



US00D947533S

(12) **United States Design Patent**
Sun et al.

(10) **Patent No.:** **US D947,533 S**
(45) **Date of Patent:** **** Apr. 5, 2022**

(54) **TOOL STORAGE BOX**
(71) Applicant: **CIXI CHENGJIA HARDWARE TOOLS CO., LTD.**, Cixi (CN)
(72) Inventors: **Chenggang Sun**, Cixi (CN); **Chao Ma**, Cixi (CN)
(**) Term: **15 Years**

D613,506 S * 4/2010 Aglassinger D3/282
D675,435 S * 2/2013 Ou D3/294
D691,802 S * 10/2013 Lin D3/282
D799,822 S * 10/2017 Kanda D3/276
D874,143 S * 2/2020 Seibert D3/294
D874,823 S * 2/2020 Christen D3/294
D877,510 S * 3/2020 Christen D3/294
D924,563 S * 7/2021 Tilly D3/282
D925,915 S * 7/2021 Austin D3/315

* cited by examiner

(21) Appl. No.: **29/789,097**

Primary Examiner — April Rivas

(22) Filed: **Aug. 31, 2021**

(30) **Foreign Application Priority Data**

Jun. 4, 2021 (CN) 202130343830.5

(51) **LOC (13) Cl.** **03-01**

(52) **U.S. Cl.**
USPC **D3/294; D3/905**

(58) **Field of Classification Search**
USPC D3/905, 273, 276, 280, 282, 284, 294,
D3/298, 302, 304
CPC B25H 3/00; B25H 3/003; B25H 3/006;
B25H 3/02; B25H 3/06
See application file for complete search history.

(56) **References Cited**

U.S. PATENT DOCUMENTS

D524,048 S * 7/2006 Singh D3/282
D528,797 S * 9/2006 Singh D3/315

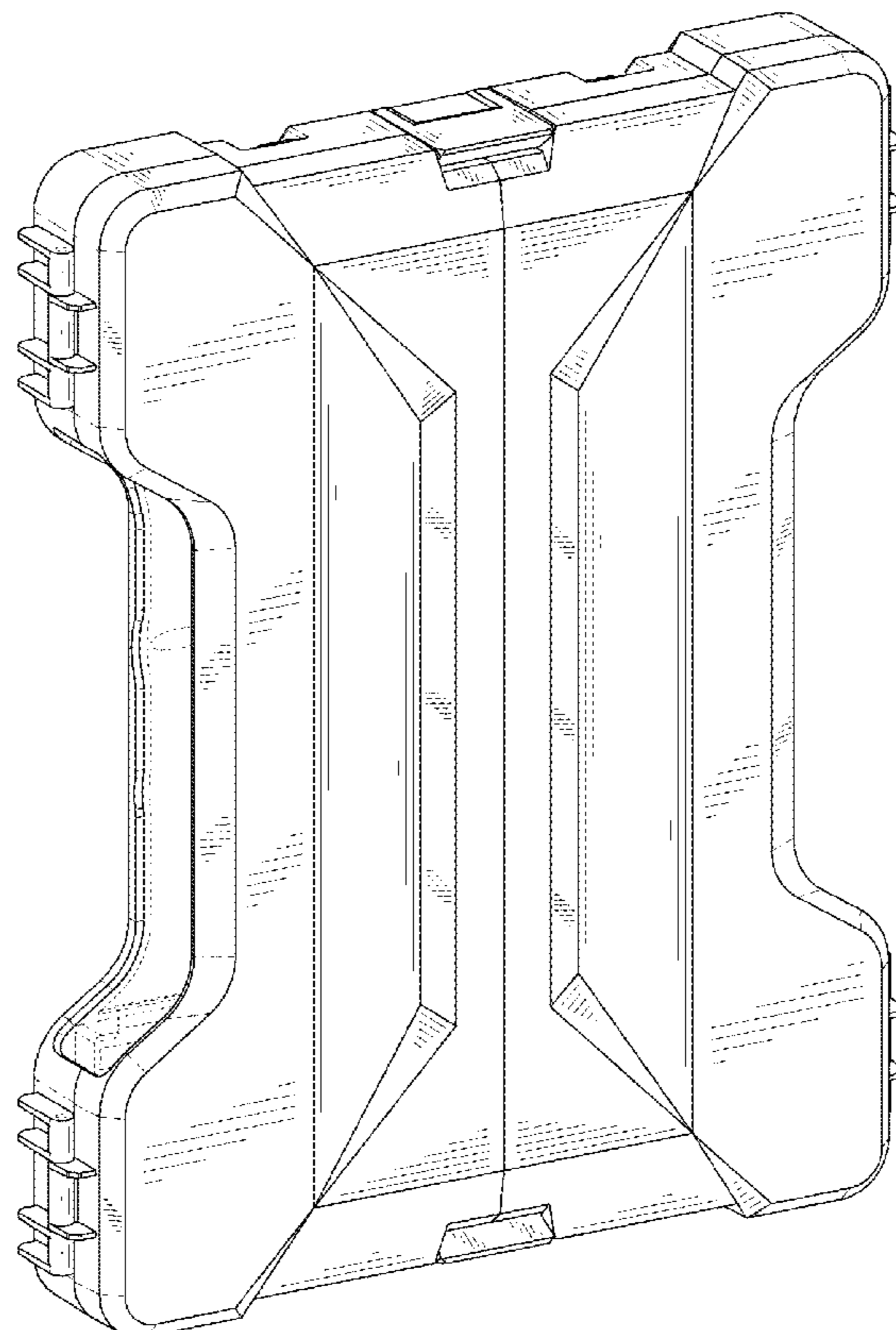
(57) **CLAIM**

The ornamental design for a tool storage box, as shown and described.

DESCRIPTION

FIG. 1 is a perspective view of a tool storage box showing our new design;
FIG. 2 is a front view thereof;
FIG. 3 is a back view thereof;
FIG. 4 is a left side view thereof;
FIG. 5 is a right side view thereof;
FIG. 6 is a top view thereof; and,
FIG. 7 is a bottom view thereof.
The broken lines shown in the drawings depict portions of the tool storage box in which the design is embodied that form no part of the claimed design.

1 Claim, 7 Drawing Sheets



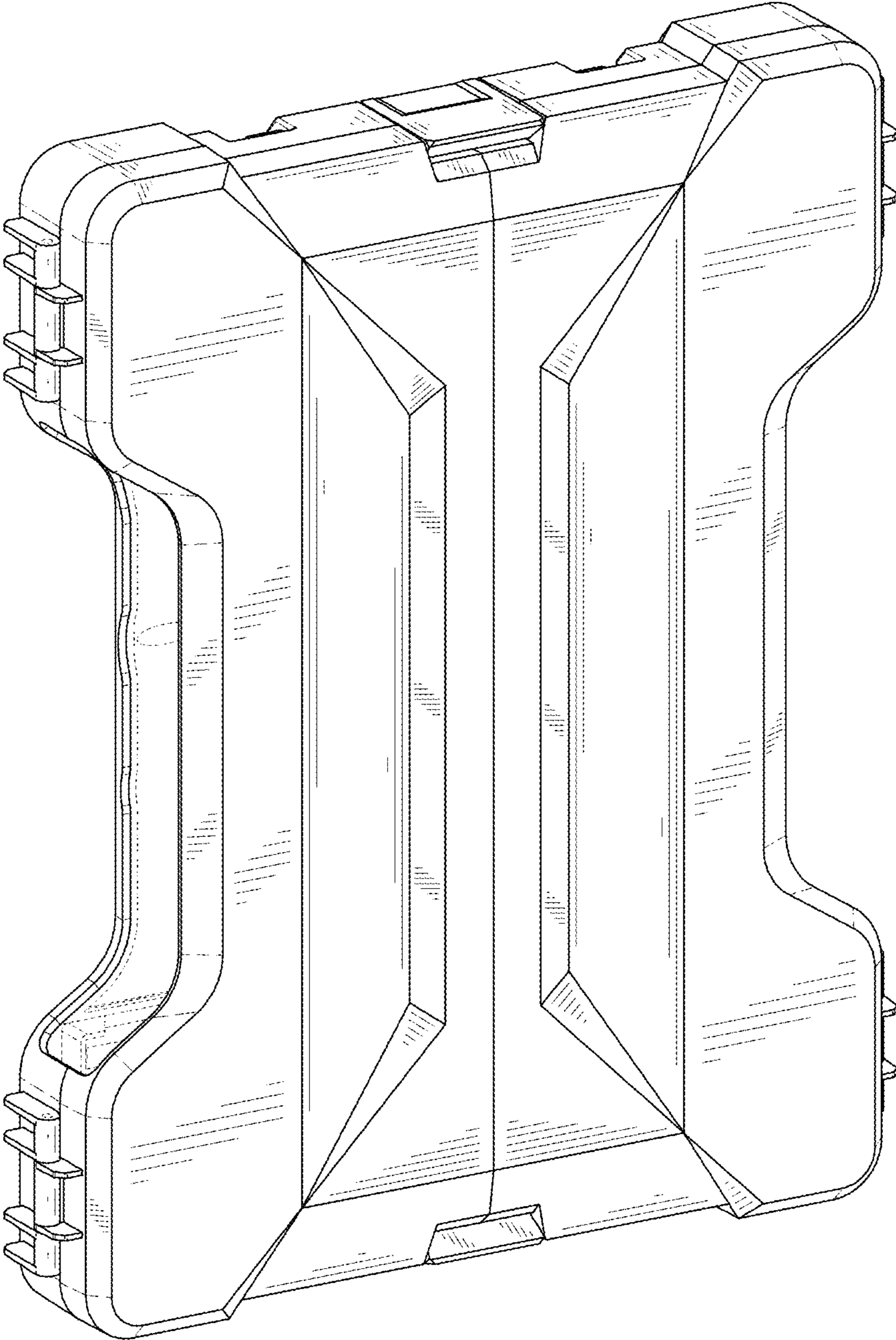


FIG. 1

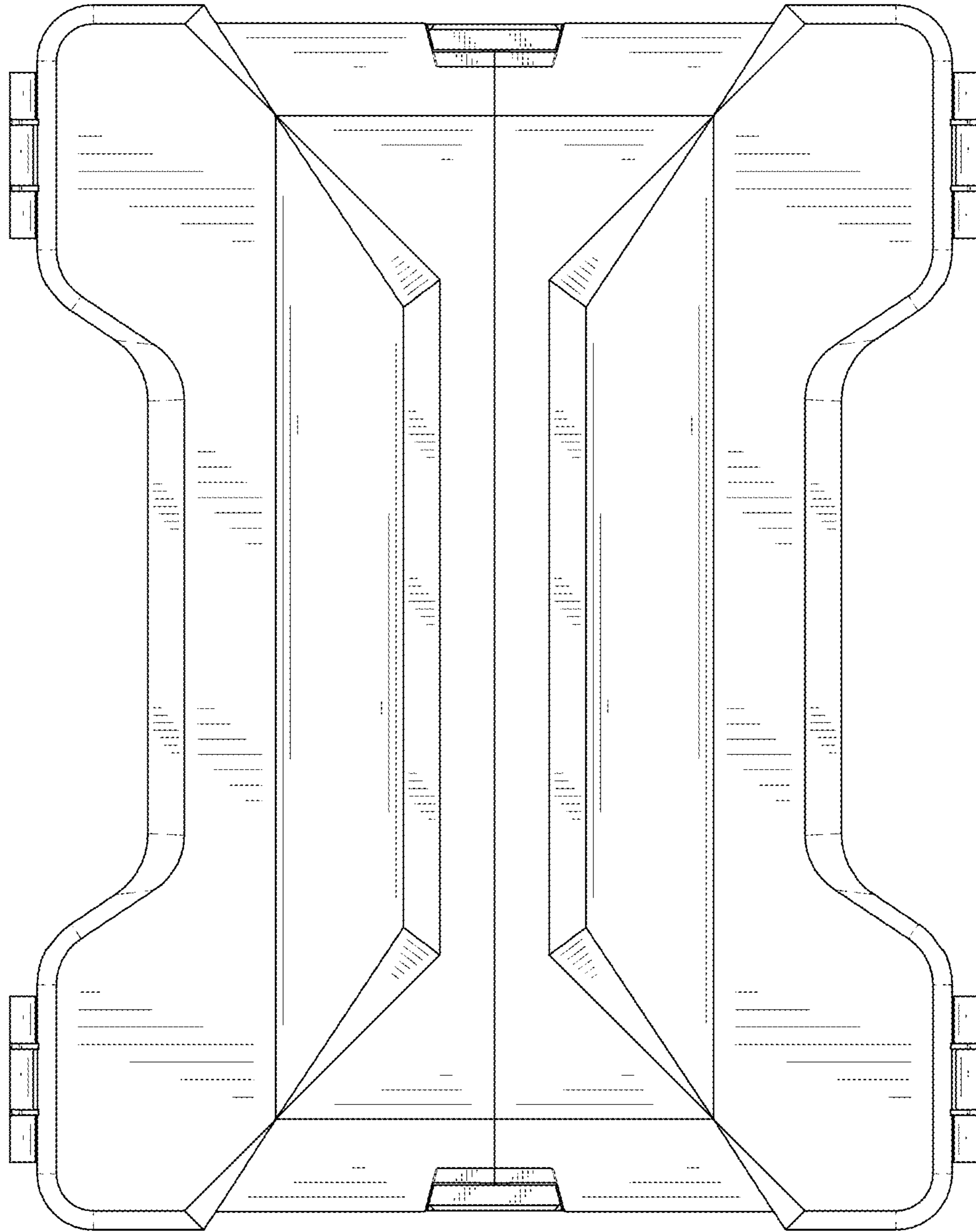


FIG. 2

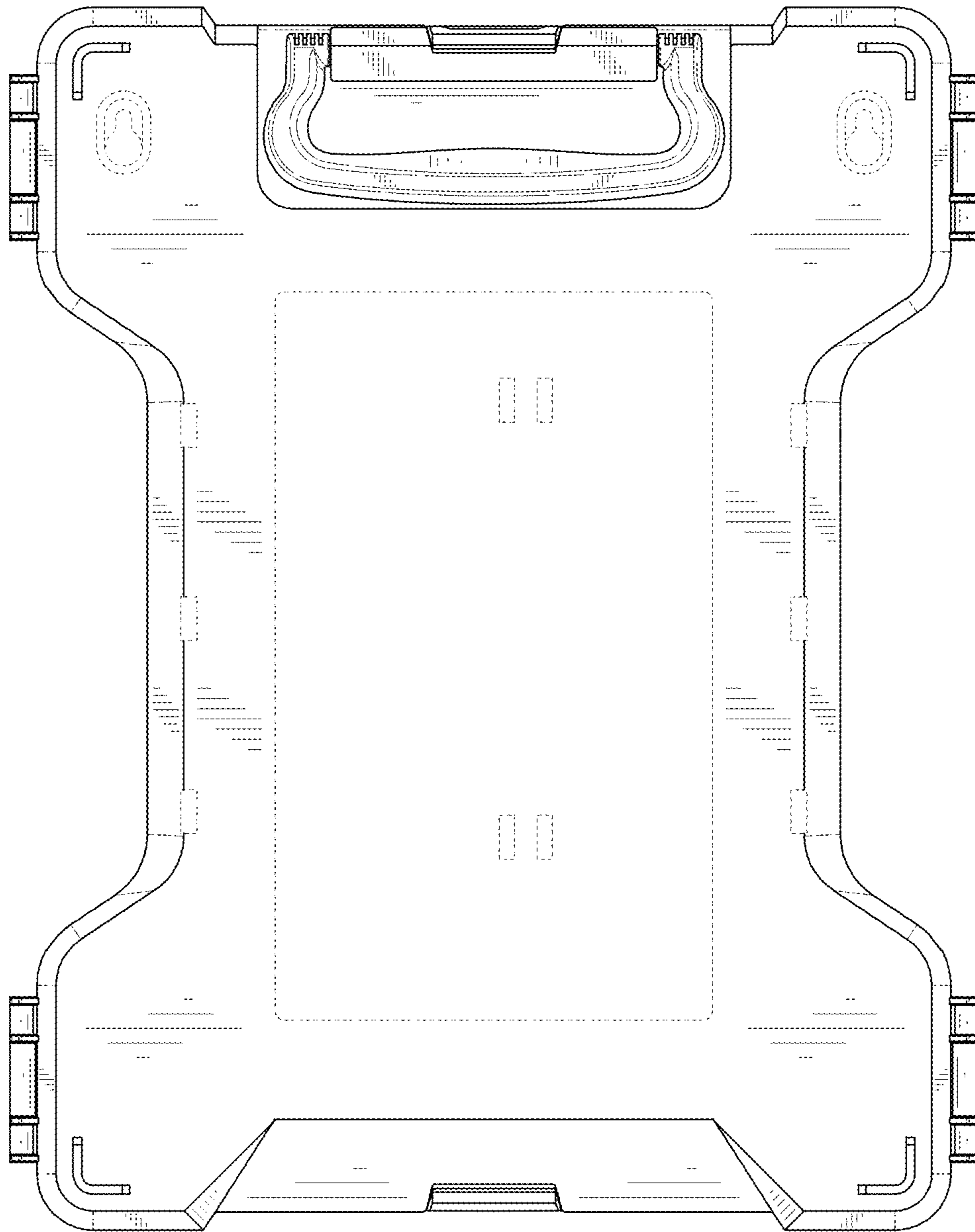


FIG. 3

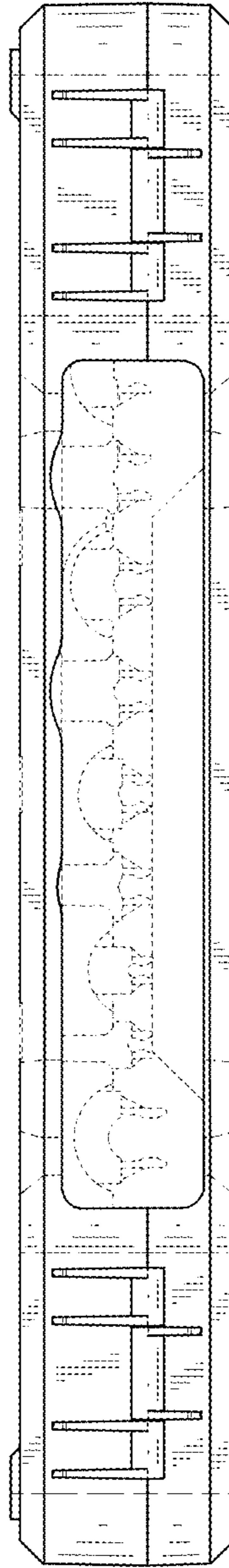


FIG. 4

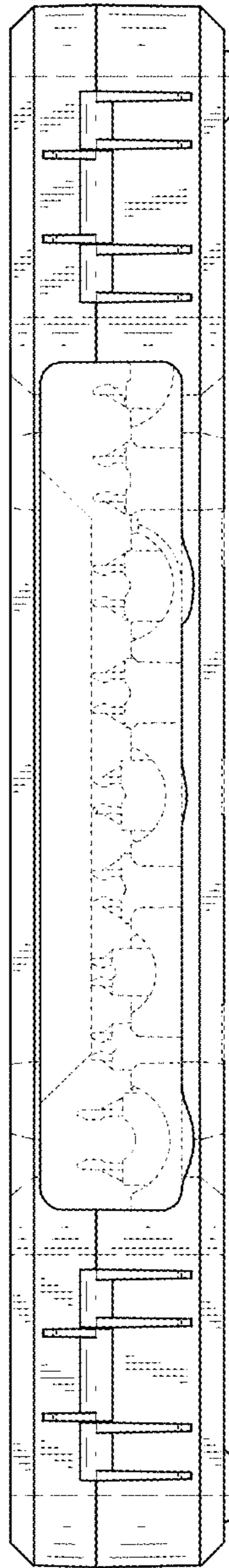


FIG. 5

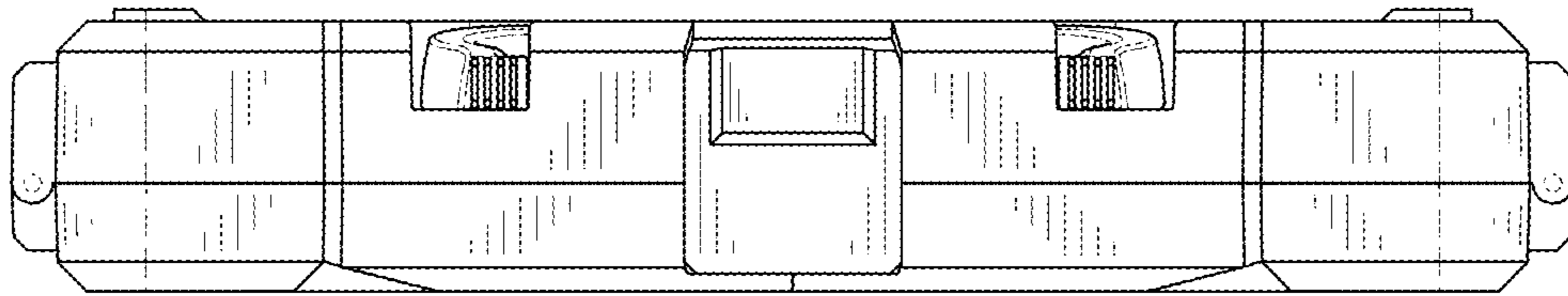


FIG. 6

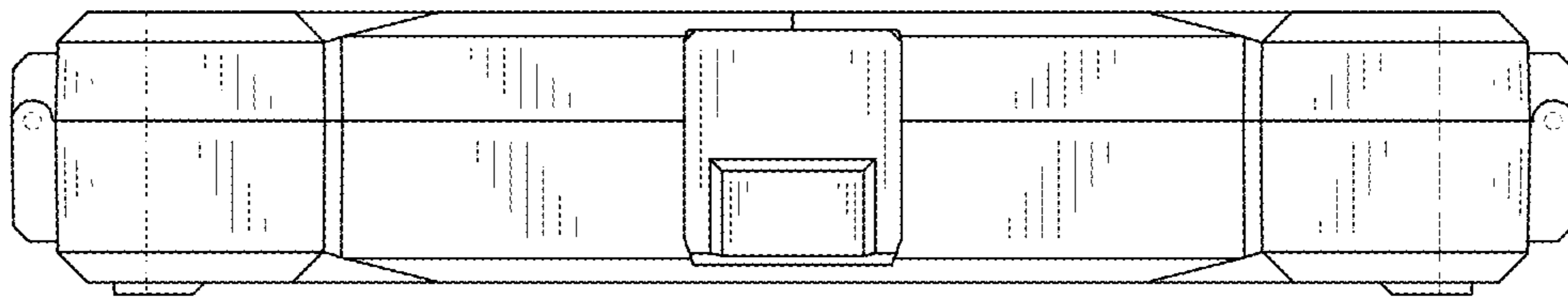


FIG. 7