



US00D947529S

(12) **United States Design Patent** (10) **Patent No.:** **US D947,529 S**  
**Mansur et al.** (45) **Date of Patent:** **\*\* Apr. 5, 2022**

(54) **HANDBAG**  
(71) Applicant: **Mansur Gavriel LLC**, New York, NY (US)  
(72) Inventors: **Rachel Mansur**, New York, NY (US); **Floriana Gavriel**, New York, NY (US)  
(73) Assignee: **Mansur Gavriel, LLC**, New York, NY (US)

D289,343 S \* 4/1987 Finger ..... D3/245  
D444,943 S \* 7/2001 Nastasi ..... D3/246  
D495,877 S \* 9/2004 Thorsen ..... D3/246  
(Continued)

(\*\*) Term: **15 Years**  
(21) Appl. No.: **29/775,803**

FOREIGN PATENT DOCUMENTS

EP 000058300 7/2003  
EP 002329201 10/2013  
EP 005824554 11/2018

(22) Filed: **Mar. 25, 2021**  
(51) **LOC (13) Cl.** ..... **03-01**  
(52) **U.S. Cl.**  
USPC ..... **D3/246**  
(58) **Field of Classification Search**  
USPC ..... D3/216–217, 232–233, 243, 245–247,  
D3/265, 273, 276, 289, 301, 318–319,  
D3/902  
CPC ..... A45C 3/08; A45C 13/08; A45C 13/02;  
A45C 7/0086; A45C 3/06  
See application file for complete search history.

OTHER PUBLICATIONS

“Pencil Bag”, mansurgavriel.com, site visited Nov. 1, 2021: <https://www.mansurgavriel.com/products/pencil-bag-leaf> (Year: 2021).\*  
(Continued)

*Primary Examiner* — Jennifer L Watkins  
*Assistant Examiner* — Samantha Lynne Brodowski  
(74) *Attorney, Agent, or Firm* — Kelley Drye & Warren LLP

(57) **CLAIM**

The ornamental design for a handbag, as shown and described.

**DESCRIPTION**

(56) **References Cited**

U.S. PATENT DOCUMENTS

D30,934 S \* 6/1899 Guyer ..... D3/265  
2,544,493 A \* 3/1951 Filenbaum ..... A45C 3/06  
150/111  
2,922,451 A \* 1/1960 White ..... A45C 3/06  
150/126  
3,186,461 A \* 6/1965 Erickson ..... A45C 3/06  
150/128  
3,279,512 A \* 10/1966 Paynor ..... A45C 13/26  
24/265 A  
3,669,169 A \* 6/1972 Lubliner ..... A45C 3/06  
150/107  
4,027,710 A \* 6/1977 Keebler ..... A45C 3/08  
150/103

FIG. 1 is a perspective view of a handbag;  
FIG. 2 is a front view of a handbag;  
FIG. 3 is a rear view of a handbag;  
FIG. 4 is a left side view of a handbag;  
FIG. 5 is a right side view of a handbag;  
FIG. 6 is a top view of a handbag; and,  
FIG. 7 is a bottom view of a handbag.  
The broken lines shown in the figures are included for the purpose of illustrating the environment in which the design is used and form no part of the claimed design. The dashed lines on the surface of the claimed design represent unclaimed stitching.

**1 Claim, 7 Drawing Sheets**



(56)

References Cited

U.S. PATENT DOCUMENTS

6,968,880	B2 *	11/2005	Battaglia .....	A45C 3/08 150/103
D535,472	S *	1/2007	Fendi .....	D3/234
D610,801	S	3/2010	Romero et al.	
D611,705	S *	3/2010	Romero .....	D3/232
D621,610	S *	8/2010	Parsley .....	D3/232
D637,810	S *	5/2011	Romero .....	D3/233
D675,819	S *	2/2013	Cyterski .....	D3/232
D724,836	S *	3/2015	Thai .....	D3/232
D772,565	S	11/2016	Gavriel et al.	
D810,442	S *	2/2018	Blaser .....	D3/318
D846,283	S *	4/2019	Blaser .....	D3/318
D848,144	S *	5/2019	Cooke .....	D3/232
D862,072	S *	10/2019	Dong .....	D3/232
D877,505	S *	3/2020	Hanover .....	D3/265
2014/0041772	A1 *	2/2014	Hayes .....	A45C 15/06 150/106

OTHER PUBLICATIONS

“Mansur Gavriel Debuts New Must-Have Shoulder Bag, the Pencil Case”, first available Apr. 8, 2021, hypebae.com, site visited Nov. 1, 2021: <https://hypebae.com/2021/4/mansur-gavriel-pencil-case-handbag-shoulder-accessories-price-where-to-buy> (Year: 2021).\*

Louis Vuitton Beaubourg bag found at: <https://us.louisvuitton.com/eng-us/products/beaubourg-mm-damier-ebene-nvprod1560051v>.

Louis Vuitton Messenger Triangle Turquoise 2way Leather Blue / Monogram / Monogram Shoulder Bag found at: [https://www.tradesy.com/t/louis-vuitton-messenger-triangle-turquoise-2way-leather-blue-monogram-monogram-shoulder-bag/28084012/?utm\\_source=gpl&utm\\_medium=cpc&utm\\_campaign=Smart%20Shopping%20-%20Bags%20-%20Shoulder%20Bags%20-%20High%20AOV&utm\\_content=Shoulder%20Bags%20-%20High%20AOV&utm\\_term=&cmpgnid=12294332380&adgrpid=116318831454&gclid=CjwKCAjw6fCCBhBNEiwAem5SO3w3DwitpbjkFxr-V4WQPvyKxpGrGjlyQj75v\\_9\\_UeqdVFXCoY4mqRoCfL0QAvD\\_BwE](https://www.tradesy.com/t/louis-vuitton-messenger-triangle-turquoise-2way-leather-blue-monogram-monogram-shoulder-bag/28084012/?utm_source=gpl&utm_medium=cpc&utm_campaign=Smart%20Shopping%20-%20Bags%20-%20Shoulder%20Bags%20-%20High%20AOV&utm_content=Shoulder%20Bags%20-%20High%20AOV&utm_term=&cmpgnid=12294332380&adgrpid=116318831454&gclid=CjwKCAjw6fCCBhBNEiwAem5SO3w3DwitpbjkFxr-V4WQPvyKxpGrGjlyQj75v_9_UeqdVFXCoY4mqRoCfL0QAvD_BwE).

\* cited by examiner



FIG. 1

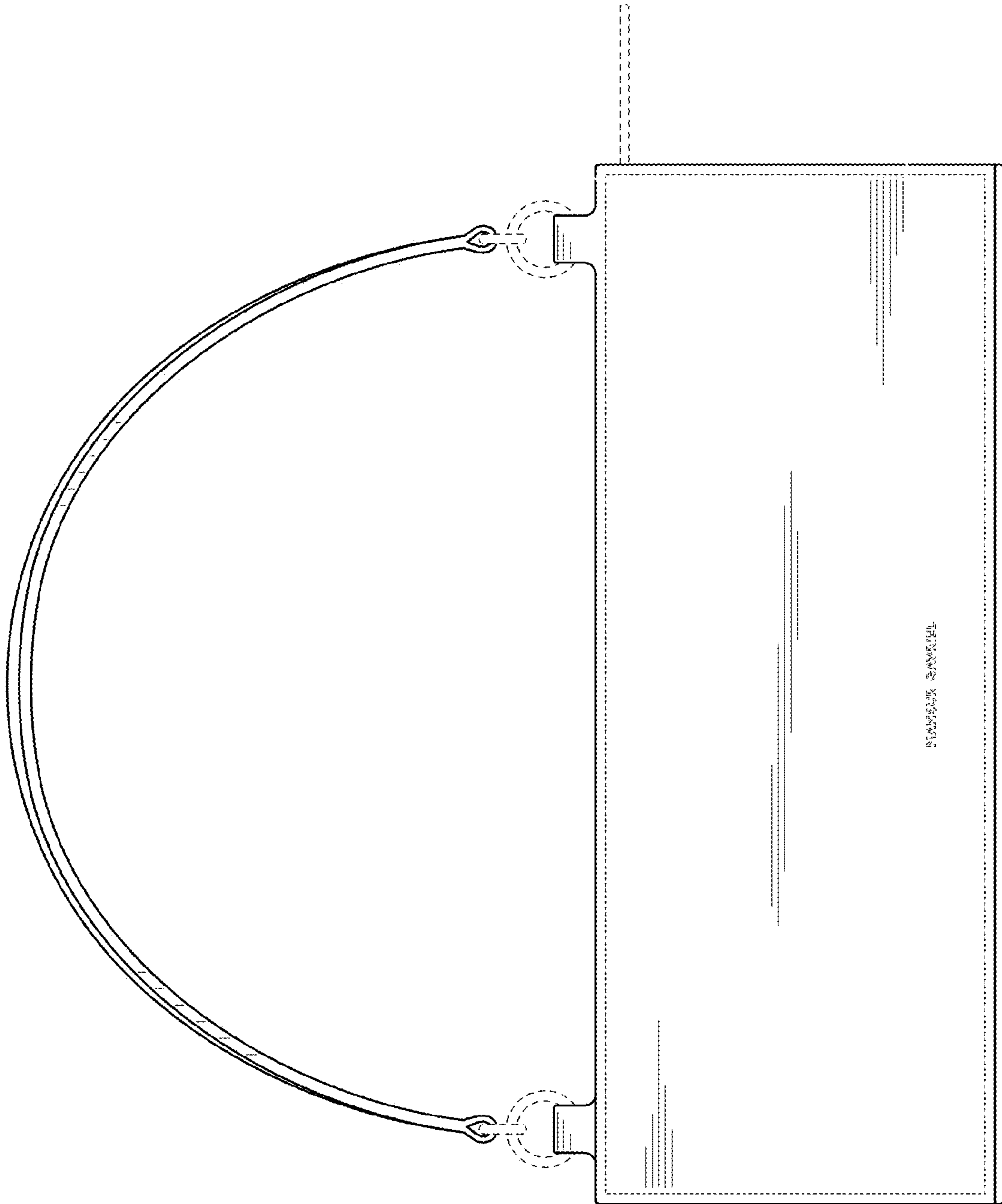


FIG. 2



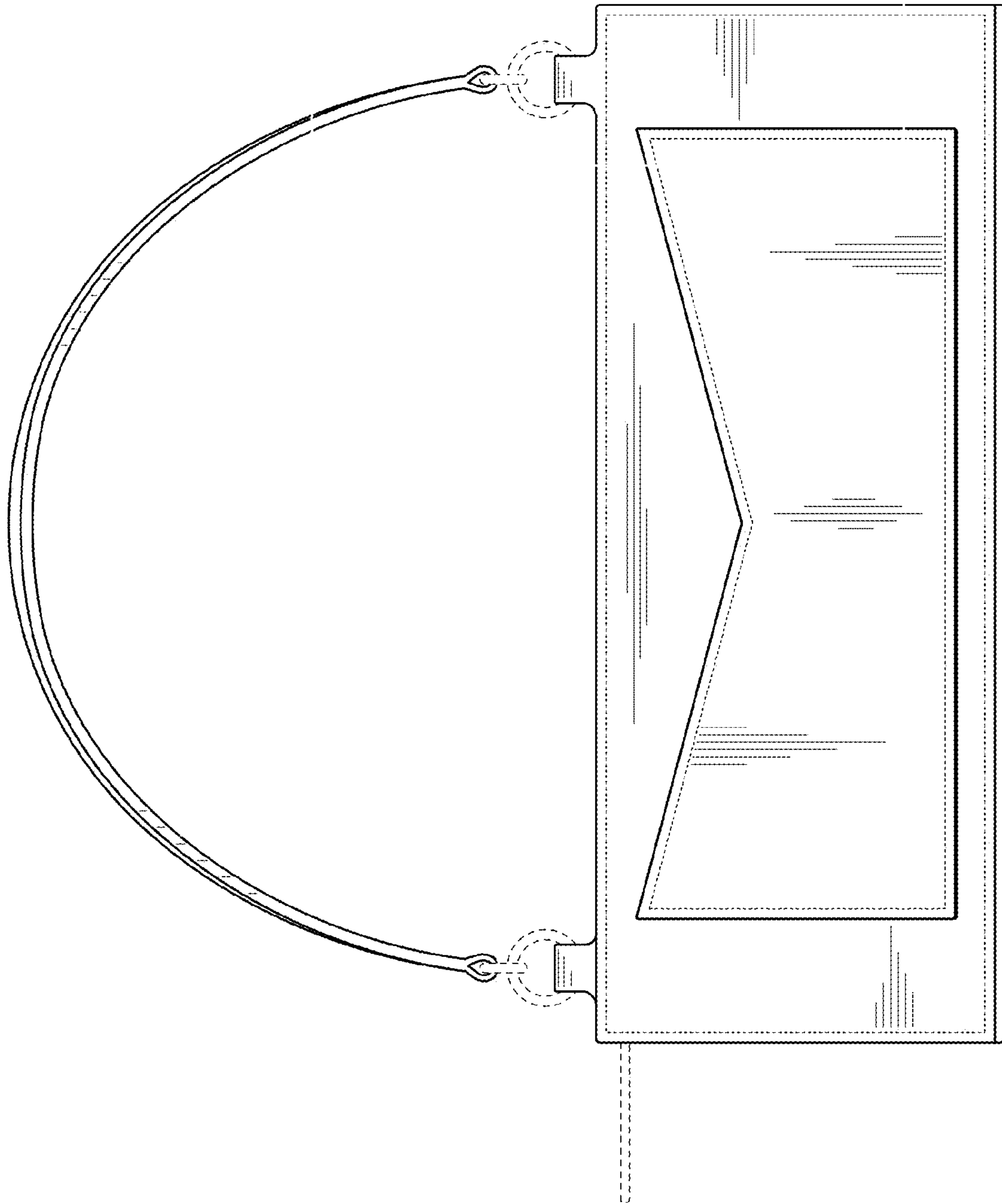


FIG. 3

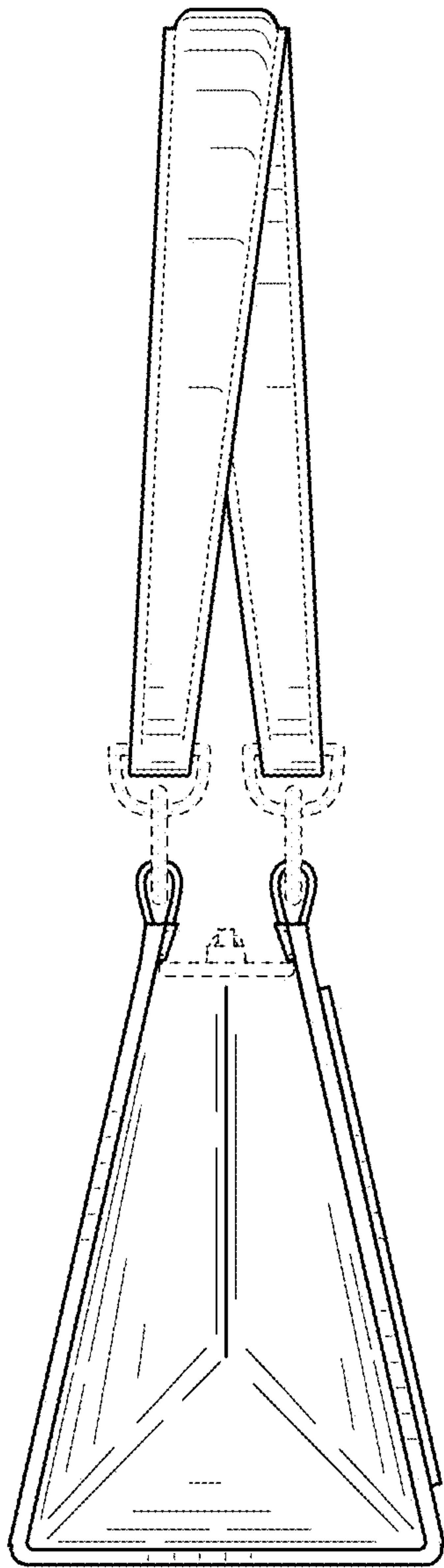


FIG. 4

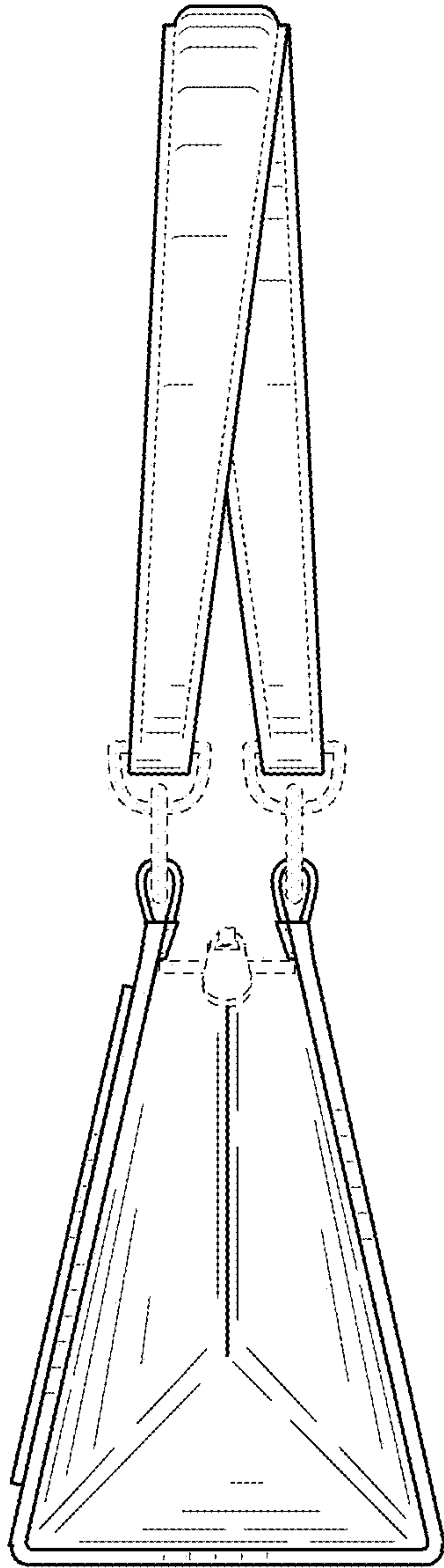


FIG. 5

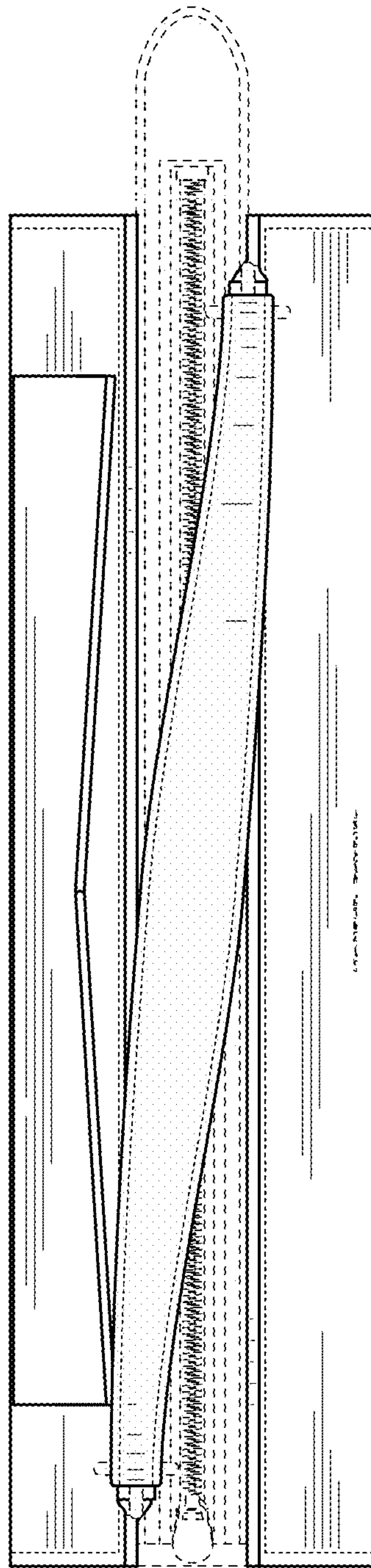


FIG. 6



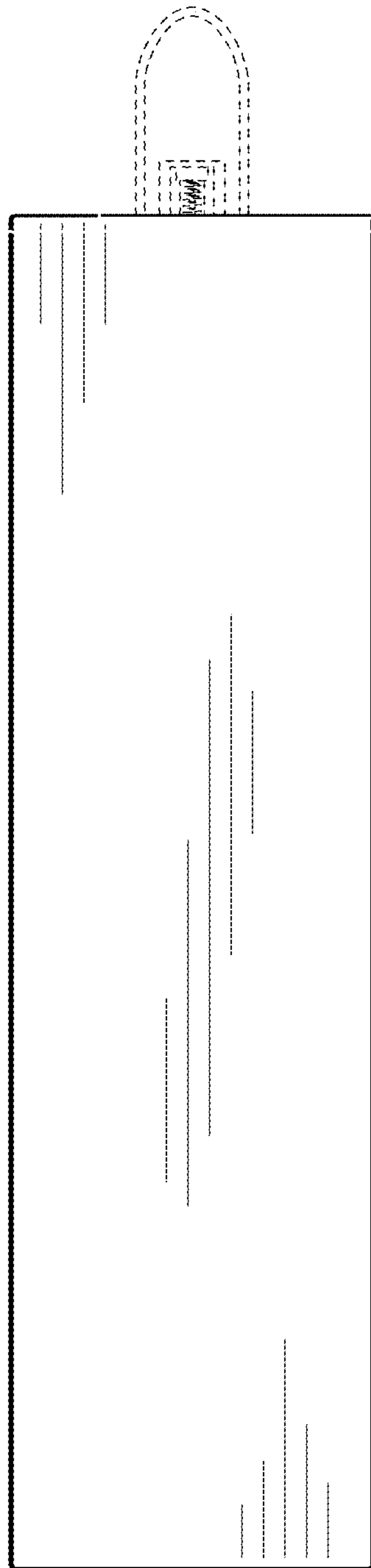


FIG. 7