



US00D947526S

(12) **United States Design Patent**
Sirichai

(10) **Patent No.:** **US D947,526 S**

(45) **Date of Patent:** **** Apr. 5, 2022**

(54) **UNIVERSAL ARMBAND ASSEMBLY**

(71) Applicant: **Saharut Sirichai**, Bangkok (TH)

(72) Inventor: **Saharut Sirichai**, Bangkok (TH)

(73) Assignee: **World Richman Manufacturing Corporation**, Elgin, IL (US)

(**) Term: **15 Years**

(21) Appl. No.: **29/712,175**

(22) Filed: **Nov. 6, 2019**

(51) **LOC (13) Cl.** **03-01**

(52) **U.S. Cl.**

USPC **D3/218**

(58) **Field of Classification Search**

USPC D10/30-39, 122, 123, 124, 128, 129,
D10/130, 131; D11/3-5, 26, 93-94;
D14/138 G, 138 R, 144, 253, 341, 344,
D14/358, 388, 447; D3/215, 218, 219,
D3/227, 269, 303

CPC A45F 5/00; A45F 5/02; A45F 2005/008;
A45F 2200/0516; A45C 1/04; A45C
13/30; A61B 5/681; G04B 19/02; G04B
19/23; G04B 19/24; G04B 19/247; G04B
37/0008; G04B 37/22; G04B 47/00;
G04B 47/06; G04B 47/063; G04C 3/008;
G04C 11/00; G04C 17/00; G04C
17/0066; G04C 21/00; G06F 1/163; G06F
3/041; G04G 9/00; G04G 9/0064; G04G
9/0076; G04G 21/08; F16B 1/00

See application file for complete search history.

(56) **References Cited**

U.S. PATENT DOCUMENTS

4,135,653 A * 1/1979 Sieloff A45F 5/00
224/222
D541,042 S * 4/2007 Andre D3/218
D623,404 S * 9/2010 Andre D3/218

D628,375 S * 12/2010 Andre D3/218
D707,231 S * 6/2014 Sirichai D14/447
D707,233 S * 6/2014 Sirichai D14/447
8,857,683 B2 * 10/2014 Cameron A45F 5/00
224/267
9,615,650 B2 * 4/2017 Soriano A45F 5/00
9,926,953 B2 * 3/2018 Russell-Clarke F16B 1/00

(Continued)

Primary Examiner — Janice Hallmark

(74) *Attorney, Agent, or Firm* — Christopher J. Scott

(57) **CLAIM**

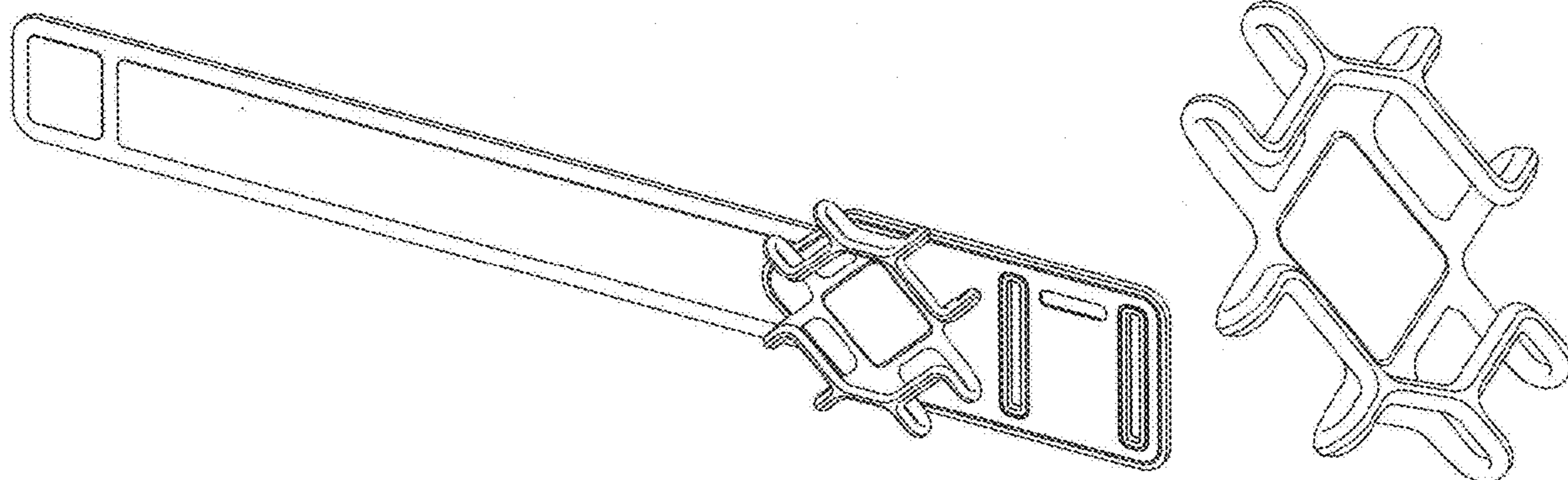
The ornamental design for a universal armband assembly, as shown and described.

DESCRIPTION

FIG. 1 is a back and first side perspective view of a universal armband assembly;
FIG. 2 is a front and first side perspective view thereof;
FIG. 3 is a back elevation view thereof;
FIG. 4 is a front elevation view thereof;
FIG. 5 is a top plan view thereof;
FIG. 6 is a bottom plan view thereof;
FIG. 7 is a first side elevation view thereof;
FIG. 8 is a second side elevation view thereof;
FIG. 9 is a front and first side perspective view thereof, shown in a condition of use with a portable device depicted in broken lines to illustrate environment;
FIG. 10 is a bottom and back perspective view of the universal armband assembly;
FIG. 11 is a bottom and front perspective view thereof;
FIG. 12 is a back elevation view thereof;
FIG. 13 is a front elevation view thereof;
FIG. 14 is a first side elevation view thereof;
FIG. 15 is a second side elevation view thereof;
FIG. 16 is a top plan view thereof; and,
FIG. 17 is a bottom plan view thereof.

The broken lines showing a portable device in FIG. 9 represent environmental structure and form no part of the claimed design.

1 Claim, 8 Drawing Sheets



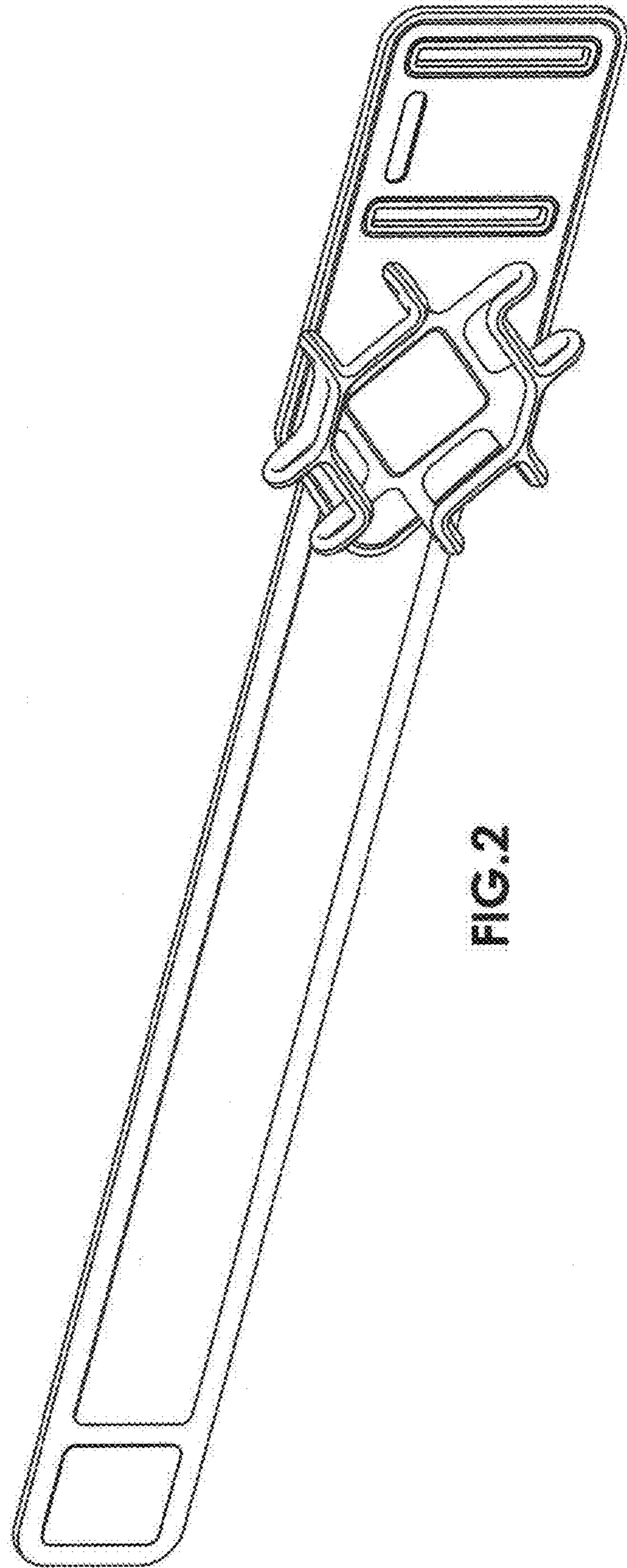
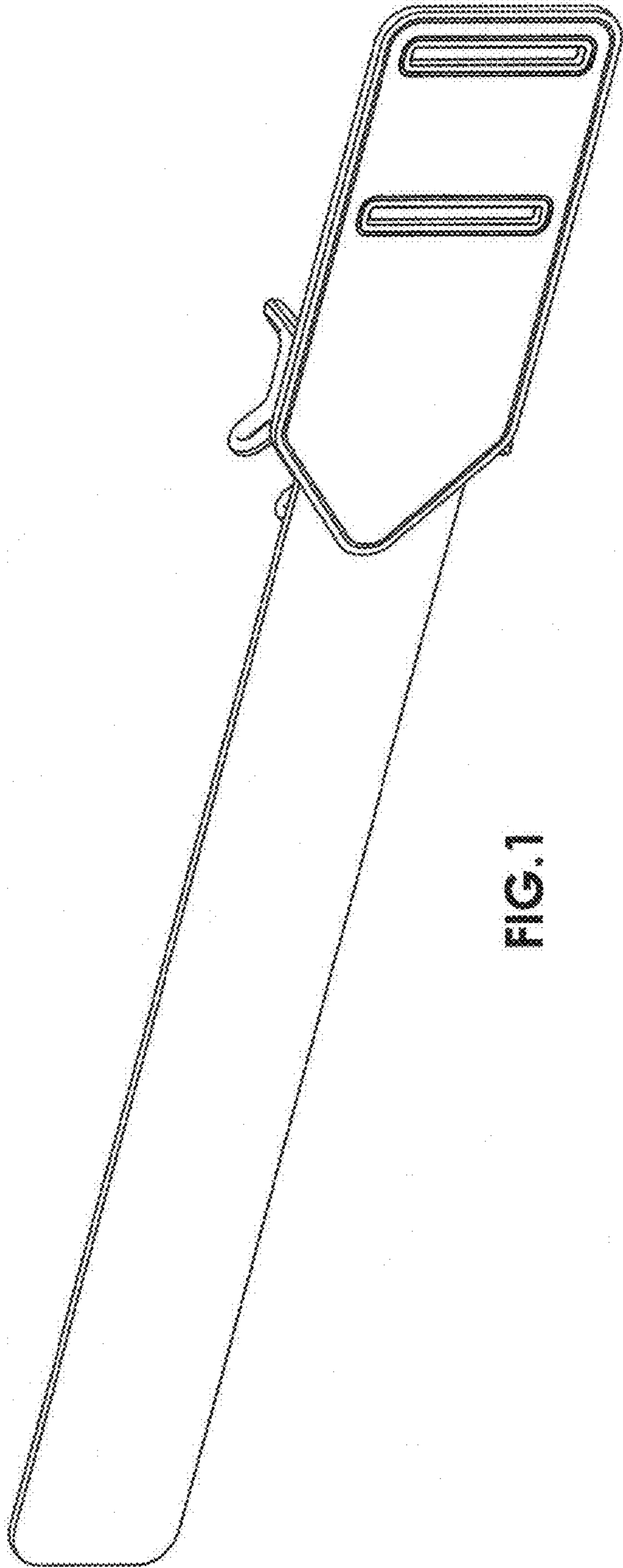
(56)

References Cited

U.S. PATENT DOCUMENTS

D821,743	S *	7/2018	Cao	D3/218
D852,793	S *	7/2019	Zhou	D14/253
10,362,855	B2 *	7/2019	Whang	A45F 5/00
D860,640	S *	9/2019	Xu	D3/218
11,197,533	B2 *	12/2021	Sirichai	A45F 5/00
2021/0127816	A1 *	5/2021	Sirichai	A45F 5/00

* cited by examiner



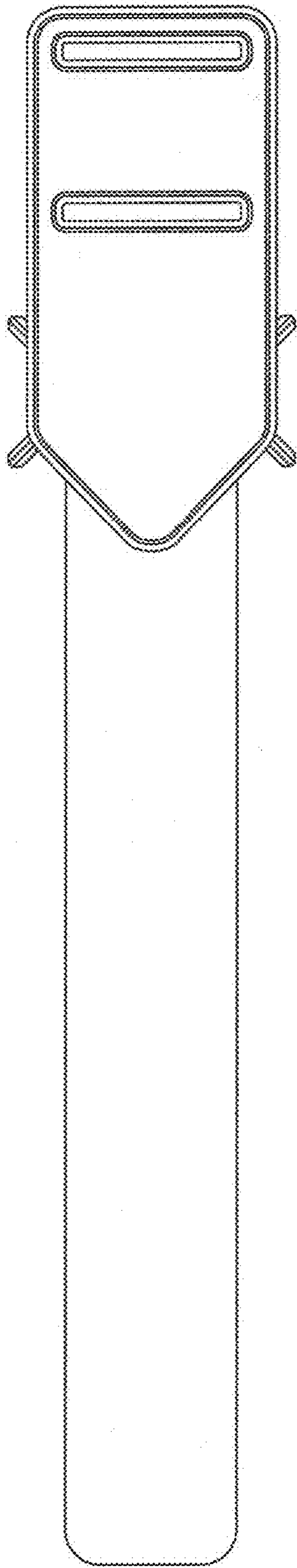


FIG. 3

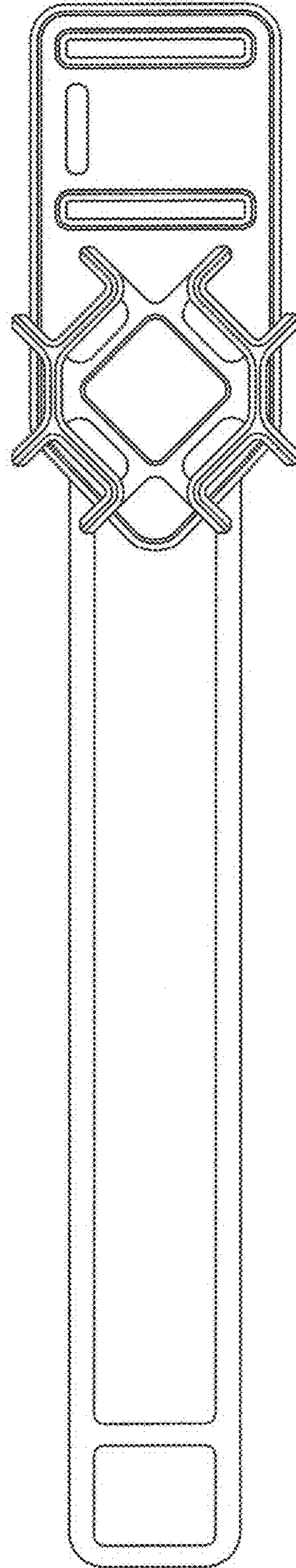


FIG. 4

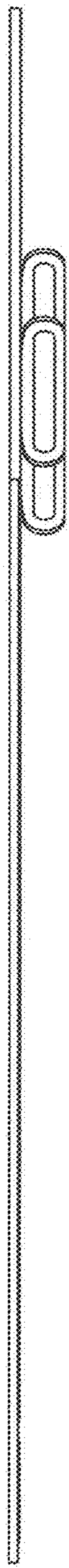


FIG. 5



FIG. 6

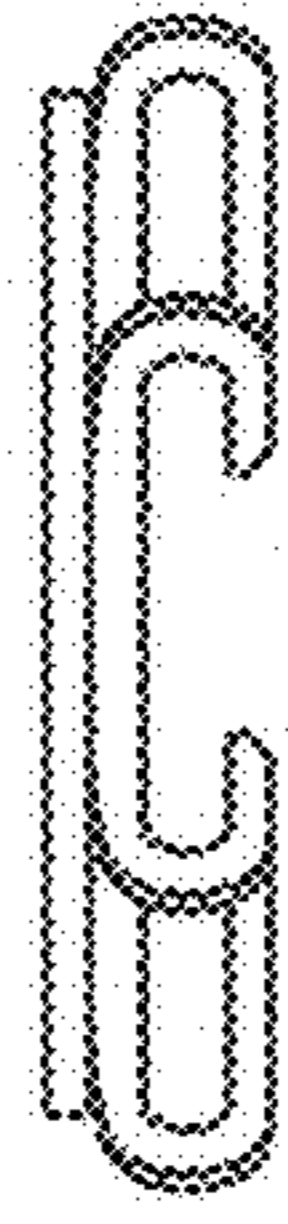


FIG. 7



FIG. 8

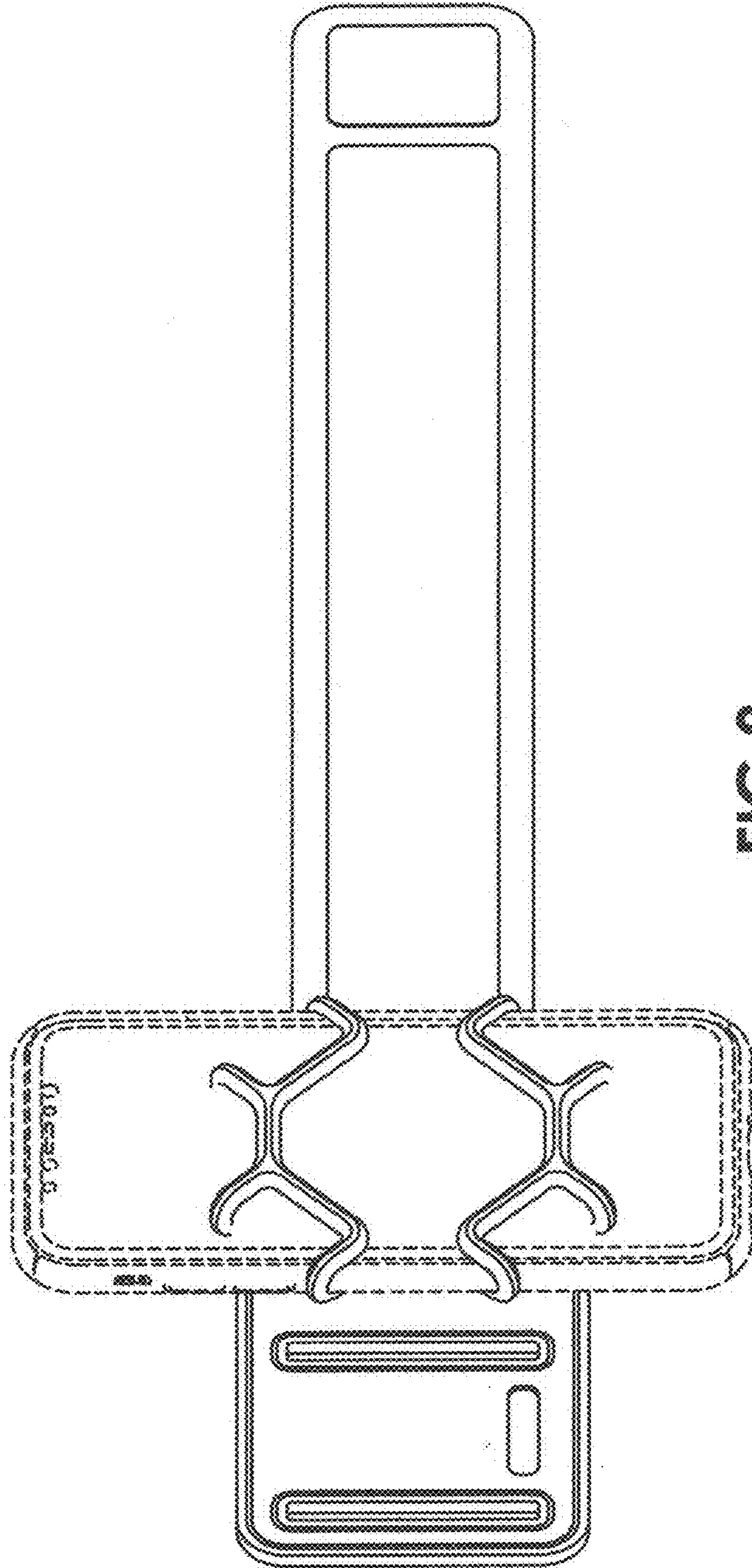


FIG. 9

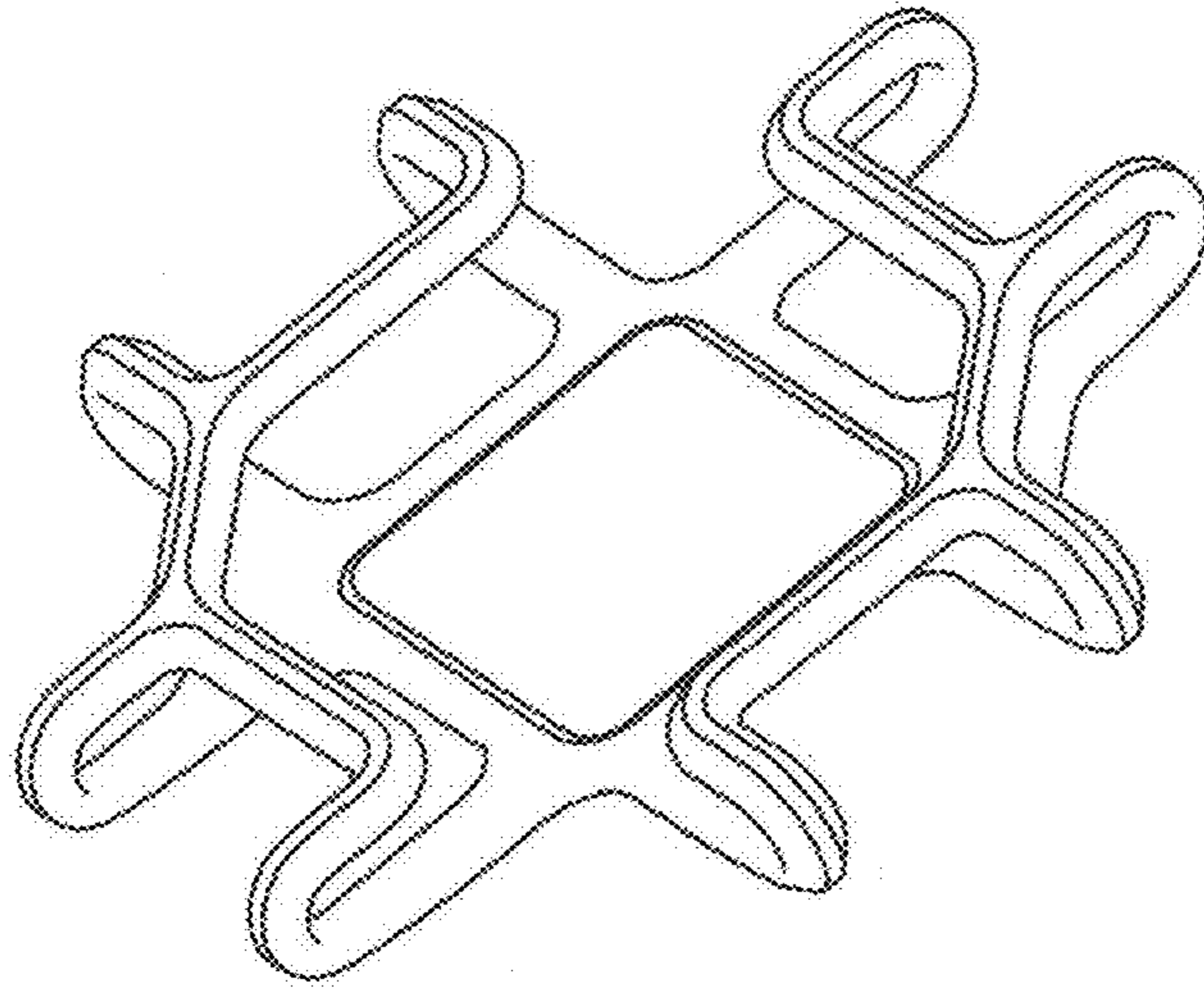


FIG.11

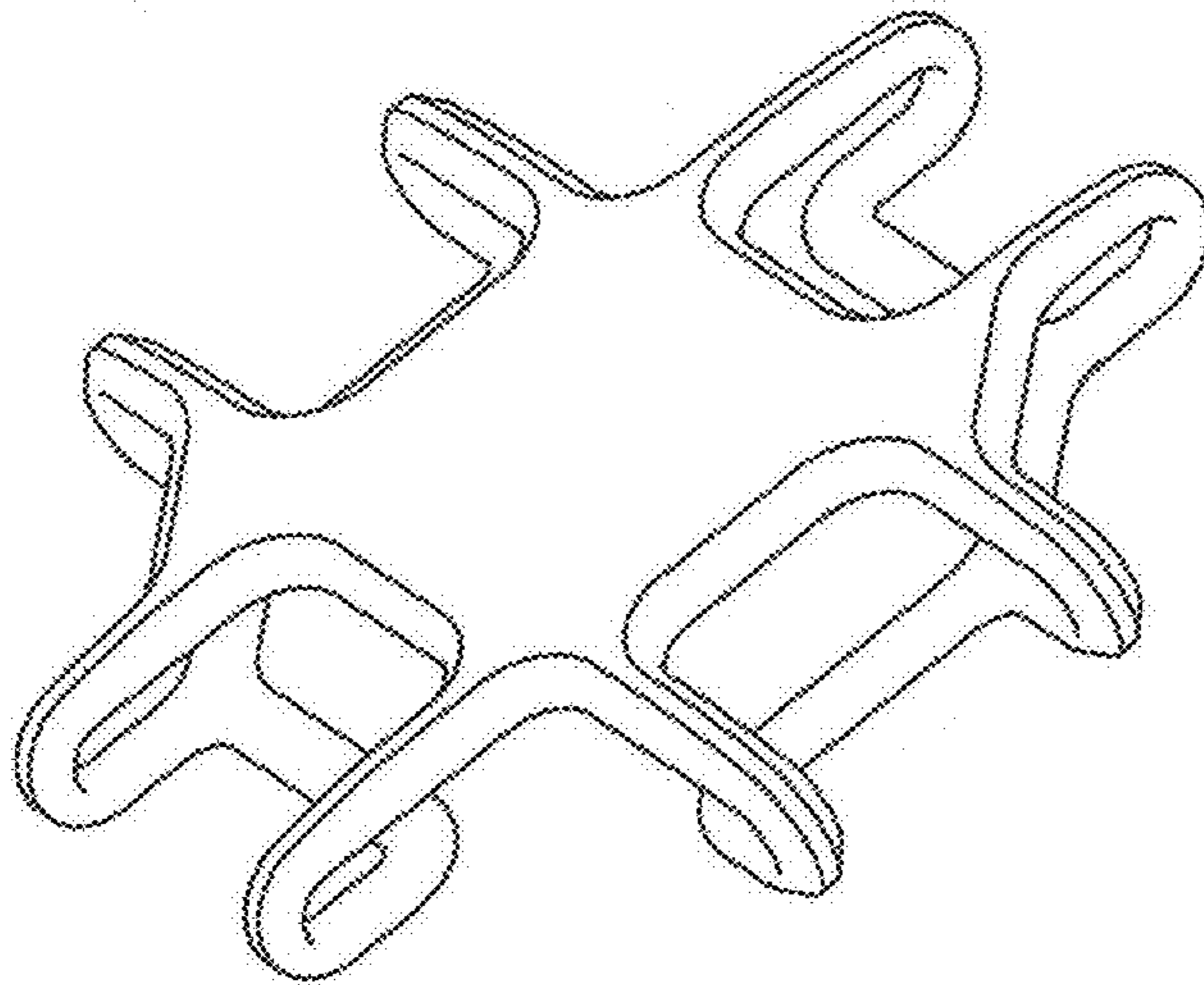


FIG.10

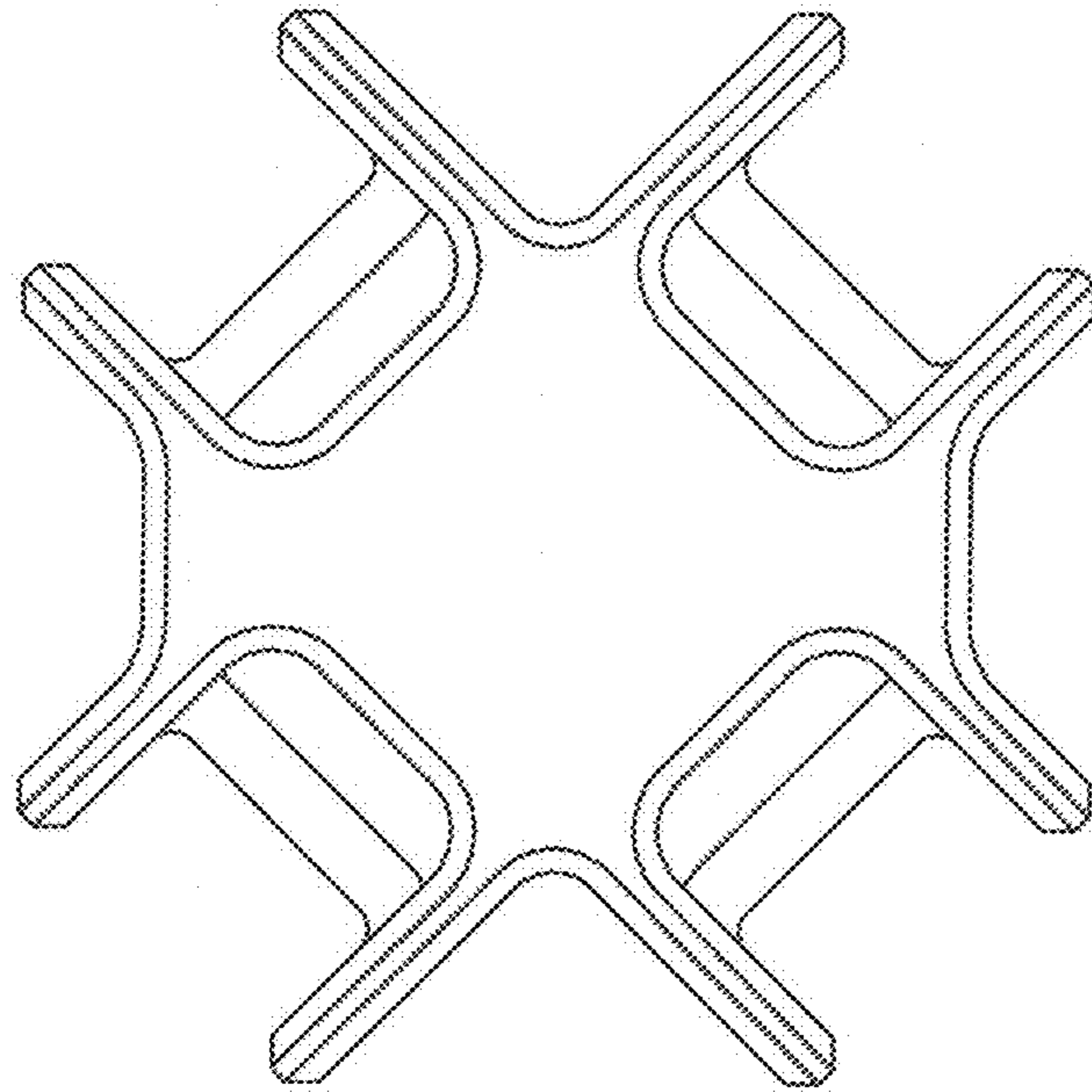


FIG. 13

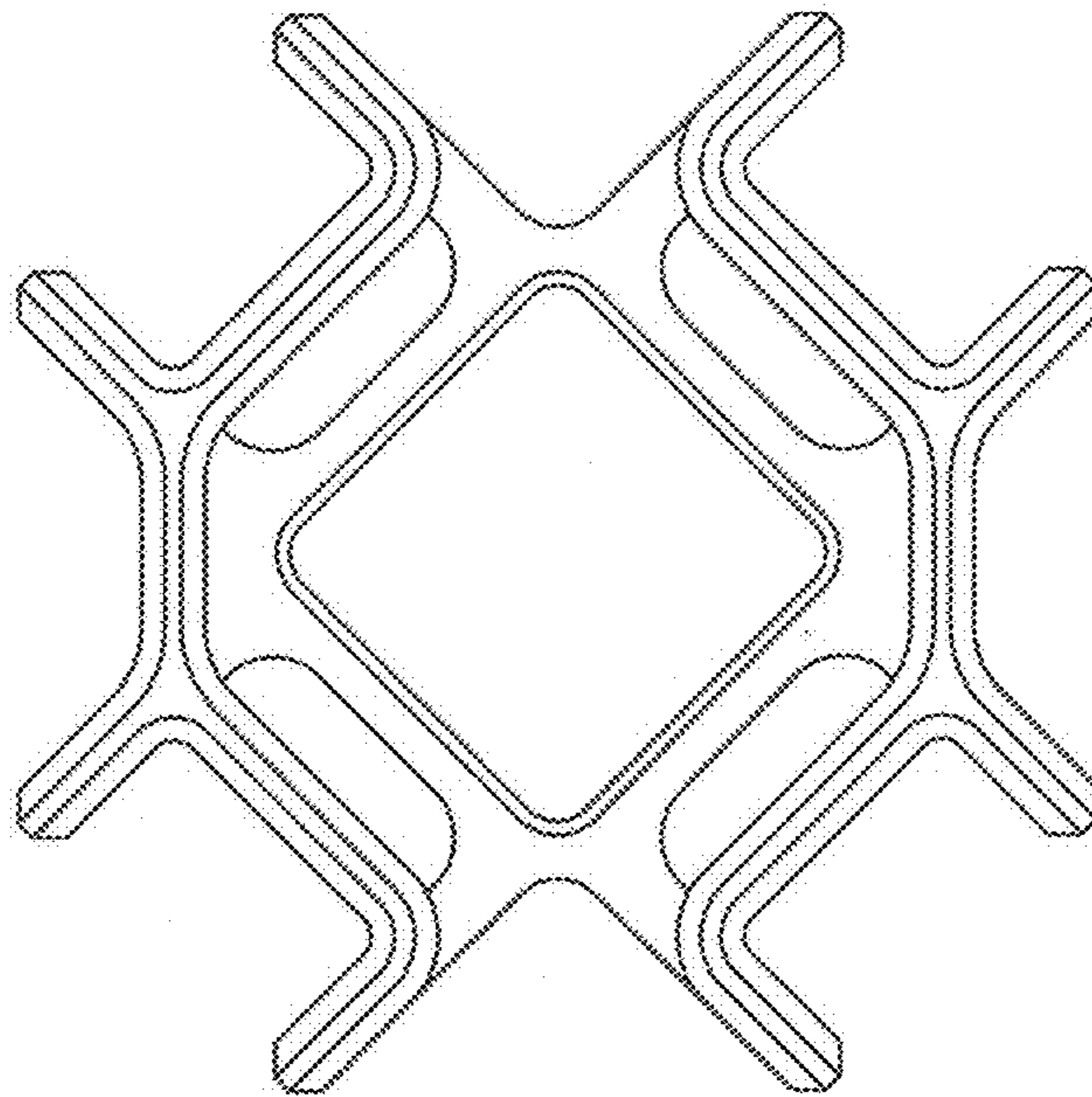


FIG. 12

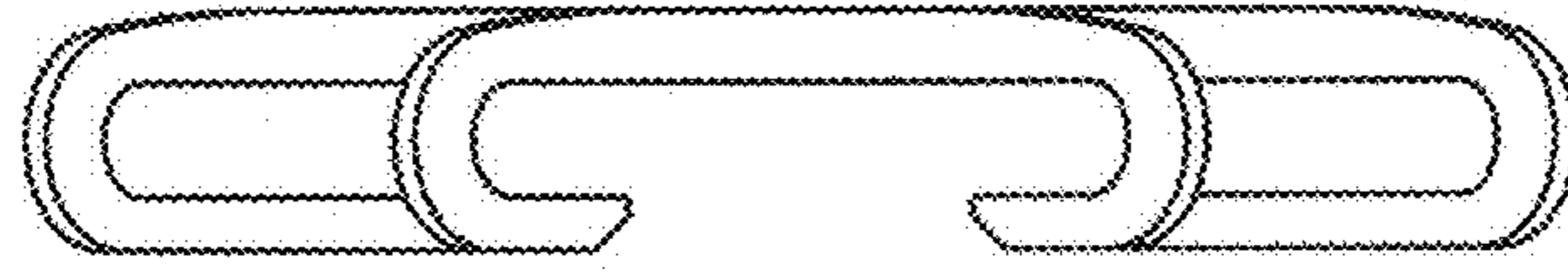


FIG. 14

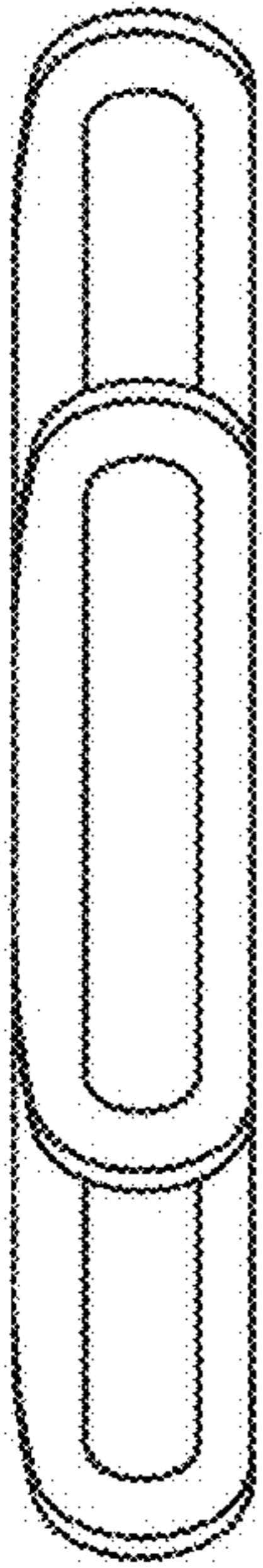


FIG. 16

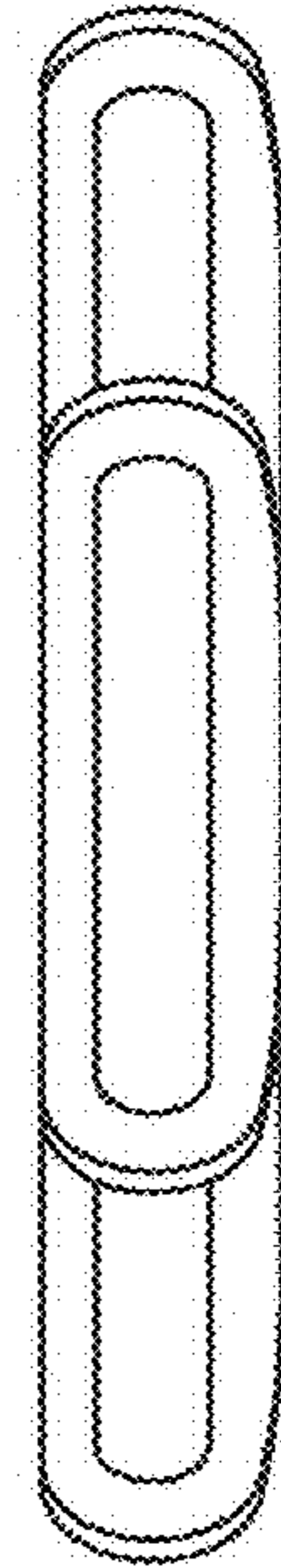


FIG. 17



FIG. 15