



US00D947525S

(12) **United States Design Patent** (10) **Patent No.:** **US D947,525 S**
Liao (45) **Date of Patent:** **** Apr. 5, 2022**

(54) **BACKPACK**
(71) Applicant: **Wenshu Liao**, Hunan Province (CN)
(72) Inventor: **Wenshu Liao**, Hunan Province (CN)
(**) Term: **15 Years**
(21) Appl. No.: **29/770,303**
(22) Filed: **Feb. 11, 2021**
(51) **LOC (13) Cl.** **03-01**
(52) **U.S. Cl.**
USPC **D3/217**
(58) **Field of Classification Search**
USPC D3/216, 217, 243
CPC A45F 3/04; A45F 2003/003; A45F 4/02;
A45F 5/021; Y10S 224/92; Y10S 16/40;
Y10S 224/922; Y10S 383/907; A01K
97/06; A45C 11/20; A45C 5/06; A45C
11/02; A45C 13/02; A45C 13/08; A45C
3/00; A45C 7/0063
See application file for complete search history.

2011/0309124 A1* 12/2011 Dubois A45F 3/04
224/628
2012/0018479 A1* 1/2012 Thibadeau, Jr. A45F 3/047
224/637
2013/0043292 A1* 2/2013 White A45F 3/047
224/607
2014/0069978 A1* 3/2014 Callison A63C 11/025
224/628

* cited by examiner

Primary Examiner — Jennifer L Watkins

(57) **CLAIM**

The ornamental design for a backpack, as shown and described.

DESCRIPTION

FIG. 1 is a front and top perspective view of a backpack, showing my new design;
FIG. 2 is a front elevation view thereof;
FIG. 3 is a rear elevation view thereof;
FIG. 4 is a left side elevation view thereof;
FIG. 5 is a right side elevation view thereof;
FIG. 6 is a top plan view thereof;
FIG. 7 is a bottom plan view thereof; and,
FIG. 8 is an enlarged detail view of encircled portion by broken lines in FIG. 1.

The broken lines in the figures illustrate portions of the backpack that form no part of the claimed design. The dash dot dash lines in FIGS. 1, and 8 are for the purpose of depicting the boundary lines of the enlarged views and form no part of the claimed design.

1 Claim, 8 Drawing Sheets

(56) **References Cited**
U.S. PATENT DOCUMENTS
D805,761 S * 12/2017 Garcia D3/216
D810,424 S * 2/2018 Tobias D3/217
D890,516 S * 7/2020 Jacobsen D3/217
D903,307 S 12/2020 Rabe et al.
D912,973 S * 3/2021 Wang D3/217
D919,287 S * 5/2021 He D3/217
D922,762 S * 6/2021 He D3/217
D923,327 S * 6/2021 Wen D3/217
2003/0024960 A1* 2/2003 Greenstein A45F 3/047
224/153
2006/0289586 A1* 12/2006 Gregory A45F 3/04
224/627



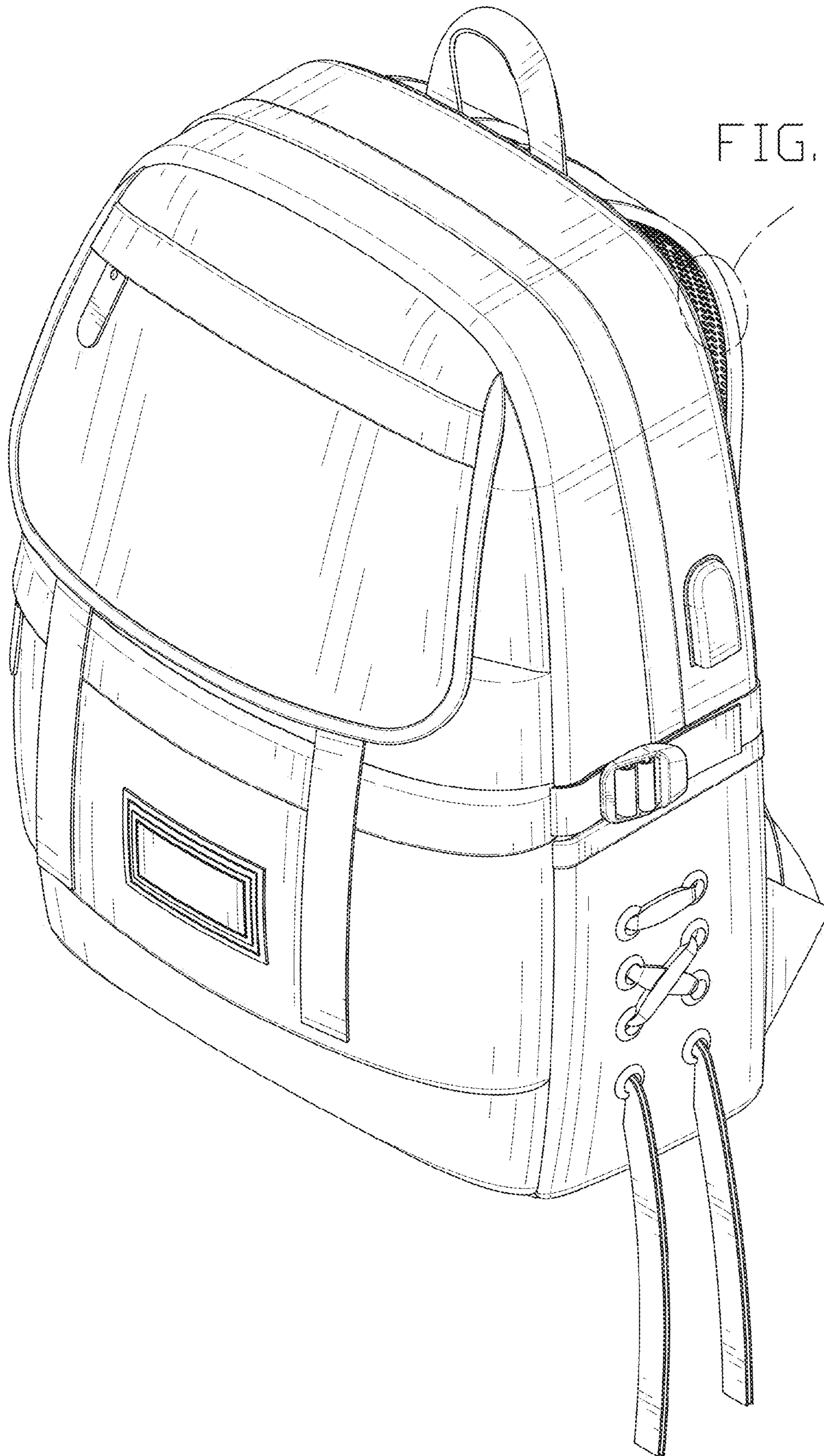


FIG. 8

FIG. 1

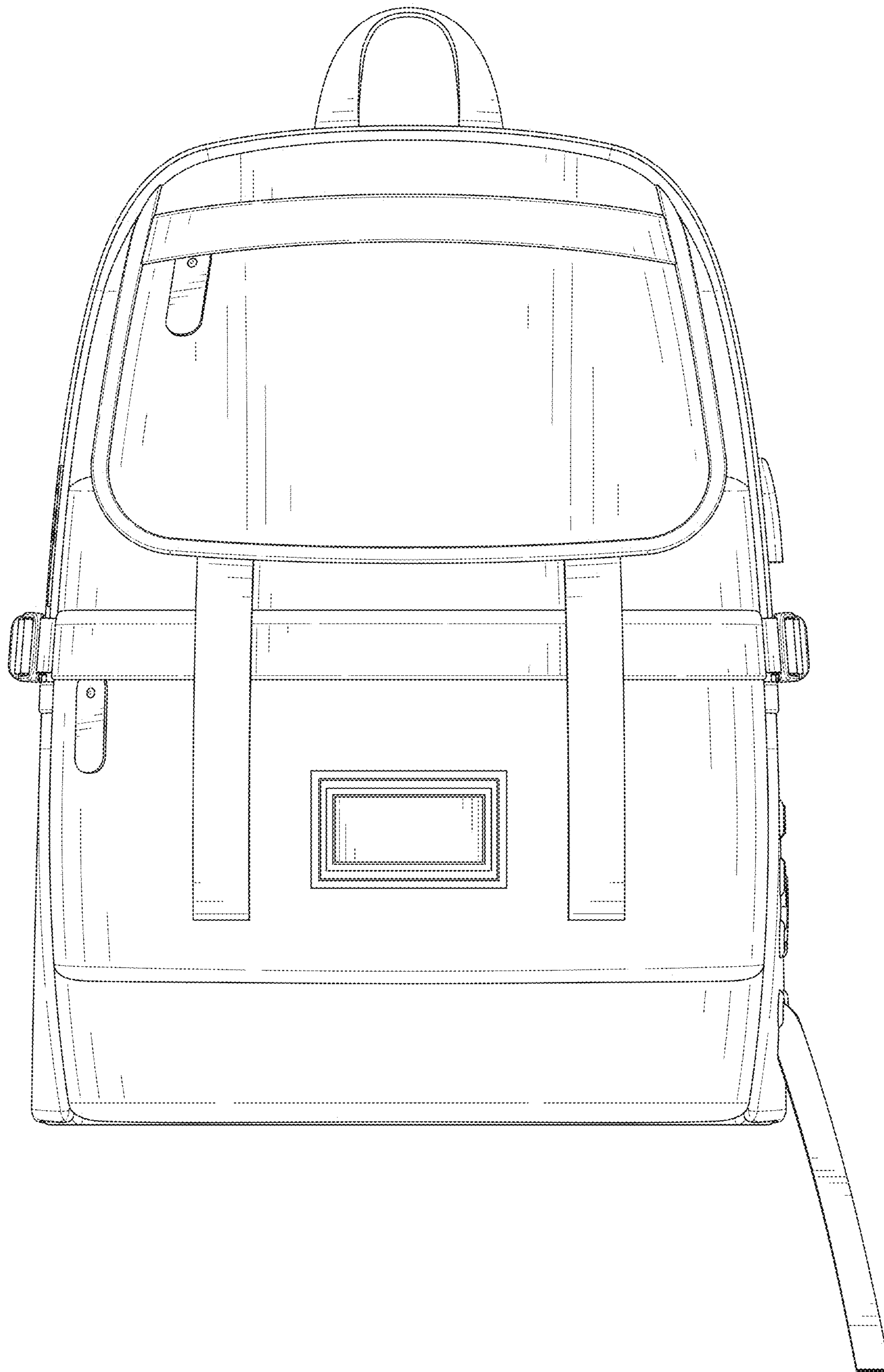


FIG. 2

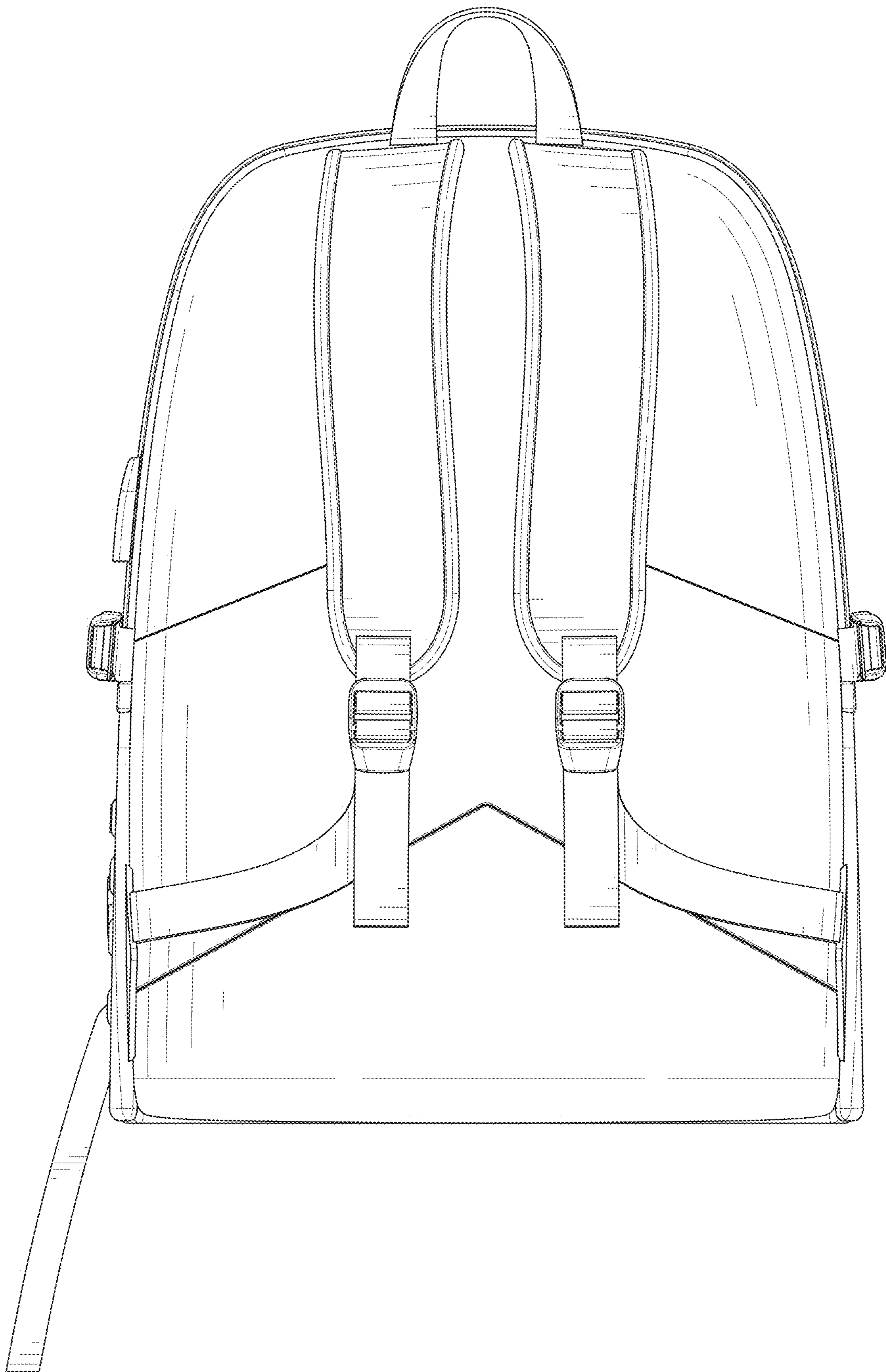


FIG. 3



FIG. 4

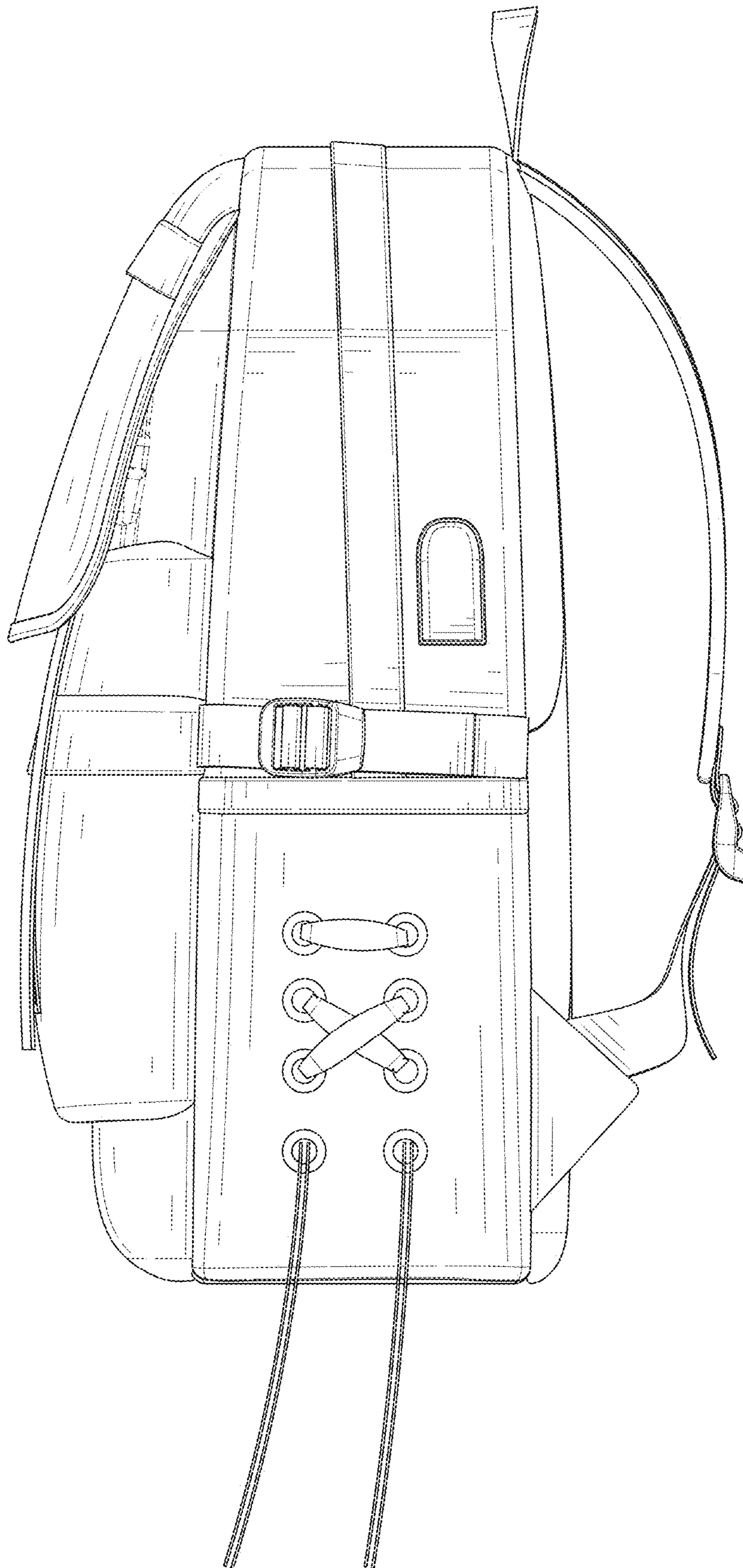


FIG. 5

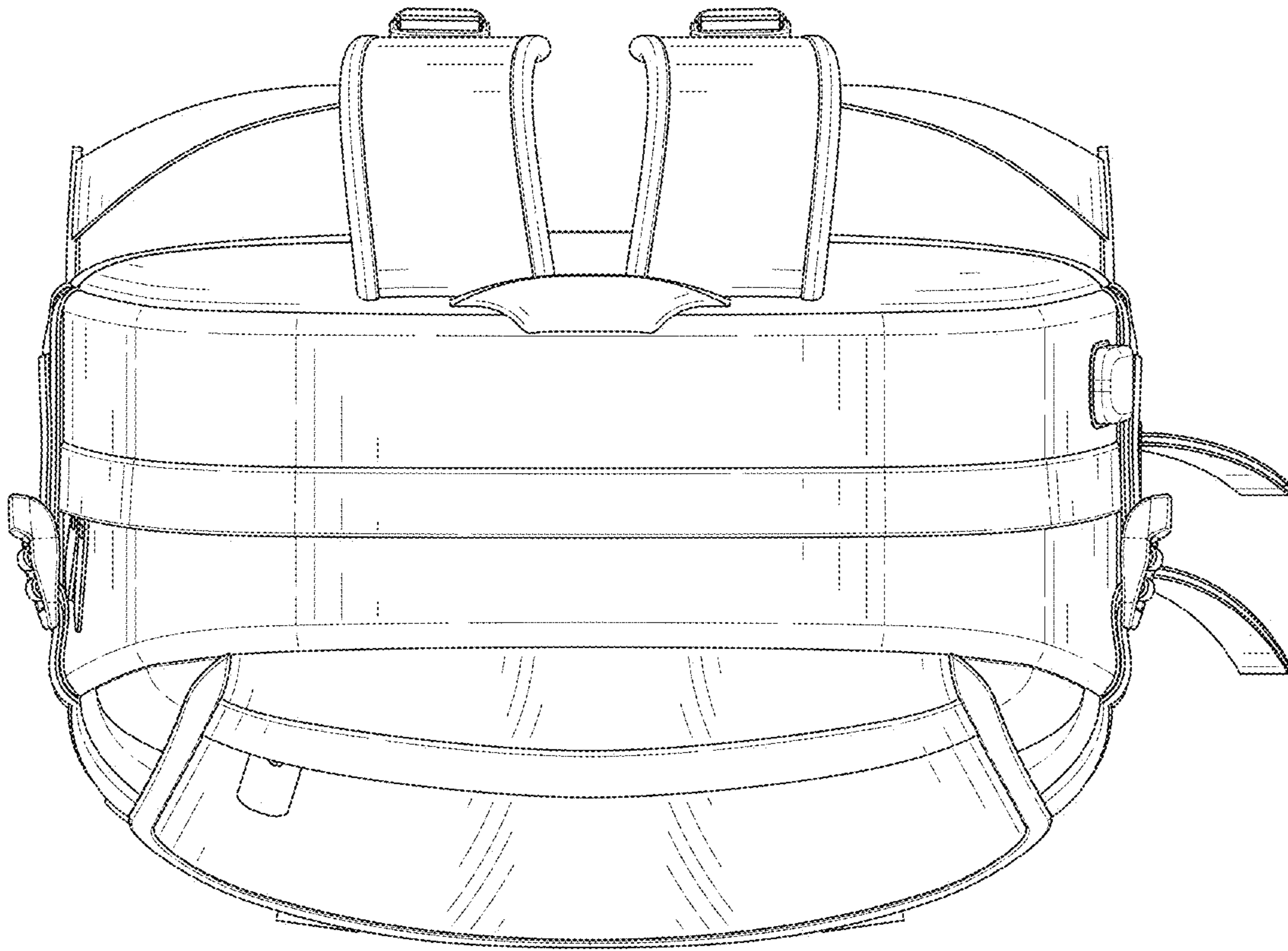


FIG. 6

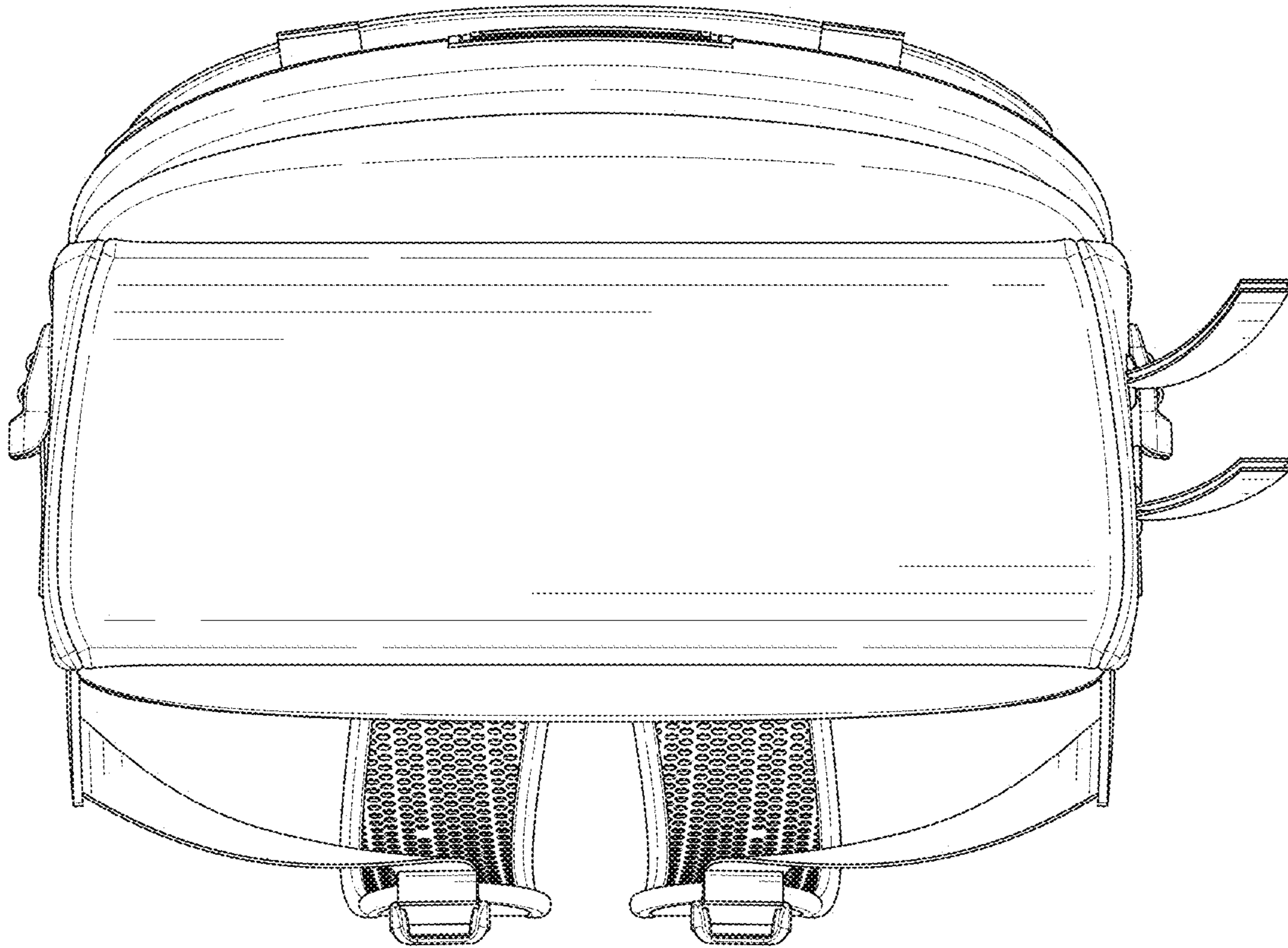


FIG. 7

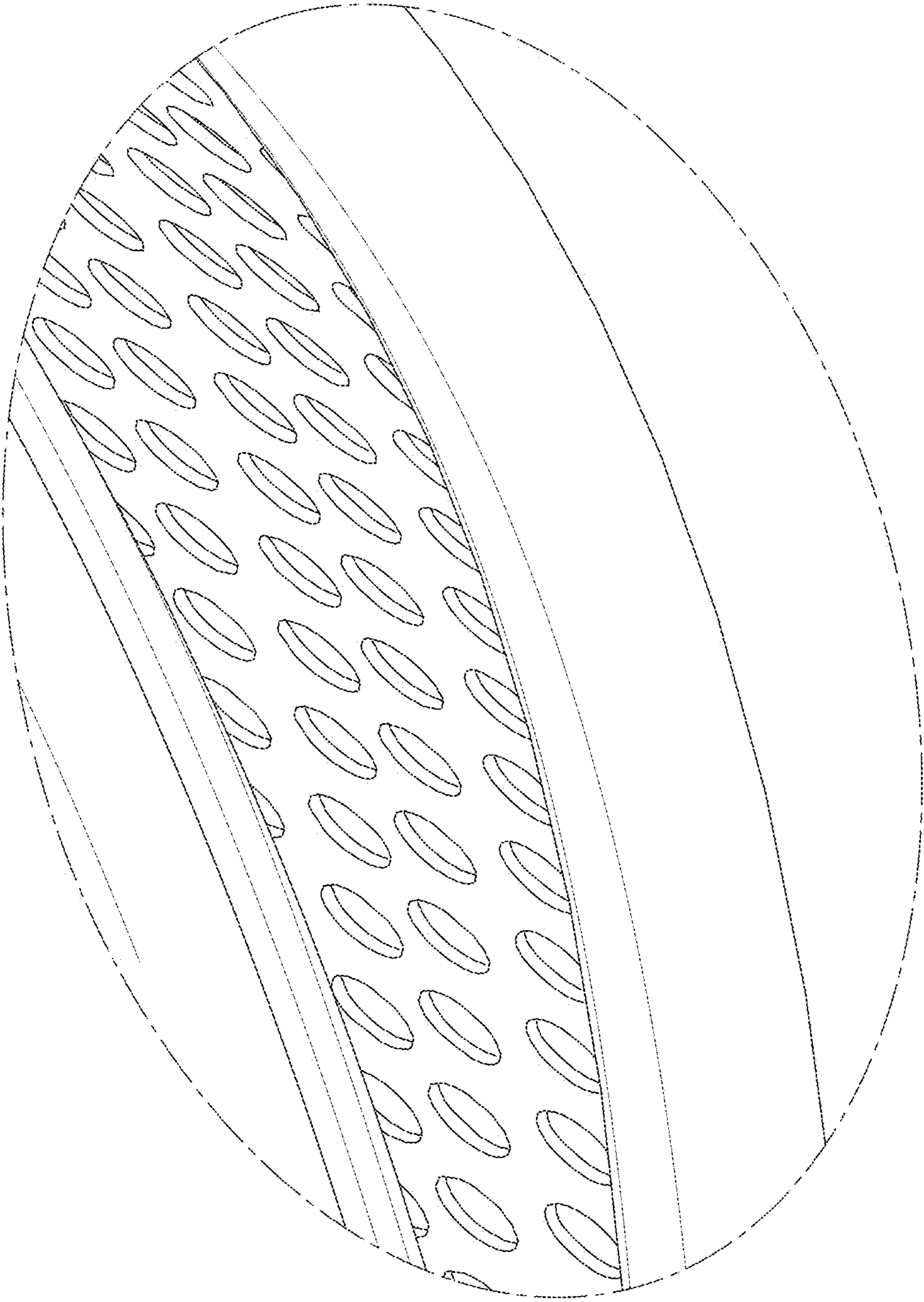


FIG. 8