



US00D947524S

(12) **United States Design Patent** (10) **Patent No.:** **US D947,524 S**  
**Tan** (45) **Date of Patent:** **\*\* Apr. 5, 2022**

(54) **BACKPACK WITH HOOKS AND SADDLE BAGS**

(71) Applicant: **Thousand Oaks Corp.**, Irwindale, CA (US)

(72) Inventor: **Roger Tan**, Chino, CA (US)

(73) Assignee: **Thousand Oaks Corp.**, Irwindale, CA (US)

(\*\*) Term: **15 Years**

(21) Appl. No.: **29/697,580**

(22) Filed: **Jul. 10, 2019**

(51) **LOC (13) Cl.** ..... **03-01**

(52) **U.S. Cl.**  
USPC ..... **D3/217; D3/260**

(58) **Field of Classification Search**  
USPC ..... D3/216, 217, 260  
CPC ..... A45F 3/04; A45F 2003/003; A45F 4/02;  
A45F 5/021; Y10S 224/92; Y10S 16/40;  
Y10S 224/922; Y10S 383/907; A01K  
97/06; A45C 11/20; A45C 5/06; A45C  
11/02; A45C 13/02; A45C 13/08; A45C  
3/00; A45C 7/0063

See application file for complete search history.

(56) **References Cited**

**U.S. PATENT DOCUMENTS**

258,393 A	5/1882	Endicott
1,482,678 A	2/1924	Figley
1,791,346 A	2/1931	Burch et al.
2,102,977 A	12/1937	Shoemaker et al.
2,316,833 A	4/1943	Baron
2,595,463 A	5/1952	Kamps

(Continued)

**FOREIGN PATENT DOCUMENTS**

CN	101066048 A	11/2007
CN	201360487	12/2009

(Continued)

**OTHER PUBLICATIONS**

Flambeau Heritage 4007 Tackle Bag, unknown first available date, DicksSportingGoods.com [online], [site visited Nov. 24, 2020], Available from internet U RL: [https://www.dickssportinggoods.com/p/flambeau-heritage-4007-tackle-bag-20fmbafmbhrtg3\\_70tbx/20fmbafmbhrtg370tbx?sku=21521402&camp=CSE:%E2%80%A6](https://www.dickssportinggoods.com/p/flambeau-heritage-4007-tackle-bag-20fmbafmbhrtg3_70tbx/20fmbafmbhrtg370tbx?sku=21521402&camp=CSE:%E2%80%A6) (Year: 2020).

(Continued)

*Primary Examiner* — Jennifer L Watkins

(74) *Attorney, Agent, or Firm* — J. Andrew Reed; Vincent J. Allen; Carstens & Cahoon, LLP

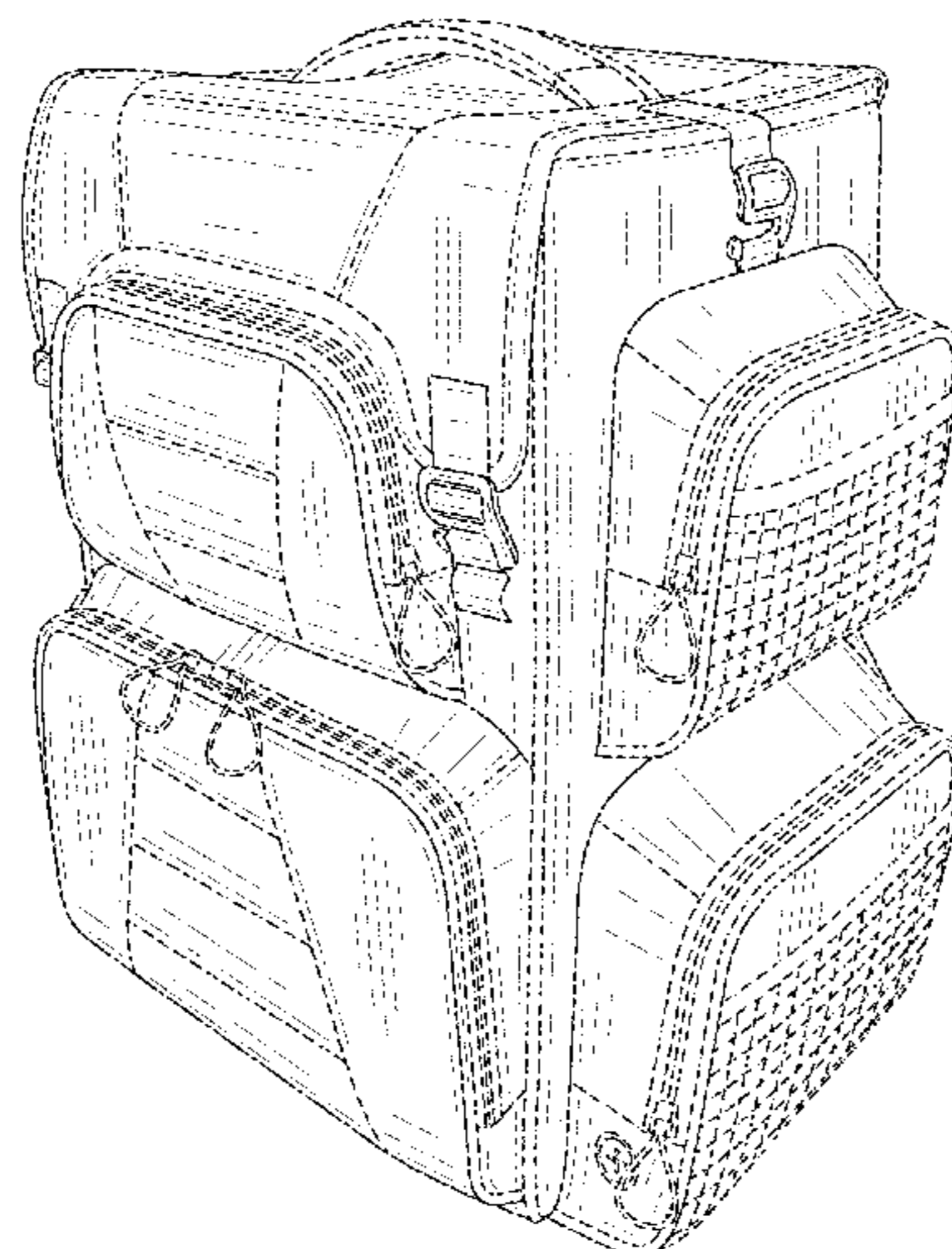
(57) **CLAIM**

The ornamental design for a backpack with hooks and saddle bags, as shown and described herein.

**DESCRIPTION**

FIG. 1 is a front elevation view of the backpack with hooks and saddle bags showing our new design; FIG. 2 is a rear elevation view thereof; FIG. 3 is a left side elevation view thereof; FIG. 4 is a right side elevation view thereof; FIG. 5 is a top plan view thereof; FIG. 6 is a bottom plan view thereof; FIG. 7 is a left side perspective view thereof; FIG. 8 is a right side perspective view thereof; FIG. 9 is a front perspective closed interior view thereof; and, FIG. 10 is a front perspective open interior view thereof. The broken lines on and adjacent to unshaded surfaces depict portions of the backpack with hooks and saddle bags and form no part of the claim. The broken lines on surfaces with surface shading depict stitching and zipper track and form no part of the claim.

**1 Claim, 10 Drawing Sheets**



(56)

References Cited

U.S. PATENT DOCUMENTS

2,616,209 A	11/1952	Ploen	D620,254 S	7/2010	Noraker
2,717,470 A	9/1955	Holdeman	7,937,884 B1	5/2011	Naylor et al.
2,730,833 A	1/1956	Newell	7,941,965 B2	5/2011	Hoover
2,956,365 A	10/1960	Smith et al.	D639,051 S	6/2011	Dare
2,987,846 A	6/1961	Powell	D647,301 S	10/2011	Sosnovsky
3,047,349 A	7/1962	Powell	D648,533 S	11/2011	Sosnovsky
3,181,751 A	5/1965	Wilson	D660,589 S	5/2012	Ayjian
3,310,271 A	3/1967	King	8,348,510 B2	1/2013	Mogil
3,481,066 A	12/1969	Woolworth	D676,652 S	2/2013	Holloway et al.
3,564,755 A	2/1971	Lindgren, Sr.	D692,661 S	11/2013	Gupton, Jr.
3,813,138 A	5/1974	Dooohan	D714,541 S	10/2014	Anderson et al.
3,850,396 A	11/1974	Orlandi	D724,318 S	3/2015	Myer
4,023,304 A	5/1977	Singer	D725,908 S	4/2015	Zwetzig
4,151,938 A	5/1979	Barker et al.	D742,637 S	11/2015	Miles
4,176,491 A	12/1979	Herring	D761,564 S	7/2016	Rhodes
4,240,222 A	12/1980	Covington	D762,384 S	8/2016	Boroski
4,245,422 A	1/1981	Souza	D762,978 S	8/2016	Boroski
4,324,446 A	4/1982	LeSage	D779,824 S	2/2017	Boroski
D280,260 S	8/1985	Leiserson	D781,575 S	3/2017	Etekochoy
D284,333 S	6/1986	Huston	D787,816 S	5/2017	Slimane
D284,620 S	7/1986	Calton	D793,728 S	8/2017	Faibish et al.
D291,149 S	8/1987	Smith	D796,188 S	9/2017	Ho
4,739,886 A	4/1988	Seaberg	D821,097 S	6/2018	Burton et al.
4,769,941 A	9/1988	Schmidt	D824,170 S	7/2018	Tobias
4,811,996 A	3/1989	Hansson	D831,952 S	10/2018	Pennington
4,958,730 A	9/1990	Bunten	D832,653 S	11/2018	Waskow et al.
D312,530 S	12/1990	Gallen et al.	D833,141 S	11/2018	Carter et al.
5,054,669 A	10/1991	Zimbardi et al.	D835,473 S	12/2018	Jacobsen
5,087,105 A	2/1992	White	D835,950 S	12/2018	Jacobsen
D333,038 S	2/1993	Collins	D836,999 S	1/2019	Jacobsen
5,261,529 A	11/1993	Holland	D837,000 S	1/2019	Jacobsen
D347,521 S	6/1994	Elliott	D837,001 S	1/2019	Jacobsen
5,386,662 A	2/1995	Vader et al.	D838,971 S	1/2019	Deanda
D360,182 S	7/1995	Lovett	D844,324 S	4/2019	Hoppe et al.
D371,052 S	6/1996	Melk	D845,613 S	4/2019	Decker
5,526,927 A	6/1996	McLemore	D856,662 S	8/2019	Breines
D371,724 S	7/1996	Melk	D862,528 S	10/2019	Sullivan et al.
5,556,068 A	9/1996	Gorelik	10,477,991 B1	11/2019	Fragala
D376,044 S	12/1996	Trawick et al.	D873,090 S	1/2020	Jacobsen
5,606,820 A	3/1997	Suddeth	D874,129 S	2/2020	Goldstein
D383,601 S	9/1997	Jones et al.	D875,385 S	2/2020	Carter et al.
D389,305 S	1/1998	Hauschild	D880,253 S	4/2020	Jacobsen
D396,745 S *	8/1998	Peterson ..... D3/216	D881,655 S	4/2020	Jacobsen
D401,062 S	11/1998	Hauschild	D887,135 S	6/2020	Tan
5,829,185 A	11/1998	Myers	D896,504 S	9/2020	Li
D423,779 S	5/2000	Goatcher	D896,505 S *	9/2020	Yuan ..... D3/217
D427,768 S	7/2000	Bogert	D896,514 S	9/2020	Tan
D435,343 S	12/2000	Eskandry	D901,882 S	11/2020	Tan
6,202,865 B1	3/2001	Kuo	10,881,178 B2	1/2021	Johnson
6,202,910 B1	3/2001	Swetish	D912,974 S	3/2021	Breines
D465,086 S	11/2002	Watts	D915,762 S	4/2021	Li
D468,101 S	1/2003	Hassett	D919,287 S	5/2021	He
D469,606 S	2/2003	Su	D920,744 S	6/2021	Eisenhardt et al.
D472,380 S	4/2003	Hillman	D922,061 S	6/2021	Tan
D472,386 S	4/2003	Bauer	D922,062 S	6/2021	Shi
D474,598 S	5/2003	Platte, III	D927,174 S	8/2021	Dai
D476,480 S	7/2003	Hillman	D927,261 S	8/2021	Rong
6,612,434 B1	9/2003	Redzisz	D931,600 S	9/2021	Huang
D482,842 S	12/2003	Fair	2005/0121275 A1	6/2005	Platte, III
D484,695 S	1/2004	DePalma	2007/0011939 A1	1/2007	Sakai
D487,189 S	3/2004	Ukitsu	2007/0237432 A1	10/2007	Mogil
D487,191 S	3/2004	Ong	2008/0029666 A1	2/2008	Hurt
D495,489 S	9/2004	Messina-Brown	2008/0289925 A1	11/2008	Sapyta
D504,229 S	4/2005	Duvigneau	2012/0043228 A1	2/2012	Ezzo et al.
D506,061 S	6/2005	McGibben	2013/0043293 A1	2/2013	Connell
6,926,136 B1	8/2005	Lynch-Bass	2014/0132131 A1	5/2014	Thomas
D528,295 S	9/2006	Harvey	2014/0290025 A1	10/2014	Custer
D530,089 S	10/2006	Silverman	2016/0205913 A1	7/2016	Aston et al.
D542,527 S	5/2007	Zapata	2016/0244239 A1	8/2016	Nash
7,240,513 B1	7/2007	Conforti	2017/0073146 A1	3/2017	Kuhn et al.
D552,350 S	10/2007	Bosley	2018/0220759 A1	8/2018	Johnson
D556,452 S	12/2007	Hydon	2021/0007451 A1 *	1/2021	Tan ..... A45F 3/047
D566,393 S	4/2008	Kidakarn	2021/0007452 A1 *	1/2021	Tan ..... A45C 3/001
D574,615 S	8/2008	Picot et al.			
7,621,074 B2	11/2009	Glidewell et al.			

(56)

**References Cited**

U.S. PATENT DOCUMENTS

2021/0068510 A1 3/2021 Johnson  
2021/0212442 A1 7/2021 Webb

FOREIGN PATENT DOCUMENTS

CN 102972367 A 3/2013  
CN 205357836 U 7/2016  
EP 0071274 A2 2/1983

OTHER PUBLICATIONS

Ozark Trail Outdoor Equipment “Mesh Bottom Tackle Bag”, 6 pgs.  
Amazon, “Piscifun Fishing Tackle Backpack with 4 Trays Large Waterproof Tackle Bag Storage . . .”, (<https://www.amazon.com/Piscifun-Backpack-Capacity-Waterproof-Protective/dp/B07CGJDTNG1>) (Year: 2018), 13 pgs.  
International Search Report and Written Opinion dated May 19, 2017 of PCT Application No. PCT/US2016/047971, 14 pages.  
Evolution Outdoor Drift Series Topless Horizontal Tackle Bag, first available Feb. 24, 2021, amazon.com [online], [site visited Jun. 28,

2021], Available at internet URL: <https://www.amazon.com/Evolution-Outdoor-Topless-Horizontal-Tackle/dp/B08WRNXBXV?th=1&psc=1> (Year: 2021).

Evolution Outdoor Drift Series Topless Vertical Tackle Bag, first available Mar. 2, 2021, amazon.com [online], [site visited Jun. 28, 2021], Available at internet URL: <https://www.amazon.com/Evolution-Outdoor-Topless-Vertical-Tackle/dp/B08WRVCF31?th=1> (Year: 2021).

KastKing Fishing Tackle Bag, first available Jun. 27, 2018, amazon.com [online], [site visited Jun. 28, 2021], Available at internet URL: [https://www.amazon.com/KastKing-Saltwater-Waterproof-Medium-Hoss-15x11x10-25/dp/B07XRFSFPN/ref=pd\\_lpo\\_3?pd\\_rd\\_i=B07F2GH9VS&psc=1](https://www.amazon.com/KastKing-Saltwater-Waterproof-Medium-Hoss-15x11x10-25/dp/B07XRFSFPN/ref=pd_lpo_3?pd_rd_i=B07F2GH9VS&psc=1) (Year: 2018).

Plano Guide Series Tackle Bag, first available Feb. 10, 2020, amazon.com [online], [site visited Jun. 28, 2021], Available at internet URL: [https://www.amazon.com/Piano-Premium-Storage-included-PLABG371/dp/B084NQLFMH/ref=pd\\_lpo\\_2?pd\\_rd\\_i=B084NQLFMH&psc=1](https://www.amazon.com/Piano-Premium-Storage-included-PLABG371/dp/B084NQLFMH/ref=pd_lpo_2?pd_rd_i=B084NQLFMH&psc=1) (Year: 2020).

Amazon, “Flambeau 4007 Heritage Tackle Bag, Fir Green/Pewter/Rust, FL40001”, First on sale Apr. 23, 2020. (<https://www.amazon.com/Fiambeau-Heritage-Bait-Binder/dp/B089469PPT>) (Year: 2020).

\* cited by examiner

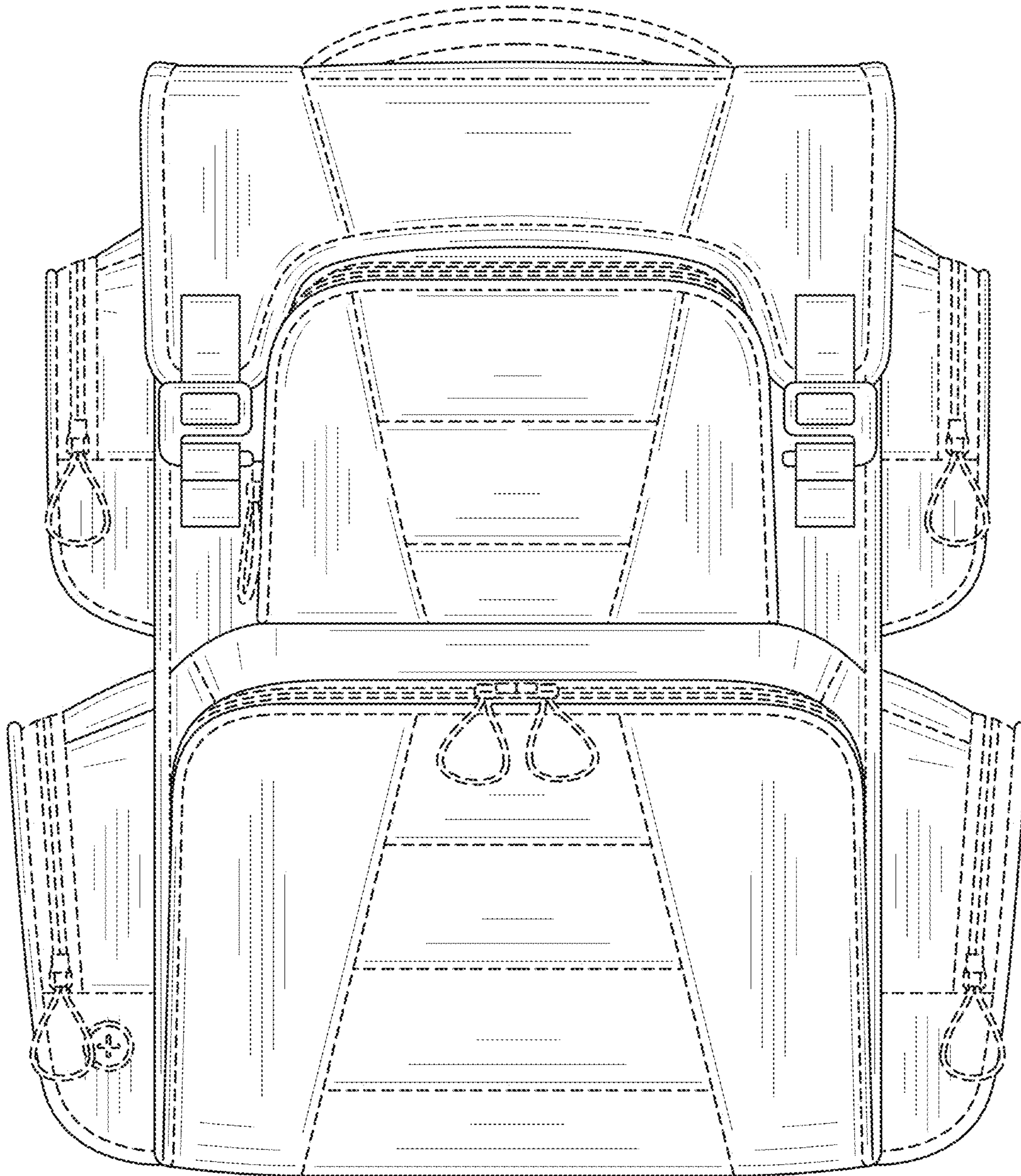


FIG. 1

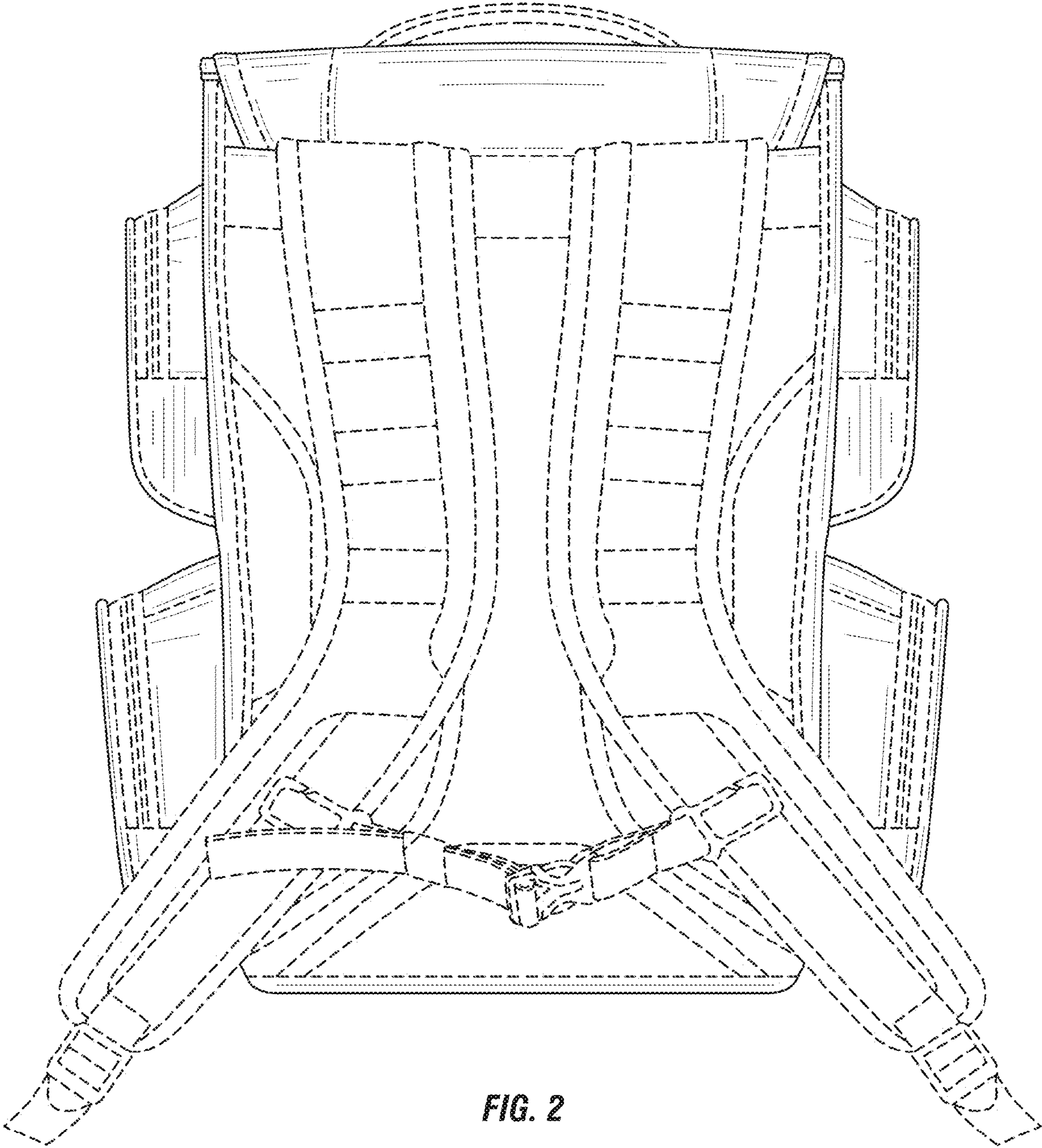


FIG. 2

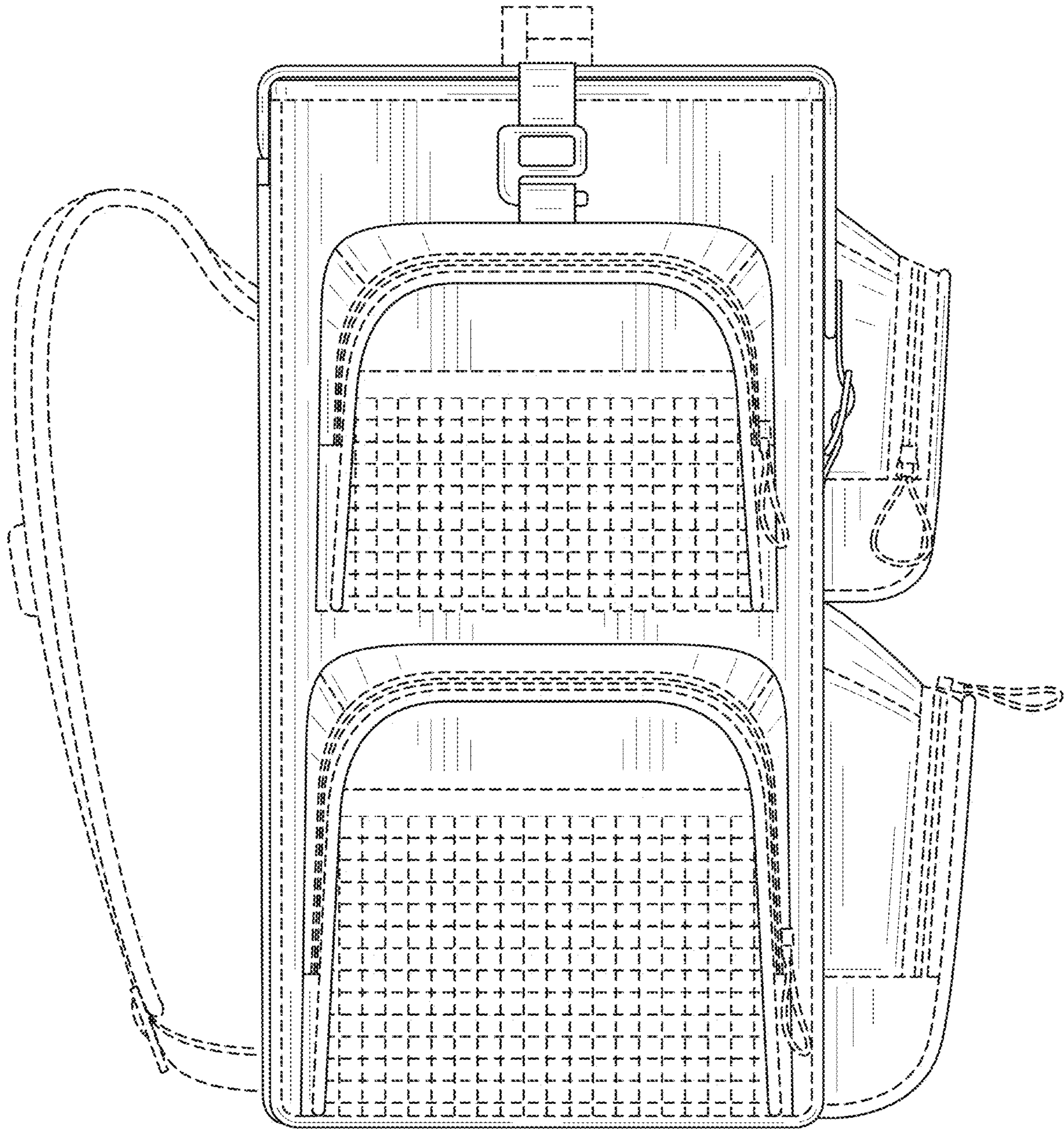


FIG. 3

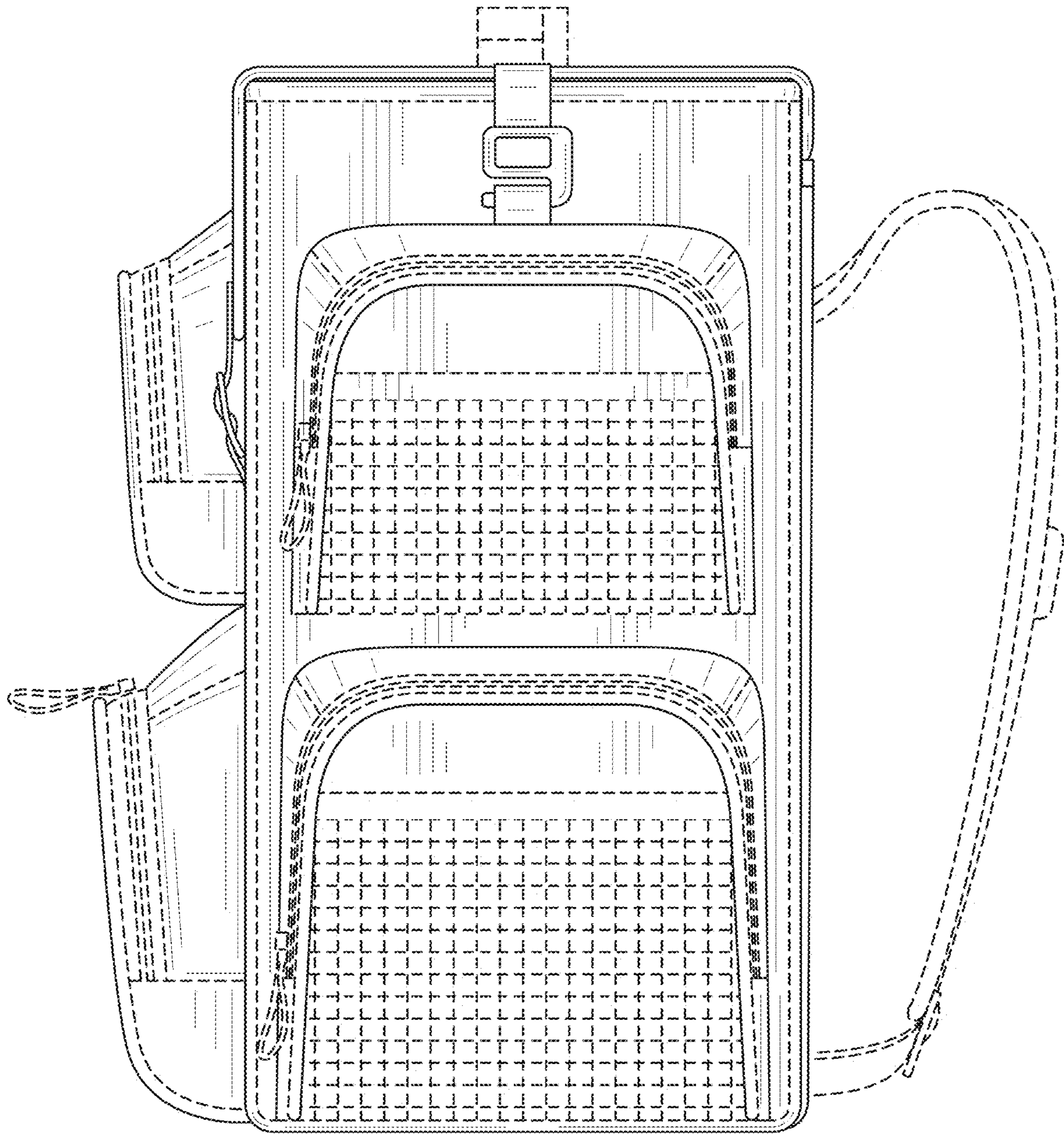


FIG. 4

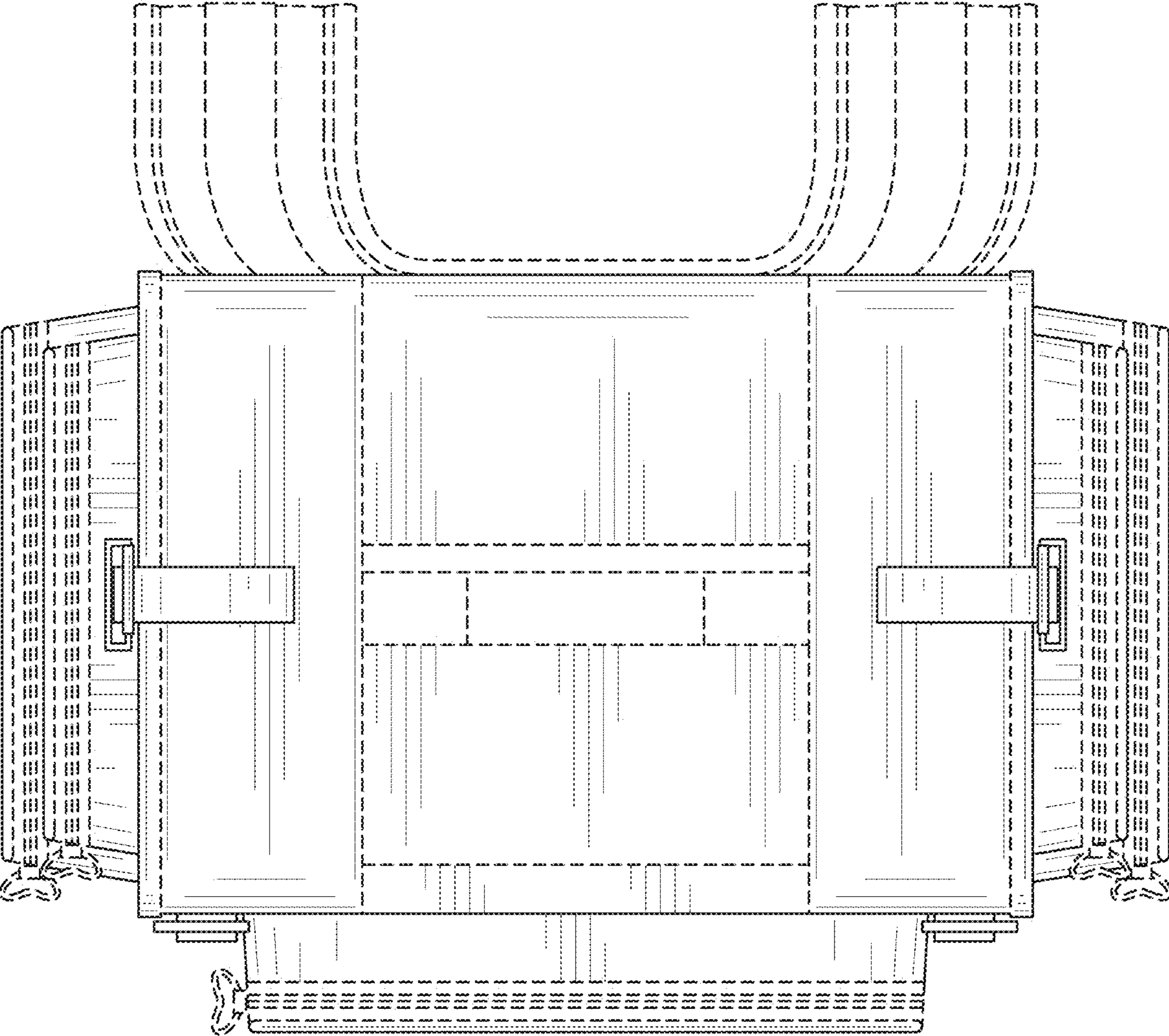


FIG. 5



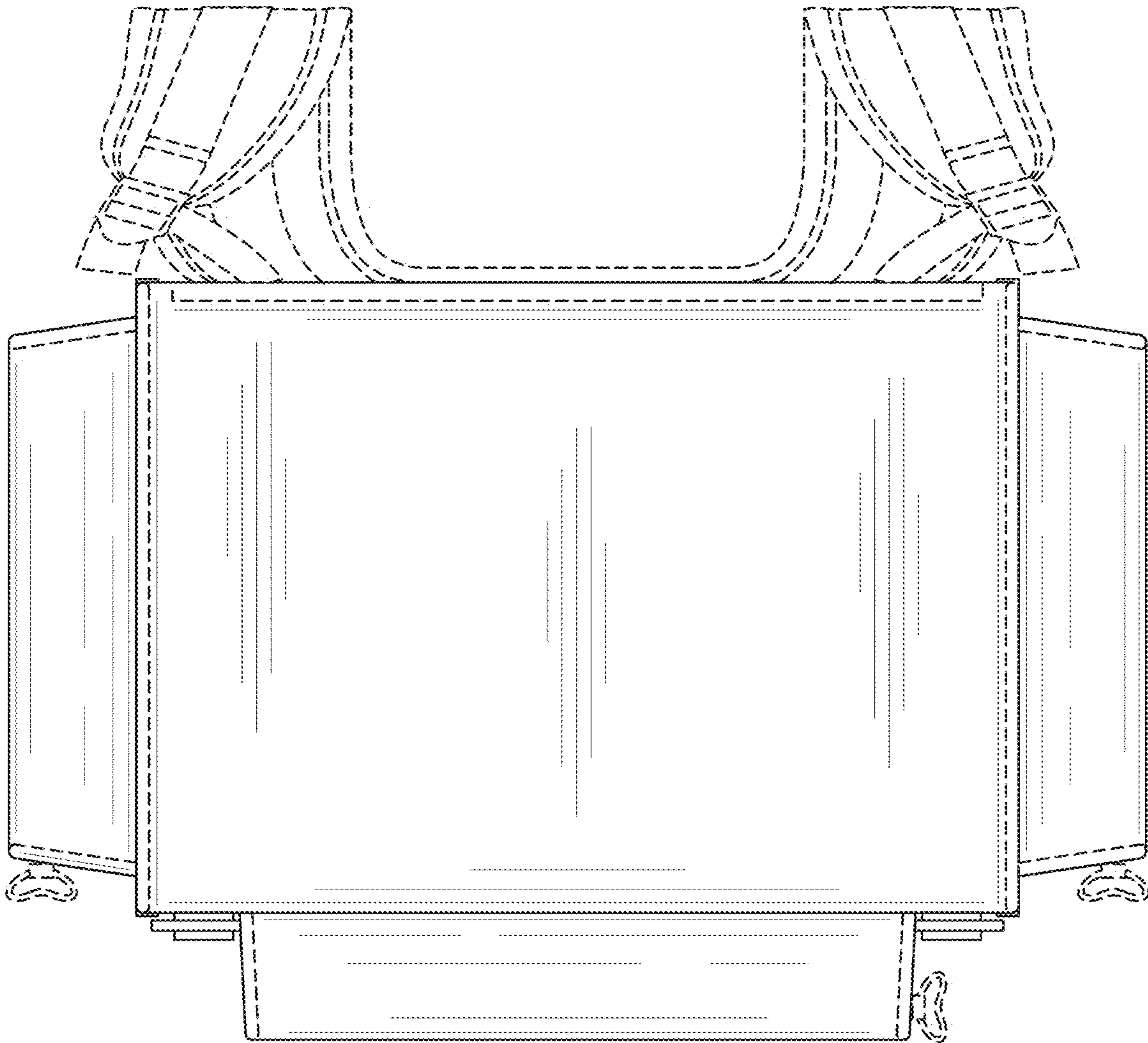


FIG. 6

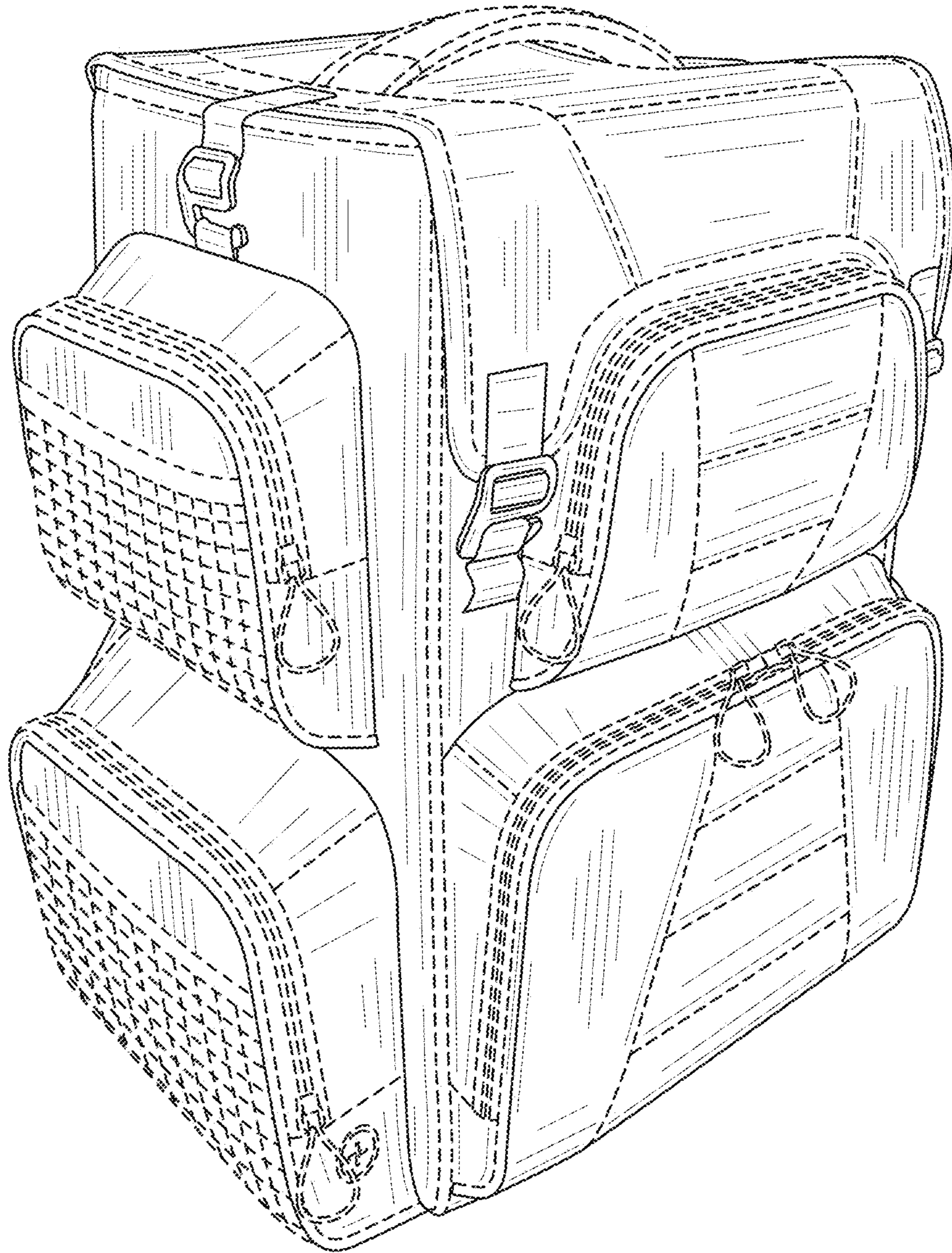


FIG. 7

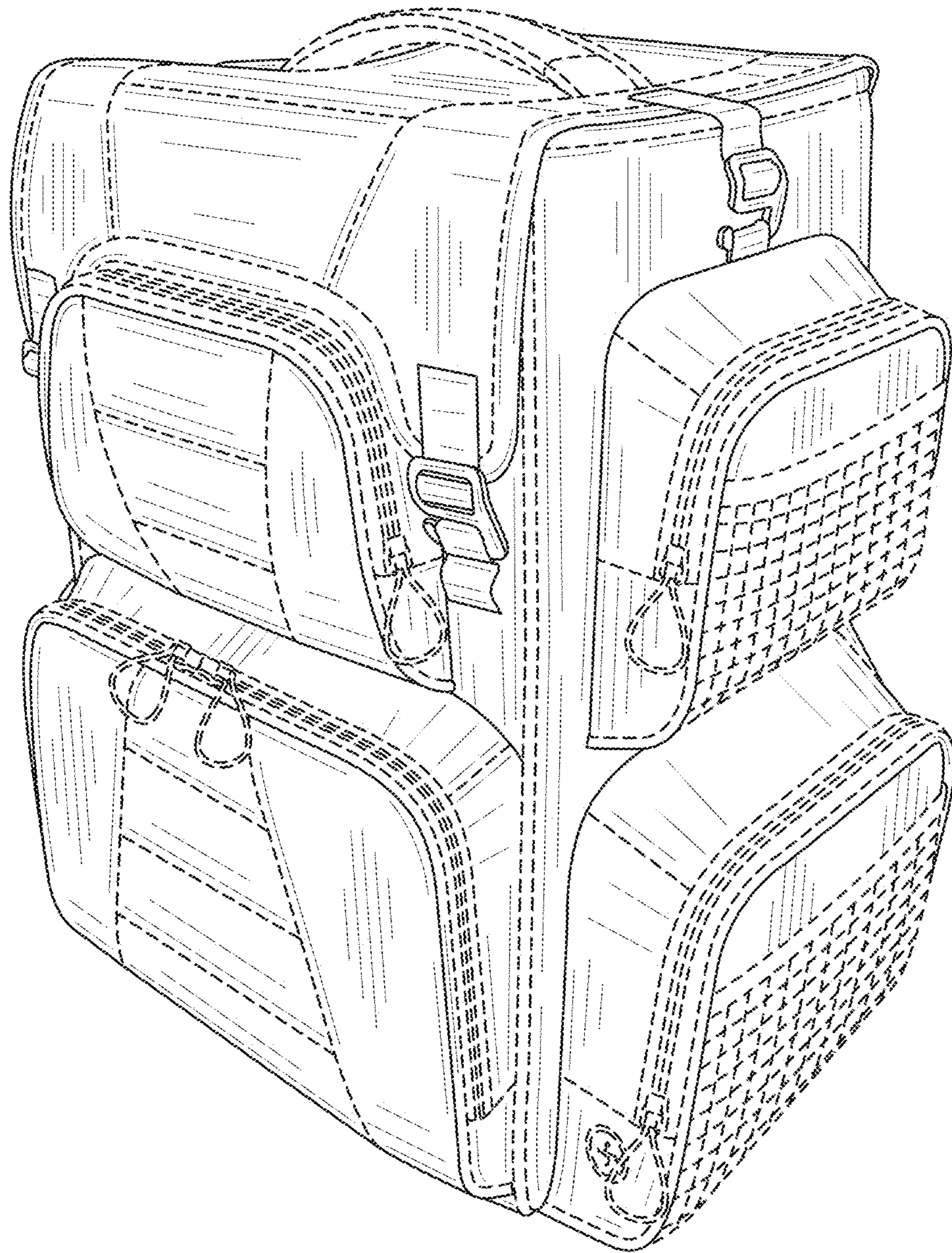


FIG. 8

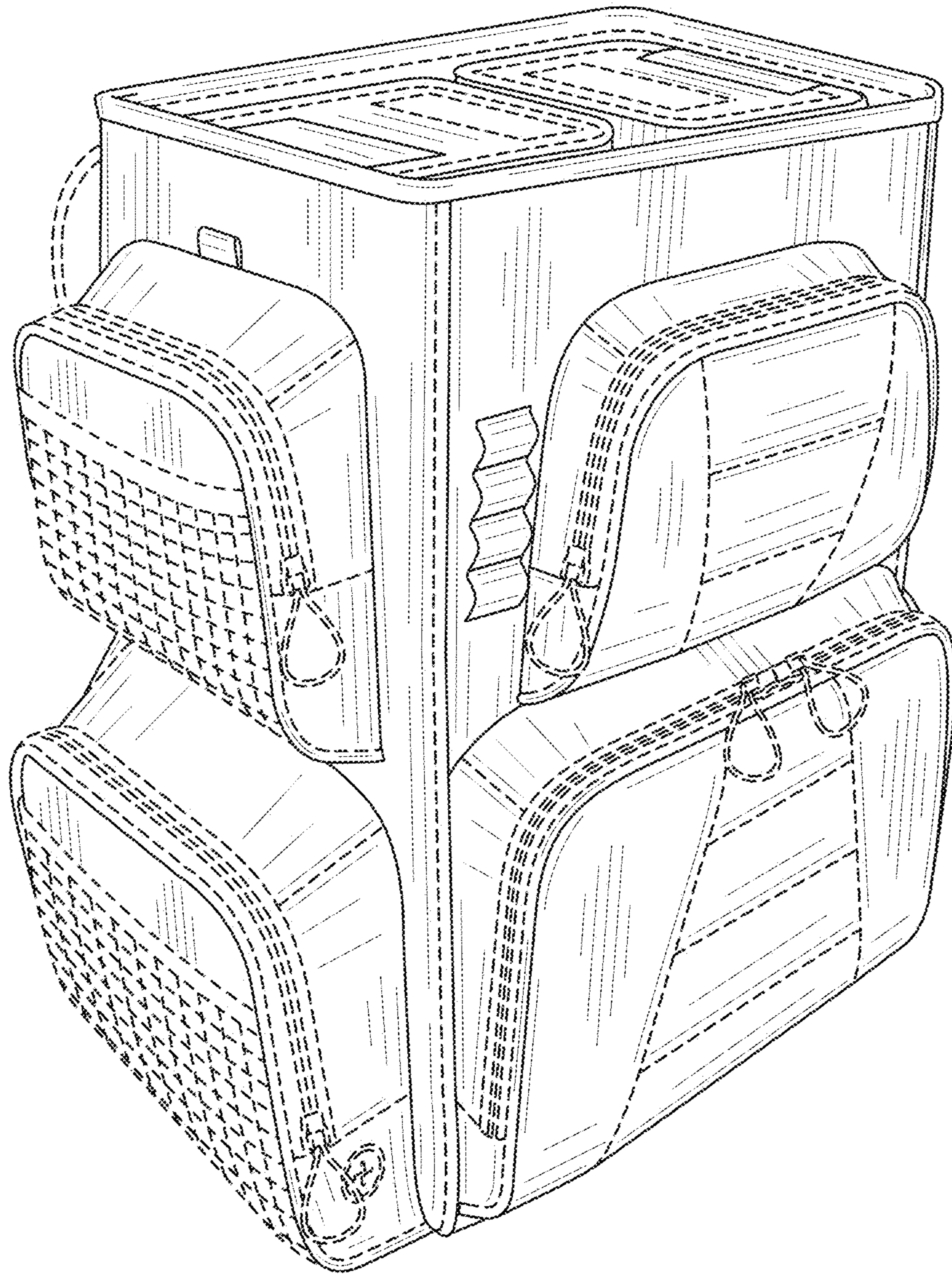


FIG. 9

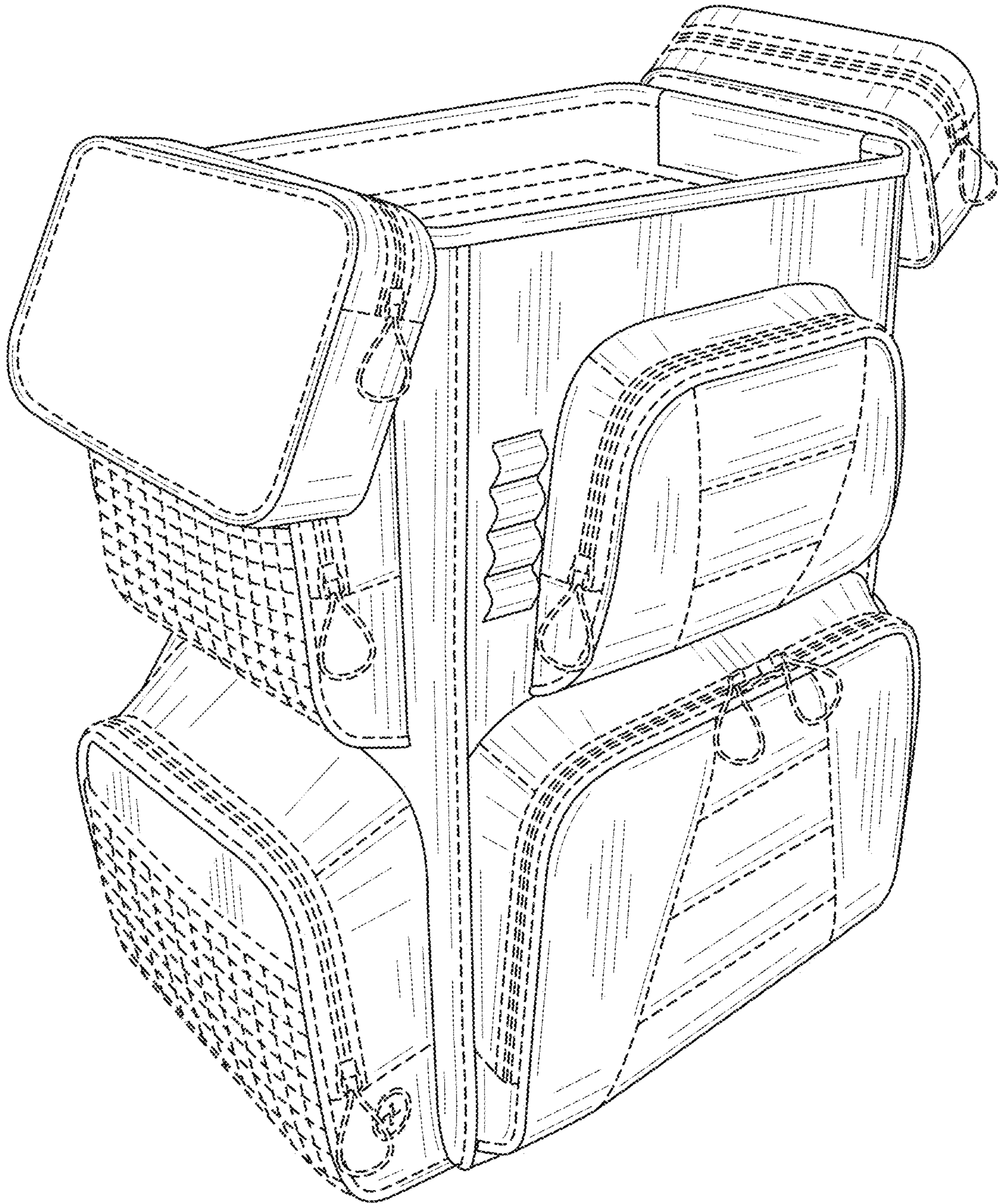


FIG. 10