



US00D947521S

(12) **United States Design Patent** (10) **Patent No.:** **US D947,521 S**
Swart et al. (45) **Date of Patent:** **** Apr. 5, 2022**

(54) **INFANT SUPPORT**

(71) Applicant: **Chrome Cherry Limited**, London (GB)

(72) Inventors: **Pierre Radyn Swart**, New York, NY (US); **Mara Pezzotta**, New York, NY (US)

(73) Assignee: **Chrome Cherry Limited**, London (GB)

(**) Term: **15 Years**

(21) Appl. No.: **29/733,874**

(22) Filed: **May 7, 2020**

(30) **Foreign Application Priority Data**

Nov. 8, 2019 (ZA) A2019/01666

(51) **LOC (13) Cl.** **03-01**

(52) **U.S. Cl.**
USPC **D3/215**

(58) **Field of Classification Search**
USPC D3/215; D11/17; D6/581; D24/199
CPC A47D 7/04; A47D 13/00; A47D 13/08;
A47D 15/00; A47D 15/003; A47D
15/005; A47D 15/008; F16G 11/14; F16G
11/101

See application file for complete search history.

(56) **References Cited**

U.S. PATENT DOCUMENTS

D82,178 S * 9/1930 Resto D6/581
4,667,356 A 5/1987 Holmquist
5,261,133 A 11/1993 Wilkerson et al.
D347,493 S * 5/1994 Connolly D11/117
5,439,008 A 8/1995 Bowman
D446,675 S 8/2001 Straub
7,204,468 B2 * 4/2007 Kintzele A47D 15/00
248/102

7,752,691 B2 7/2010 Bensoussan
8,333,560 B1 12/2012 Ward
8,695,137 B1 * 4/2014 Hanson A47D 5/00
5/655
10,278,514 B1 * 5/2019 Emerson A47D 13/02
2002/0133881 A1 9/2002 Vrbas et al.
2004/0261180 A1 12/2004 Birns
2005/0210592 A1 9/2005 Littlehorn et al.
2006/0016005 A1 1/2006 Roda
2006/0026766 A1 2/2006 Brewin et al.
2008/0287745 A1 11/2008 Hartmann
2012/0284925 A1 11/2012 Bennett
2016/0174728 A1 6/2016 Karp et al.
2016/0324466 A1 11/2016 Chang
2017/0224127 A1 * 8/2017 Kerem A47D 15/00
(Continued)

OTHER PUBLICATIONS

Dreambaby 6-Pack Twist 'N Lock Multi Purpose Baby Safety Latch . . . <https://www.kohls.com/product/prd-4504856/dreambaby-6-pack-twist-n-lock-multi-purpose-baby-safety-latch.jsp?color=White&prdPV=16> (Year: 2018).*

Primary Examiner — Catherine R Oliver-Garcia
(74) *Attorney, Agent, or Firm* — Tucker Ellis LLP

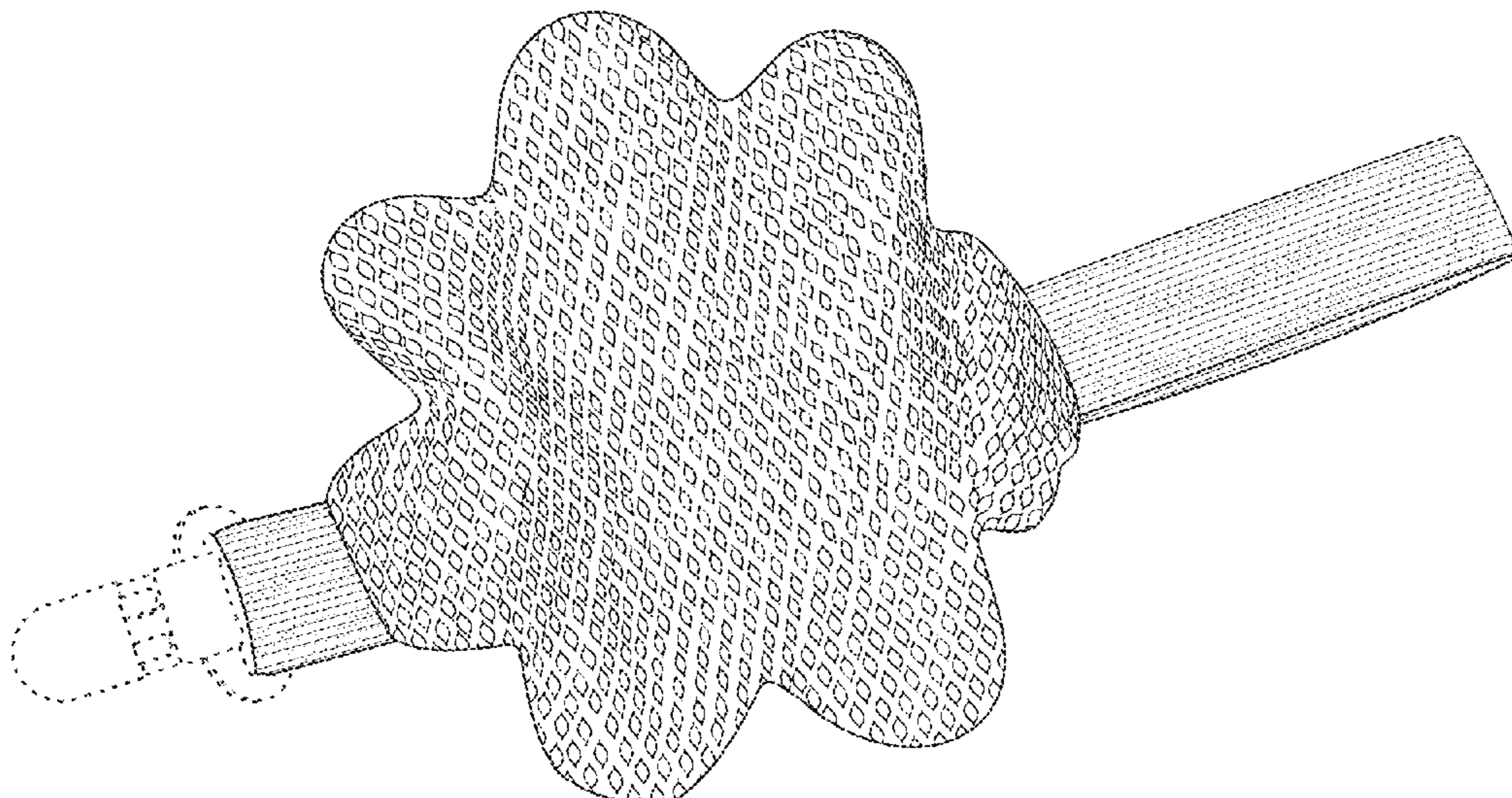
(57) **CLAIM**

The ornamental design for an infant support, as shown and described.

DESCRIPTION

FIG. 1 is a perspective view of an infant support showing our new design.
FIG. 2 is a front view thereof.
FIG. 3 is a rear view thereof.
FIG. 4 is a top view thereof.
FIG. 5 is a bottom view thereof.
FIG. 6 is a left side view thereof; and,
FIG. 7 is a right side view thereof.
The broken lines show portions of the design that form no part of the claimed design.

1 Claim, 4 Drawing Sheets



(56)

References Cited

U.S. PATENT DOCUMENTS

2019/0335920 A1* 11/2019 Herrera A47D 15/008
2020/0375375 A1* 12/2020 Robinson A47F 5/114
2021/0007417 A1* 1/2021 Moudrakis A47D 15/008

* cited by examiner

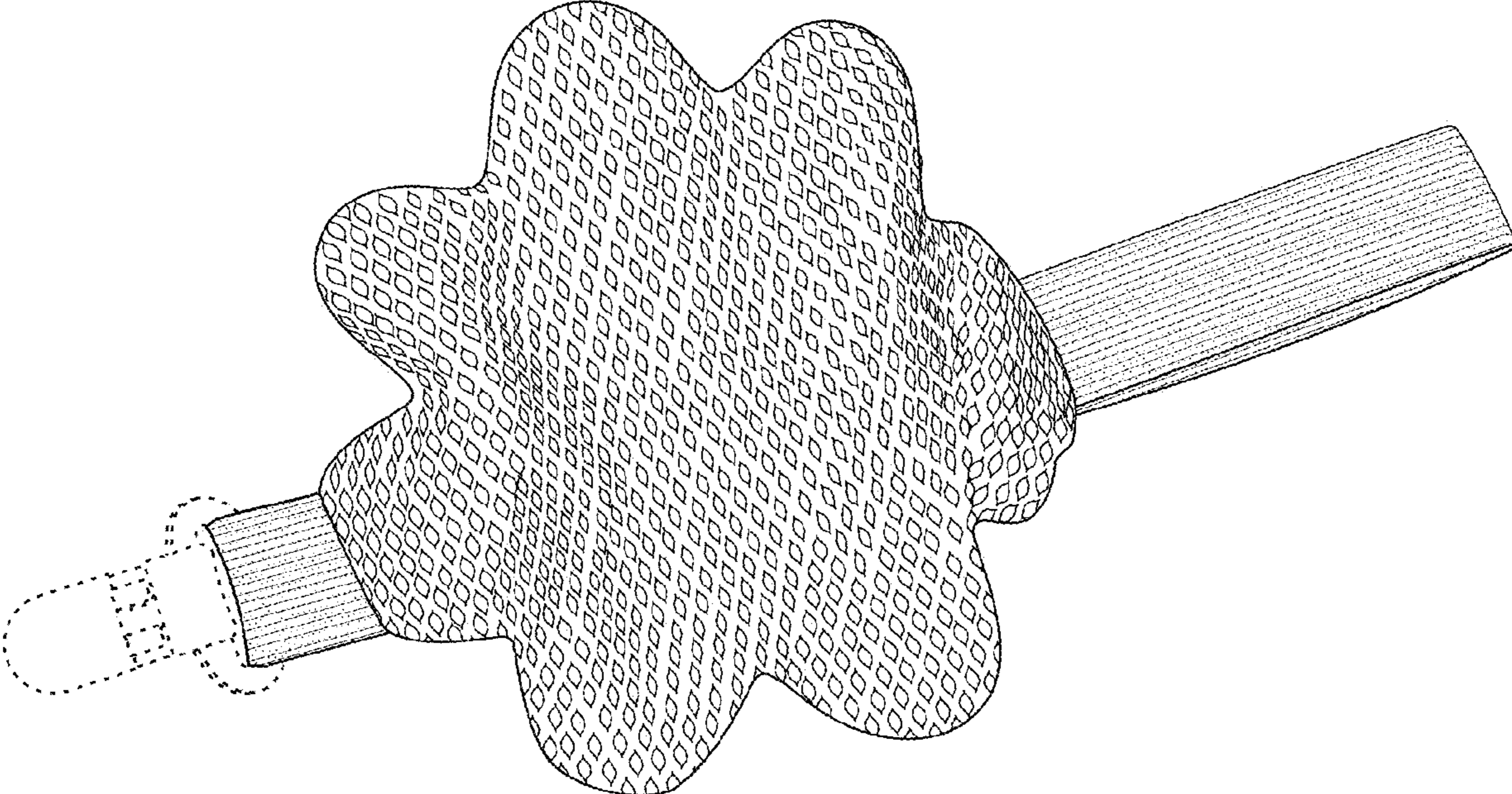


Figure. 1

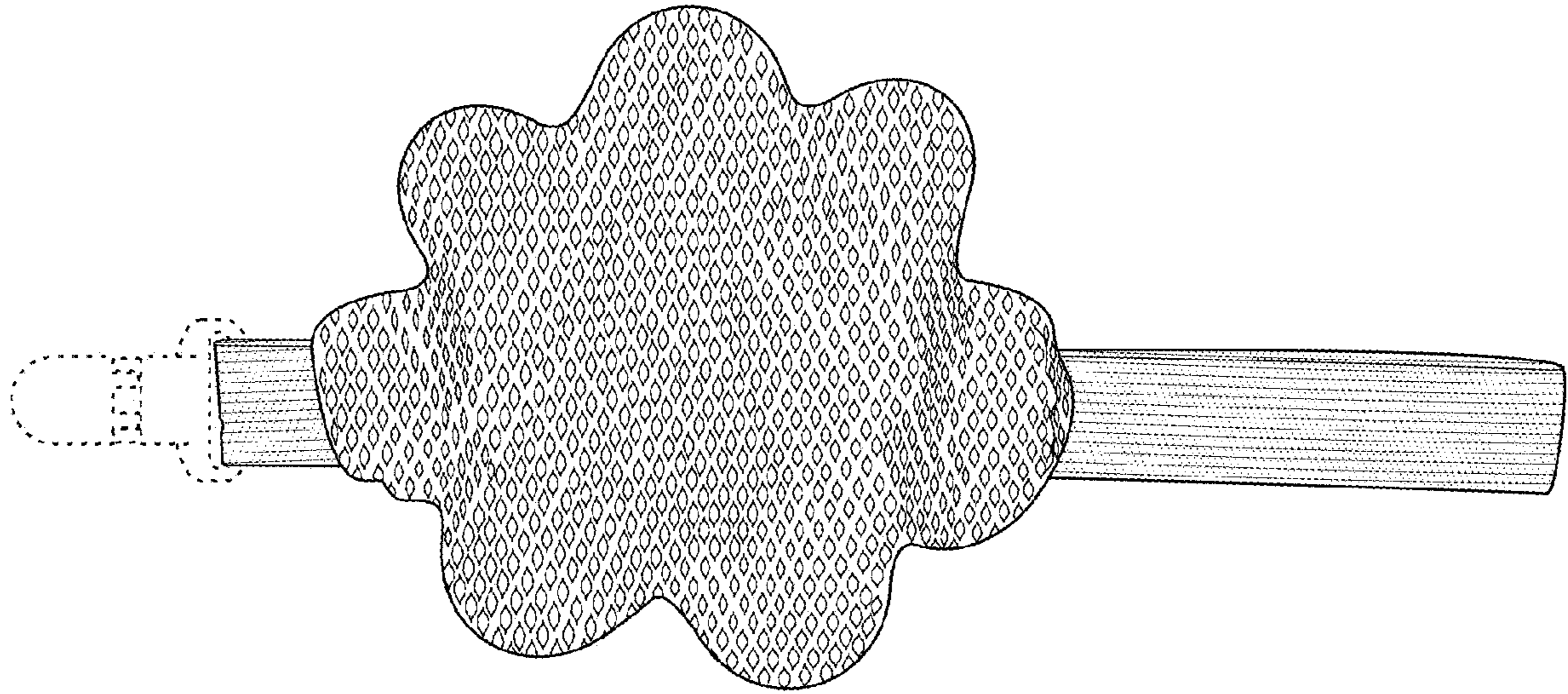


Figure. 2

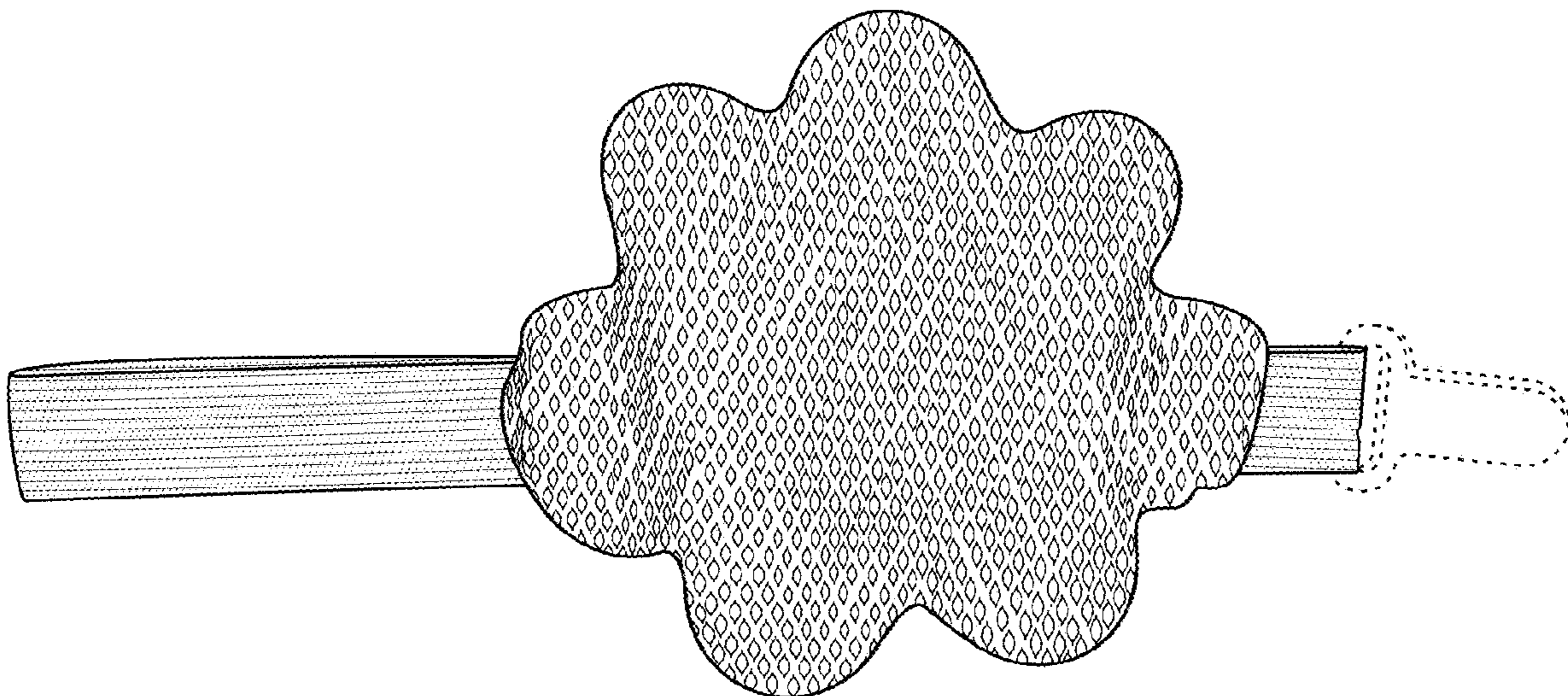


Figure. 3

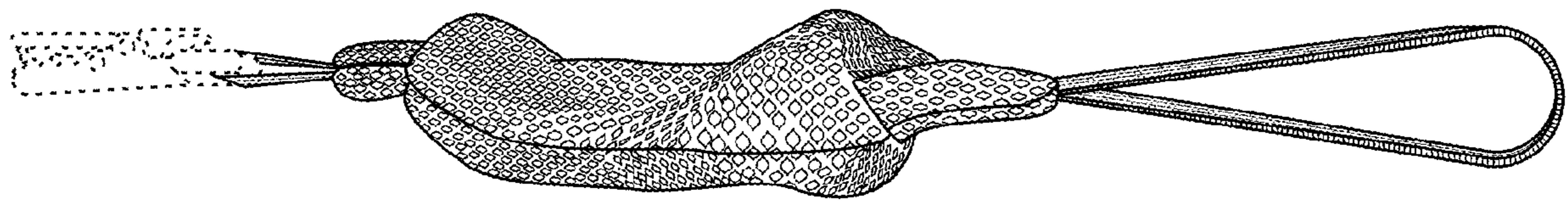


Figure. 4

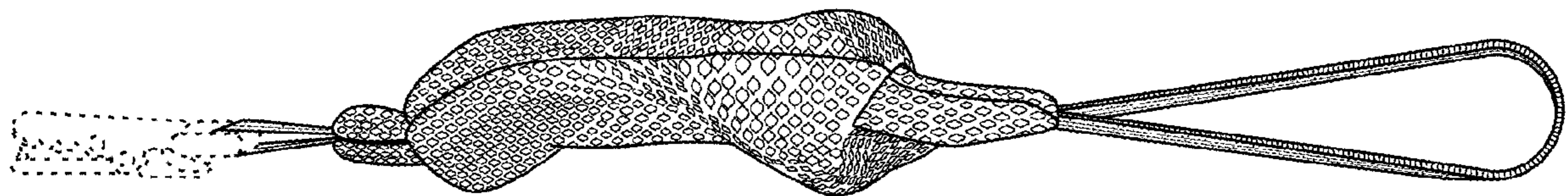


Figure. 5

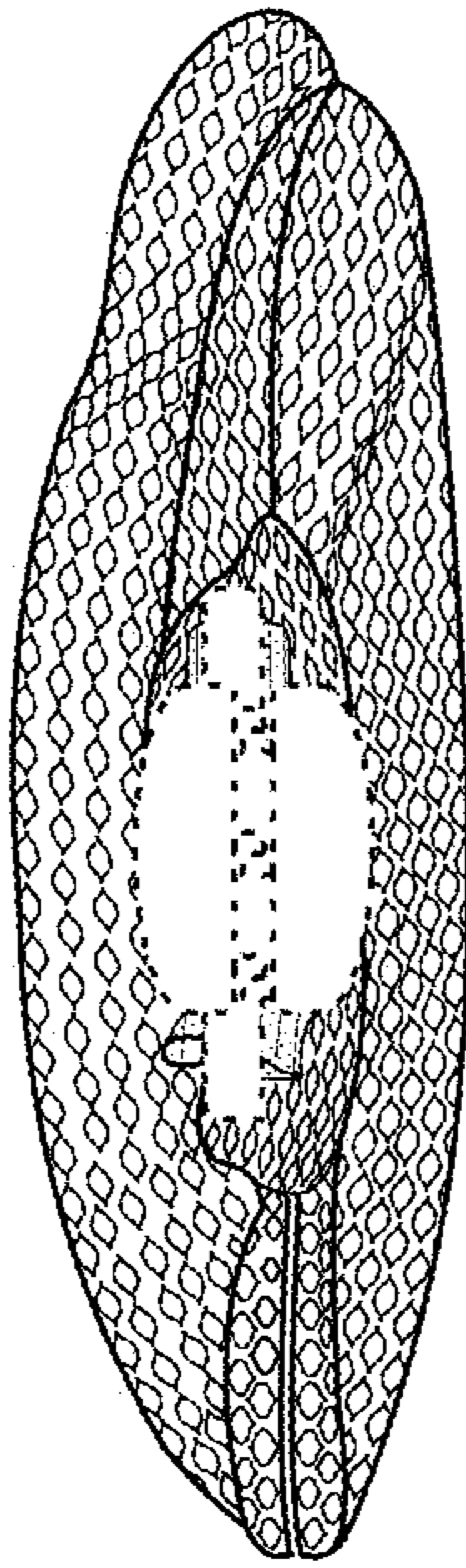


Figure. 6

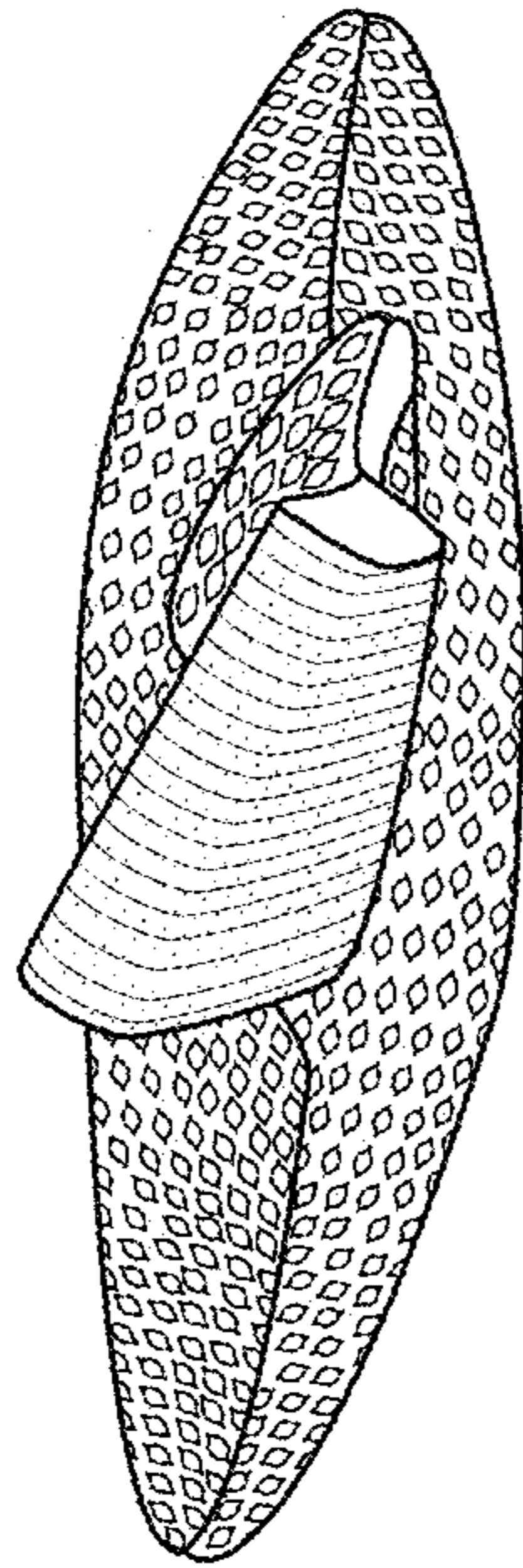


Figure. 7