



US00D947506S

(12) **United States Design Patent**  
**Brunner**

(10) **Patent No.:** **US D947,506 S**

(45) **Date of Patent:** **\*\* Apr. 5, 2022**

(54) **SHOE**

(71) Applicant: **On Clouds GmbH**, Zürich (CH)

(72) Inventor: **Thilo Alex Brunner**, Zürich (CH)

(73) Assignee: **ON CLOUDS GMBH**, Zürich (CH)

(\*\*) Term: **15 Years**

(21) Appl. No.: **35/510,008**

(22) Filed: **Jul. 21, 2020**

(80) **Hague Agreement Data**

Int. Filing Date: **Jul. 21, 2020**

Int. Reg. No.: **DM/209492**

Int. Reg. Date: **Jul. 21, 2020**

Int. Reg. Pub. Date: **Aug. 7, 2020**

(30) **Foreign Application Priority Data**

Feb. 5, 2020 (CH) ..... 2020-00056

(51) **LOC (13) Cl.** ..... **02-04**

(52) **U.S. Cl.**

USPC ..... **D2/908**

(58) **Field of Classification Search**

USPC ..... D2/896, 902, 907, 908, 947, 951–953,  
D2/957, 958, 960

CPC ..... A43B 13/04; A43B 13/187; A43B 13/188;  
A43B 3/16; A43B 13/125; A43B 13/223;

A43B 13/122; A43B 13/141; A43B  
13/14; A43B 13/181; A43B 13/16; A43B

1/0009; A43B 7/32

See application file for complete search history.

(56) **References Cited**

U.S. PATENT DOCUMENTS

D848,123	S	*	5/2019	Gallo	.....	D2/907
D882,215	S	*	4/2020	Comazzetto	.....	D2/907
D891,042	S	*	7/2020	Gallo	.....	D2/902
D911,679	S	*	3/2021	Sartori	.....	D2/907
D913,668	S	*	3/2021	Boys	.....	D2/957
D918,554	S	*	5/2021	Bidal	.....	D2/957
2010/0275470	A1	*	11/2010	Hoffer	.....	A43B 13/186 36/3 R
2018/0295934	A1	*	10/2018	Bernhard	.....	A43B 13/181

\* cited by examiner

*Primary Examiner* — Jennifer L Watkins

(74) *Attorney, Agent, or Firm* — Pauley Erickson & Swanson

(57) **CLAIM**

The ornamental design for a shoe, as shown and described.

**DESCRIPTION**

1. Shoe

Fig. 1.1 is a bottom view of a shoe, according to the invention;

Fig. 1.2 is a top view of the shoe shown in Fig. 1.1;

Fig. 1.3 is a side view of the shoe shown in Fig. 1.1;

Fig. 1.4 is a side view, opposite the side view shown in Fig. 1.3, of the shoe shown in Fig. 1.1;

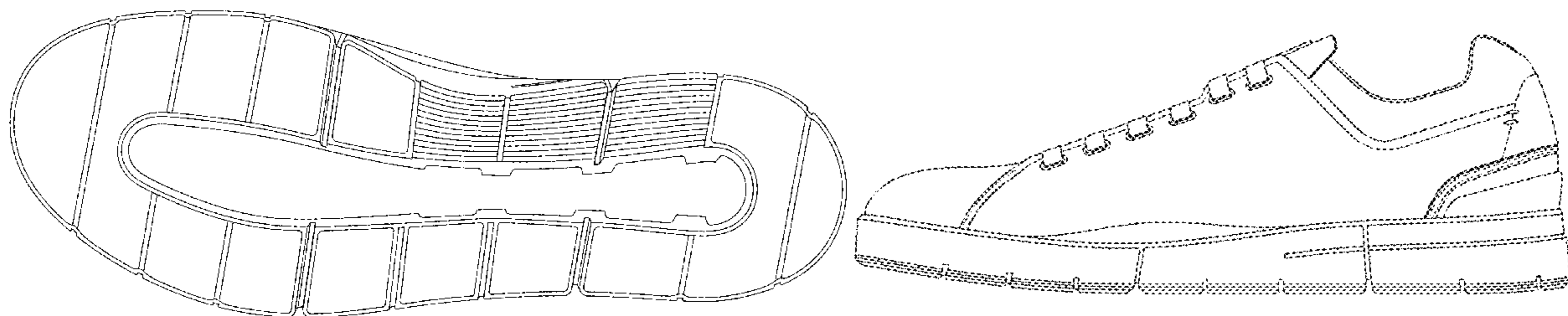
Fig. 1.5 is a front view of the shoe shown in Fig. 1.1;

Fig. 1.6 is a rear view of the shoe shown in Fig. 1.1; and

Fig. 1.7 is a bottom perspective view of the shoe shown in Fig. 1.1.

The dashed lines in the drawings depict stitching and form no part of the claim.

**1 Claim, 7 Drawing Sheets**



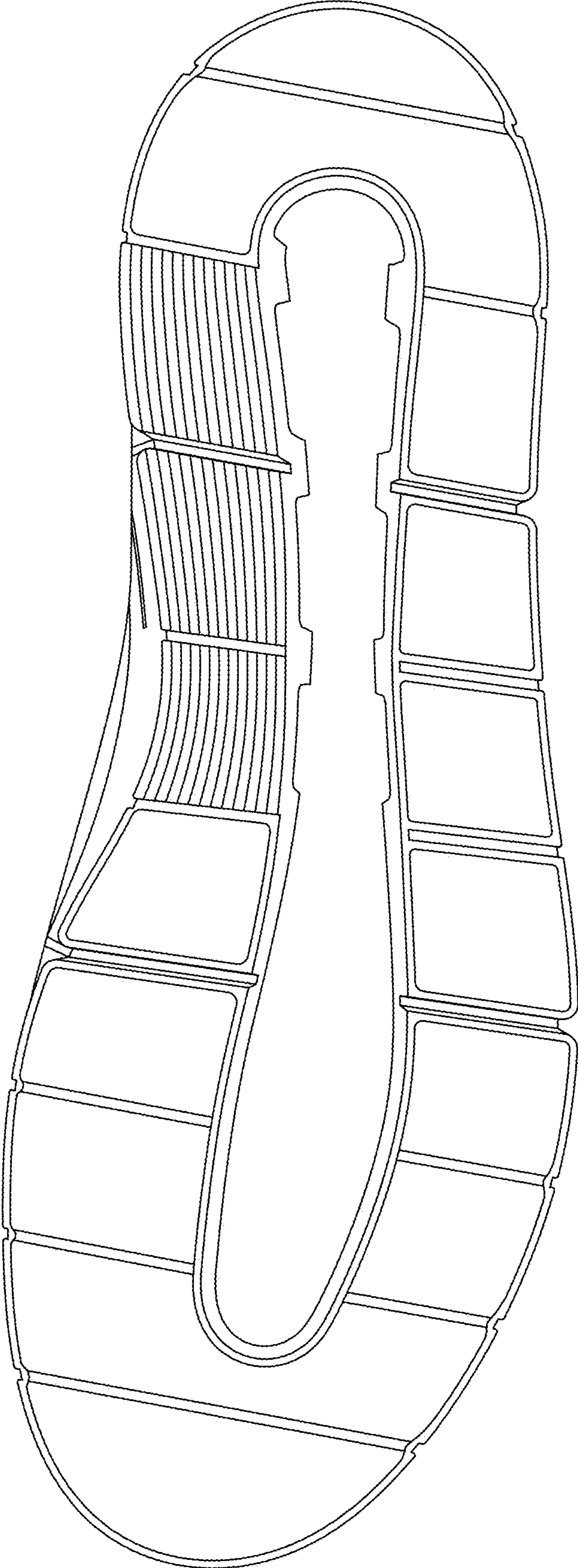


Fig. 1.1

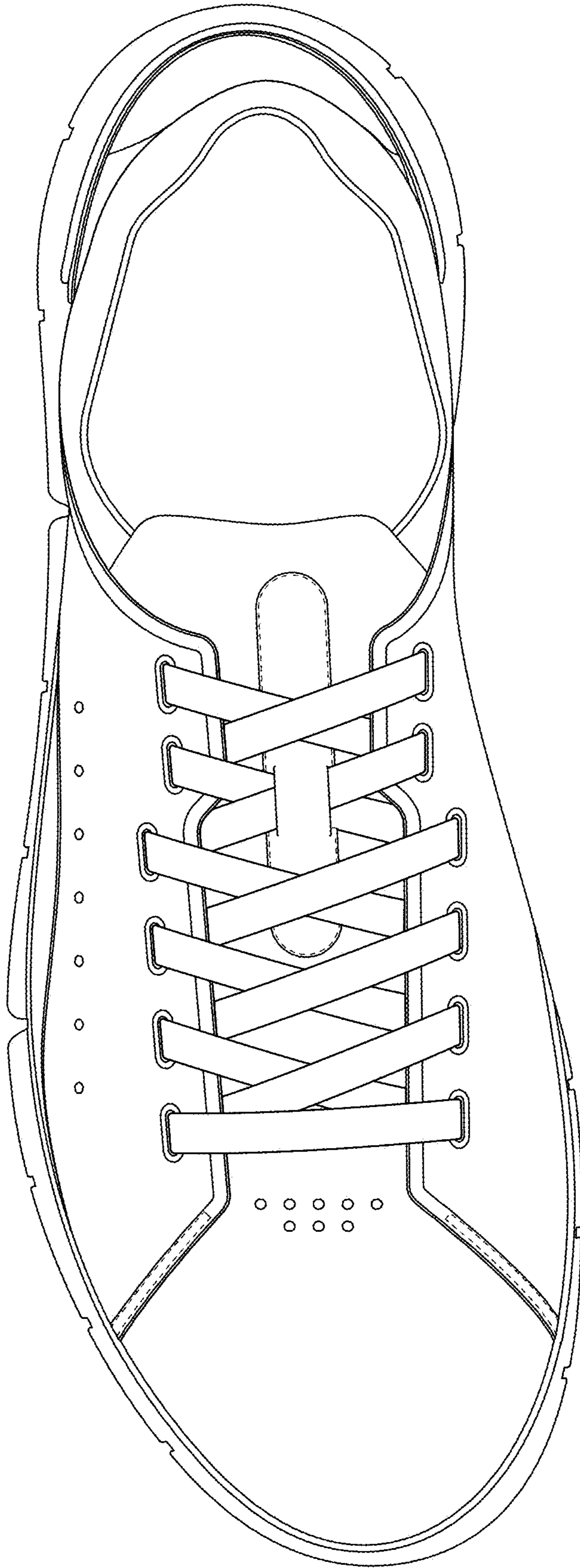
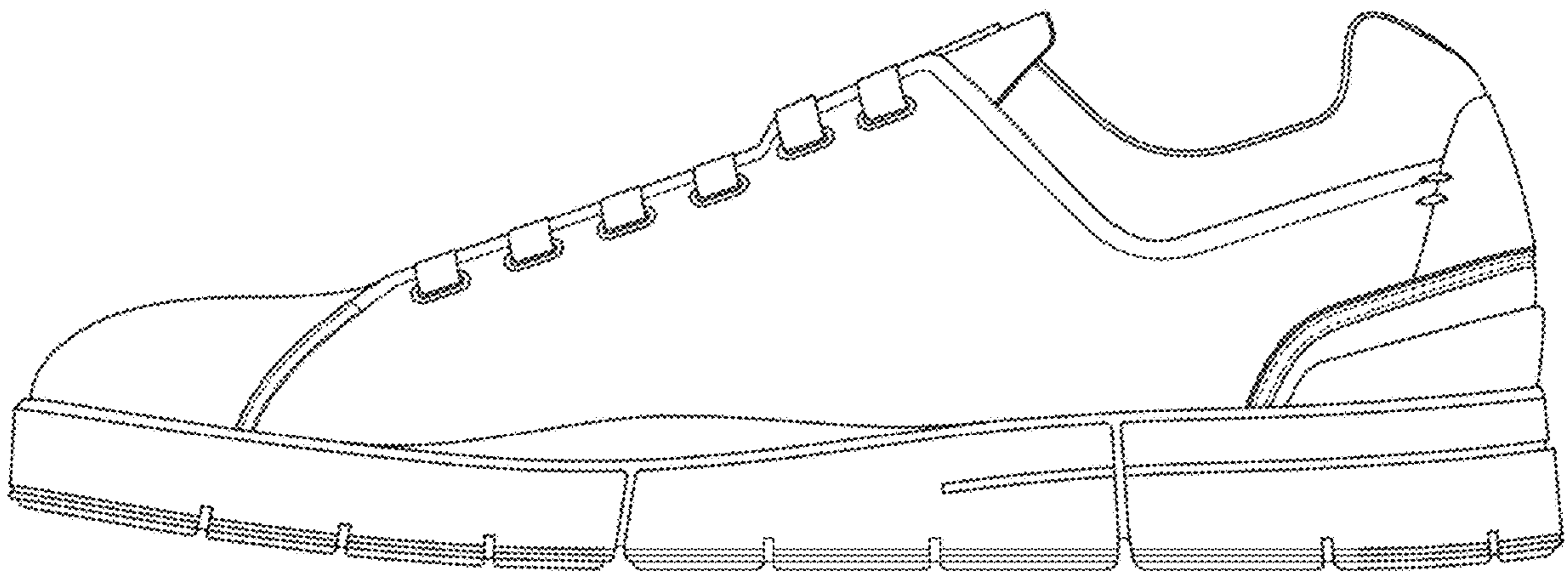


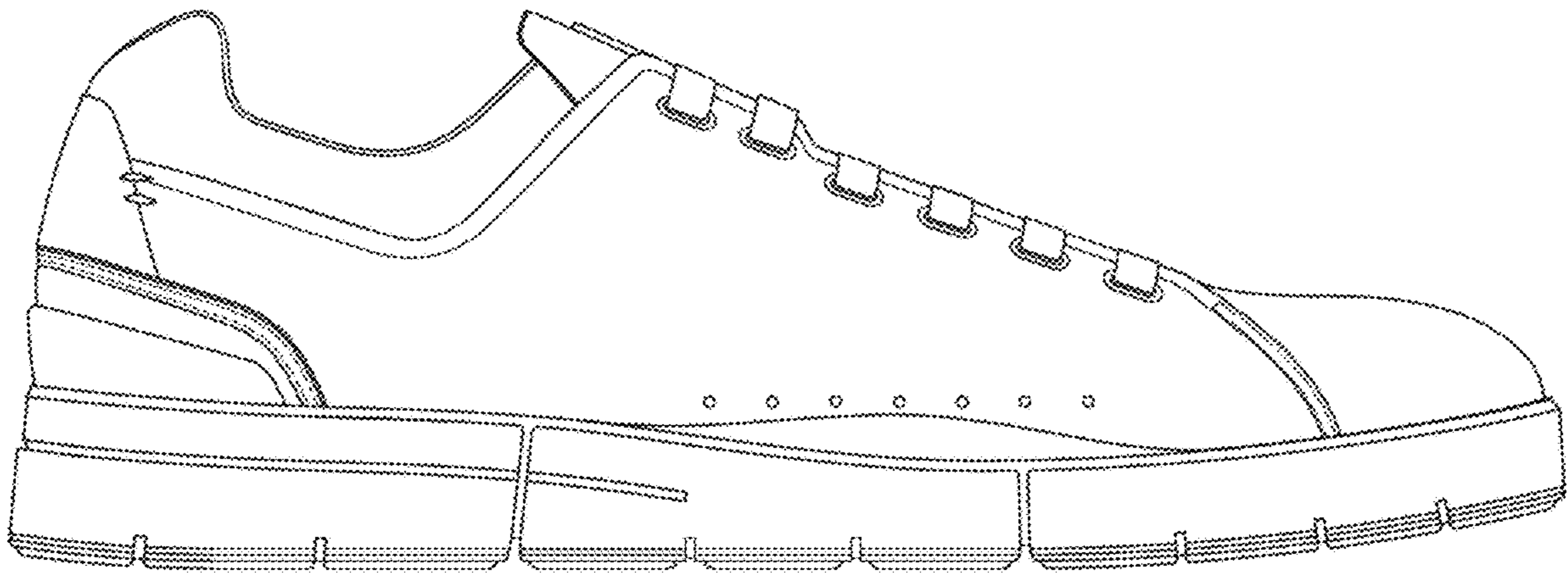
Fig. 1.2

1.3

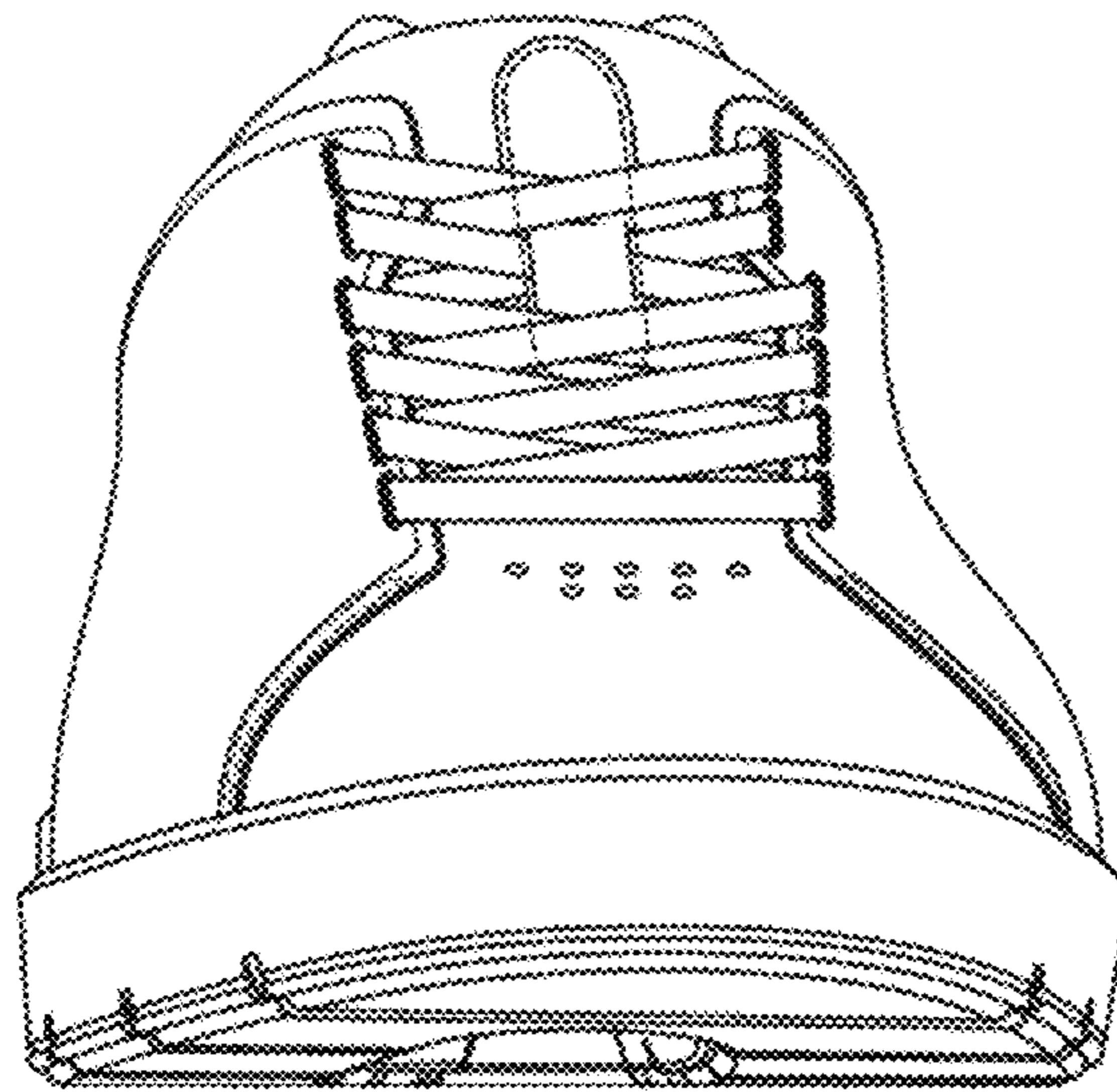




1.4



1.5



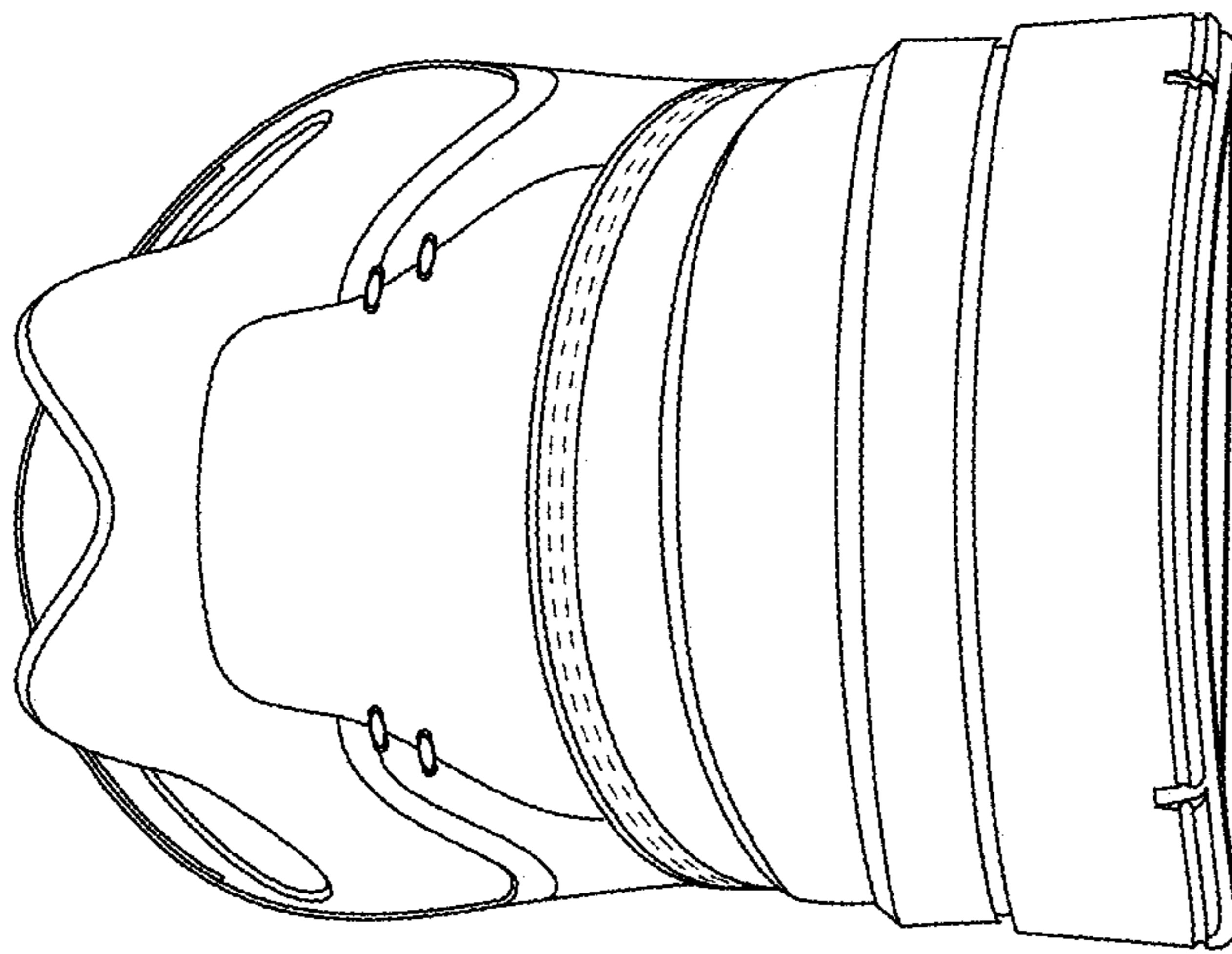


Fig. 1.6

1.7

