



US00D947502S

(12) **United States Design Patent**
Benshoof

(10) **Patent No.:** **US D947,502 S**

(45) **Date of Patent:** **** Apr. 5, 2022**

- (54) **HAT**
- (71) Applicant: **Sombra wear llc**, Encinitas, CA (US)
- (72) Inventor: **Thaddeus Paul Benshoof**, Encinitas, CA (US)
- (**) Term: **15 Years**
- (21) Appl. No.: **29/749,399**
- (22) Filed: **Sep. 4, 2020**
- (51) **LOC (13) Cl.** **02-03**
- (52) **U.S. Cl.**
USPC **D2/876**
- (58) **Field of Classification Search**
USPC D2/865, 866, 871, 872, 873, 874, 875,
D2/876, 877, 882, 884, 891, 894, 886
CPC .. A41D 20/00; A42B 1/00; A42B 1/02; A42B
1/062; A42B 1/201; A42B 1/22; A42B
1/225; A42C 5/02; A42C 5/04
See application file for complete search history.

9,149,085 B2 * 10/2015 Bryan A42B 3/227
 D793,674 S * 8/2017 Flatt D2/876
 D920,636 S * 6/2021 Howell D2/876
 D921,335 S * 6/2021 Morton D2/876

OTHER PUBLICATIONS

Presely, [online]; [internet publication date unknown]; [retrieved from the internet on Aug. 13, 2021]; URL: <https://sombrowear.com/product/presley-olive/>. (1 pg.). (Year: 2021).*

Sombra Sun Hat, [online]; [review published to the internet on May 15, 2020]; [retrieved from the Internet on Aug. 13, 2021]; URL: <https://vuoriclothing.com/products/womens-sombra-sun-hat-olive?variant=23497842491450>. (6 pgs.). (Year: 2020).*

* cited by examiner

Primary Examiner — Jasmine Mlinarcik
 (74) *Attorney, Agent, or Firm* — Eric Hanscom

(57) **CLAIM**

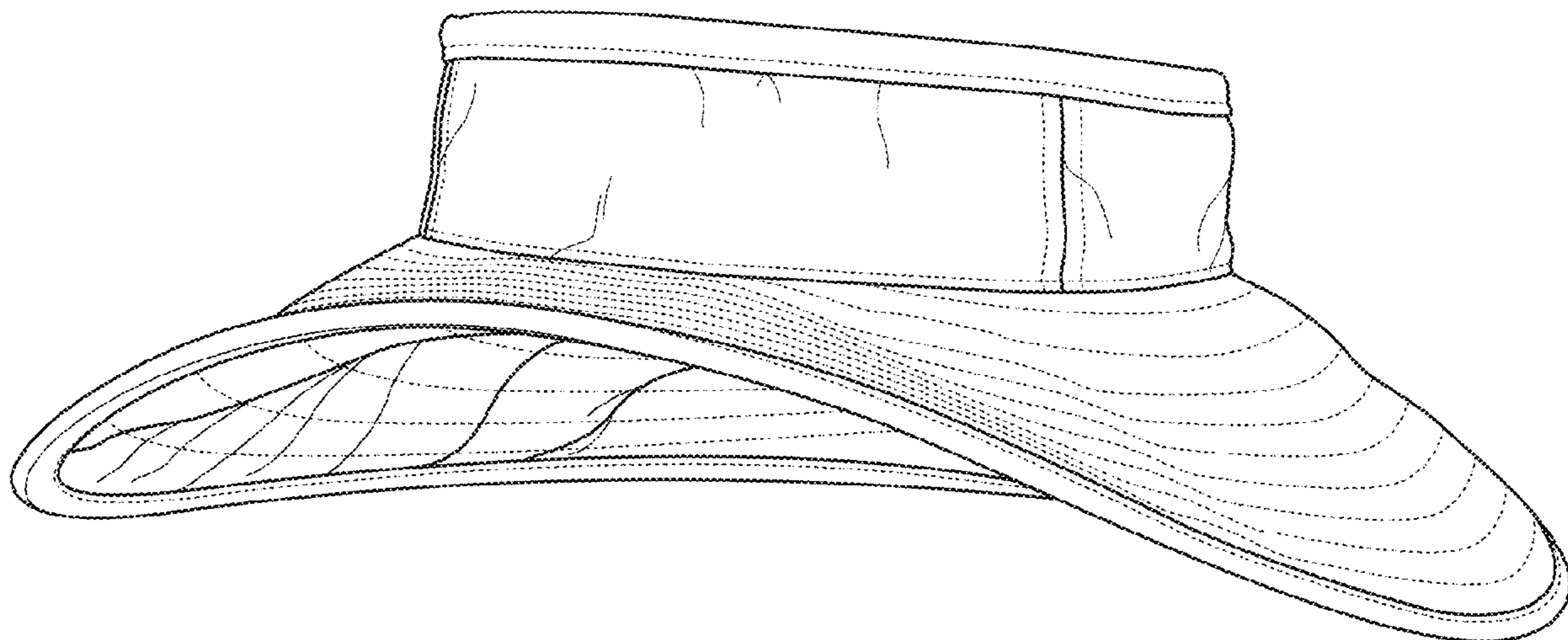
The ornamental design for a hat, as shown and described.

DESCRIPTION

FIG. 1 is a front, top perspective view of a hat showing my new design;
 FIG. 2 is a front, bottom perspective view thereof;
 FIG. 3 is a back, perspective view thereof;
 FIG. 4 is a left-side view thereof;
 FIG. 5 is a right-side view thereof;
 FIG. 6 is a top view thereof; and,
 FIG. 7 is a bottom view thereof.
 The dotted lines in the drawings indicate stitch liens that form no part of the claimed design.

1 Claim, 5 Drawing Sheets

- (56) **References Cited**
U.S. PATENT DOCUMENTS
- 2,185,306 A * 1/1940 Marks A42B 1/04
2/209.3
- D487,953 S * 4/2004 Trudeau D2/886
- D502,589 S * 3/2005 Lee D2/876
- D525,413 S * 7/2006 Javits, Jr. D2/875
- D588,785 S * 3/2009 Cho D2/876
- D659,292 S * 5/2012 Bryan D29/122
- D720,502 S * 12/2014 Schrock D29/122
- D720,892 S * 1/2015 Bryan D29/122
- D732,243 S * 6/2015 Votel D29/122



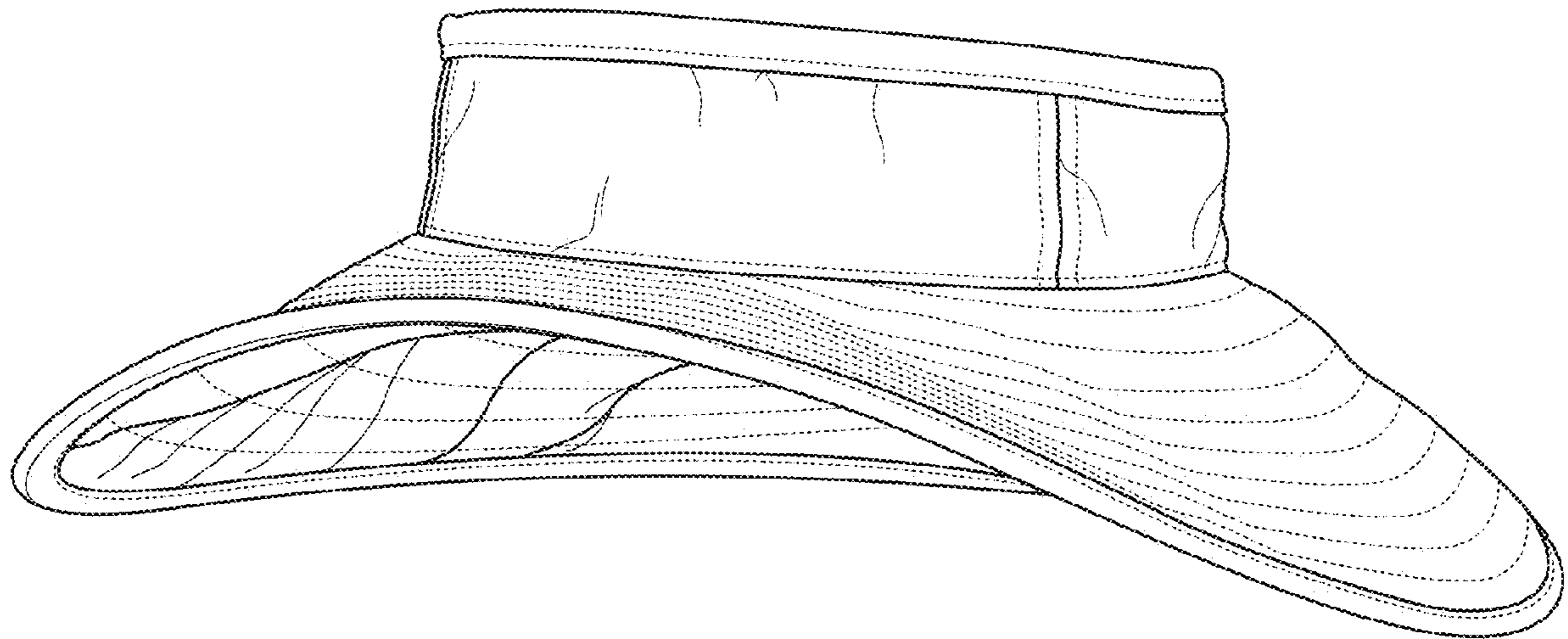


FIG. 1

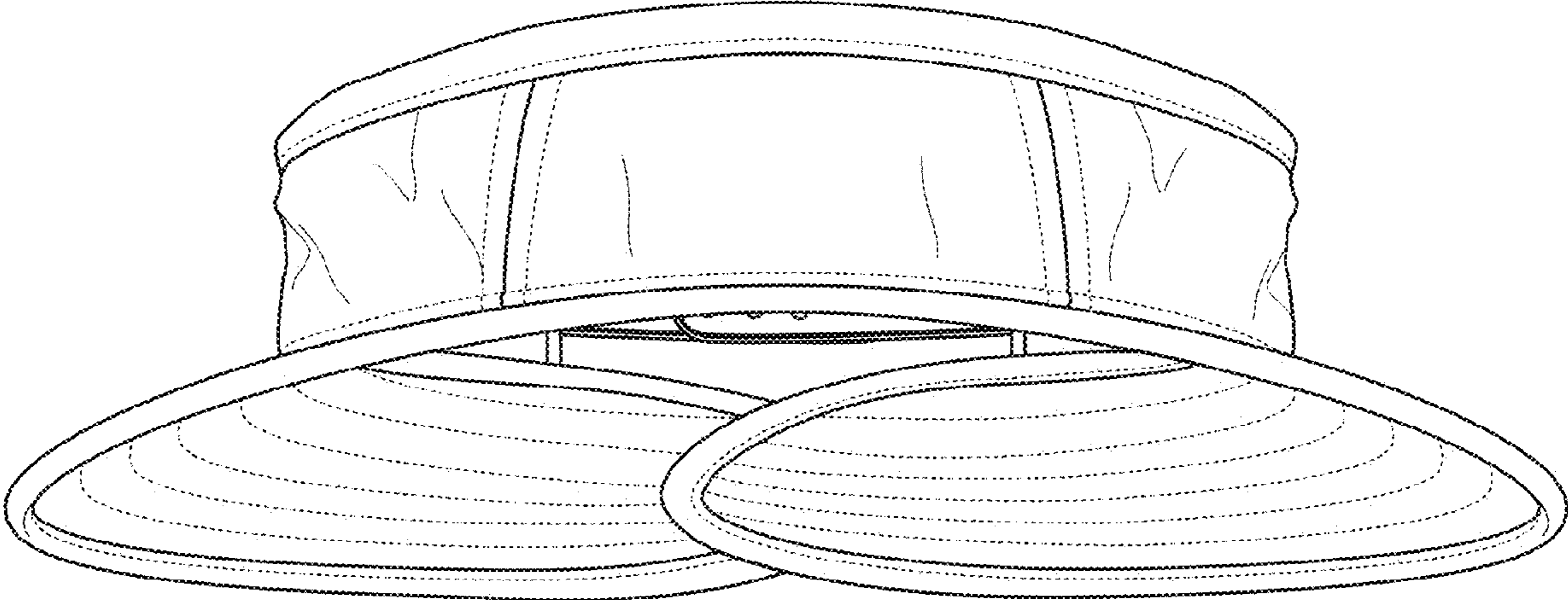


FIG. 2

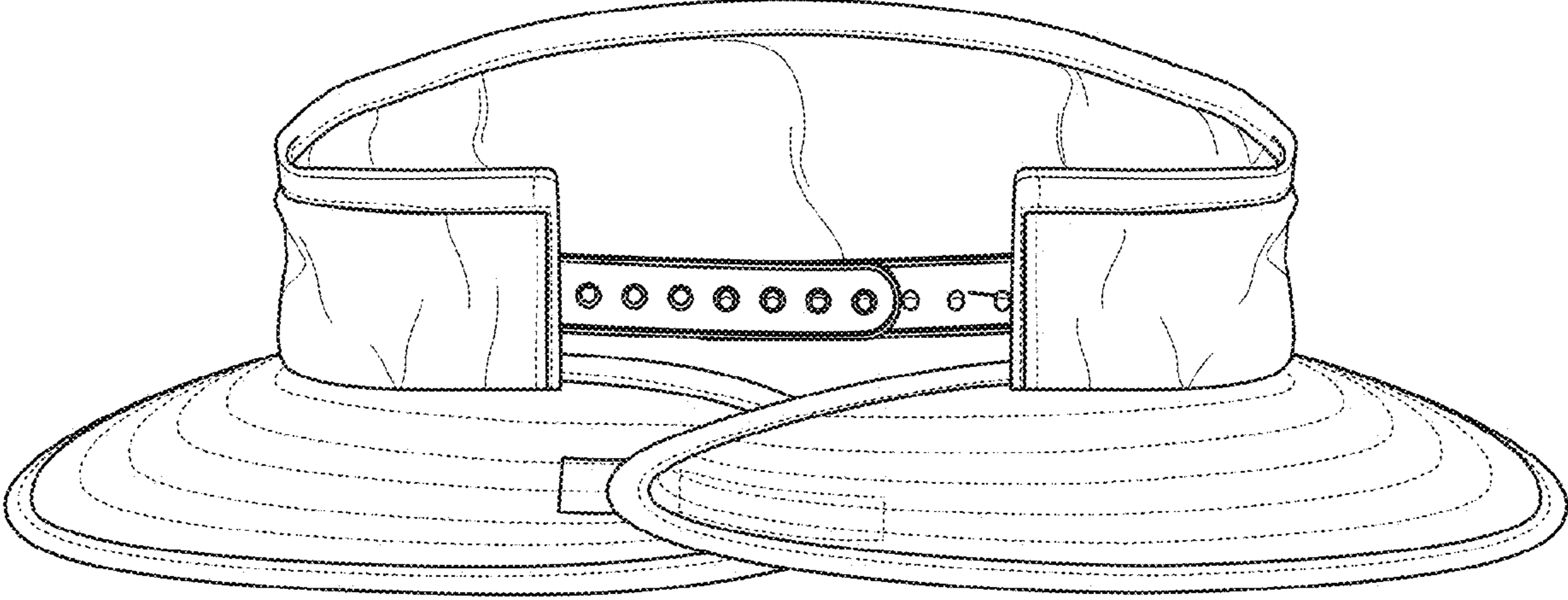


FIG. 3

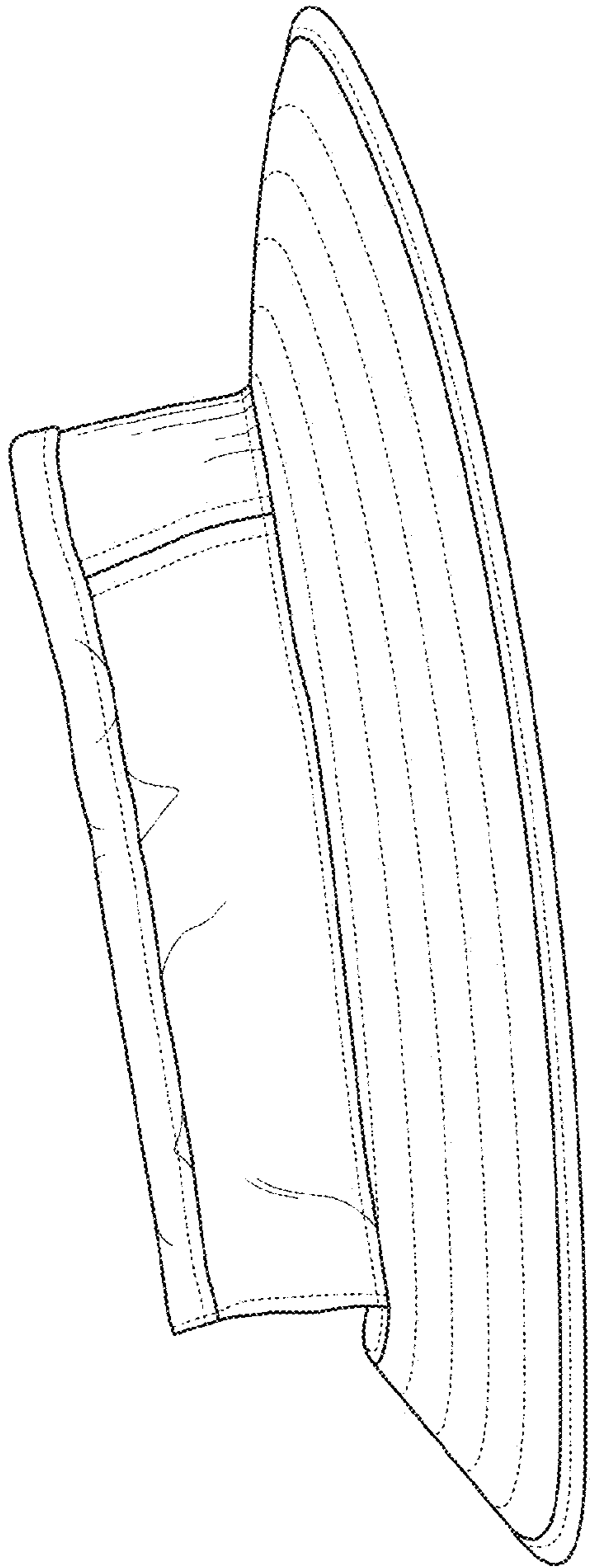


FIG. 4

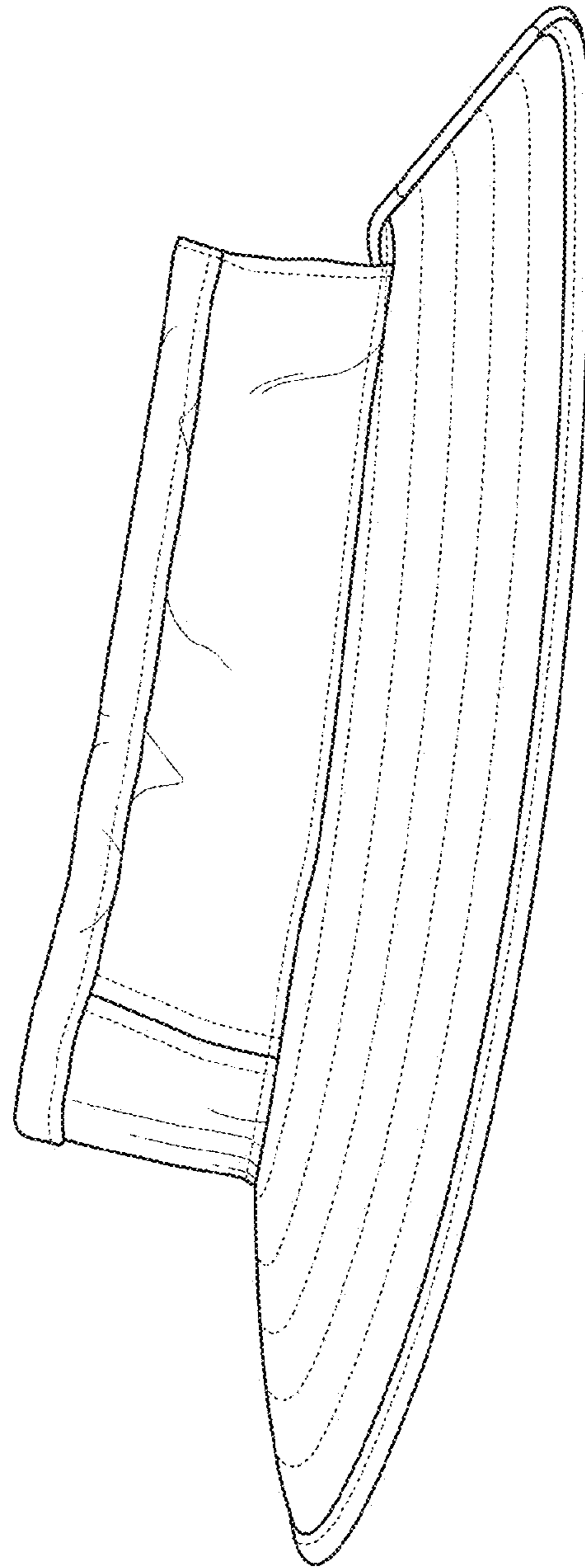


FIG. 5

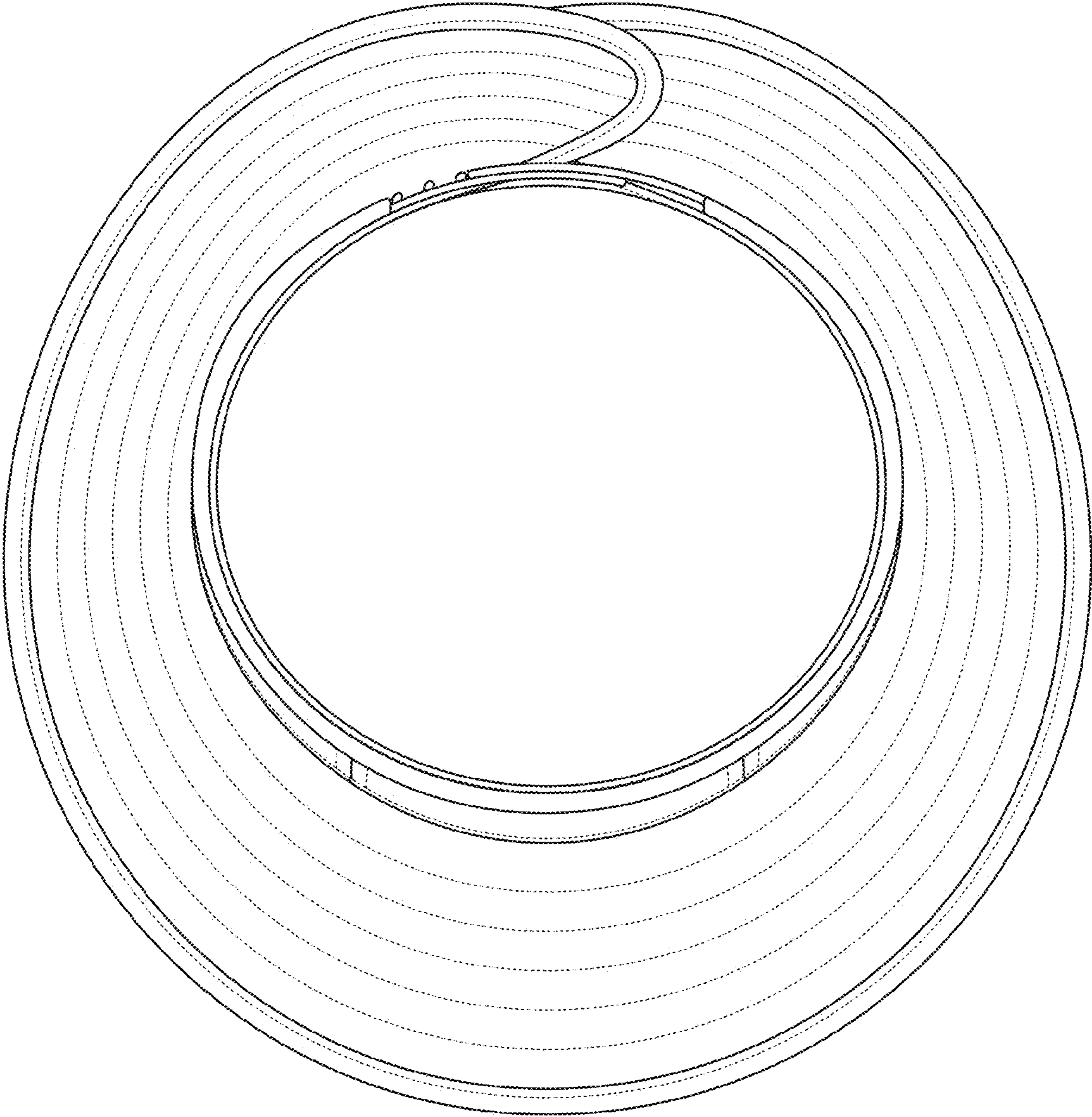


FIG. 6

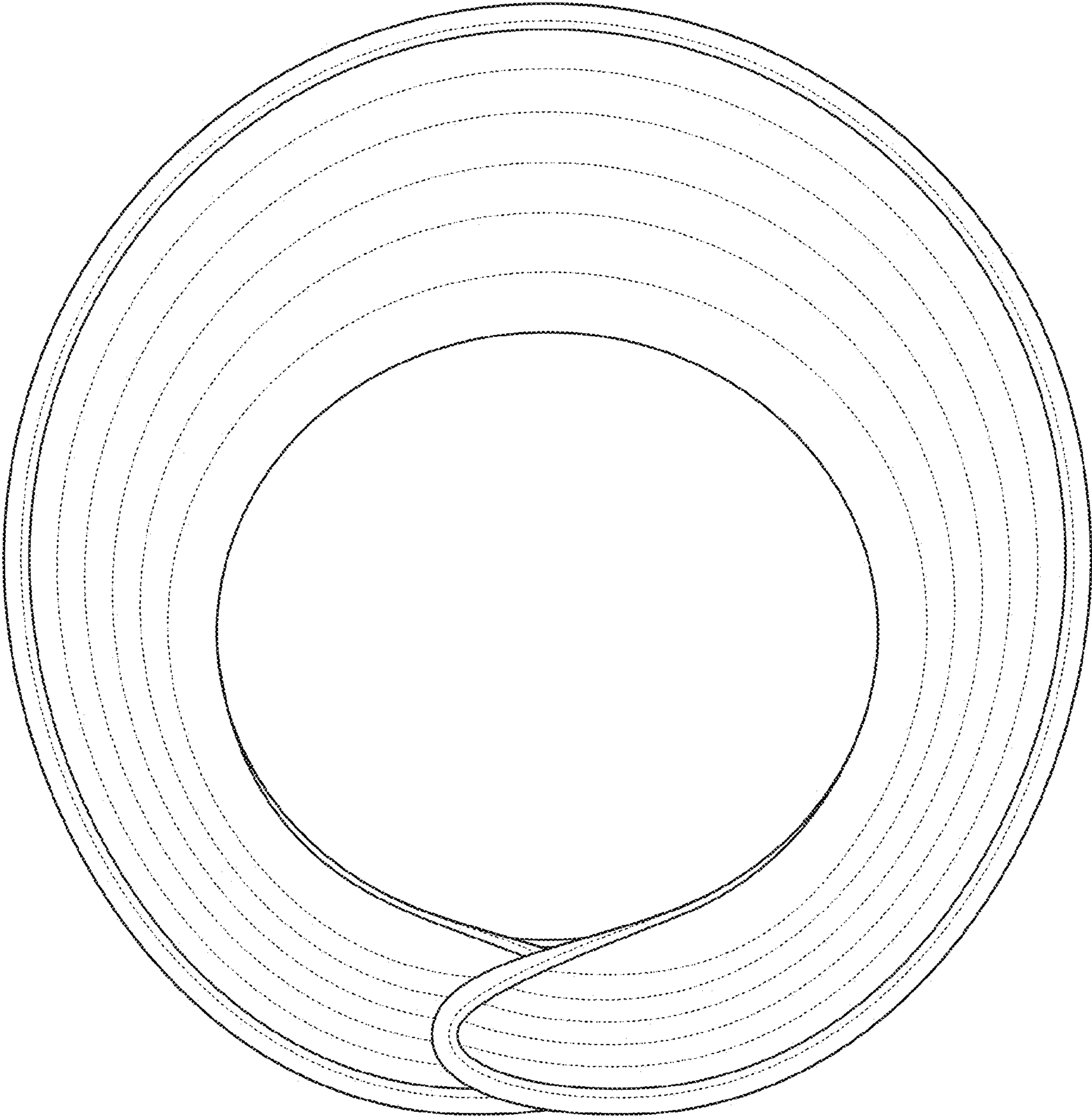


FIG. 7