



US00D947500S

(12) **United States Design Patent**  
**Bogdan et al.**

(10) **Patent No.:** **US D947,500 S**  
(45) **Date of Patent:** **\*\* Apr. 5, 2022**

(54) **GARMENT WITH BACK OPENING**

2,804,624 A \* 9/1957 Schattel ..... A41D 13/046  
2/49.3

(71) Applicant: **TARGET BRANDS, INC.**,  
Minneapolis, MN (US)

3,369,256 A \* 2/1968 Kern ..... A41D 13/1236  
2/114

(72) Inventors: **Marilyn Anderson Bogdan**,  
Minneapolis, MN (US); **Katherine Nelson**,  
Minneapolis, MN (US)

4,644,590 A 2/1987 Pincham  
4,674,132 A 6/1987 Stein et al.  
4,864,657 A 9/1989 Lake

(Continued)

(73) Assignee: **TARGET BRANDS, INC.**,  
Minneapolis, MN (US)

**OTHER PUBLICATIONS**

(\*\*) Term: **15 Years**

Men's Cotton/Cashmere Sweater, Quarter Zip by L.L. Bean, posted to llbean.com. Available date: Feb. 15, 2012 [site visited Sep. 17, 2021] Available: <<https://www.llbean.com/llb/shop/73109?csp=s&feat=594-ecdmotd#review-jump>> (Year: 2012).\*

(21) Appl. No.: **29/751,413**

(Continued)

(22) Filed: **Sep. 21, 2020**

**Related U.S. Application Data**

*Primary Examiner* — Kevin K Rudzinski  
(74) *Attorney, Agent, or Firm* — JoAnn M. Seaton;  
Griffiths & Seaton PLLC

(62) Division of application No. 29/637,029, filed on Feb. 13, 2018, now Pat. No. Des. 898,329.

(51) **LOC (13) Cl.** ..... **02-02**

(52) **U.S. Cl.**  
USPC ..... **D2/840**

(58) **Field of Classification Search**  
USPC ..... D2/840, 850, 849, 828, 720, 717  
CPC ..... A41D 13/12; A41D 13/00  
See application file for complete search history.

(57) **CLAIM**

The ornamental design for a garment with back opening, as shown and described.

(56) **References Cited**

**DESCRIPTION**

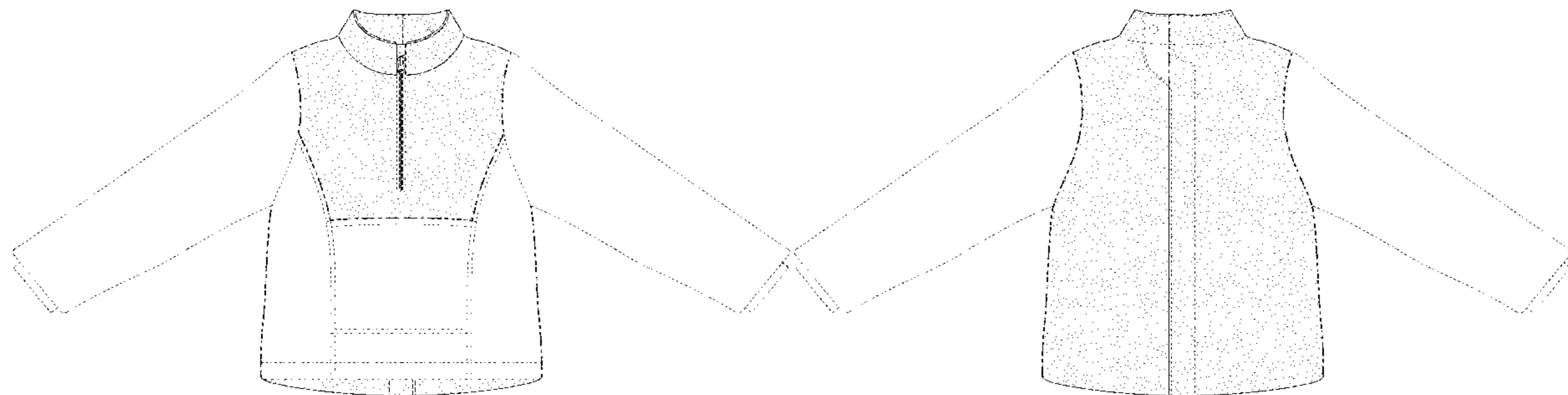
**U.S. PATENT DOCUMENTS**

- 1,168,698 A \* 1/1916 Andrews ..... A41D 1/02  
2/93
- 1,626,024 A 4/1927 Crane
- D130,692 S \* 12/1941 Lardner ..... D2/828
- 2,374,643 A \* 5/1945 Boettcher ..... A42B 1/046  
2/114
- 2,497,764 A \* 2/1950 Doughty ..... A41D 13/1236  
2/114
- 2,686,914 A \* 8/1954 Weiser ..... A41D 13/1236  
2/114

FIG. 1 is a front, perspective view of a garment with back opening showing our new design;  
FIG. 2 is a front view thereof;  
FIG. 3 is a rear view thereof;  
FIG. 4 is a right side view thereof;  
FIG. 5 is a left side view thereof;  
FIG. 6 is a top view thereof; and,  
FIG. 7 is a bottom view thereof.

The broken lines depict portions of the garment with back opening and form no part of the claimed design. The long dash-short dash bolded broken lines indicate the bounds of the claimed design and otherwise form no part of the claimed design.

**1 Claim, 4 Drawing Sheets**



(56)

References Cited

U.S. PATENT DOCUMENTS

4,920,578	A	5/1990	Janzen et al.	
5,084,914	A	2/1992	Hesch	
5,184,351	A *	2/1993	Benstock .....	A41D 13/1236 2/105
D356,204	S	3/1995	Derrickson	
5,410,758	A	5/1995	Dupont et al.	
5,419,758	A	5/1995	Dupont et al.	
D359,837	S *	7/1995	Brannon .....	D2/714
5,572,742	A	11/1996	McFadden	
5,799,330	A	9/1998	Odonoghue-Kitt	
5,911,312	A	6/1999	Holyfield	
D431,344	S	10/2000	Briceno	
D435,329	S	12/2000	Stewart	
6,216,270	B1	4/2001	Moquin et al.	
D563,628	S	3/2008	Corbin et al.	
D622,479	S *	8/2010	Herzog .....	D2/720
D624,280	S	9/2010	Halseth	
D635,334	S	4/2011	Eckman et al.	
D635,335	S	4/2011	Eckman et al.	
D635,739	S	4/2011	Toms et al.	
8,566,964	B1	10/2013	Acosta	
D734,924	S	7/2015	Emery	
9,089,174	B1	7/2015	Michaelis	
D760,474	S	7/2016	Alonzo	
D831,934	S	10/2018	Lee	
D834,787	S	12/2018	Picot	
D868,424	S	12/2019	Gelati	
D898,329	S *	10/2020	Bogdan .....	D2/850
2003/0014802	A1 *	1/2003	Benham .....	A41D 15/00 2/69
2004/0010837	A1 *	1/2004	Graves .....	A41D 13/1254 2/114
2005/0193469	A1	9/2005	Moore	
2008/0184455	A1 *	8/2008	Blume .....	A41D 13/1281 2/114
2010/0242150	A1 *	9/2010	Trouillot .....	A41D 13/1245 2/114

OTHER PUBLICATIONS

Polartec Back-Open Jacket by Adaptations by Adrian, posted to adaptationsbyadrian.com. Unknown date [site visited Sep. 17, 2021] Available: <<https://www.adaptationsbyadrian.com/product-p/361-367.htm>> (Year: NA).\*

“Grey Zip Back Jumpsuit Style Bodysuit Wonsie”, printed from <https://wonsie.com.au/collections/back-zip-wonsie/products/zip-back-bodysuit-wonsie>, publicly available at least as early as Feb. 17, 2017, per <http://web.archive.org> (9 pages).

“Wheelchair Users Now Have a Clothing Line That Fits Their Needs”, printed from [www.fastcompany.com/3057044/wheelchair-users-now-have-a-...&utm\\_medium=social&utm\\_source=facebook.com&utm\\_campaign=buffer](http://www.fastcompany.com/3057044/wheelchair-users-now-have-a-...&utm_medium=social&utm_source=facebook.com&utm_campaign=buffer), printed on Feb. 25, 2016 (3 pages).

“R215 Adults Back Fastening Hunter Jackets”, printed from [www.disabled-clothing.co.uk/disabled-adults-clothing/r215-adults-back-fastening-hunter-jackets.html#.WSh5WTOZM48](http://www.disabled-clothing.co.uk/disabled-adults-clothing/r215-adults-back-fastening-hunter-jackets.html#.WSh5WTOZM48), publicly available at least as early as Jan. 17, 2017, per <http://web.archive.org> (2 pages).

“Dignity Pajamas Mens Cotton Short Sleeve Adaptive Open Back Hospice Patient Gown Sleepwear”, printed from [www.dignitypajamas.com/Mens-Short-sleeve-hospice-sleepwear-pajama-p/ss-102.htm](http://www.dignitypajamas.com/Mens-Short-sleeve-hospice-sleepwear-pajama-p/ss-102.htm), publicly available at least as early as Jun. 21, 2017 (2 pages).

“Kinlock Jacket (Backopening and Rain Resistant)”, printed from [www.capr-style.com/product/kinlock-jacket-backopening-and-rain-resistant-3/](http://www.capr-style.com/product/kinlock-jacket-backopening-and-rain-resistant-3/), publicly available at least as early as Jan. 14, 2016, per <http://web.archive.org> (3 pages).

“Chemo Cozy Boys’ Fleece Jacket”, printed from [www.chemocozy.com/collections/chemo-cozy-kids/products/boys-fleece-jacket-yellow](http://www.chemocozy.com/collections/chemo-cozy-kids/products/boys-fleece-jacket-yellow), publicly available at least as early as Oct. 10, 2014, per <http://web.archive.org> (2 pages).

“Adaptive Clothing for Men—Open Back Snap Shirt”, printed from [www.pinterest.com/pin/321937073336055000/](http://www.pinterest.com/pin/321937073336055000/), publicly available at least as early as Jun. 29, 2017 (5 pages).

“Adapting Creatively: Split-back Wheelchair Jacket”, printed from <http://adaptingcreatively.blogspot.com/2010/11/split-back-wheelchair-jacket.html>, publicly available at least as early as Dec. 30, 2010 (12 pages).

“Ayr Jacket (Lengthened Front)”, printed from [www.capr-style.com/product/ayr-jacket-lengthened-front-2/](http://www.capr-style.com/product/ayr-jacket-lengthened-front-2/), publicly available at least as early as May 9, 2016, per <http://web.archive.org> (3 pages).

“Adaptive Winter Wheelchair Coat”, printed from [www.etsy.com/il-en/listing/477279301/adaptive-winter-wheelchair-coat](http://www.etsy.com/il-en/listing/477279301/adaptive-winter-wheelchair-coat), publicly available at least as early as Sep. 7, 2016 (3 pages).

“Adaptive Ladies Cardigan”, printed from [www.gerifashions.com/adaptive-ladies-cardigan-lat003/](http://www.gerifashions.com/adaptive-ladies-cardigan-lat003/), publicly available at least as early as May 14, 2017, per <http://web.archive.org> (2 pages).

“Adaptive Cardigans from Debra Lynn”, printed from [www.debralynncreations.ca/adaptive-cardigans.html](http://www.debralynncreations.ca/adaptive-cardigans.html), publicly available at least as early as Sep. 13, 2014 (4 pages).

Adaptive Clothing: Home Care Dressing Made Easier by Jane Zhdanova, posted to Ezra Home Care. Available date: Apr. 24, 2014 [site visited May 29, 2020] available: <<https://www.ezrahomecare.com/home-care-blog/adaptive-clothing-home-care-dressing-made-easier>> (Year: 2014).

Back Snap T-Shirt Short Sleeve posted to Adaptive Clothing Showroom. Available date: Jun. 30, 2016 [site visited May 29, 2020] Available: <<https://adaptiveclothingshowroom.com/back-snap-t-shirt-short-sleeve/>> (Year: 2016).

\* cited by examiner

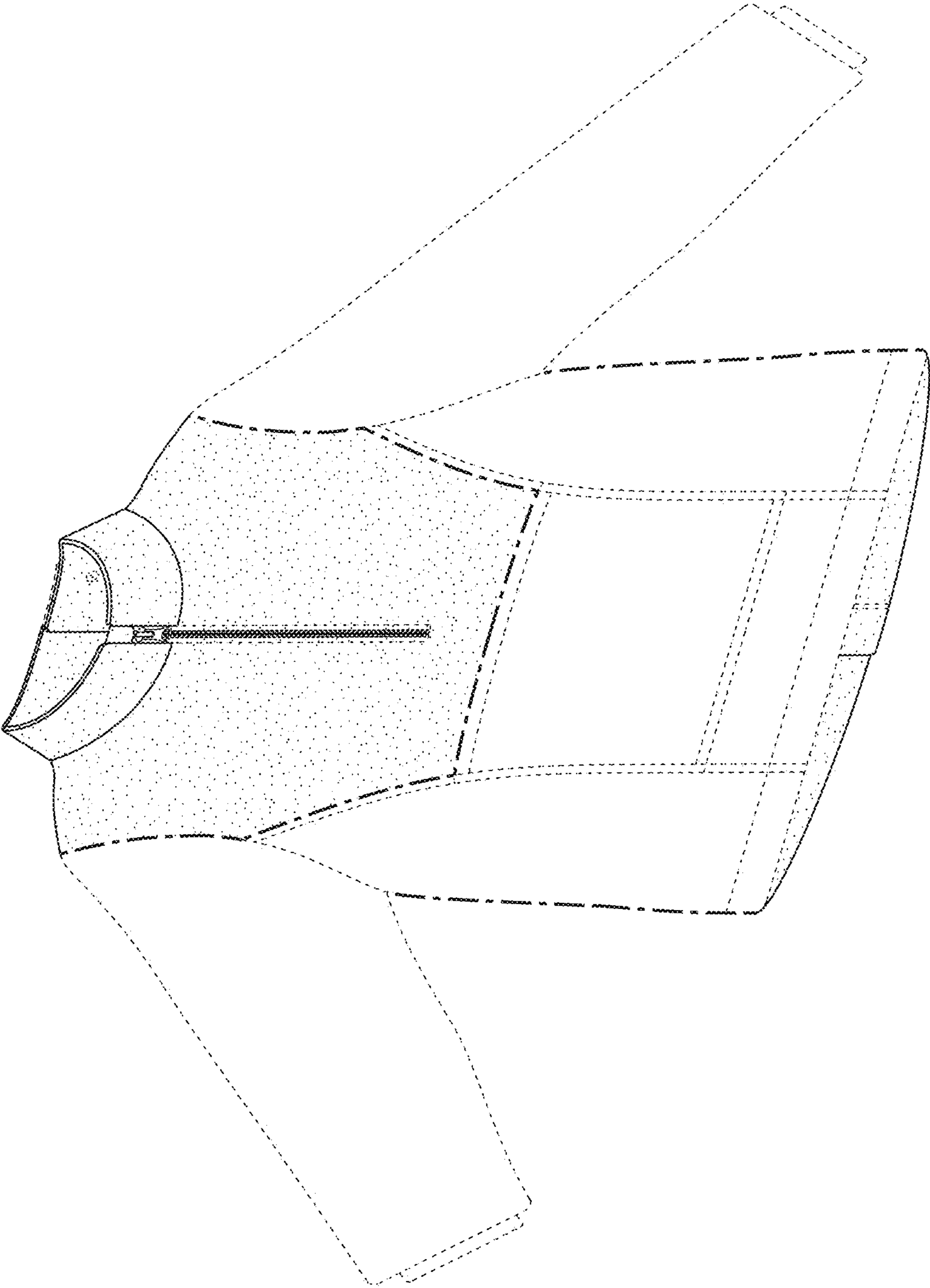


FIG. 1

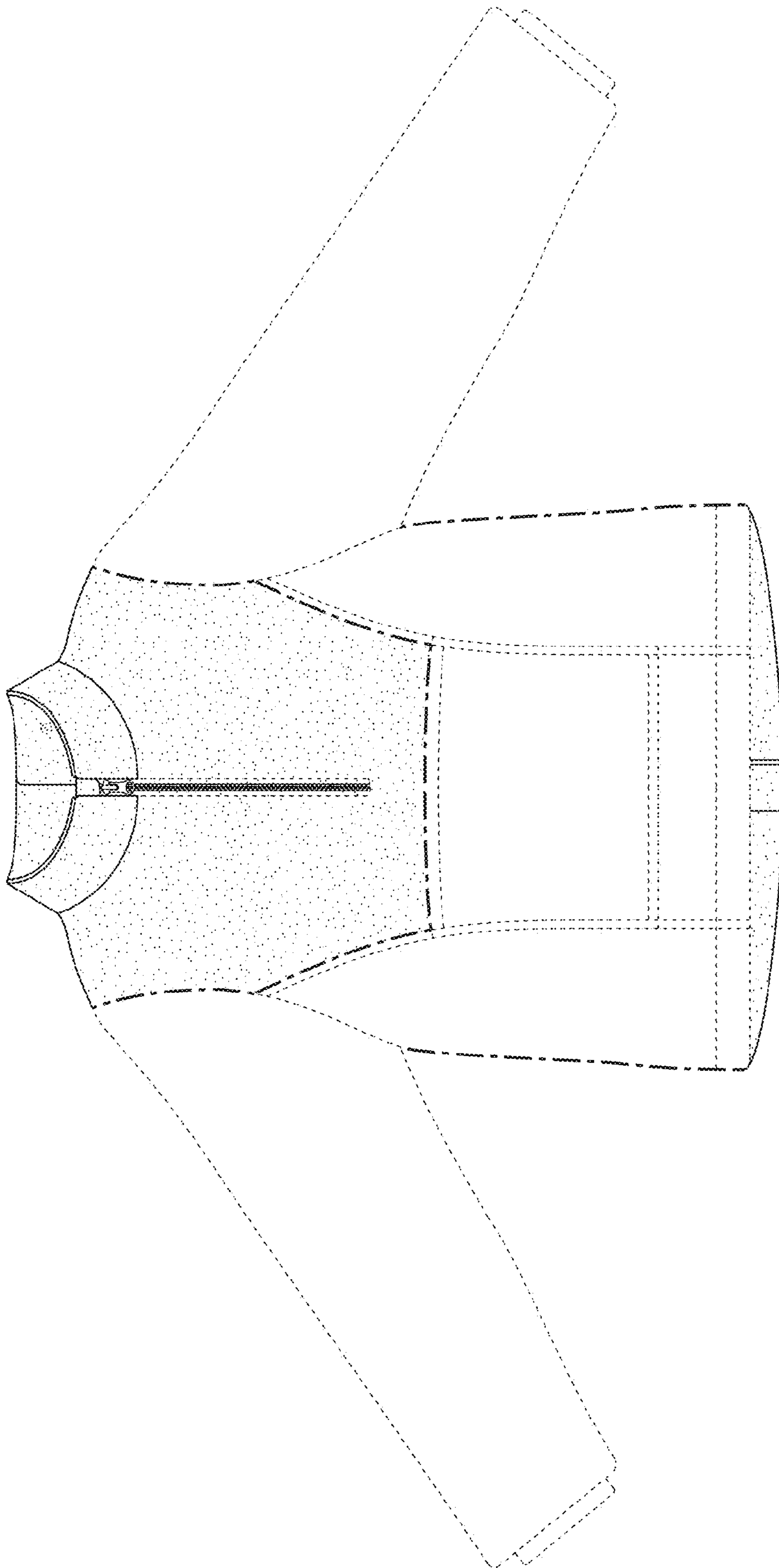


FIG. 2

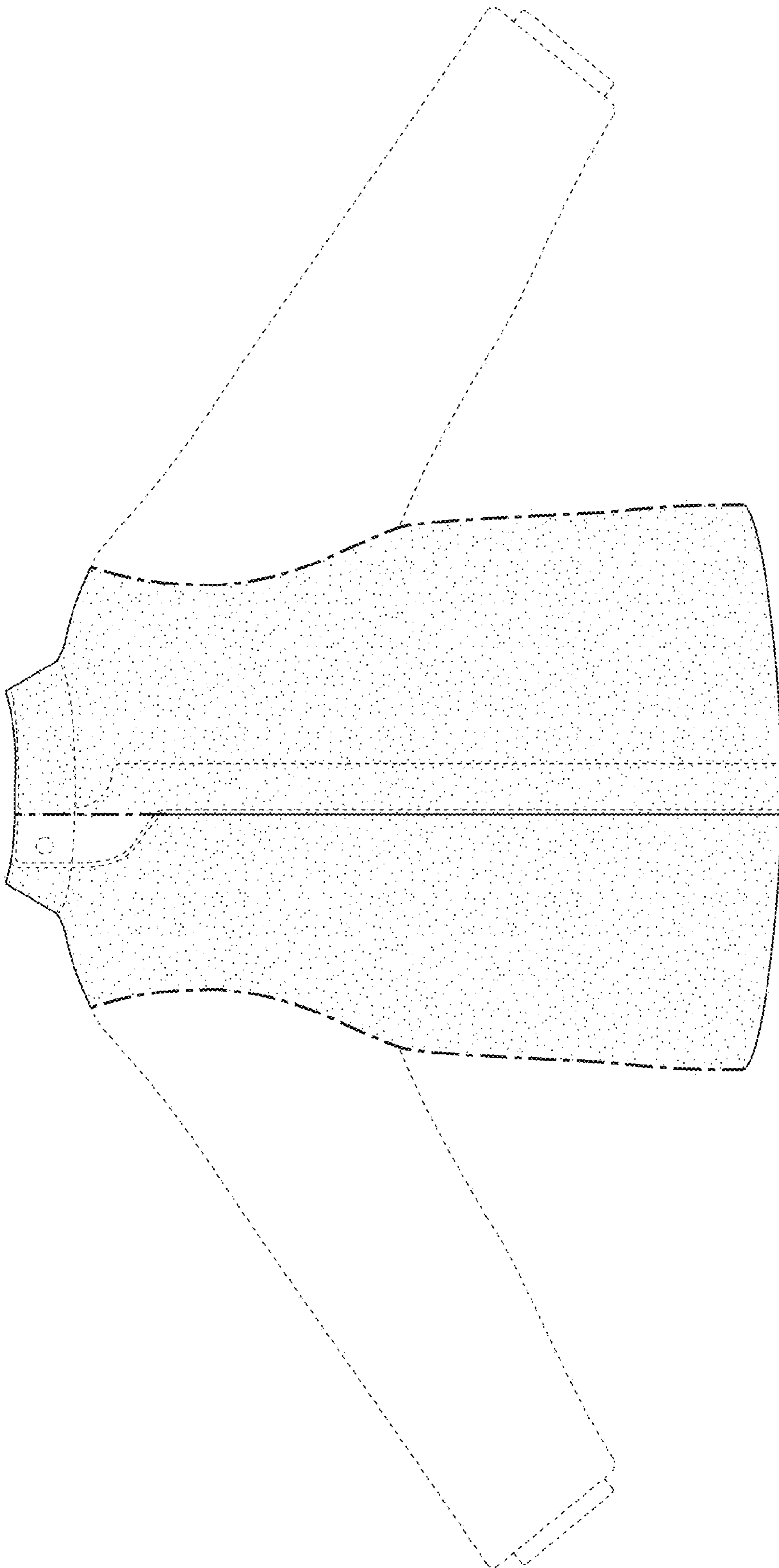


FIG. 3

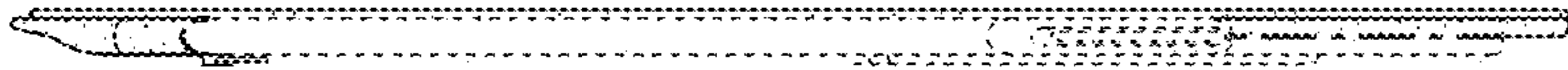


FIG. 4

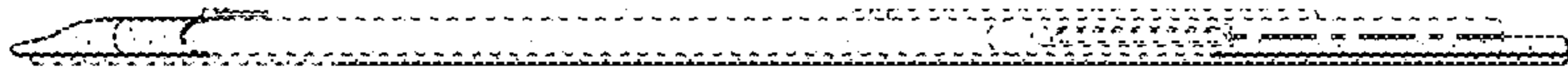


FIG. 5



FIG. 6



FIG. 7