



US00D947498S

(12) **United States Design Patent** (10) **Patent No.:** **US D947,498 S**
Burkley et al. (45) **Date of Patent:** **** Apr. 5, 2022**

(54) **PAIR OF PANTS** 5,131,100 A 7/1992 Atwater et al.
5,247,708 A 9/1993 Freese, Jr.
(71) Applicant: **Cowboys of the Sky Original Work** 5,551,084 A 9/1996 Freese, III
Pants, LLC, Wallkill, NY (US) 5,634,215 A * 6/1997 DeBaene A41D 1/067
2/227
(72) Inventors: **Lynette Burkley, Wallkill, NY (US);** 6,158,056 A 12/2000 Riley
Clark Myers, Wallkill, NY (US) 6,839,909 B1 1/2005 Prince
(Continued)

(73) Assignee: **Cowboys of the Sky Original Work**
Pants, LLC, Wallkill, NY (US)

FOREIGN PATENT DOCUMENTS

(**) Term: **15 Years**

CA 2510827 A1 6/2005
CN 202407122 9/2012
CN 204682561 10/2015

(21) Appl. No.: **29/662,493**

OTHER PUBLICATIONS

(22) Filed: **Sep. 6, 2018**

(51) **LOC (13) Cl.** **02-02**

Dickies Men's Relaxed-Fit Double-Knee Workhorse Jean. Sold on Amazon.com. Oct. 13, 2003. Accessed on Jul. 31, 2021. (Year: 2003).*

(52) **U.S. Cl.**
USPC **D2/742**

(Continued)

(58) **Field of Classification Search**
USPC D2/742, 747, 748
CPC A41D 1/067; A41D 13/02; A41D 13/0007;
A41D 13/0012

Primary Examiner — Kevin K Rudzinski
Assistant Examiner — Clare Ann Gannon
(74) *Attorney, Agent, or Firm* — Dorf & Nelson LLP;
Scott D. Locke, Esq.

See application file for complete search history.

(56) **References Cited**

(57) **CLAIM**

U.S. PATENT DOCUMENTS

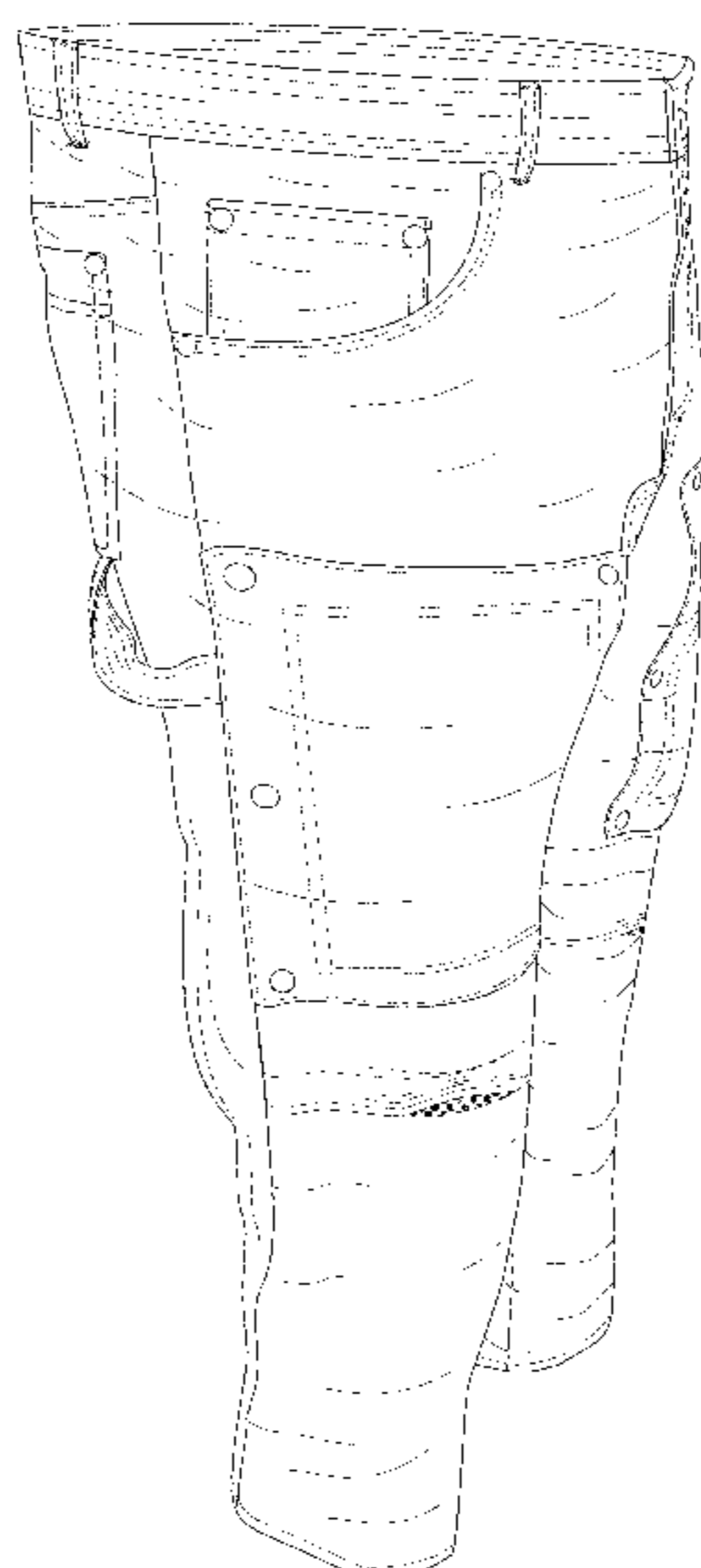
We claim the ornamental design for a pair of pants, as shown and described.

380,576 A 4/1888 Ives
932,990 A * 8/1909 Madill A41D 1/067
2/227
1,165,538 A 12/1915 Pellant
2,388,234 A 11/1945 Abel
3,787,892 A 1/1974 Quinn
4,561,124 A * 12/1985 Thompson A41D 1/067
2/227
4,613,991 A 9/1986 Grover
4,768,233 A 9/1988 Grilliot et al.
4,890,336 A 1/1990 Worton
5,033,123 A 7/1991 Audet
5,038,408 A * 8/1991 DeBaene A41D 13/0587
2/23
5,050,244 A 9/1991 Kleinman
5,072,454 A 12/1991 Trahan

DESCRIPTION

FIG. 1 is a perspective view of a pair of pants.
FIG. 2 is a front view of the pants of FIG. 1.
FIG. 3 is a rear view of the pants of FIG. 1.
FIG. 4 is a left side view of the pants of FIG. 1.
FIG. 5 is a right side view of the pants of FIG. 1.
FIG. 6 is a bottom view of the pants of FIG. 1; and,
FIG. 7 is a top view of the pants of FIG. 1.
The broken lines represent stitching.

1 Claim, 5 Drawing Sheets



(56)

References Cited

U.S. PATENT DOCUMENTS

6,839,917 B1 * 1/2005 Landwehr A41D 13/04
2/22
6,986,762 B2 1/2006 Wada et al.
7,065,796 B2 6/2006 Watkins et al.
7,389,547 B1 6/2008 Wiens
7,774,865 B2 8/2010 Miller
D668,433 S * 10/2012 Boyle A41D 15/002
D2/742
D690,082 S * 9/2013 Grosbol D2/742
D696,487 S * 12/2013 Kurmanow D2/742
8,832,867 B2 * 9/2014 Boyle A41D 15/002
2/227
9,161,575 B1 10/2015 Kramer
9,167,856 B1 10/2015 Pacific
D760,475 S 7/2016 Zenoff
D766,546 S * 9/2016 Grosbol A41D 1/067
D2/742
D773,777 S 12/2016 Grosbol
D782,159 S 3/2017 Pollitt
D783,940 S 4/2017 Luo et al.
9,650,140 B2 5/2017 Savoie et al.
D789,038 S 6/2017 McKisic
9,675,123 B2 * 6/2017 Brohmer A41D 13/065
D793,664 S 8/2017 Emanuel et al.
D796,785 S 9/2017 Suarez et al.
D815,398 S 4/2018 Parasuco
D818,670 S 5/2018 Silvestre et al.
D891,039 S * 7/2020 Burchette A41D 13/02
D2/742
D926,432 S * 8/2021 Perilman D2/742
2008/0098503 A1 5/2008 Swartz

2012/0131729 A1 5/2012 Hernandez
2012/0131734 A1 5/2012 Sindicich
2014/0115747 A1 5/2014 Spruill et al.
2014/0150166 A1 6/2014 Hall et al.
2015/0096095 A1 4/2015 Valenti et al.
2015/0149115 A1 5/2015 Belt
2015/0196070 A1 7/2015 Burger et al.
2015/0282535 A1 * 10/2015 Rowe A41F 9/02
2/237
2016/0174628 A1 6/2016 Tuffery et al.
2016/0270728 A1 9/2016 McGinnis et al.
2016/0345642 A1 12/2016 Brothers
2017/0006934 A1 1/2017 Miller
2017/0013891 A1 * 1/2017 Olvera A41D 13/02

OTHER PUBLICATIONS

Caterpillar Men's Trademark Pant. old on Amazon.com. Jan. 4, 2013 Accessed on Jul. 31, 2021. (Year: 2013).*
Kolossus Strength Utility Cargo Pant. Sold on Kolossusworkwear.com. Accessed on Jul. 31, 2021. (Year: 2021).*
Anonymous, A+A 2013 A top International Even for Protective Clothing & Workwear, Asian Textile Business, Oct. 2013, 677; ProQuest Technology Collection, p. 12.
Kim, Younghee, Fire Fighter Coveralls: A Study in Functional Apparel Design, A Dissertation, Doctor of Philosophy, Department of Clothing, Textiles & Interior Design, College of Human Ecology, Kansas State University, Manhattan, Kansas, 1996.
Zhang, Zhou et al., Affect the comfort of pants crotch curve analysis of the factors, Applied Mechanics and Materials, vol. 477-478 (2014), pp. 359-362, Online Dec. 19, 2013.

* cited by examiner

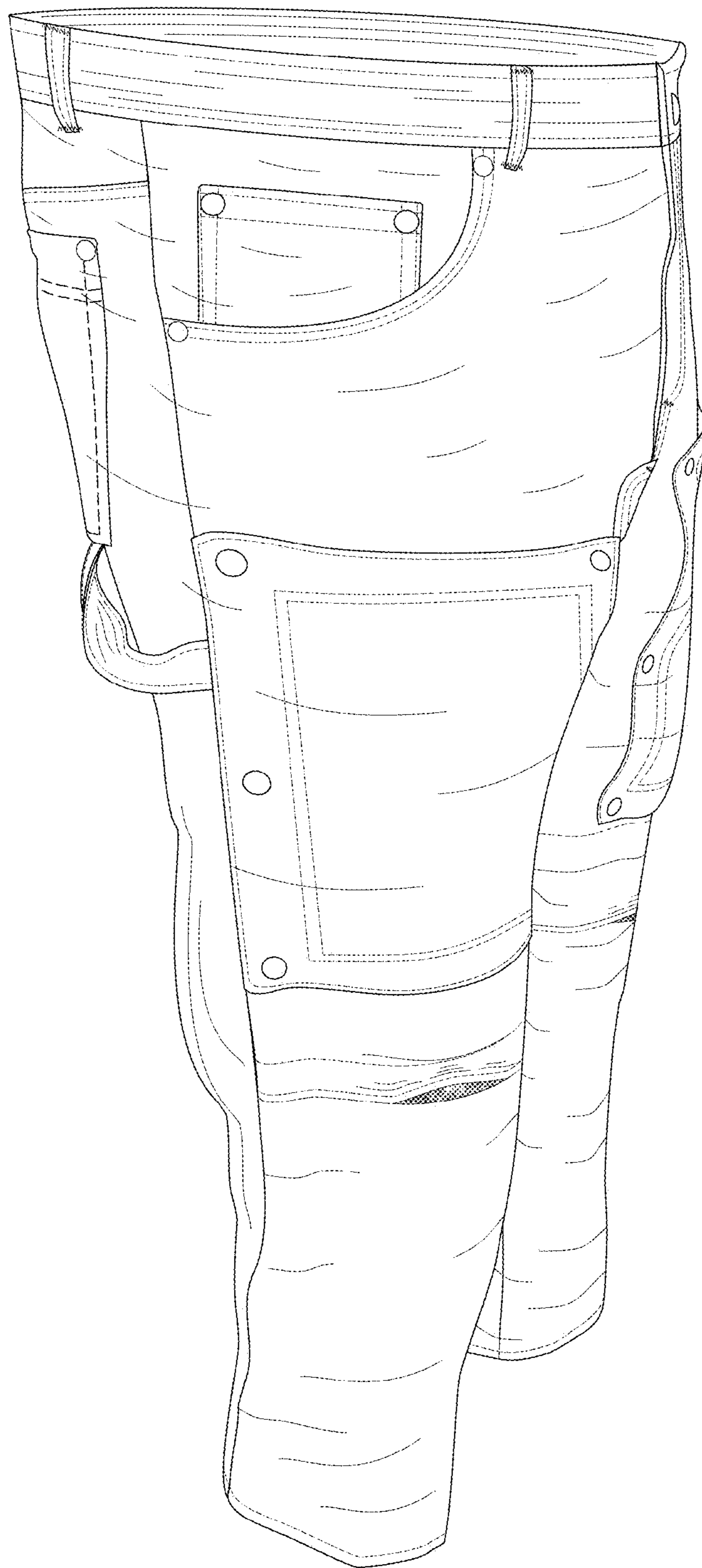


FIG. 1

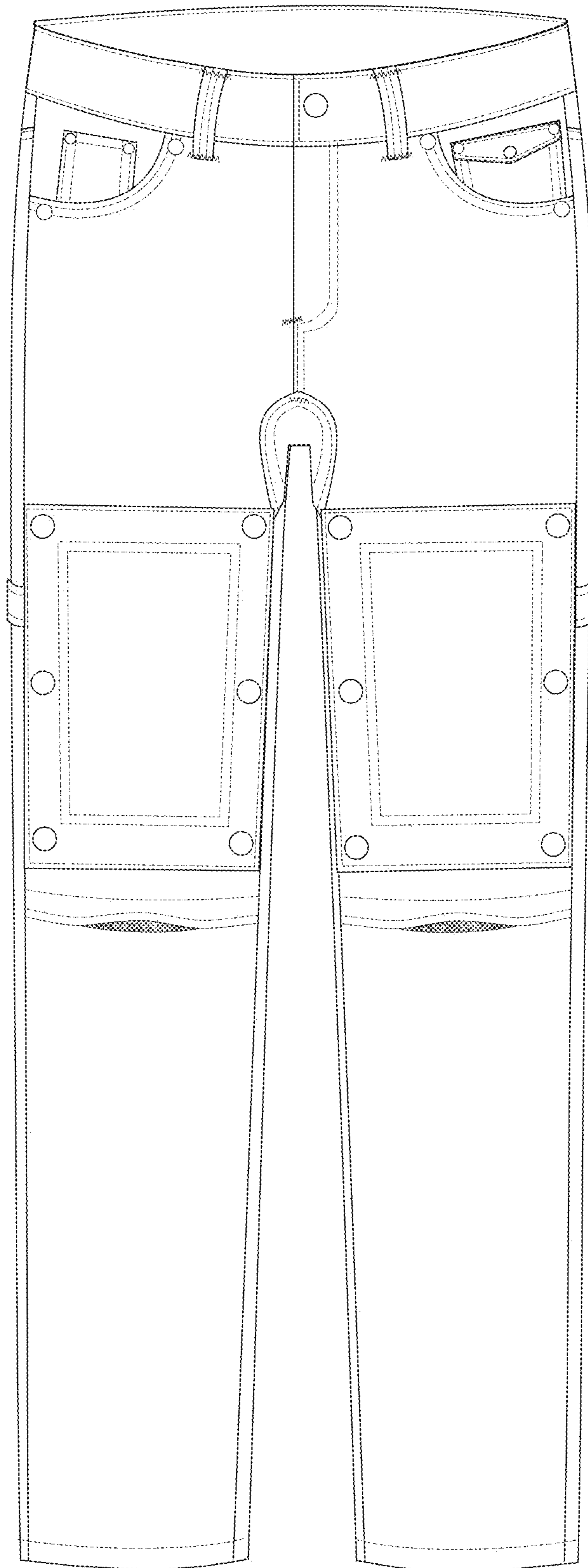


FIG. 2

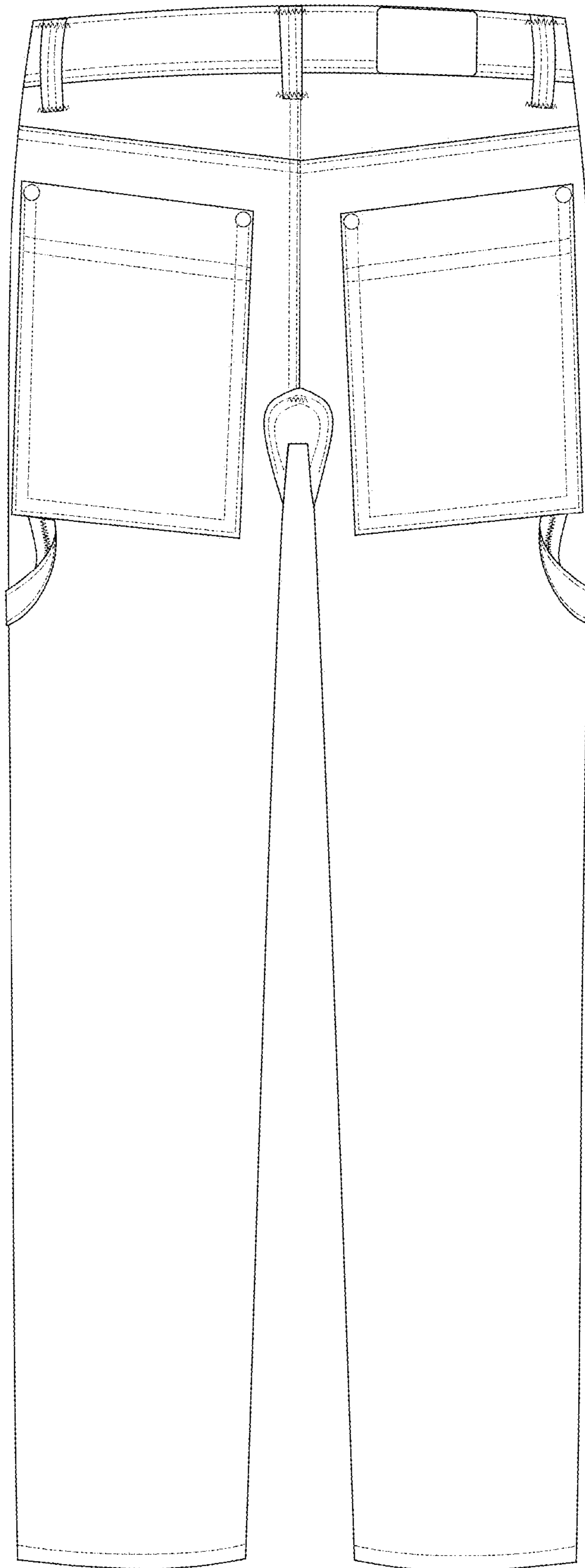


FIG. 3

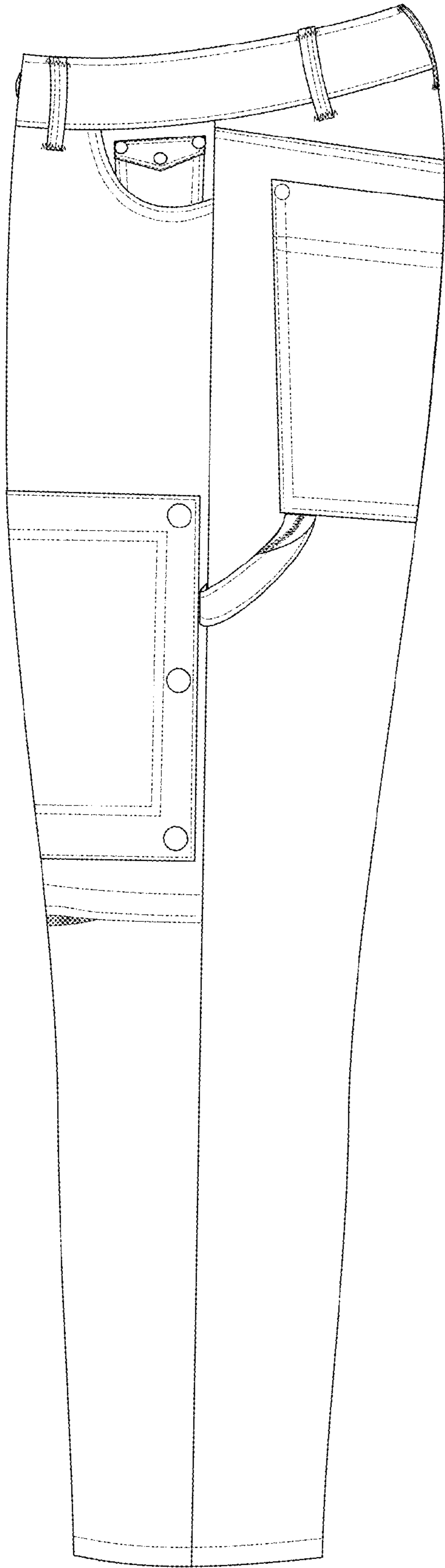


FIG. 4

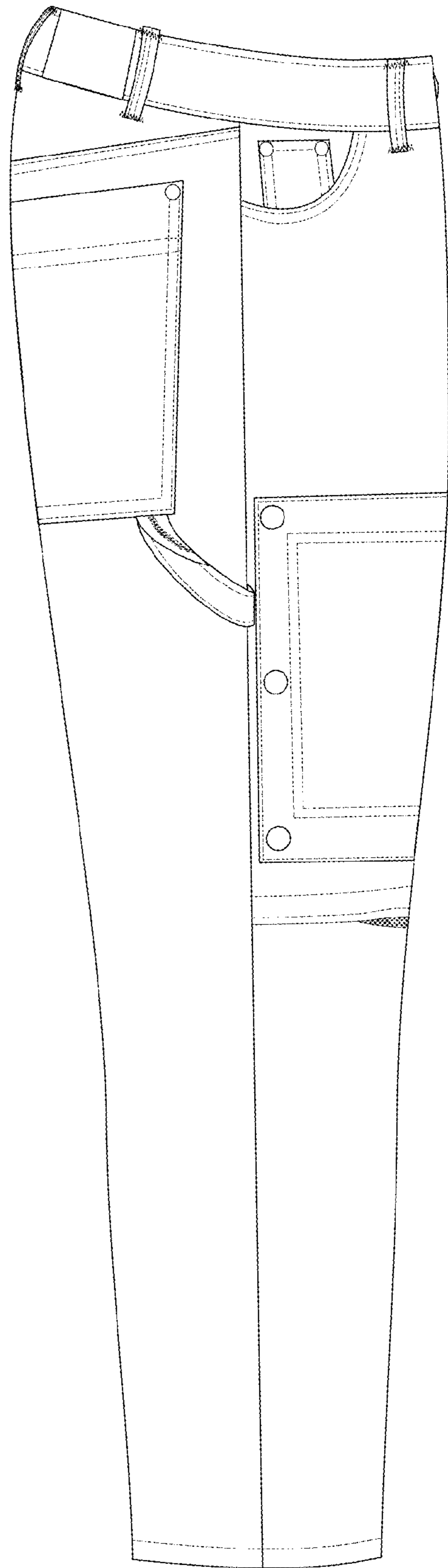


FIG. 5

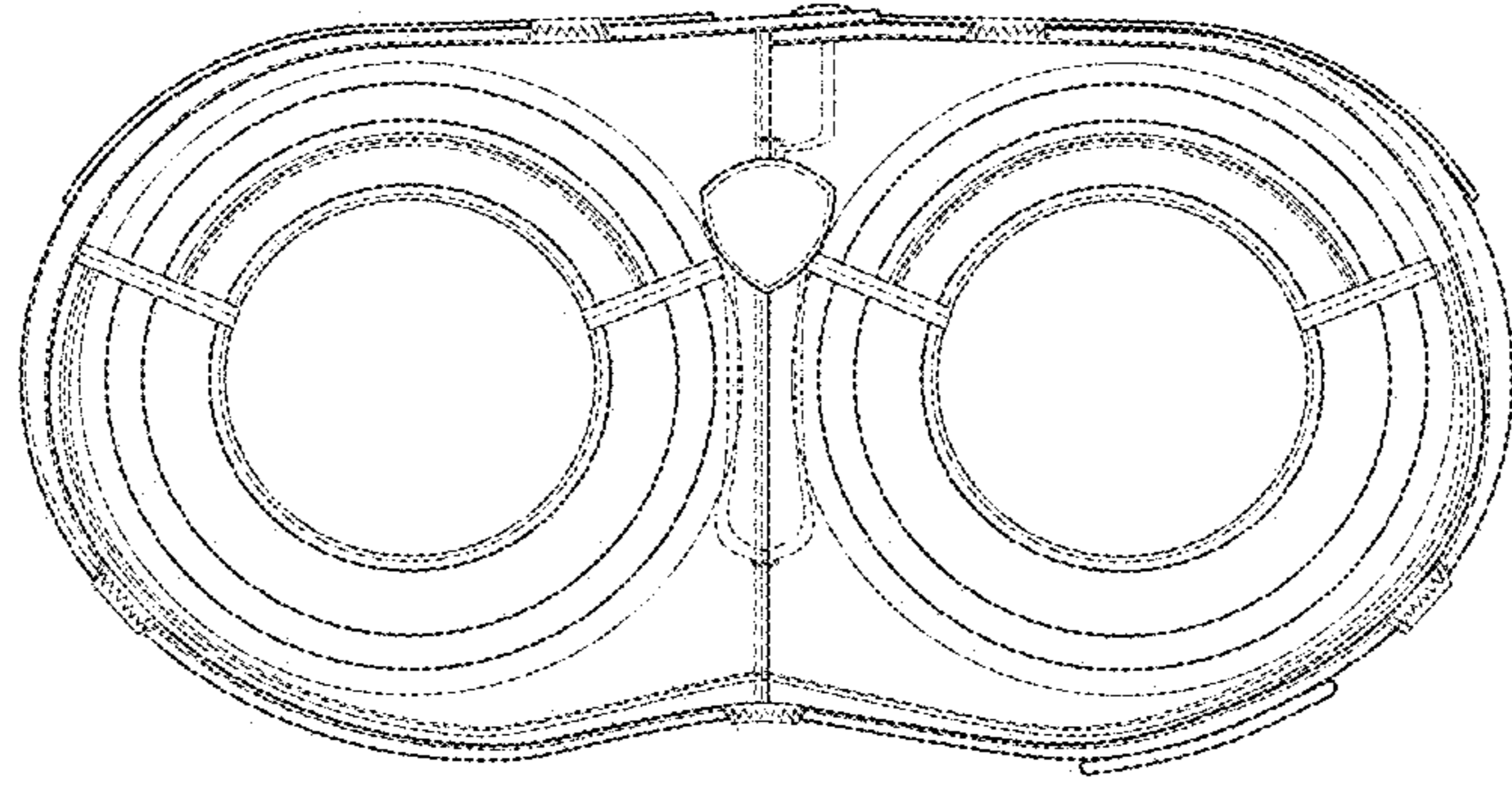


FIG. 6

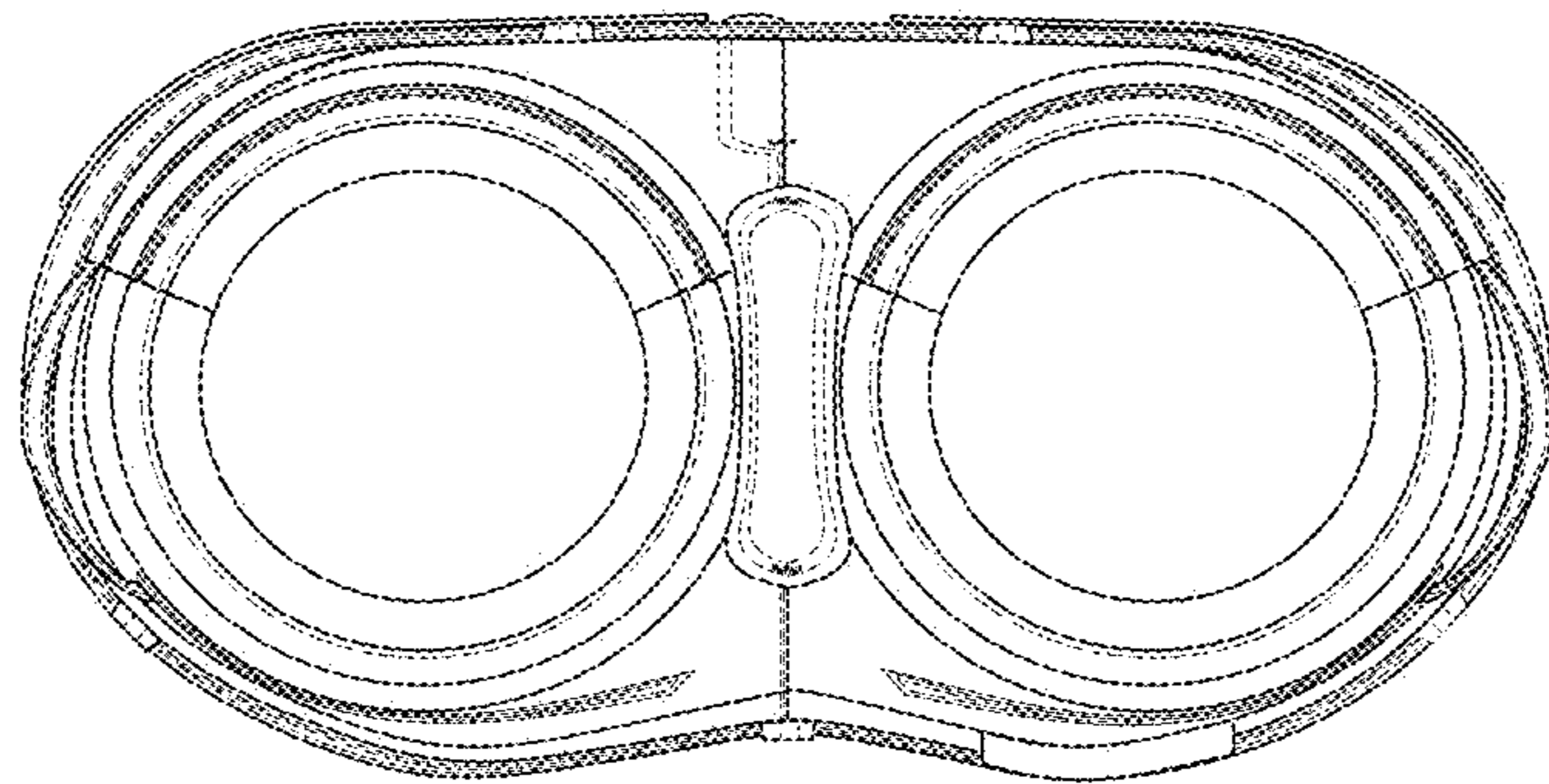


FIG. 7