



US00D947497S

(12) **United States Design Patent** (10) **Patent No.:** **US D947,497 S**
Gunn (45) **Date of Patent:** **** Apr. 5, 2022**

(54) **GARMENT**

(71) Applicant: **LULULEMON ATHLETICA CANADA INC.**, Vancouver (CA)

(72) Inventor: **Joanne Gunn**, Vancouver (CA)

(73) Assignee: **LULULEMON ATHLETICA CANADA INC.**, Vancouver (CA)

(**) Term: **15 Years**

(21) Appl. No.: **29/715,165**

(22) Filed: **Nov. 27, 2019**

(51) **LOC (13) Cl.** **02-02**

(52) **U.S. Cl.**
USPC **D2/728**

(58) **Field of Classification Search**
USPC D2/639, 717, 728, 731, 739, 741, 840,
D2/841, 853, 999
CPC A41D 13/0015
See application file for complete search history.

(56) **References Cited**

U.S. PATENT DOCUMENTS

- 1,057,798 A * 4/1913 Benjamin A41D 1/18
2/106
- 2,609,541 A * 9/1952 Kaplan A41D 1/04
2/116
- D324,127 S * 2/1992 Ashcraft D2/717
- 5,778,452 A * 7/1998 Dicker A63B 21/055
2/69

(Continued)

OTHER PUBLICATIONS

Champion Women's Hooded Cropped Mesh Top, announced Oct. 19, 2018 [online], [site visited Sep. 10, 2021]. Available from

internet, URL: <<https://www.amazon.com/Champion-LIFE-Cropped-Overlay-Imperia/dp/B07DY699D2/>> (Year: 2018).*

(Continued)

Primary Examiner — Kevin K Rudzinski

Assistant Examiner — Amber J Rabie

(74) *Attorney, Agent, or Firm* — Conneely PC; Joseph Conneely

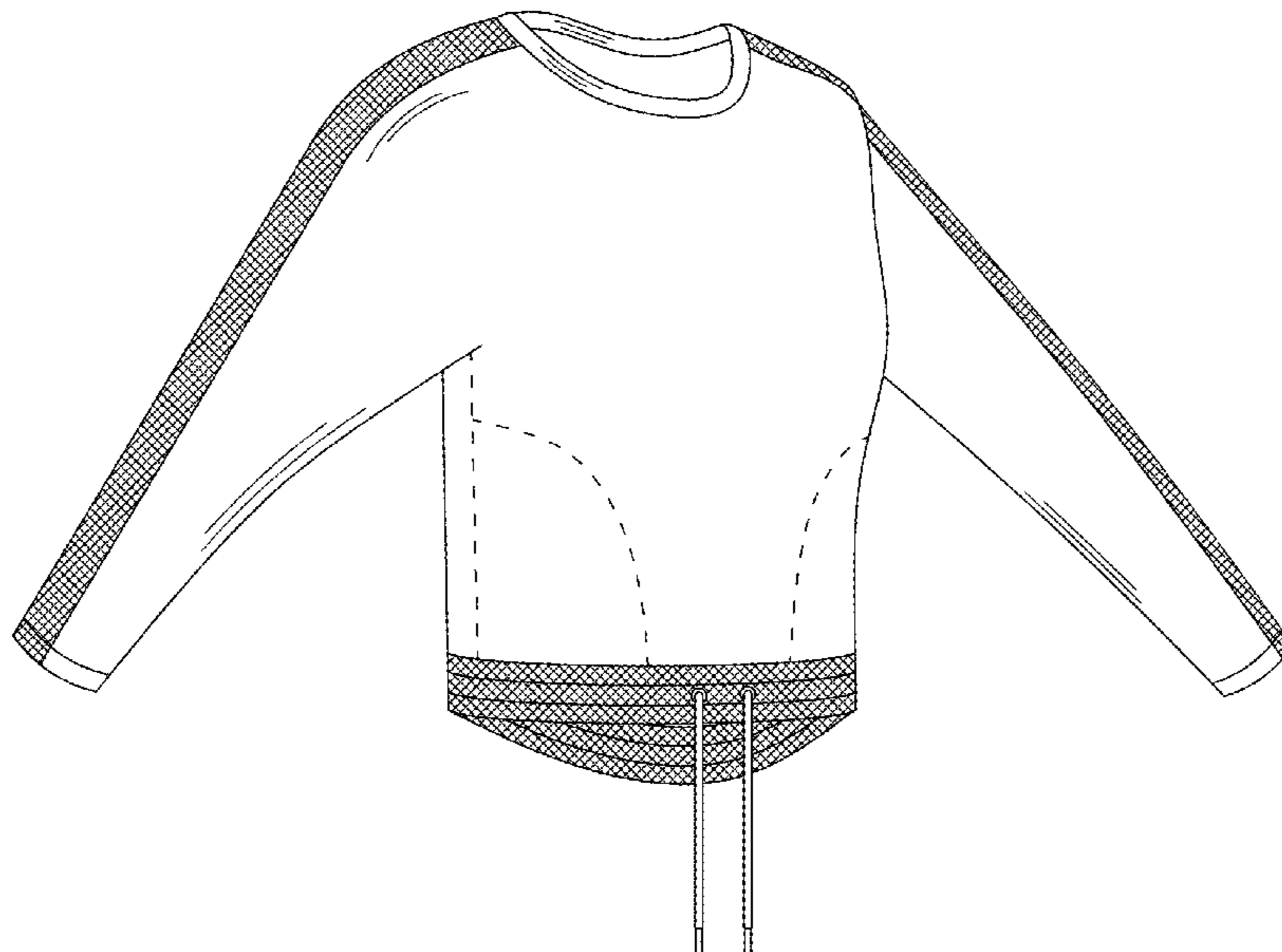
(57) **CLAIM**

The ornamental design for a garment, as shown and described.

DESCRIPTION

FIG. 1 is a front view of a garment according to the design; FIG. 2 is a rear view thereof; FIG. 3 is a right side view thereof; FIG. 4 is a left side view thereof; FIG. 5 is a front perspective view thereof; FIG. 6 is a rear perspective view thereof; FIG. 7 is a front view thereof shown in an environment of use; FIG. 8 is a rear view thereof shown in an environment of use; FIG. 9 is a front view thereof shown in an environment of use and with the drawcord thereof shown in a tied position; and, FIG. 10 is a rear view thereof shown in an environment of use and with the drawcord thereof shown in the tied position. The portions of the garment shown in broken lines in FIGS. 1-10 do not form part of the claimed design. The broken line showing of the hands, legs, torso, neck, and head in FIGS. 7-10 is for the purpose of illustrating portions of the environmental structure and forms no part of the claimed design. The crosshatched lines shown on the arms and hem band of the garment in FIGS. 1-10 represent a transparent, translucent, or see-through mesh or sheer fabric only and do not represent any particular colour, material, texture, pattern, or finish of mesh or sheer fabric.

1 Claim, 10 Drawing Sheets



(56)

References Cited

U.S. PATENT DOCUMENTS

D649,745 S * 12/2011 Scott A41D 1/18
D2/717
D816,950 S * 5/2018 Lomax A41D 19/0024
D2/840
D856,635 S * 8/2019 Brown A41D 27/20
D2/853
2004/0083529 A1* 5/2004 Tate A41D 27/20
2/115
2019/0281902 A1* 9/2019 Nabors A41D 19/0024

OTHER PUBLICATIONS

Angashion Womens Sweatshirt-Long Sleeve Drawstring Hem Color Block Crop Top Pullover Tops, announced Aug. 4, 2018 [online], [site visited Sep. 10, 2021]. Available from internet, URL: <<https://www.amazon.com/Angashion-Womens-Sweatshirt-Long-Drawstring-Pullover/dp/B07F74N7CC/>> (Year: 2018).*

Rarityus Womens Girls Fishnet Long Sleeves See Through Hooded Shirt, announced May 27, 2019 [online], [site visited Sep. 10, 2021]. Available from internet, URL: <<https://www.amazon.com/RARITYUS-Fishnet-Sleeves-Through-Transparent/dp/B07S6M7XH1?th=1>> (Year: 2019).*

* cited by examiner

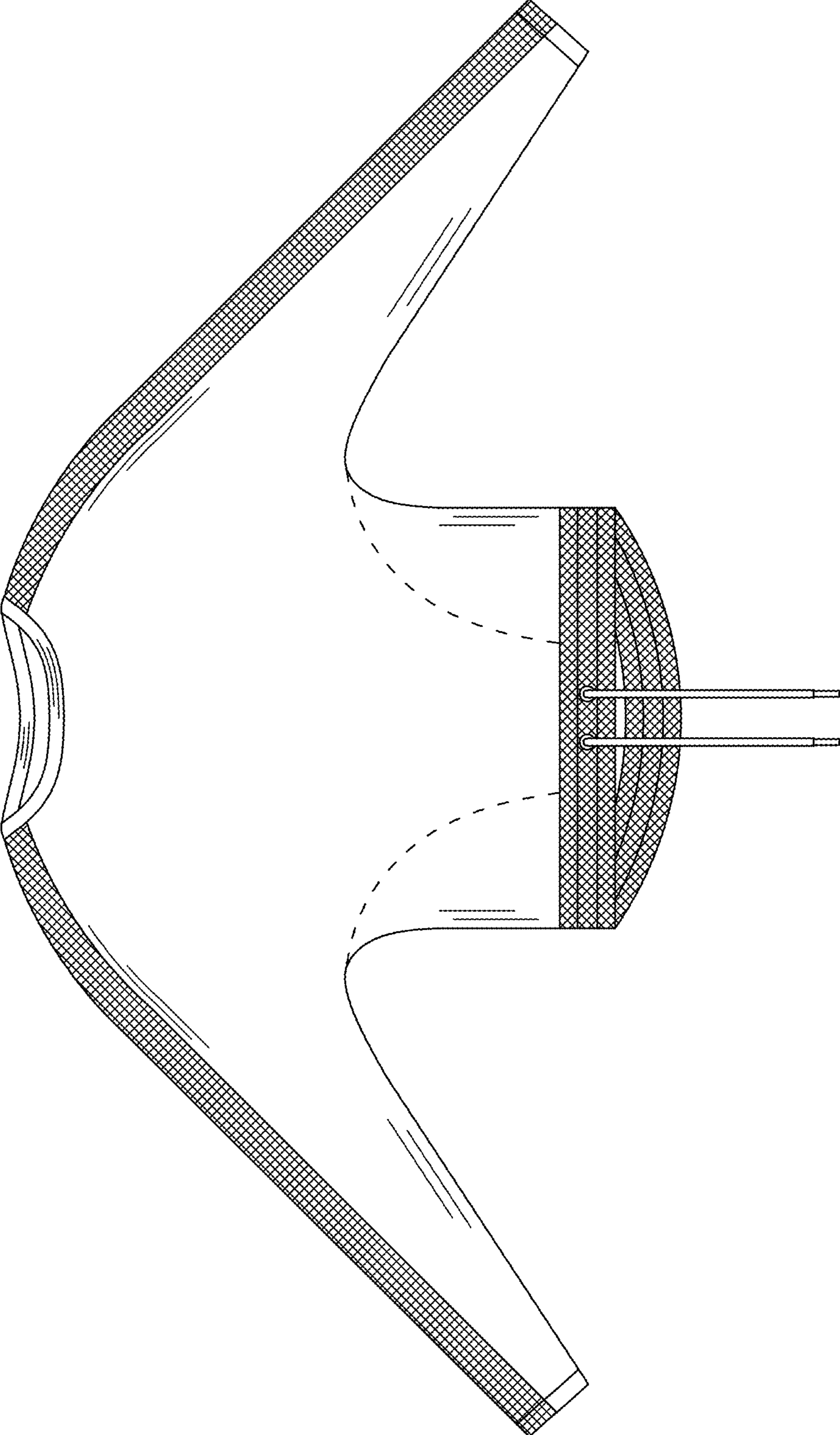


FIG. 1

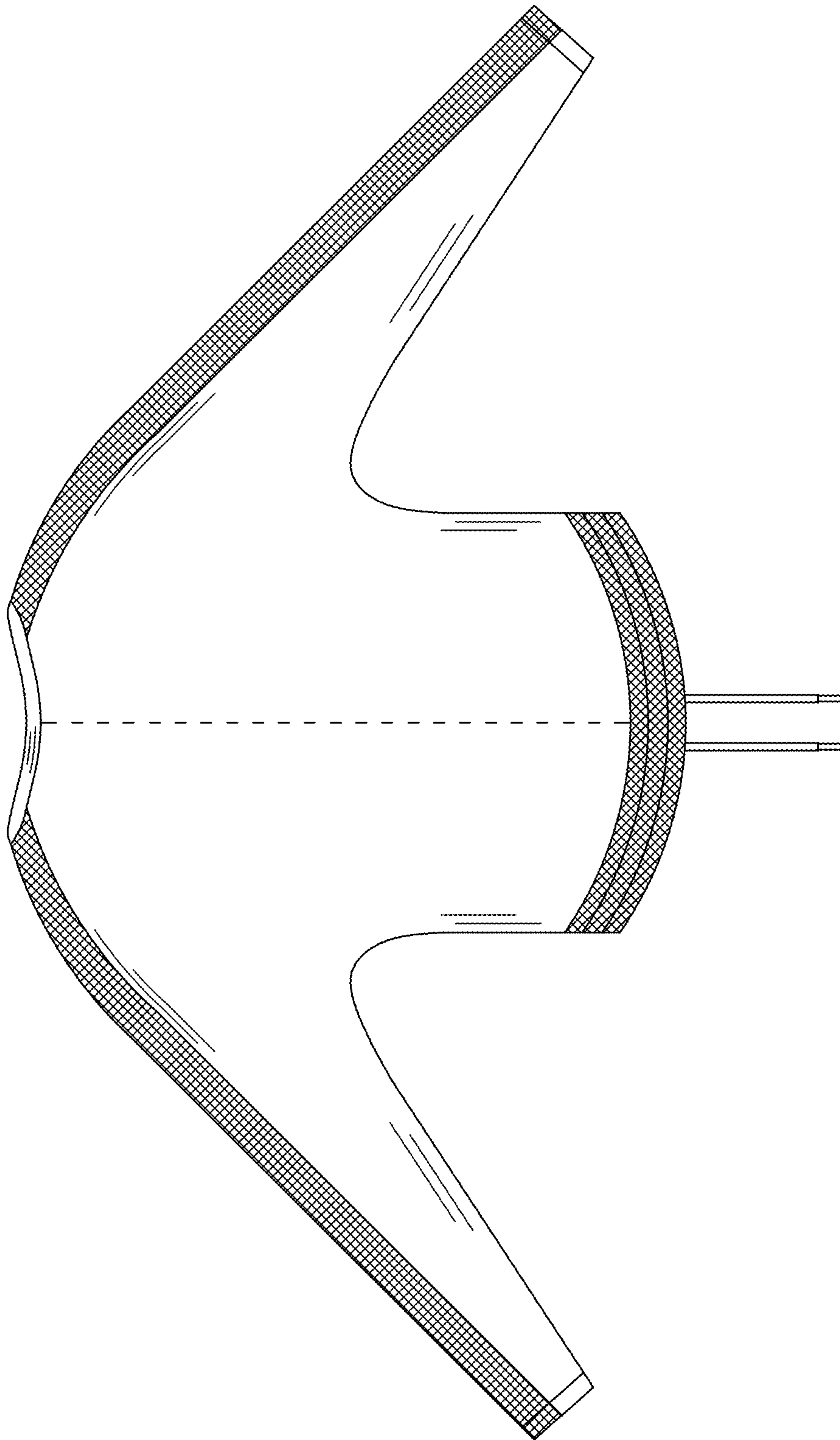


FIG. 2

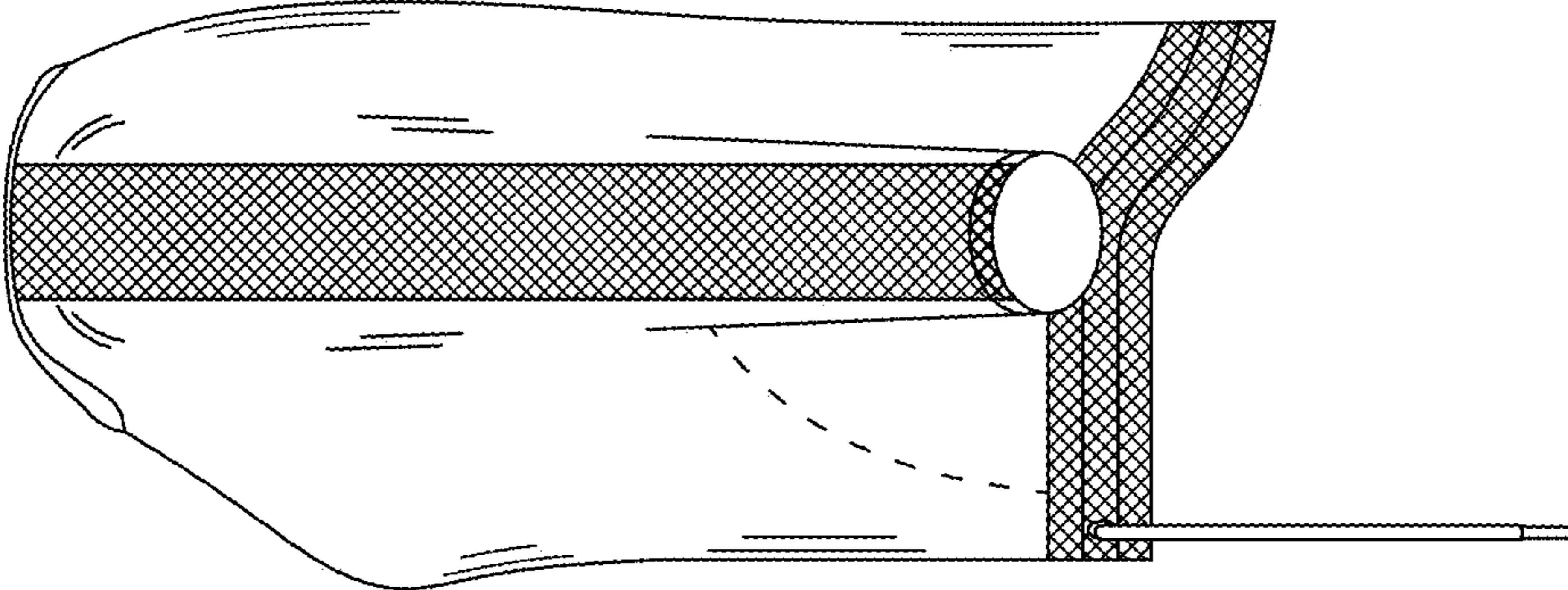


FIG. 3

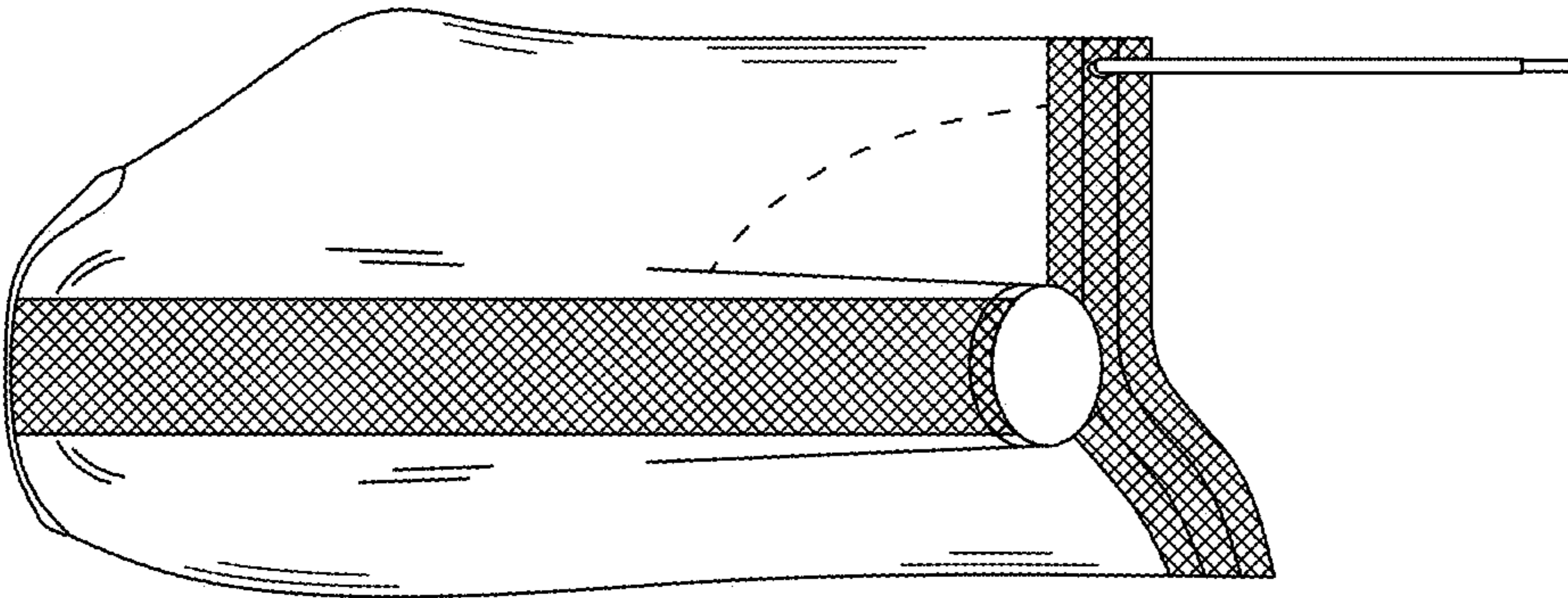


FIG. 4

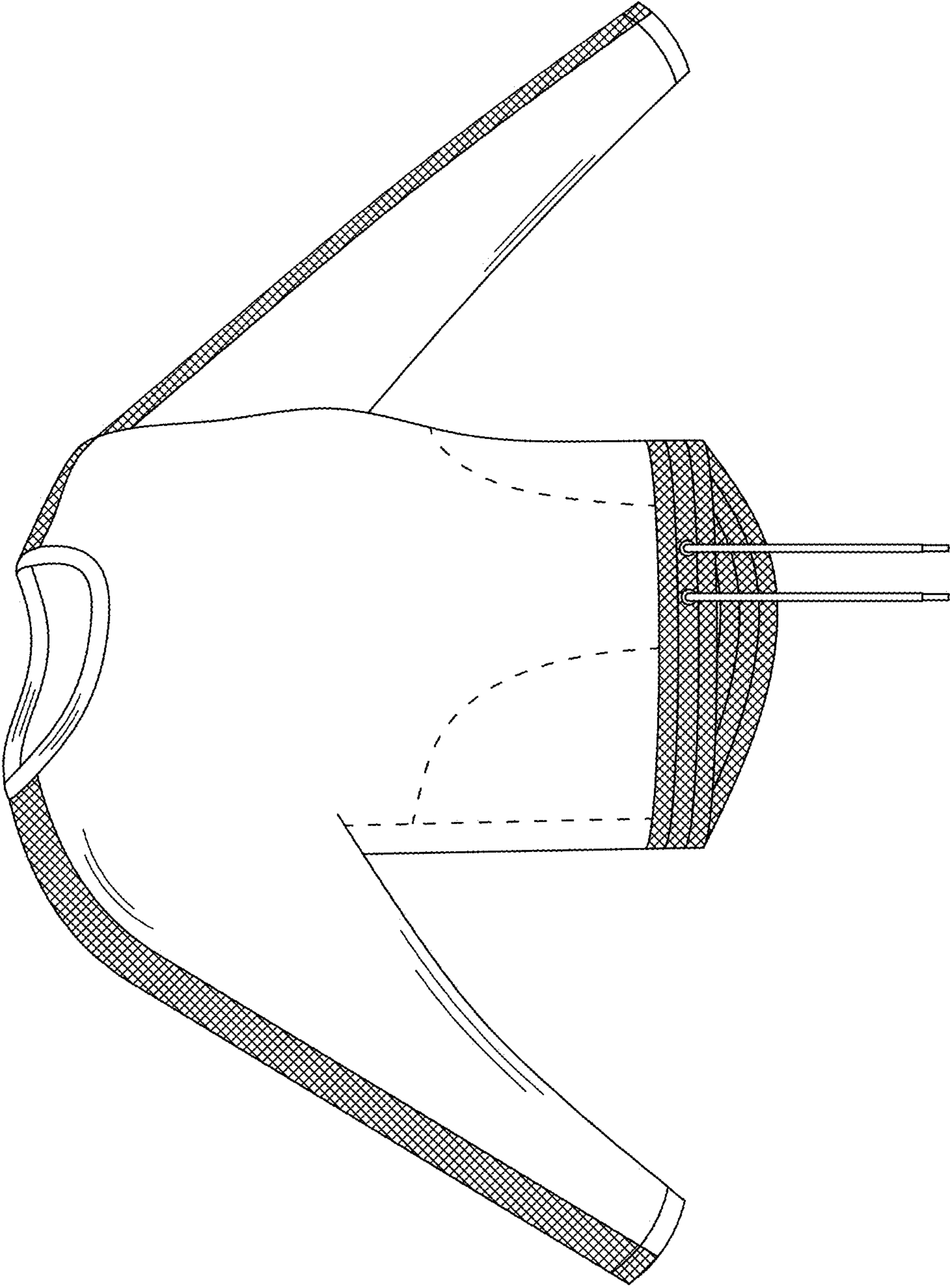


FIG. 5

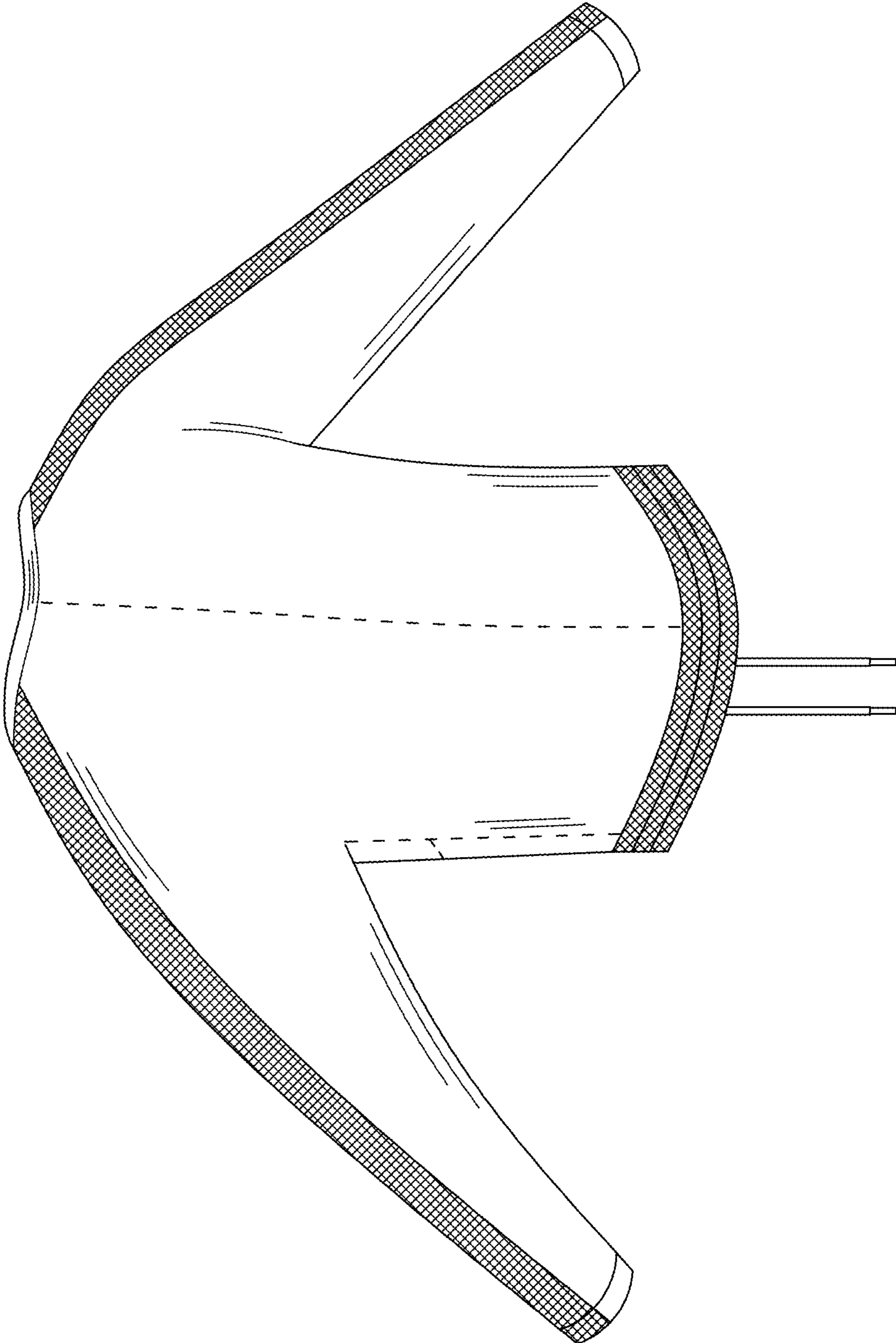


FIG. 6

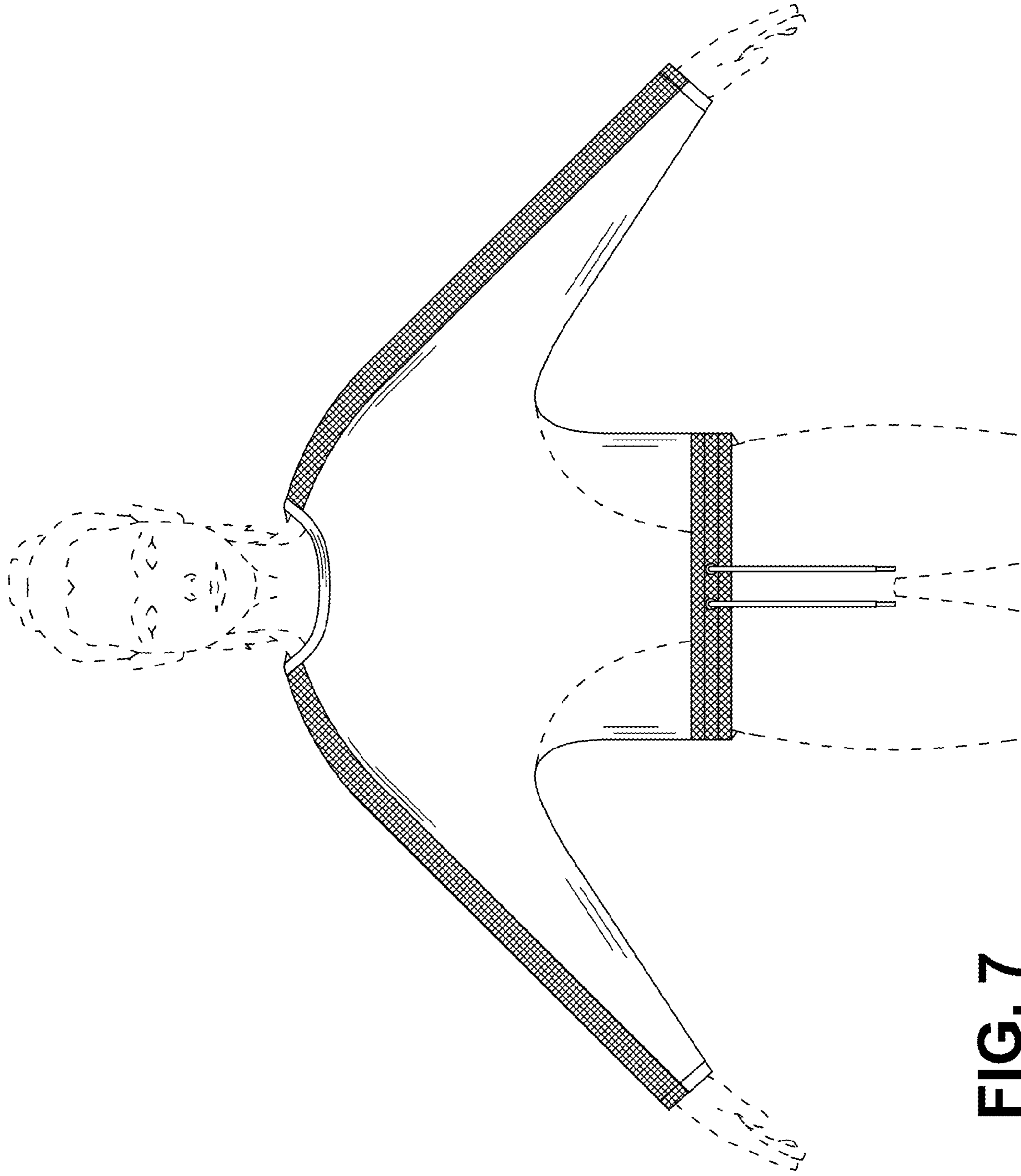


FIG. 7

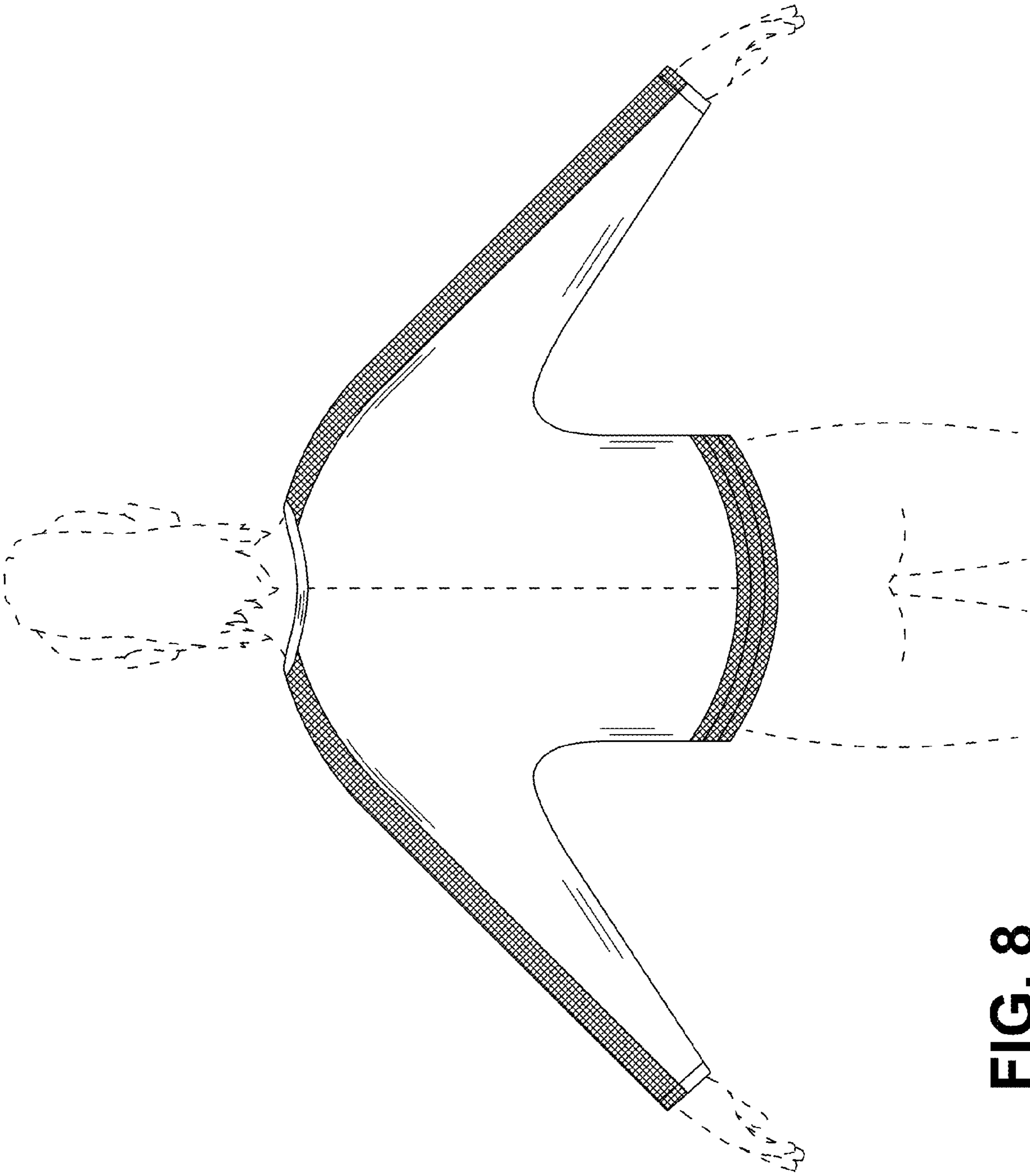


FIG. 8

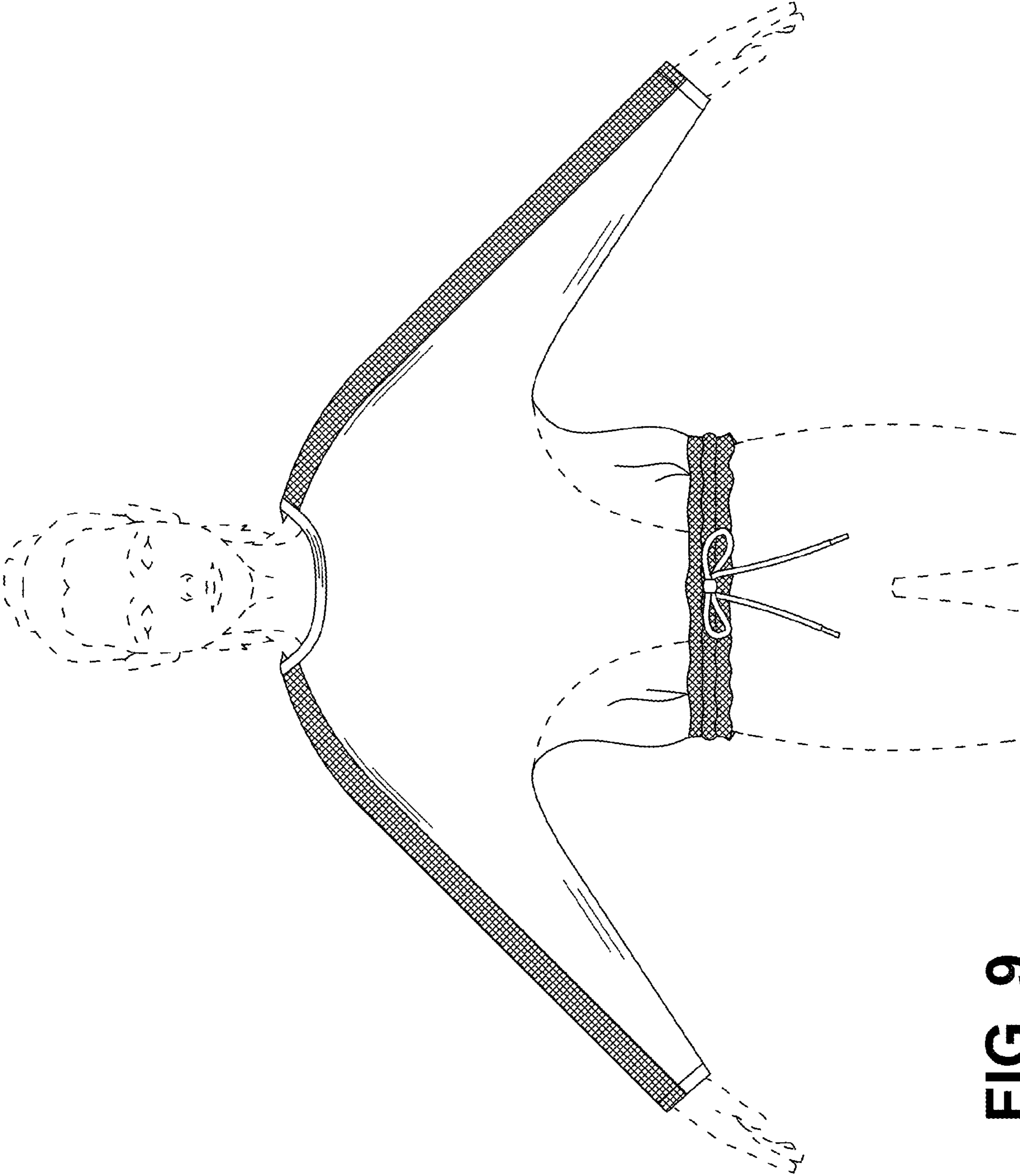


FIG. 9

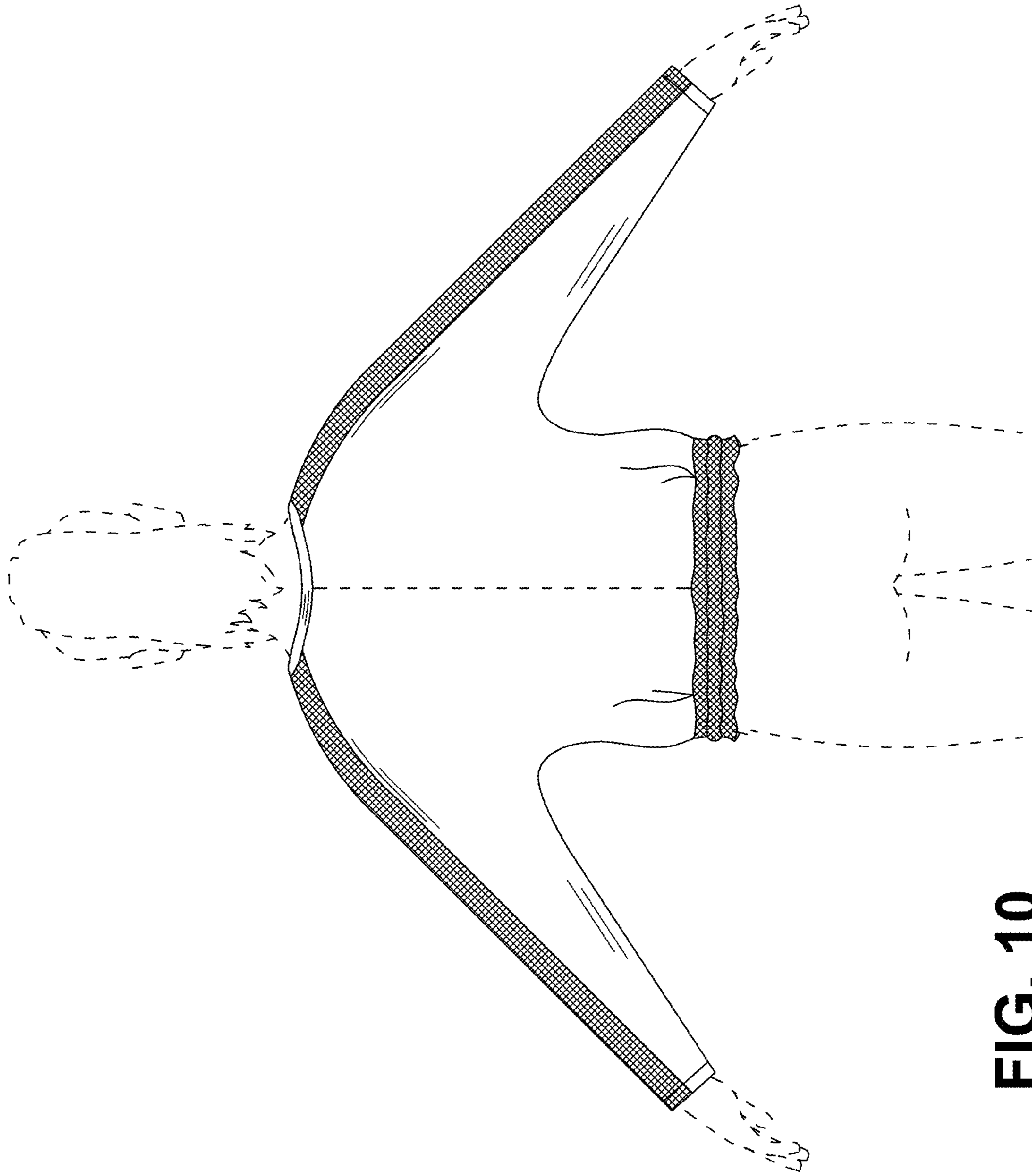


FIG. 10