



US00D947496S

(12) **United States Design Patent**
Wallis

(10) **Patent No.:** **US D947,496 S**

(45) **Date of Patent:** **** Apr. 5, 2022**

(54) **SLEEVELESS GARMENT**

(71) Applicant: **Linda Wallis**, Benicia, CA (US)

(72) Inventor: **Linda Wallis**, Benicia, CA (US)

(**) Term: **15 Years**

(21) Appl. No.: **29/672,713**

(22) Filed: **Dec. 7, 2018**

(51) **LOC (13) Cl.** **02-02**

(52) **U.S. Cl.**
USPC **D2/728**

(58) **Field of Classification Search**
USPC D2/741, 823, 824, 825, 826, 827, 830,
D2/831, 717, 739, 853, 858, 828, 840,
D2/728, 750, 847

CPC A41D 3/08; A41D 11/00; A41D 7/005;
A41D 7/008; A41D 15/04

See application file for complete search history.

(56) **References Cited**

U.S. PATENT DOCUMENTS

D218,957 S	*	10/1970	Pichon	D2/847
D229,721 S	*	12/1973	Hatton	D2/728
D288,500 S	*	3/1987	Mather	D2/728
D303,995 S		10/1989	Dameron		
D305,826 S	*	2/1990	Langford, III	D2/728
D543,010 S		5/2007	Erickson		
D555,330 S		11/2007	Cass et al.		
D572,435 S	*	7/2008	Bily	D2/828
D578,278 S	*	10/2008	Song	D2/823
D630,820 S		1/2011	Wilson		
D639,024 S	*	6/2011	Benderradji	D2/830
D645,645 S		9/2011	Dyer		
D646,869 S	*	10/2011	Greenblat	D2/750
D670,887 S		11/2012	Lewis		
D677,448 S	*	3/2013	Bazile	D2/728
D679,892 S		4/2013	Brauch		
D687,211 S	*	8/2013	Moody	D2/728

D695,490 S		12/2013	Lake		
D726,996 S	*	4/2015	Elliott	D2/823
D747,848 S		1/2016	Sanders		
D754,895 S		4/2016	Azorin		
D778,035 S	*	2/2017	Price	D2/840
D811,695 S	*	3/2018	Mangnall-Schwarz	D2/823
D818,245 S		5/2018	Richardson		

* cited by examiner

Primary Examiner — Kevin K Rudzinski

Assistant Examiner — Jerry Shiuang-Hua Hsu

(74) *Attorney, Agent, or Firm* — Adams Law Office;
Sharon J. Adams

(57) **CLAIM**

The ornamental design for a sleeveless garment, as shown and described.

DESCRIPTION

FIG. 1 is a front view of the sleeveless garment, showing my new design in a state of use.

FIG. 2 is a rear view thereof.

FIG. 3 is a left side view thereof, the right side view being a mirror image thereof.

FIG. 4 is a front, top, right side perspective view thereof.

FIG. 5 is a front, top, right side perspective view thereof.

FIG. 6 is a top plan view thereof.

FIG. 7 is a left side view thereof, the right side view being a mirror image thereof.

FIG. 8 is a bottom view thereof.

FIG. 9 is a bottom view of the sleeveless garment, in a flat position; and,

FIG. 10 is a top view thereof.

The dash-dot broken line illustrating a person in FIGS. 1, 2, and 3 depict environmental structure that forms no part of the claimed design. The dash-dash broken lines illustrate stitching which forms part of the claimed design.

1 Claim, 7 Drawing Sheets

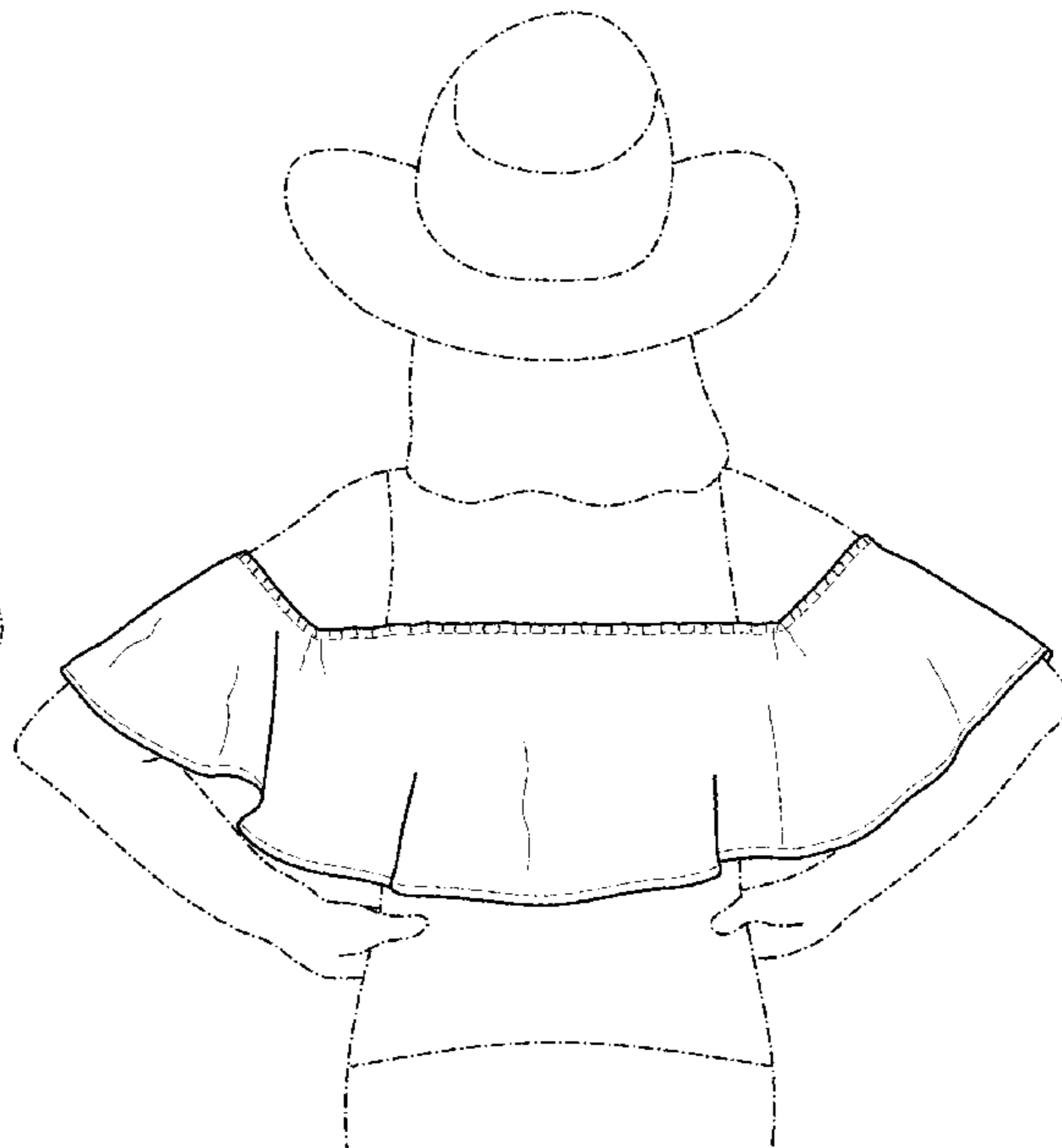
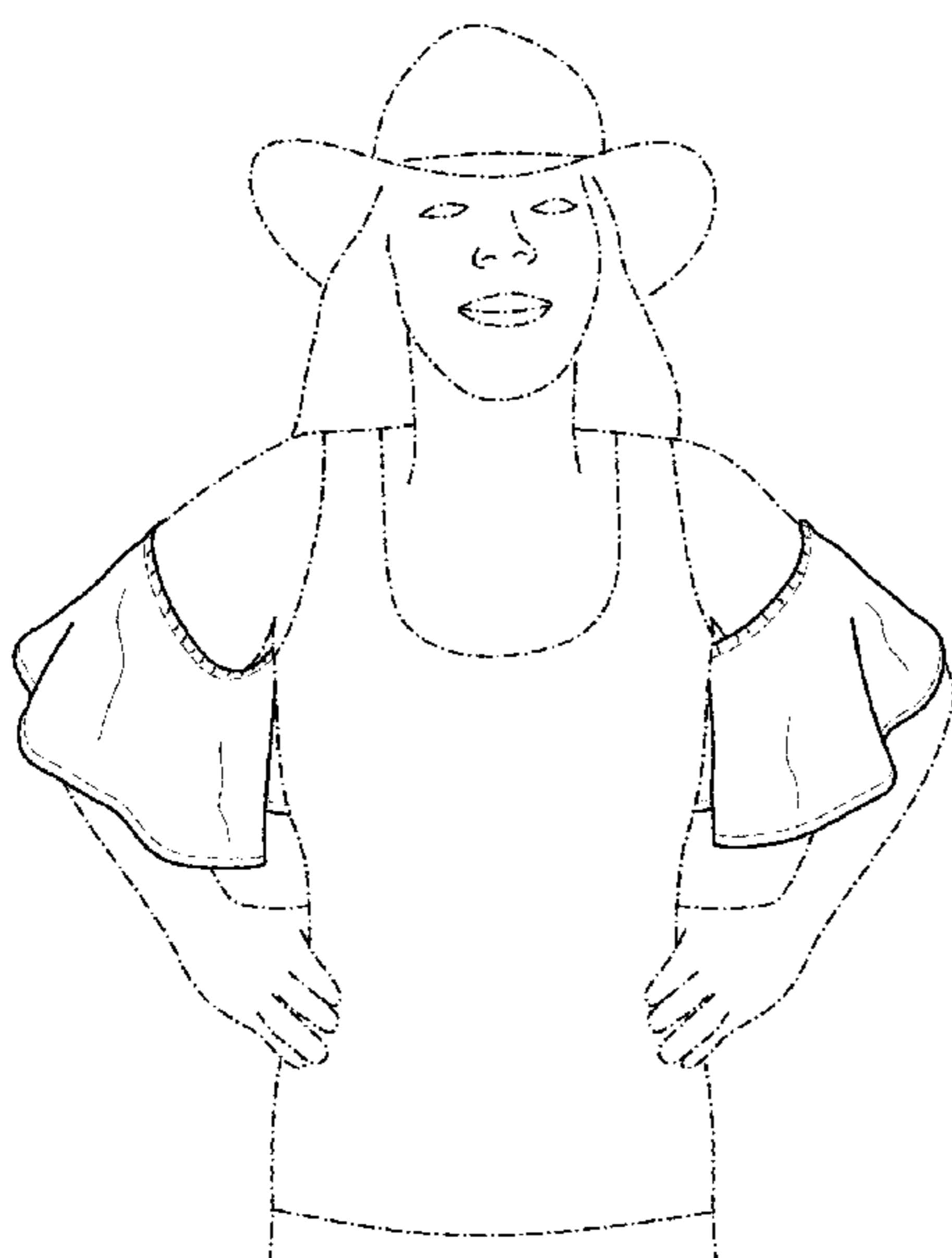


FIG. 1

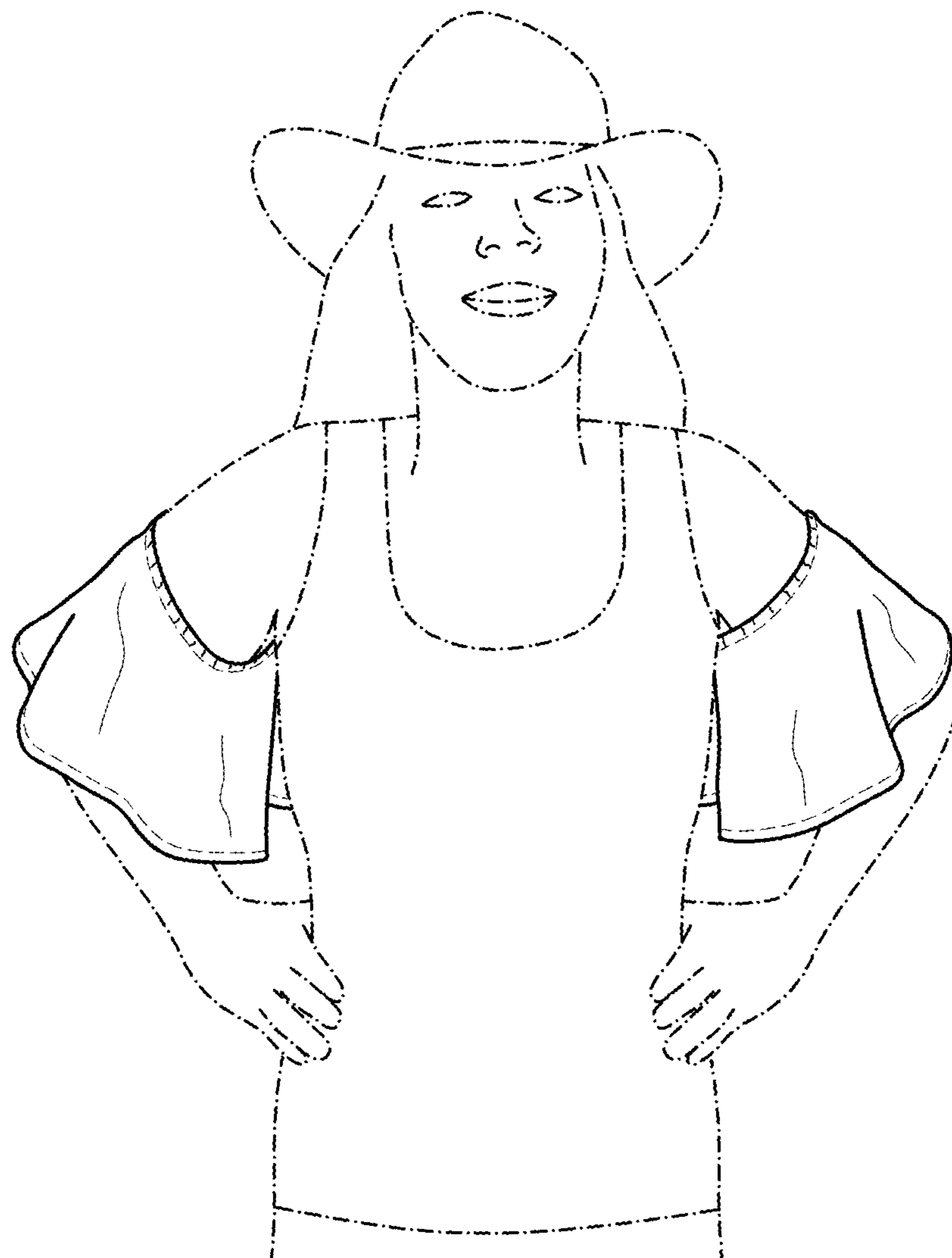


FIG. 2

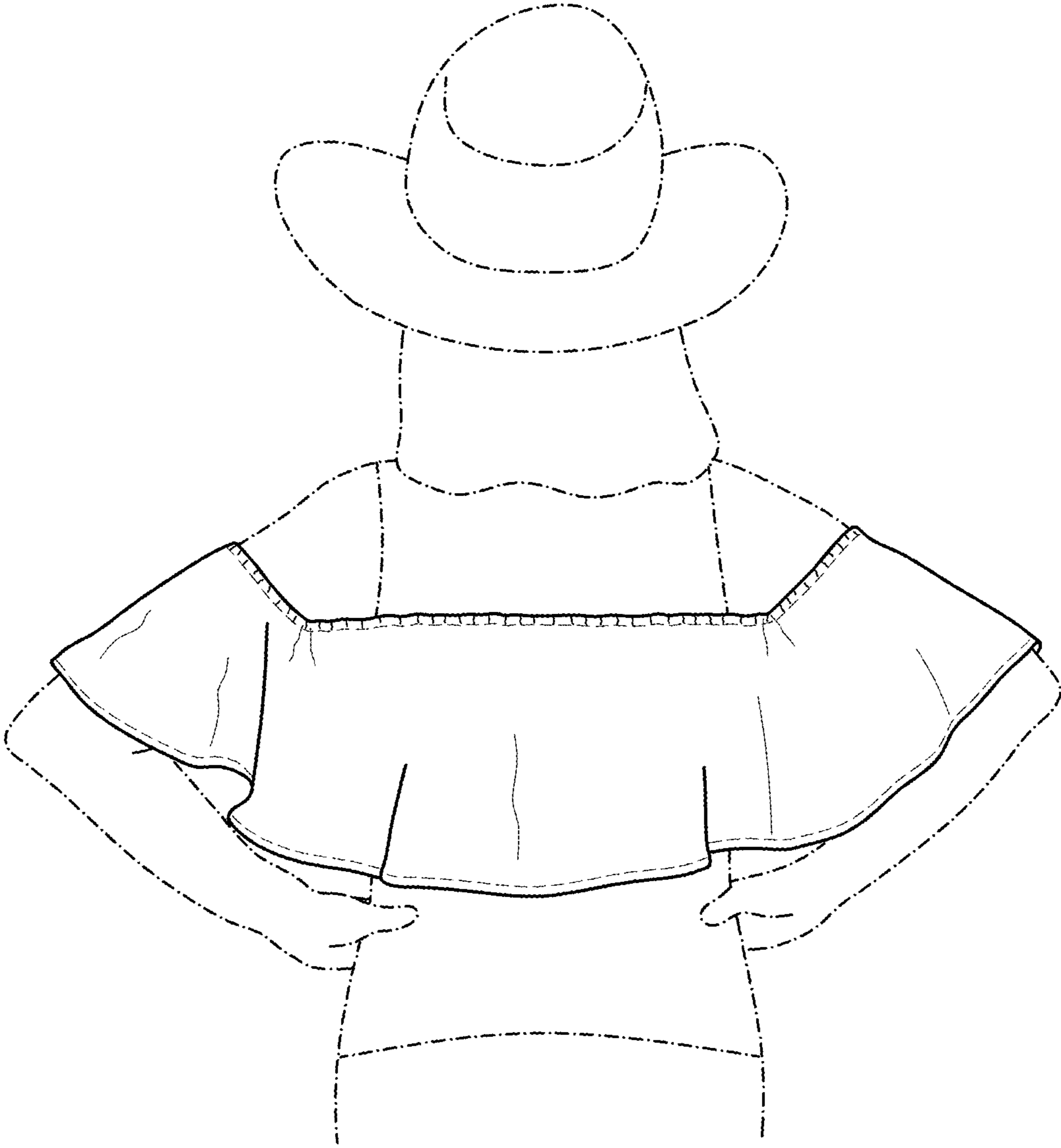


FIG. 3

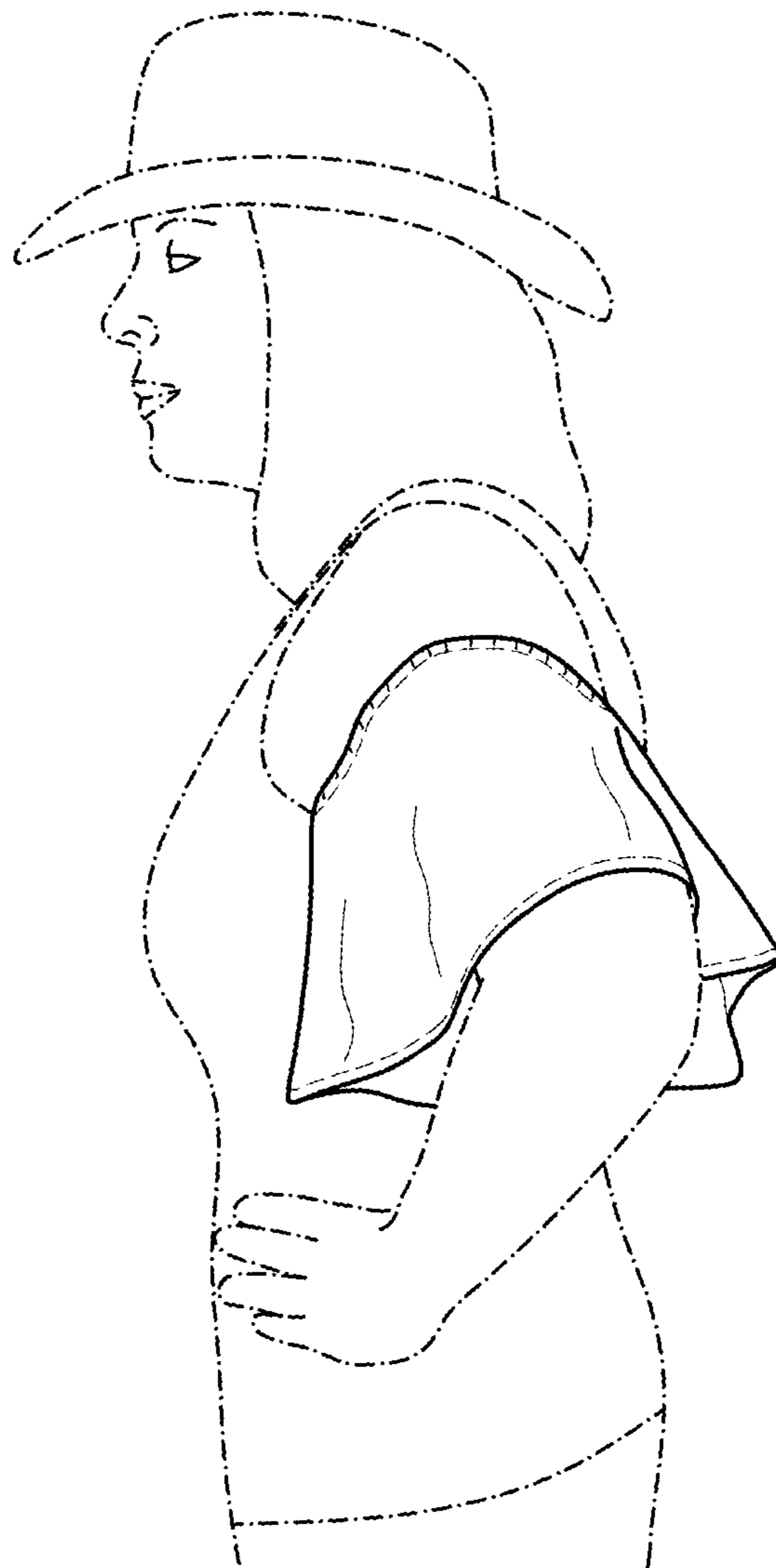


FIG. 4

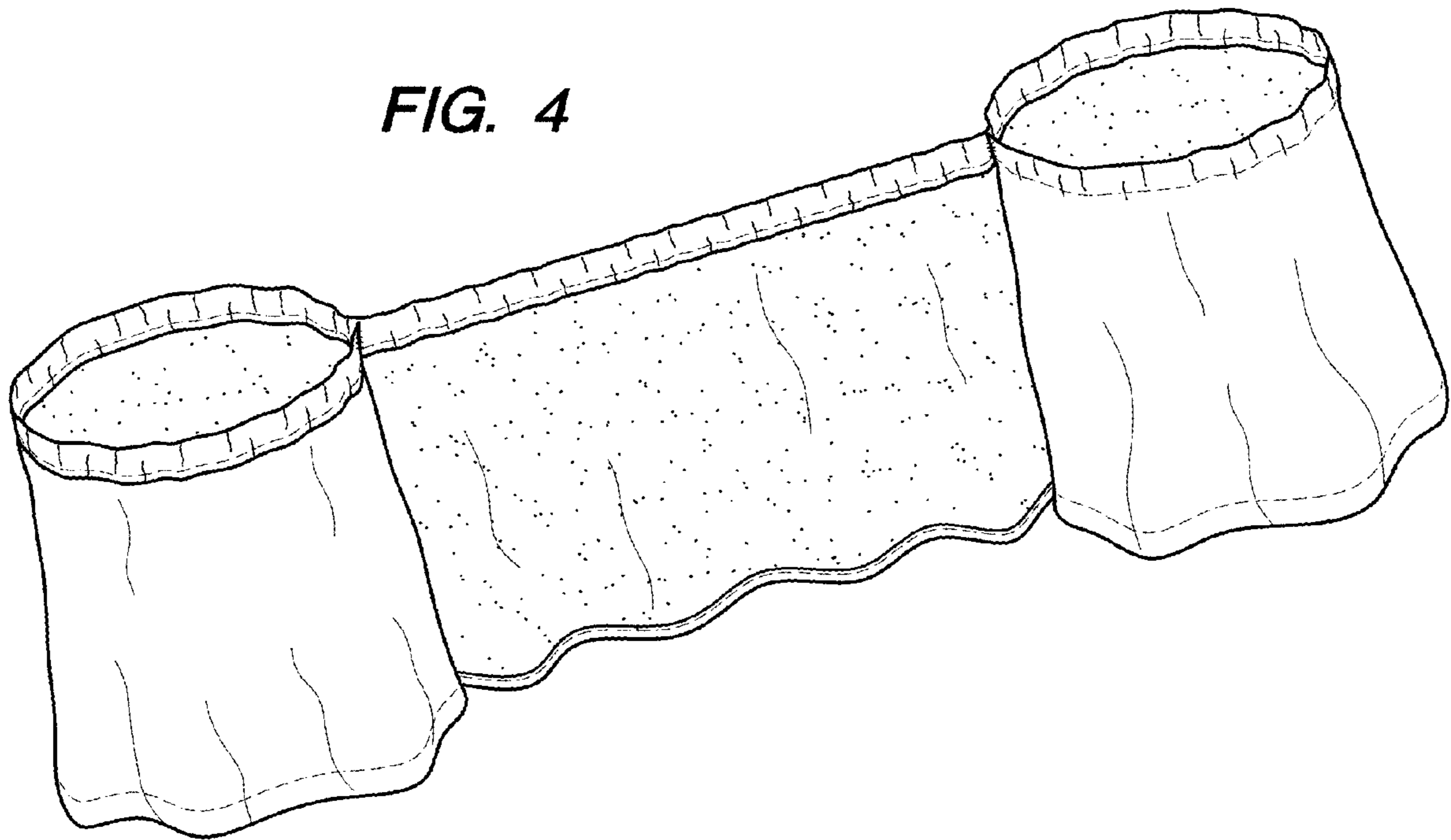


FIG. 5

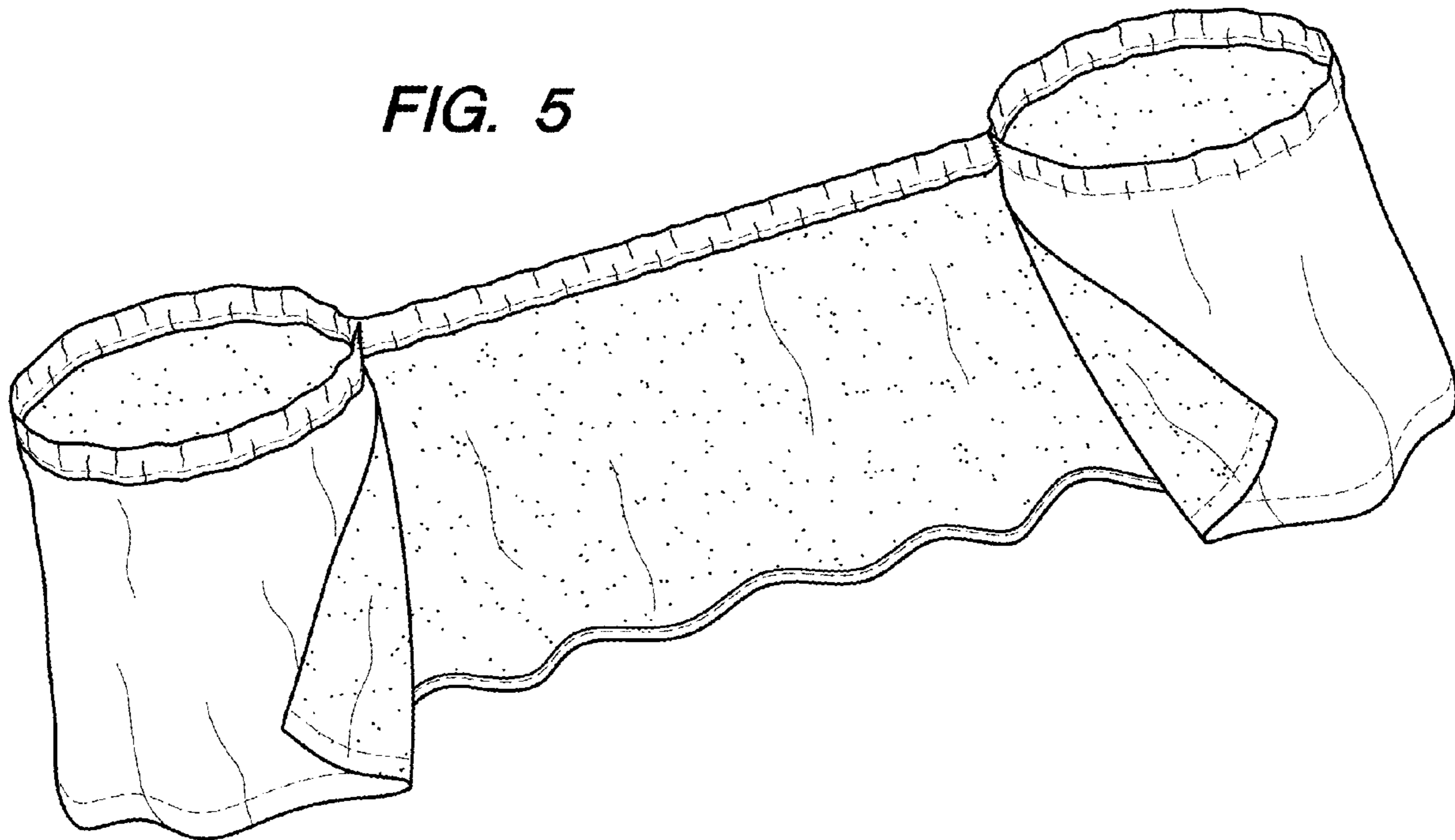


FIG. 6

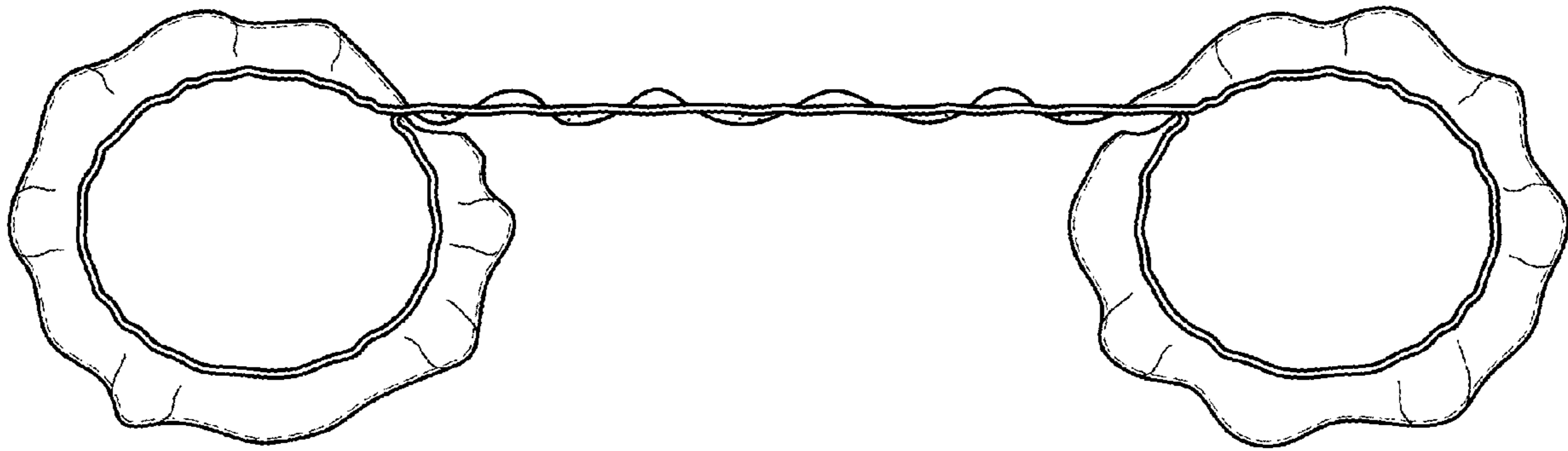


FIG. 7

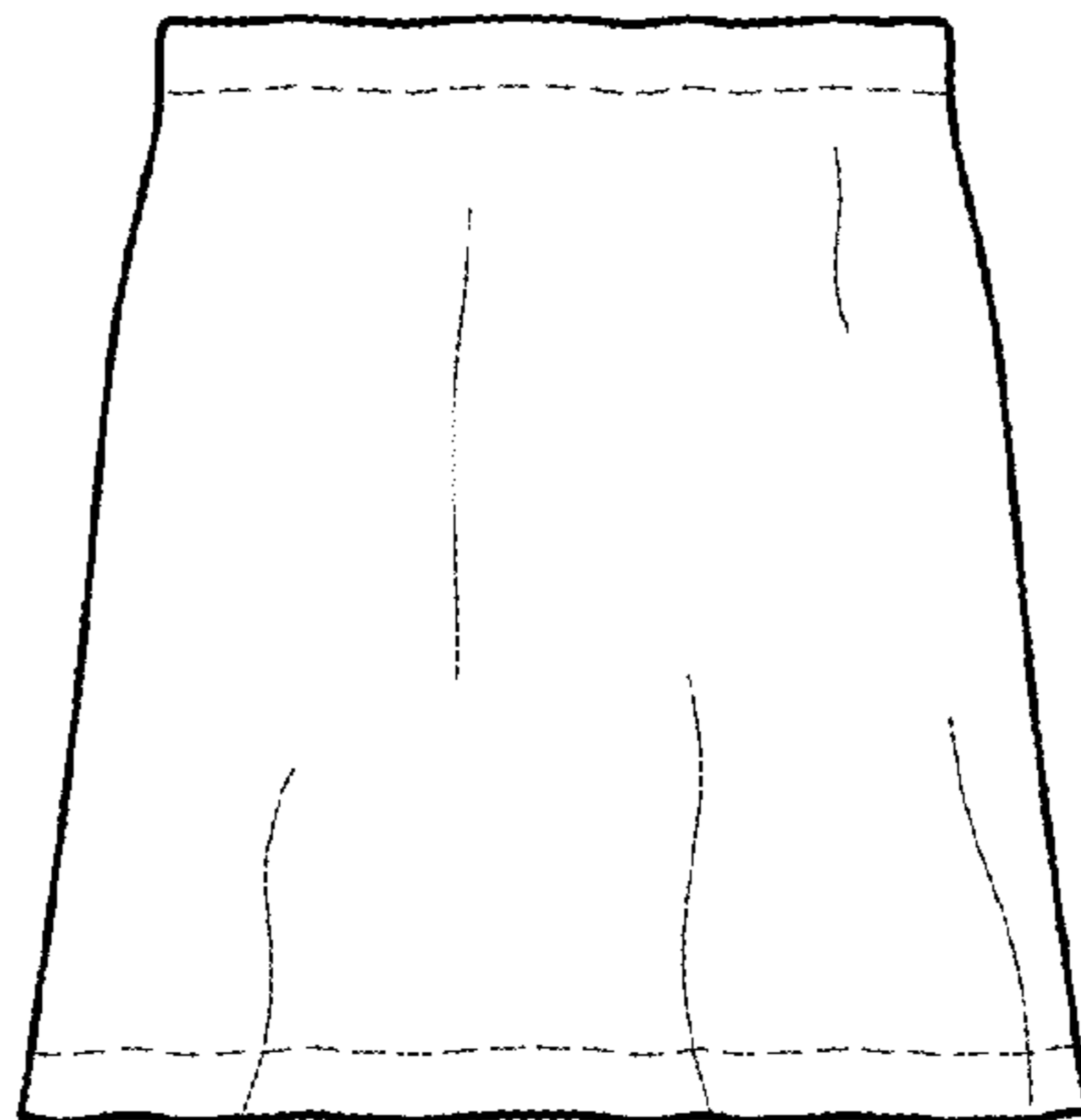


FIG. 8

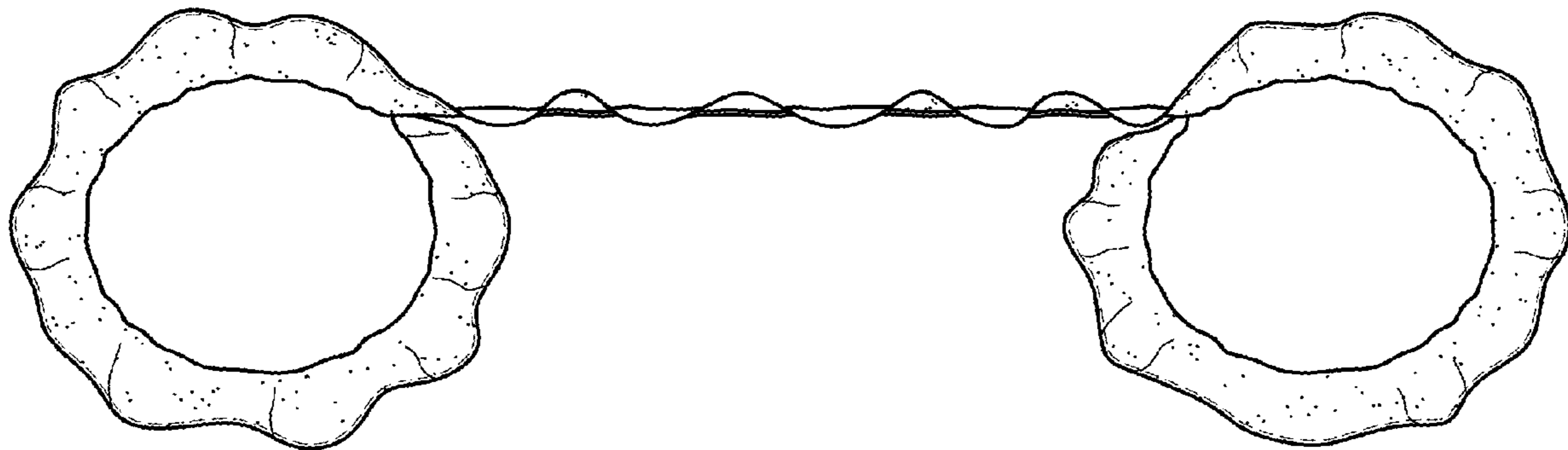


FIG. 9

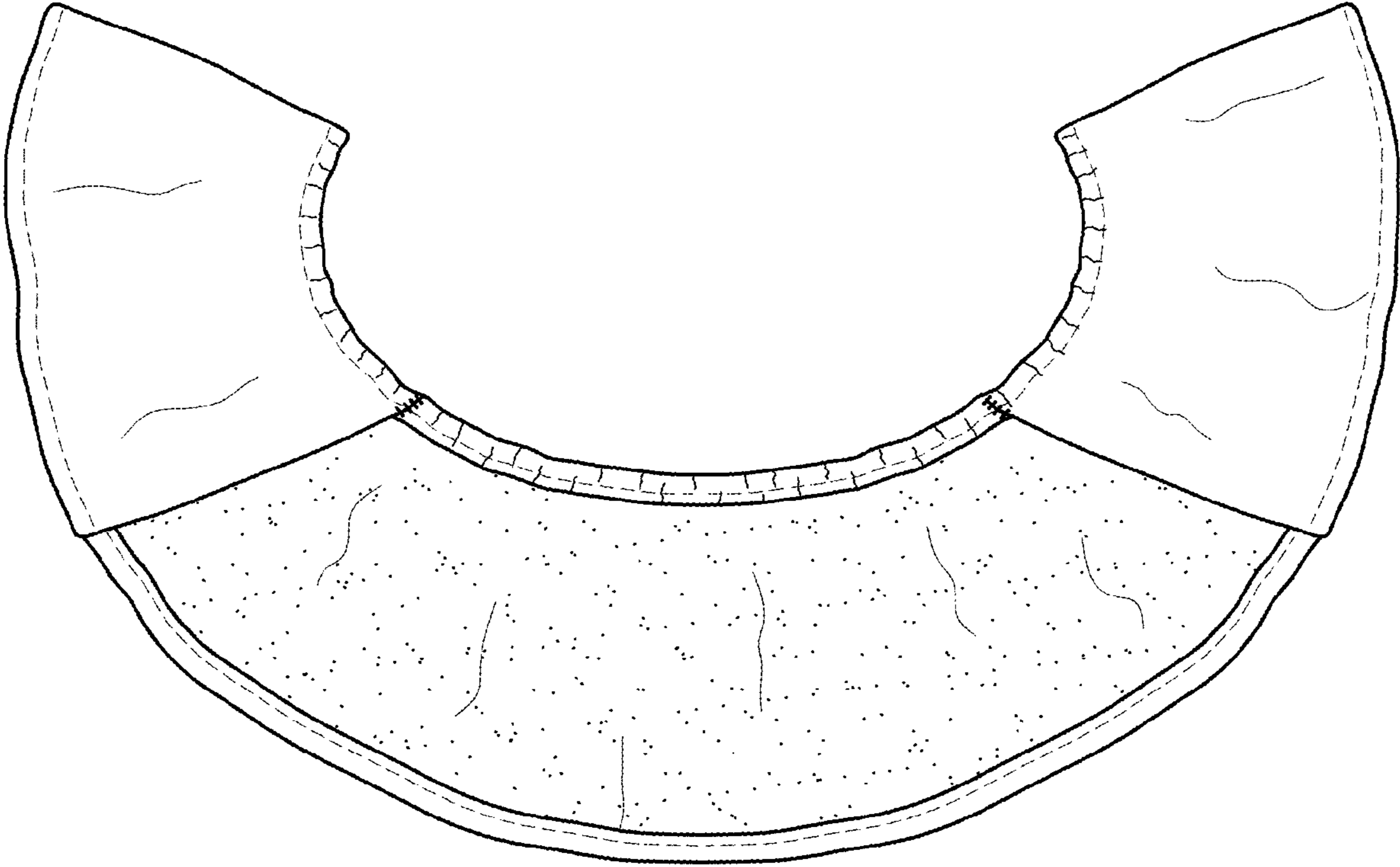


FIG. 10

