



US00D947495S

(12) **United States Design Patent** (10) **Patent No.:** **US D947,495 S**
Huang (45) **Date of Patent:** **** Apr. 5, 2022**

- (54) **SWADDLE**
- (71) Applicant: **HONGKONG Y&W TRADING LIMITED**, Hongkong (CN)
- (72) Inventor: **Peihua Huang**, Hongkong (CN)
- (73) Assignee: **HONGKONG Y&W TRADING LIMITED**, Hongkong (CN)
- (**) Term: **15 Years**
- (21) Appl. No.: **29/781,692**
- (22) Filed: **Apr. 30, 2021**
- (51) **LOC (13) Cl.** **02-01**
- (52) **U.S. Cl.**
USPC **D2/719**
- (58) **Field of Classification Search**
USPC D2/719, 718, 728, 745, 746, 823, 824,
D2/826, 847; D6/603, 608
CPC A41B 13/06; A41B 13/065
See application file for complete search history.

(56) **References Cited**

U.S. PATENT DOCUMENTS

5,722,094	A *	3/1998	Ruefer	A41B 13/06 2/69.5
D395,188	S *	6/1998	Rush	D2/719
D423,760	S *	5/2000	Sorenson	D2/719
D448,142	S *	9/2001	Callan	D2/719
D473,037	S *	4/2003	Williams	D2/719
D504,753	S *	5/2005	Gold	D2/719
D510,658	S *	10/2005	Coates	D3/213
D518,942	S *	4/2006	Dandrea	D2/719
D539,585	S *	4/2007	VanGelder	D6/603
D613,106	S *	4/2010	Ward	D2/719
D675,808	S *	2/2013	Sutton	D2/719
D690,904	S	10/2013	Coates		
D691,781	S *	10/2013	Coates	D2/719
D776,900	S *	1/2017	Bopanna	D2/719

D790,803	S *	7/2017	Paperno	D2/719
D807,614	S *	1/2018	Hooker	D2/719
D821,057	S	6/2018	Coates		
D822,947	S *	7/2018	Kroening	D2/719
D878,710	S *	3/2020	Lipworth	D2/719
D901,133	S *	11/2020	Brewster	D2/719
D905,379	S *	12/2020	Chow	D2/719
2010/0257653	A1 *	10/2010	Pitts	A41B 13/06 2/69.5
2011/0197365	A1 *	8/2011	Wadia	A47D 13/02 5/655
2011/0231993	A1 *	9/2011	Schmid	A41B 13/06 2/69.5
2014/0020176	A1 *	1/2014	Coates	A41B 13/06 5/494

(Continued)

Primary Examiner — Michelle E. Wilson

Assistant Examiner — Clese Moore, Jr.

(74) *Attorney, Agent, or Firm* — ScienBiziP, P.C.

(57) **CLAIM**

The ornamental design for a swaddle, as shown and described.

DESCRIPTION

FIG. 1 is a front, right, and top perspective view of a swaddle, showing my design.

FIG. 2 is a rear, left, and bottom perspective view thereof.

FIG. 3 is a front elevation view thereof.

FIG. 4 is a rear elevation view thereof.

FIG. 5 is a left side elevation view thereof.

FIG. 6 is a right side elevation view thereof.

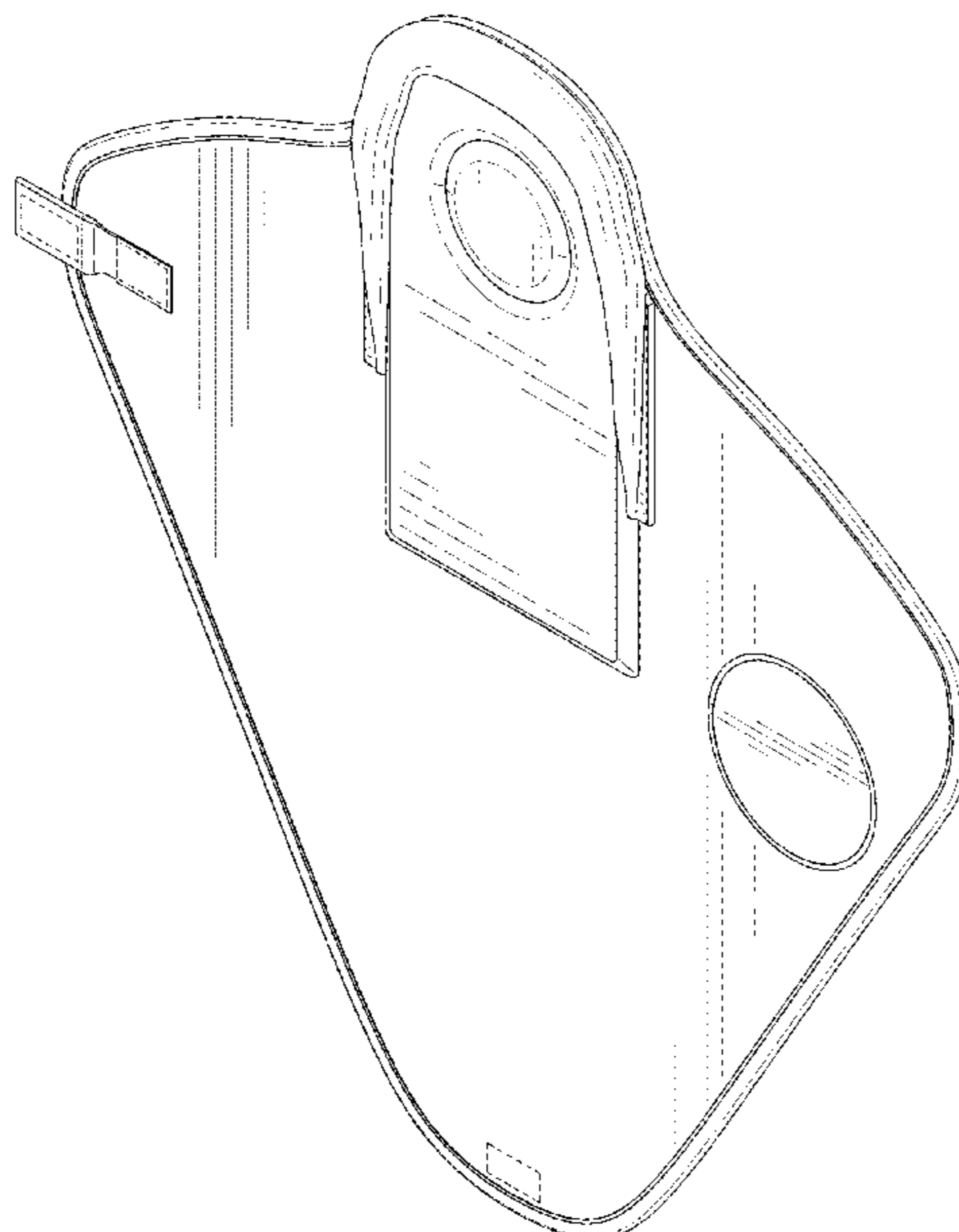
FIG. 7 is a top plan view thereof.

FIG. 8 is a bottom plan view thereof; and,

FIG. 9 is a front, right, and top perspective view of the swaddle of FIG. 1 shown in a folded state.

The broken lines shown in the drawings are included for the purpose of illustrating portions of the swaddle that form no part of the claimed design.

1 Claim, 9 Drawing Sheets



(56)

References Cited

U.S. PATENT DOCUMENTS

2014/0020177 A1* 1/2014 Coates A41B 13/06
5/494
2016/0165960 A1* 6/2016 Jensen A41B 13/06
2/69.5
2018/0332901 A1* 11/2018 Jennings A41B 13/06

* cited by examiner

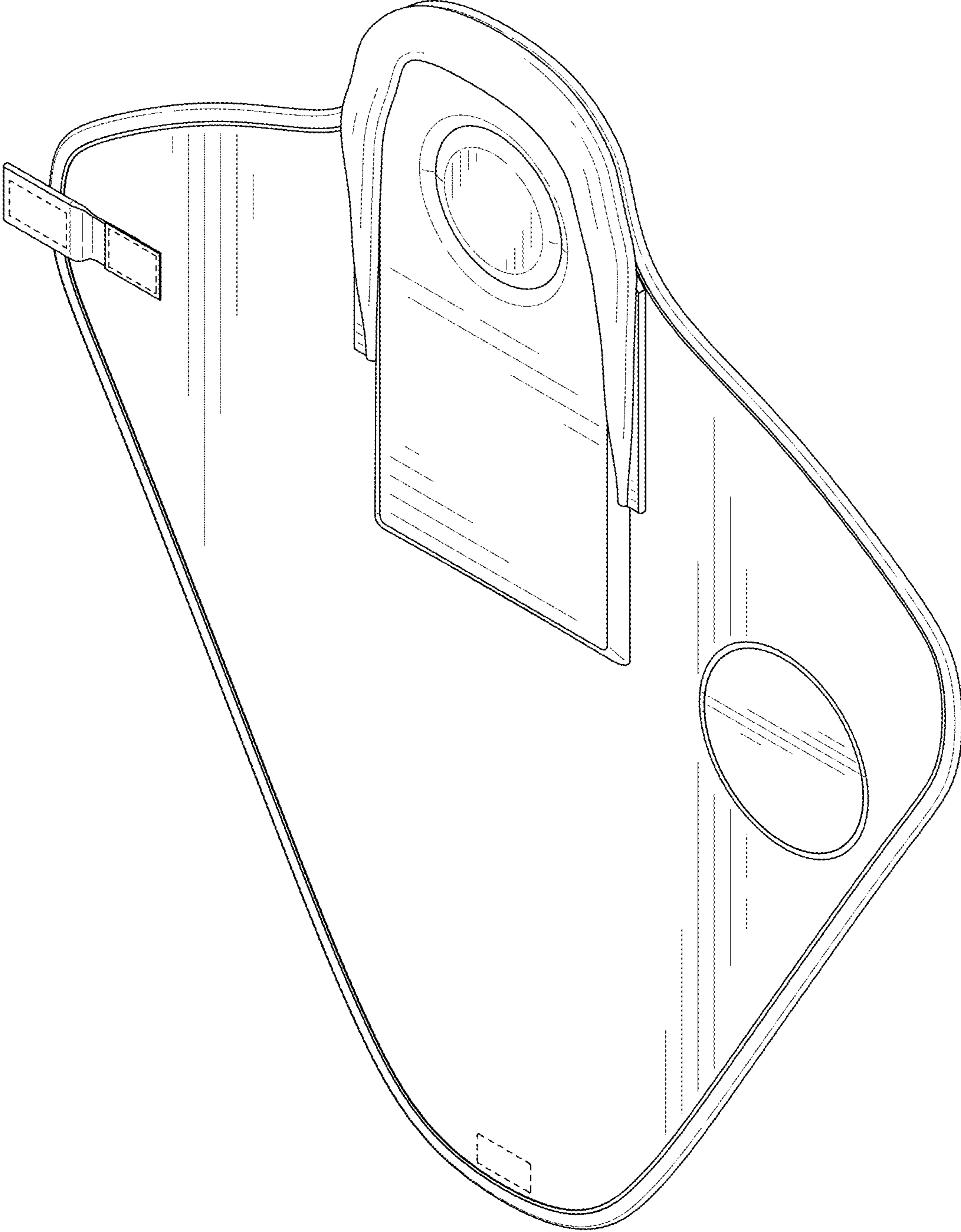


FIG. 1

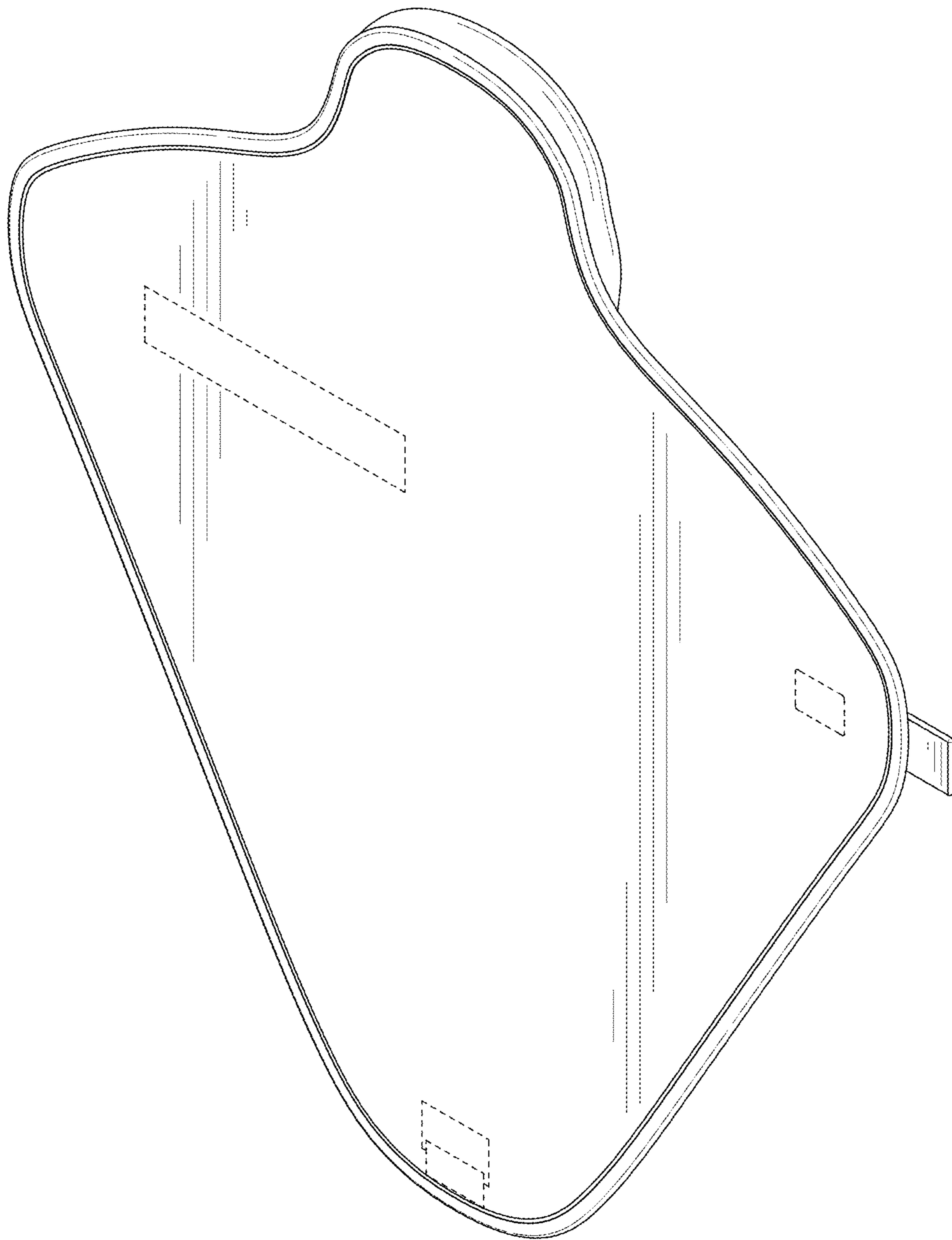


FIG. 2

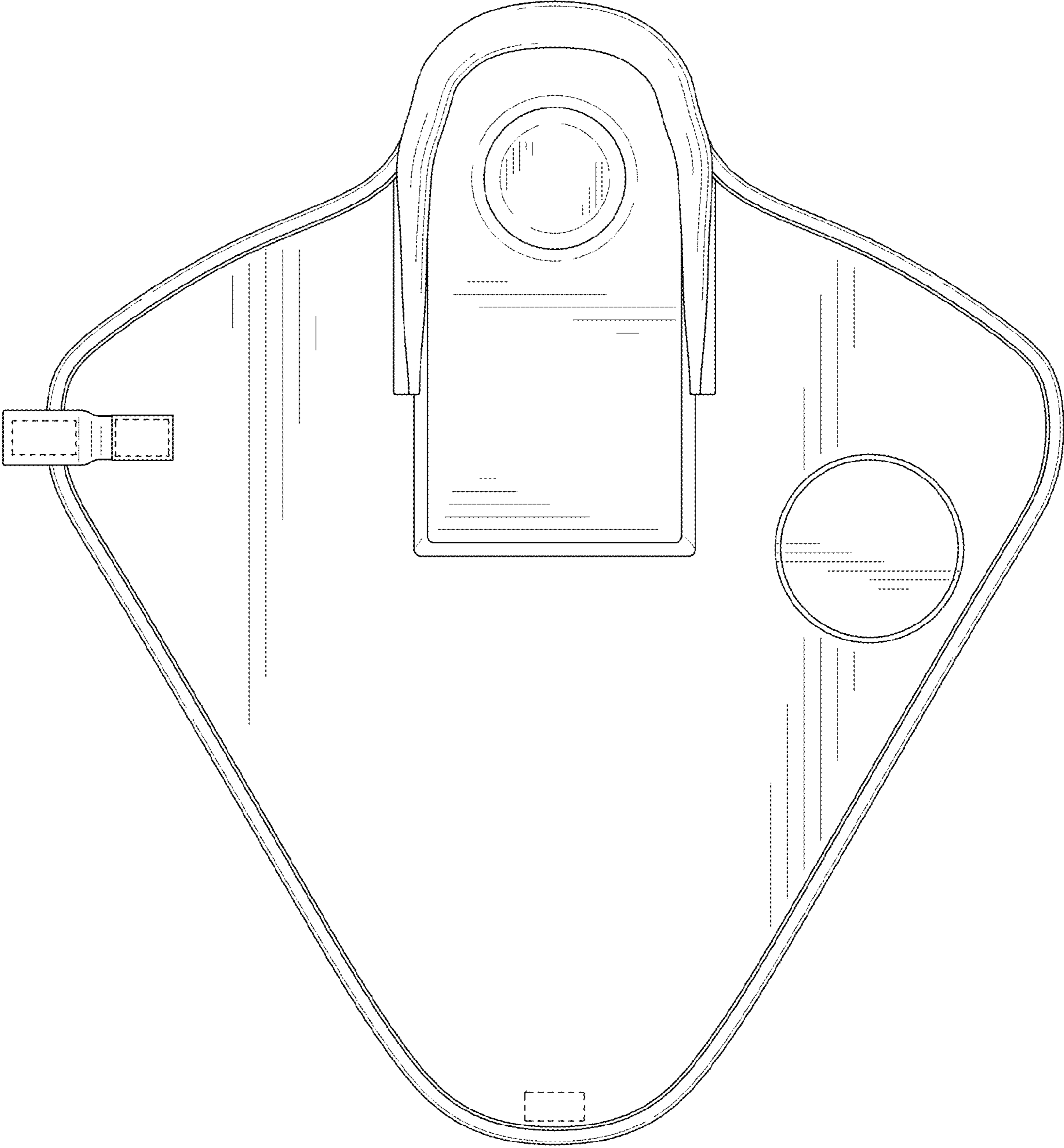


FIG. 3

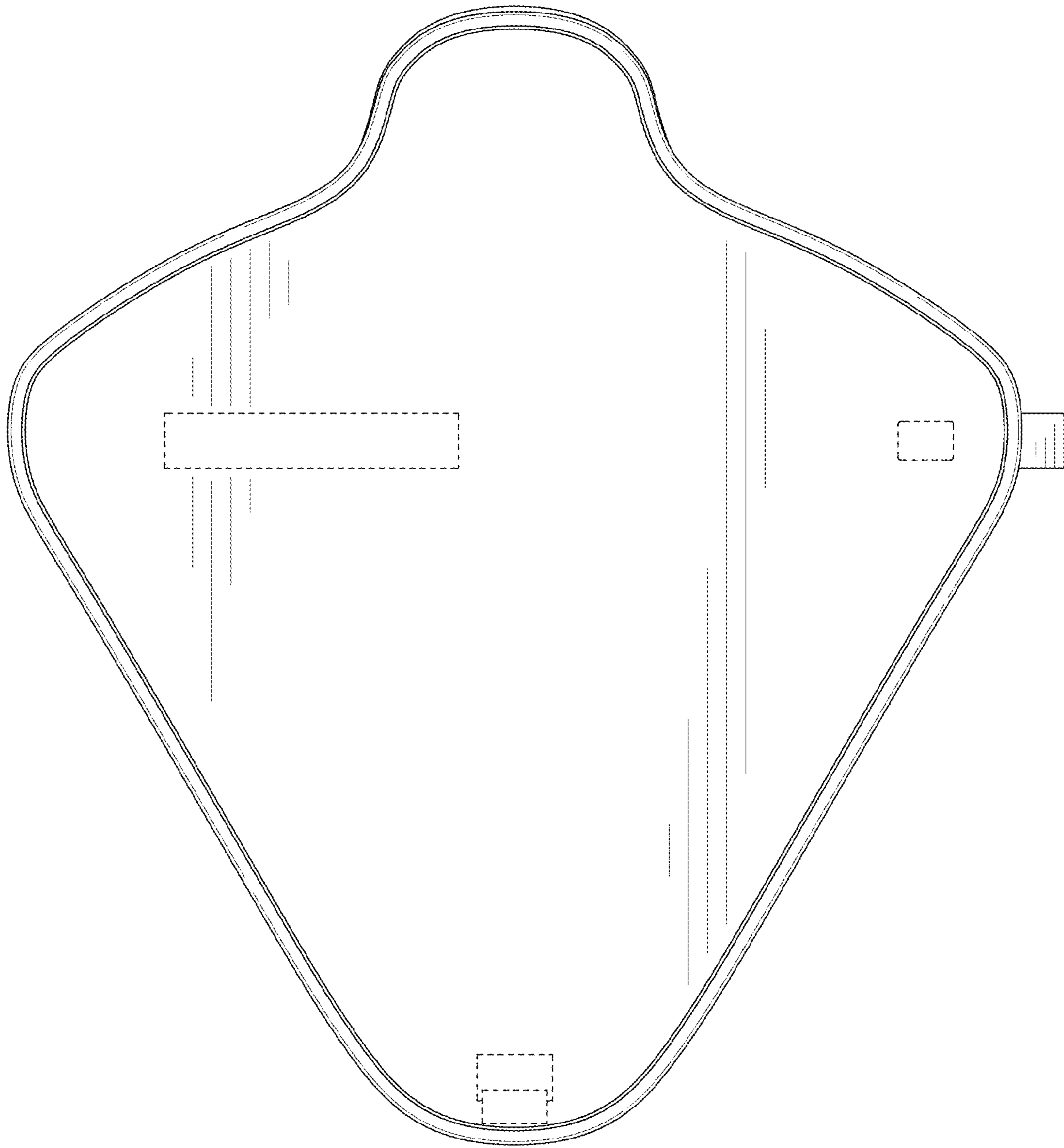


FIG. 4

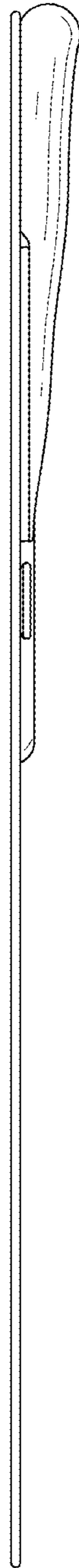


FIG. 5



FIG. 6

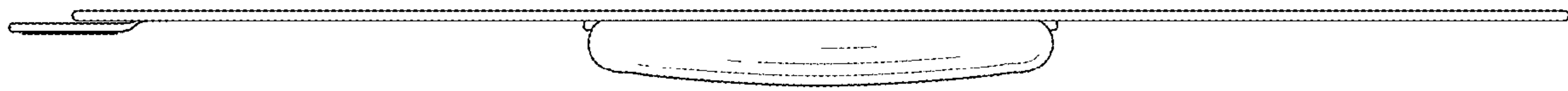


FIG. 7

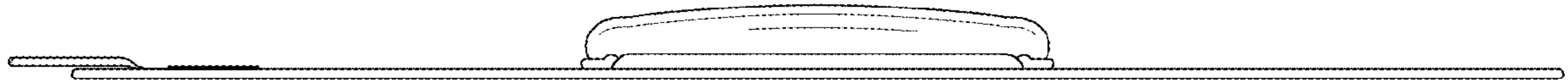


FIG. 8

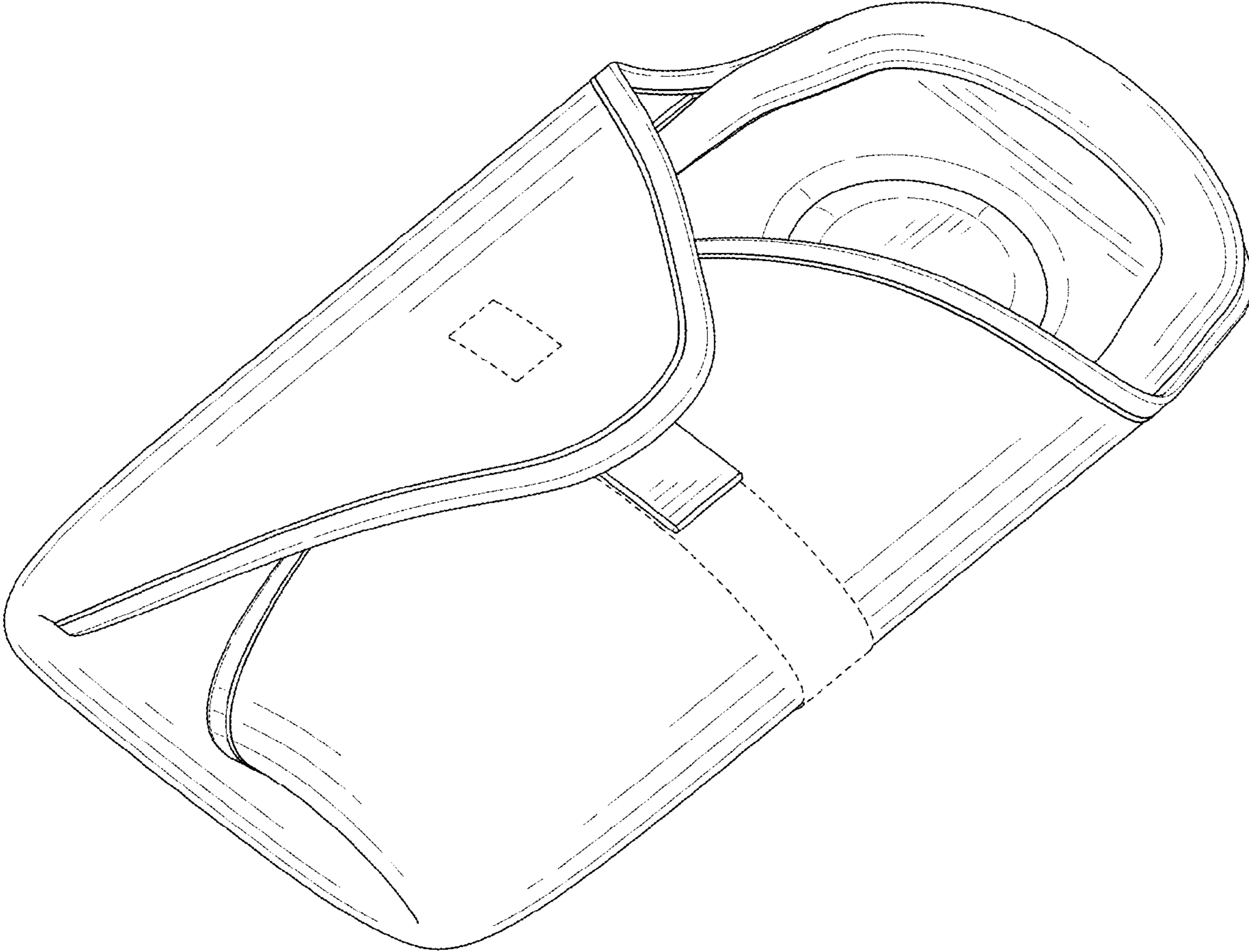


FIG. 9