

US00D947487S

(12) **United States Design Patent** (10) **Patent No.:** **US D947,487 S**
Alston (45) **Date of Patent:** **** Apr. 5, 2022**

(54) **COMBINED ICE CREAM CONE AND ICE CREAM PORTION**

(71) Applicant: **Michael Lane Sinclair Alston,**
Auckland (NZ)

(72) Inventor: **Michael Lane Sinclair Alston,**
Auckland (NZ)

(**) Term: **15 Years**

(21) Appl. No.: **29/751,773**

(22) Filed: **Sep. 23, 2020**

(30) **Foreign Application Priority Data**

Mar. 23, 2020 (NZ) 427278

(51) **LOC (13) Cl.** **01-01**

(52) **U.S. Cl.**
USPC **D1/101; D1/116**

(58) **Field of Classification Search**
USPC D1/100–130, 199; 426/94, 104, 138,
426/143, 144, 274, 283, 303, 391, 512,
426/514, 518, 549; D6/597, 601;
D7/675, 560, 566, 568, 601, 700;
D24/122; D28/8.1, 8.2; D21/385, 386,
D21/707; D11/164; 47/72

CPC A23L 1/0067; A23L 1/005; A23L 1/0052;
A23L 1/217; A23G 9/48; A23G 3/54;
A23V 2002/00

See application file for complete search history.

(56) **References Cited**

U.S. PATENT DOCUMENTS

2,344,302 A * 3/1944 Harza E02B 3/14
405/16
3,962,470 A * 6/1976 Stucker A23G 3/563
426/135

D269,723 S * 7/1983 Tovey 424/467
D305,978 S * 2/1990 Mileos D7/672
D308,019 S * 5/1990 Mileos D7/672
4,938,411 A * 7/1990 Rizzuto A23G 9/288
220/738
D405,879 S * 2/1999 Leonard D24/101
D464,808 S * 10/2002 Martinez D6/300
D569,076 S * 5/2008 Lebrand D1/105
D581,090 S * 11/2008 Colleran, Jr. D26/122
D640,159 S * 6/2011 Millar D11/89
D790,150 S * 6/2017 Marx D1/102
D861,280 S * 10/2019 Eraser D1/102

* cited by examiner

Primary Examiner — Katie Jane Stofko

(74) *Attorney, Agent, or Firm* — Nixon & Vanderhye

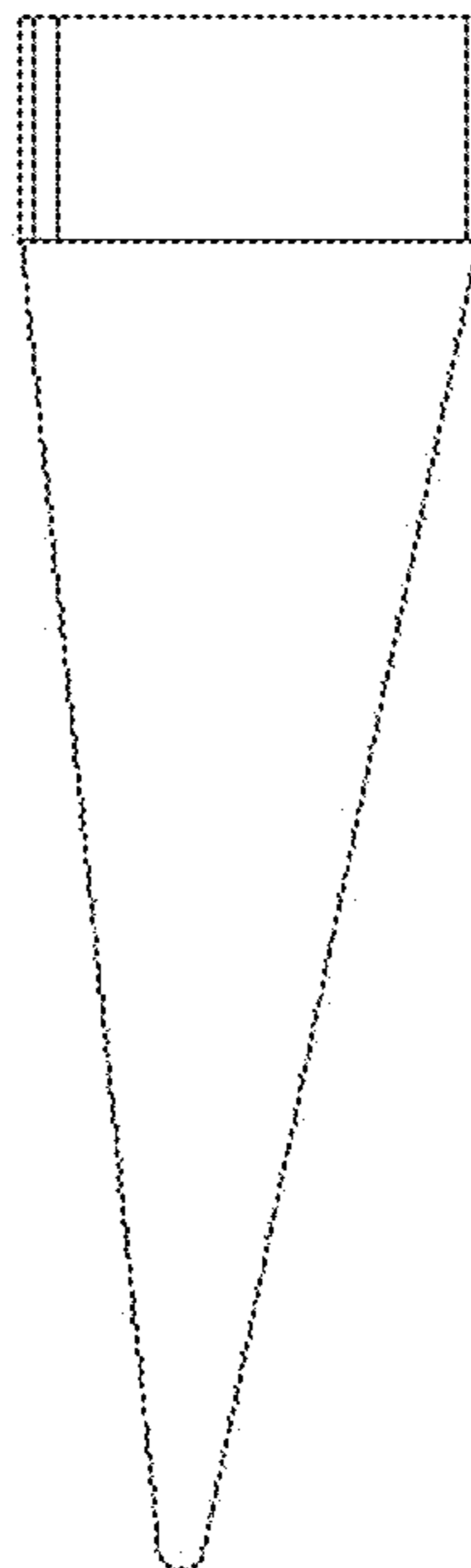
(57) **CLAIM**

The ornamental design for a combined ice cream cone and ice cream portion, as shown and described.

DESCRIPTION

FIG. 1 is a left side elevation view of a combined ice cream cone and ice cream portion showing the new design;
FIG. 2 is a right side elevation view thereof;
FIG. 3 is a front elevation view thereof;
FIG. 4 is a rear elevation view thereof;
FIG. 5 is a top plan view thereof;
FIG. 6 is a bottom plan view thereof; and,
FIG. 7 is a top perspective view thereof.

1 Claim, 4 Drawing Sheets



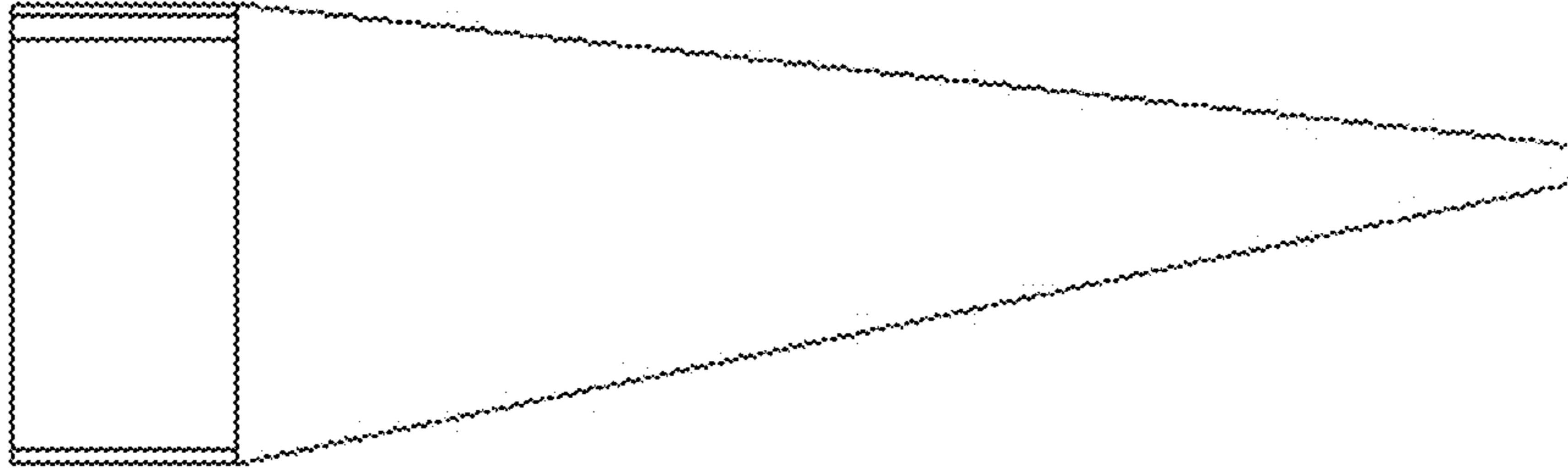


FIG. 2

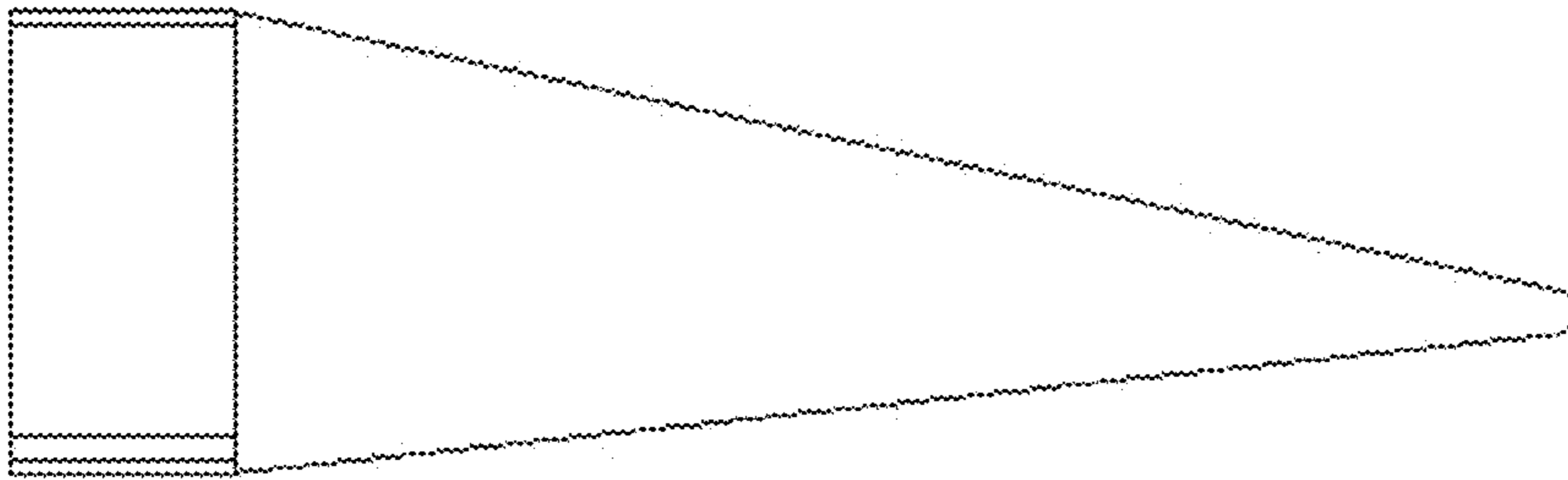


FIG. 1

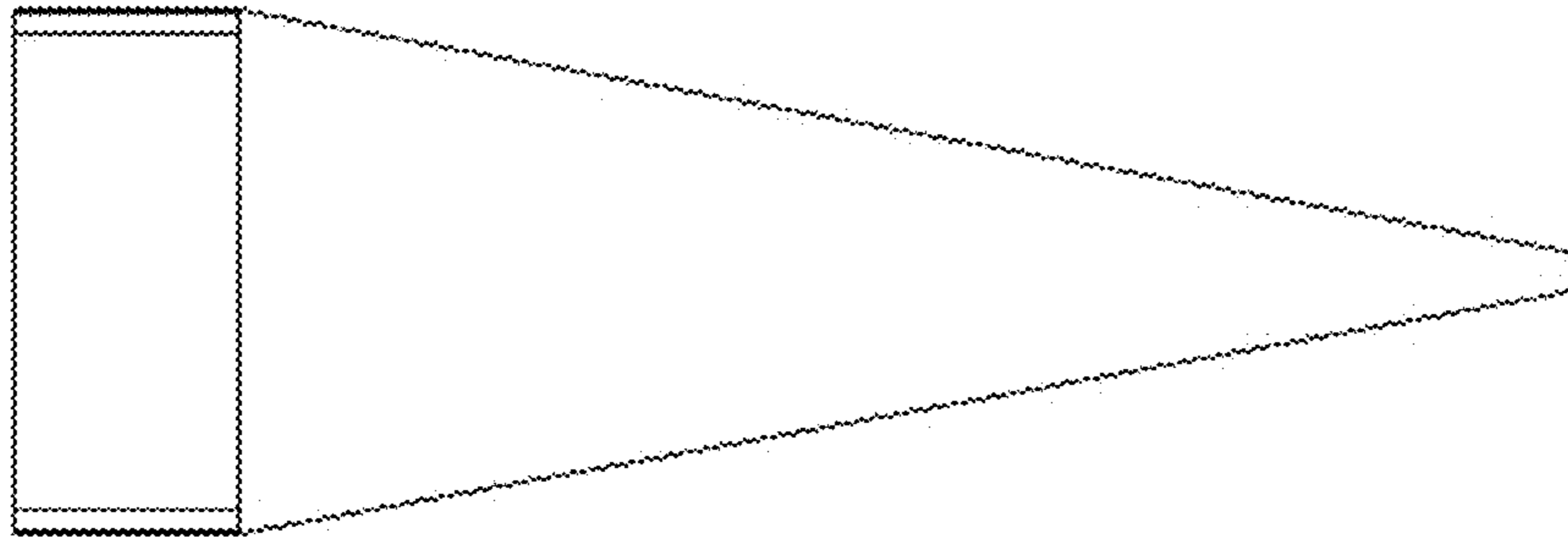


FIG. 4

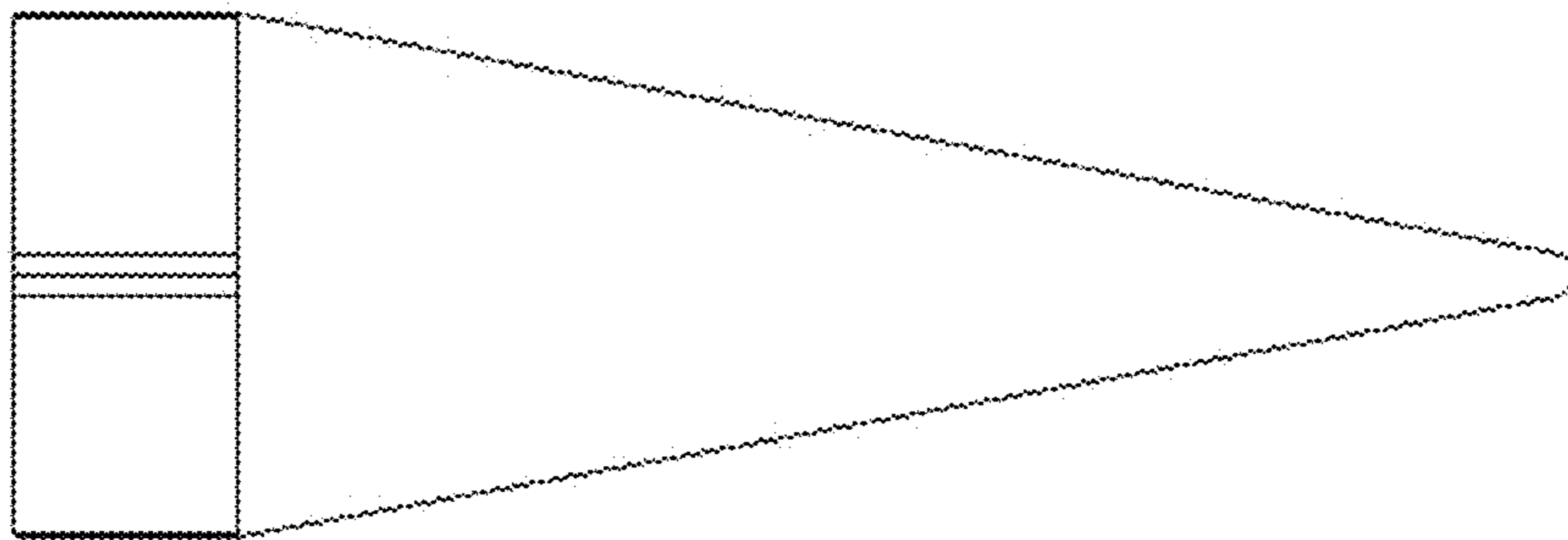


FIG. 3

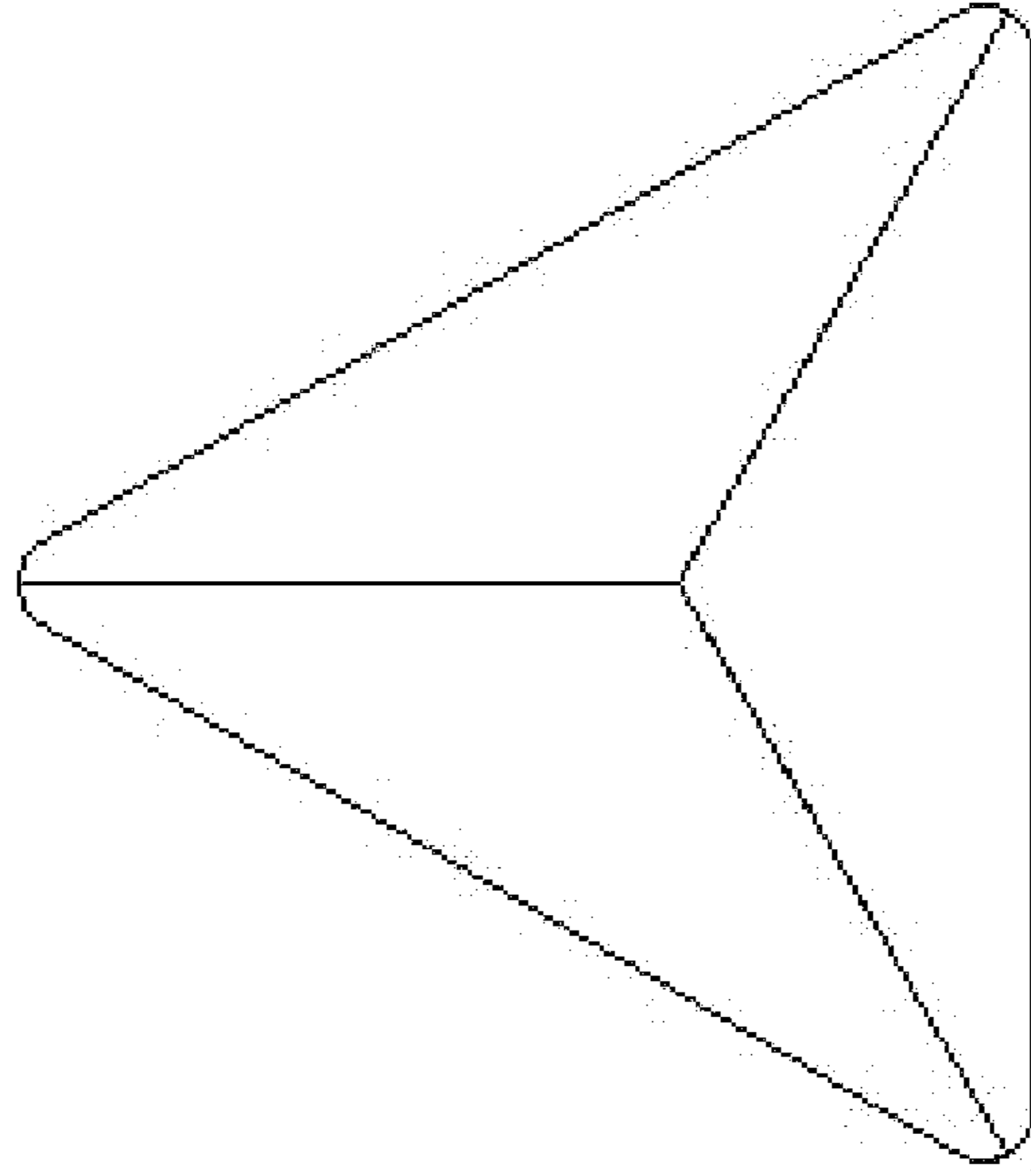


FIG. 5

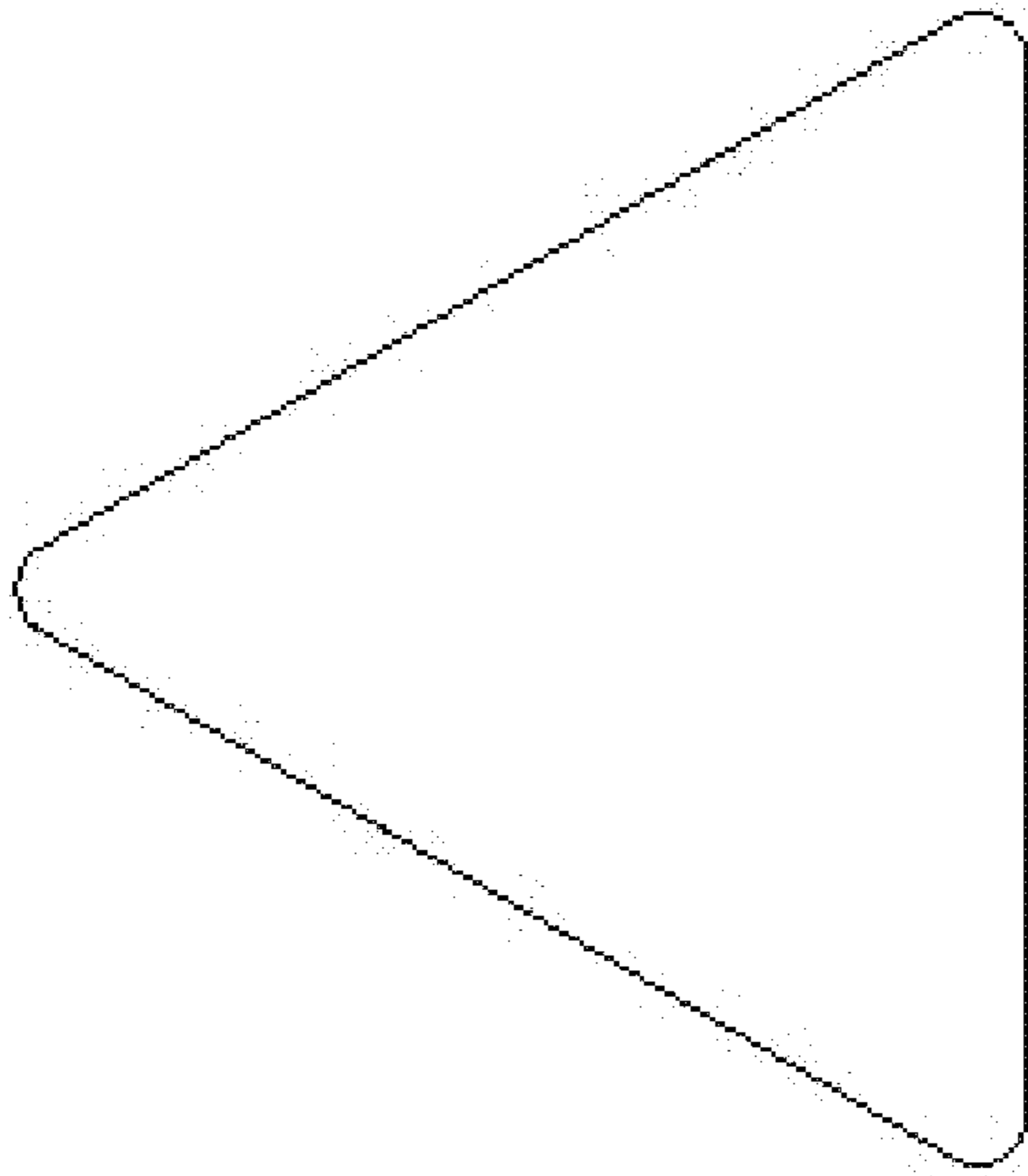


FIG. 6

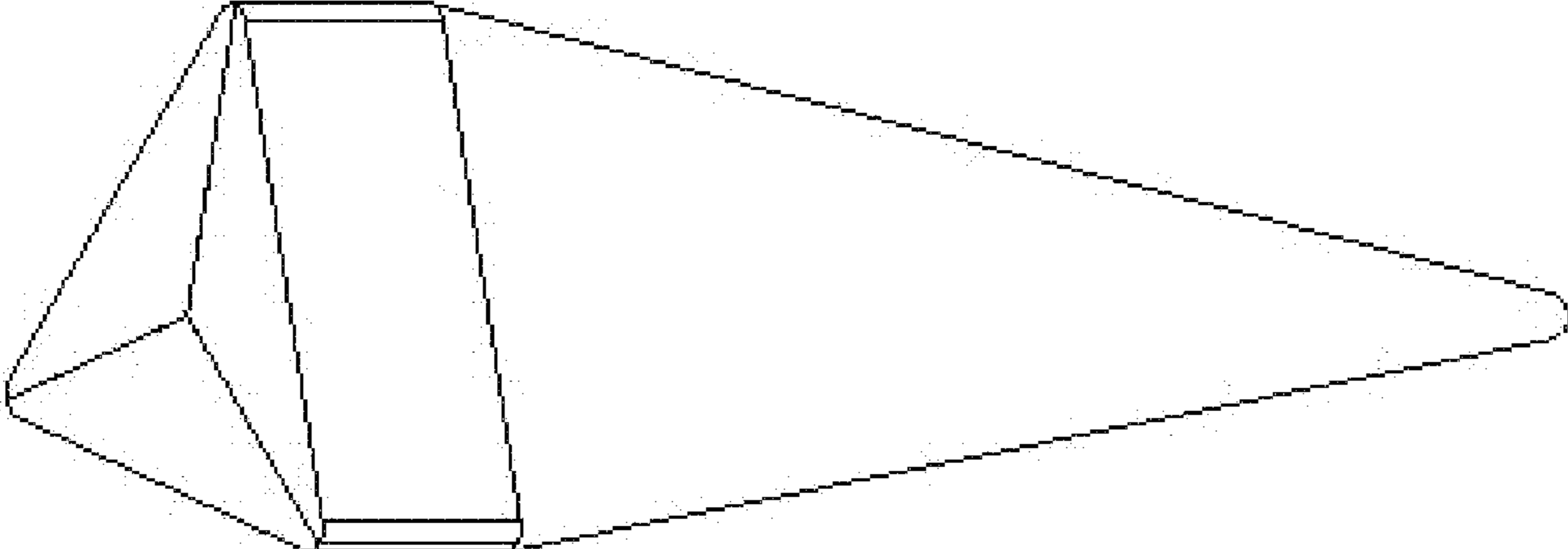


FIG. 7