



US00D947486S

(12) **United States Design Patent** (10) **Patent No.:** **US D947,486 S**  
**Alston** (45) **Date of Patent:** **\*\* Apr. 5, 2022**

(54) **COMBINED ICE CREAM CONE AND ICE CREAM PORTION**

(71) Applicant: **Michael Lane Sinclair Alston,**  
Auckland (NZ)

(72) Inventor: **Michael Lane Sinclair Alston,**  
Auckland (NZ)

(\*\*) Term: **15 Years**

(21) Appl. No.: **29/751,769**

(22) Filed: **Sep. 23, 2020**

(30) **Foreign Application Priority Data**

Mar. 23, 2020 (NZ) ..... 427276

(51) **LOC (13) Cl.** ..... **01-01**

(52) **U.S. Cl.**  
USPC ..... **D1/101; D1/118**

(58) **Field of Classification Search**  
USPC ..... D1/100-130, 199; 426/94, 104, 138,  
426/143, 144, 274, 283, 303, 391, 512,  
426/514, 518, 549; D6/597, 601;  
D7/675, 560, 566, 568, 601, 700;  
D24/122; D28/8.1, 8.2; D21/385, 386,  
D21/707; D11/164; 47/72

CPC ..... A23L 1/0067; A23L 1/005; A23L 1/0052;  
A23L 1/217; A23G 9/48; A23G 3/54;  
A23V 2002/00

See application file for complete search history.

(56) **References Cited**

**U.S. PATENT DOCUMENTS**

609,390 A \* 8/1898 Hollstein ..... A63B 67/205  
473/506  
D222,304 S \* 10/1971 Smith ..... D19/25

3,962,470 A \* 6/1976 Stucker ..... A23G 3/563  
426/135  
D308,019 S \* 5/1990 Mileos ..... D7/672  
4,938,411 A \* 7/1990 Rizzuto ..... A23G 9/288  
220/738  
D321,580 S \* 11/1991 Jones ..... D1/116  
D472,930 S \* 4/2003 Bump ..... D11/131  
D530,448 S \* 10/2006 Snyder ..... D28/8.2  
D742,816 S \* 11/2015 Anker ..... D13/102  
D790,150 S \* 6/2017 Marx Freiherr von Muller .....  
D1/102  
D861,280 S \* 10/2019 Broser ..... D1/102  
D890,469 S \* 7/2020 Park ..... D1/116  
D890,470 S \* 7/2020 Park ..... D1/116

**OTHER PUBLICATIONS**

Square Ice Cream. Jul. 30, 2013. Web. Dec. 4, 2021. <<http://www.bizmojoidaho.com/2013/07/tradition-location-key-to-sales-of.html>>.\*

\* cited by examiner

*Primary Examiner* — Katie Jane Stofko

(74) *Attorney, Agent, or Firm* — Nixon & Vanderhye

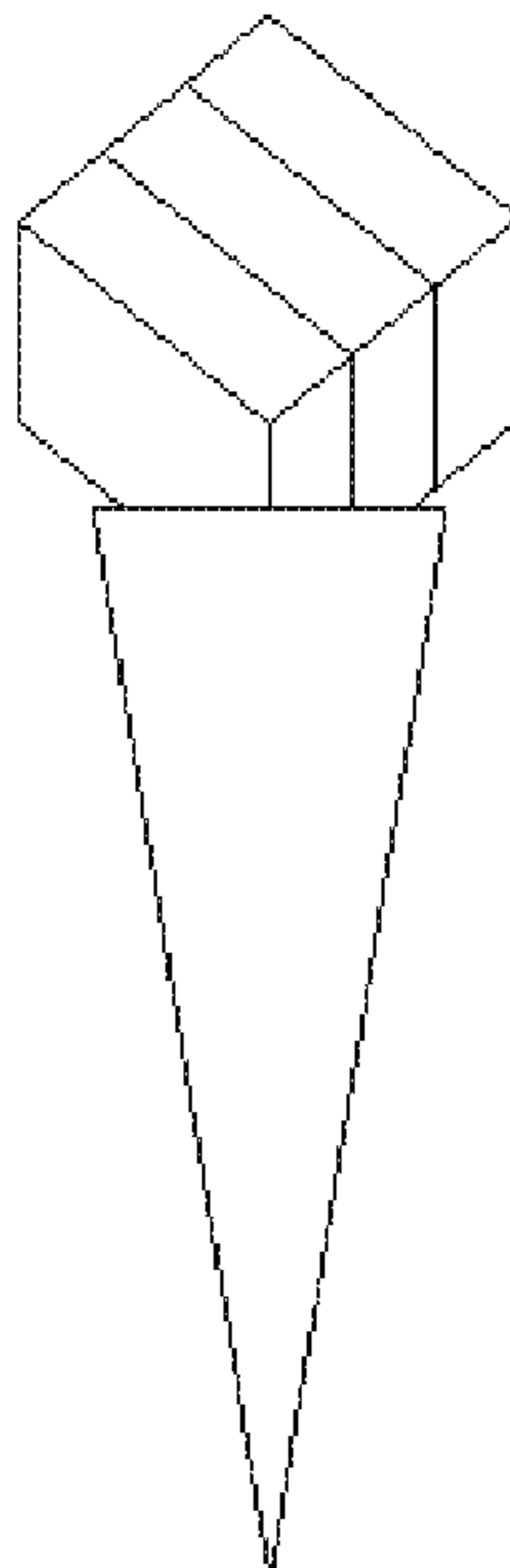
(57) **CLAIM**

The ornamental design for a combined ice cream cone and ice cream portion, as shown and described.

**DESCRIPTION**

FIG. 1 is a front elevation view of a combined ice cream cone and ice cream portion showing the new design; FIG. 2 is a rear elevation view thereof; FIG. 3 is a left side elevation view thereof; FIG. 4 is a right side elevation view thereof; FIG. 5 is a bottom perspective view thereof; FIG. 6 is a top plan view thereof; and, FIG. 7 is a bottom plan view thereof.

**1 Claim, 4 Drawing Sheets**



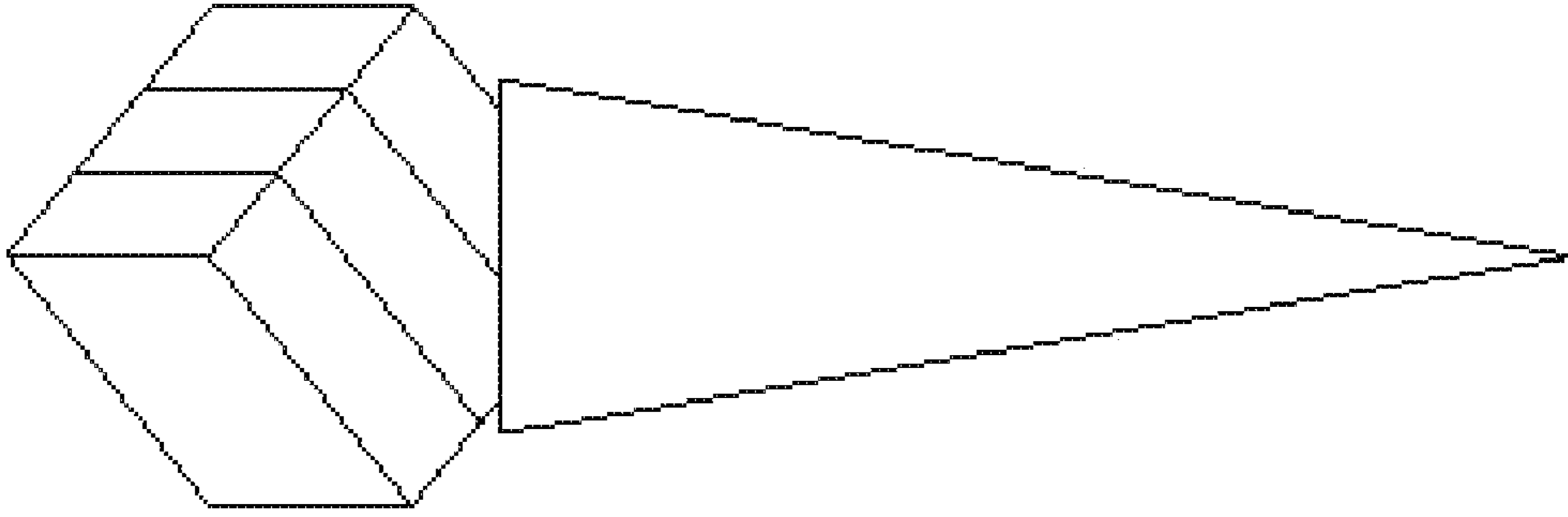


FIG. 2

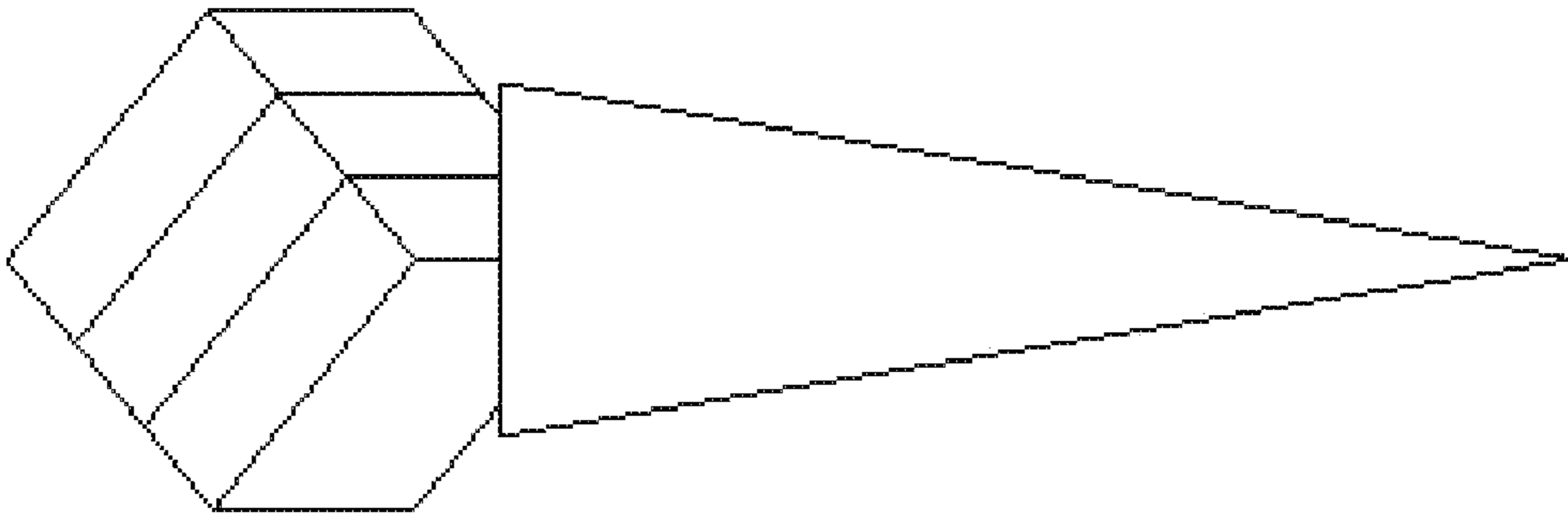


FIG. 1

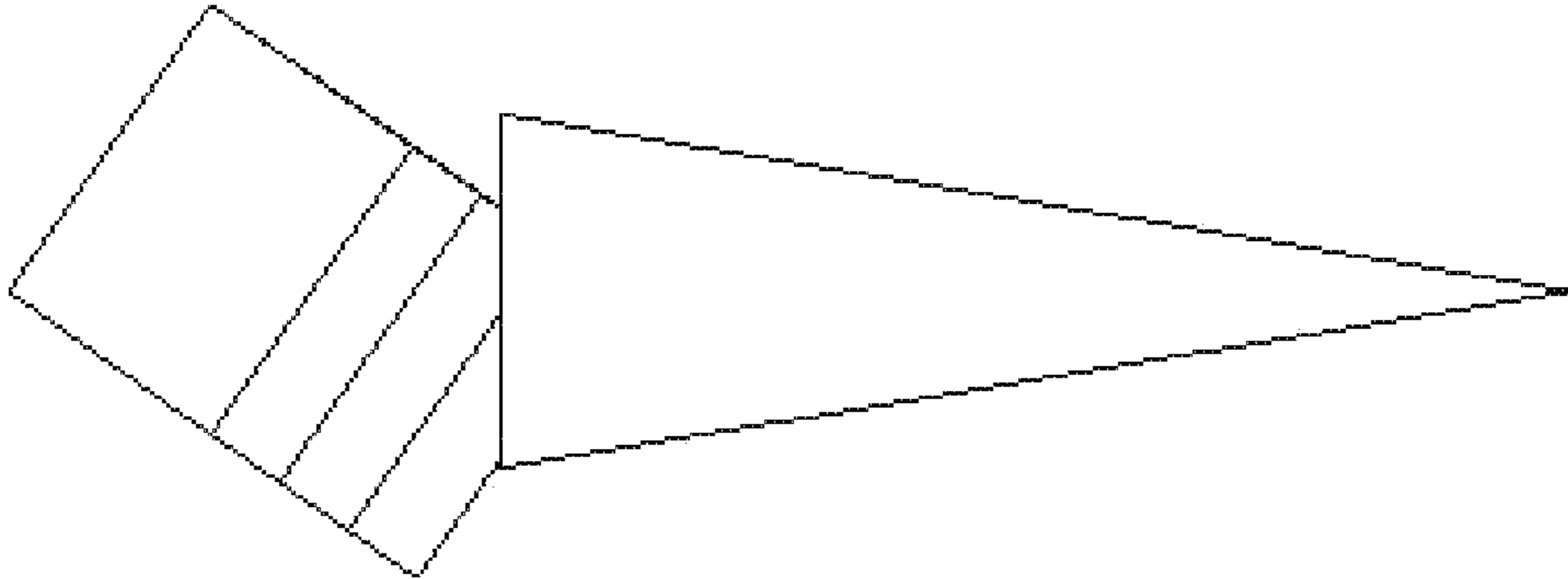


FIG. 4

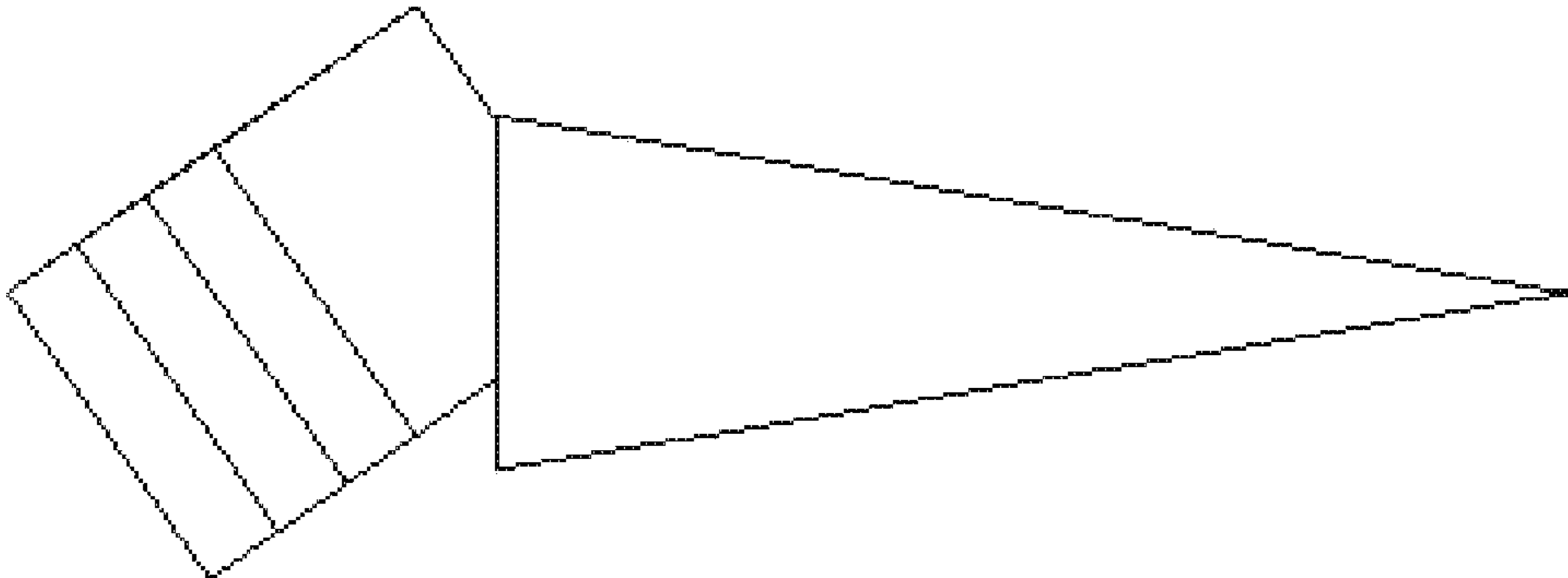


FIG. 3

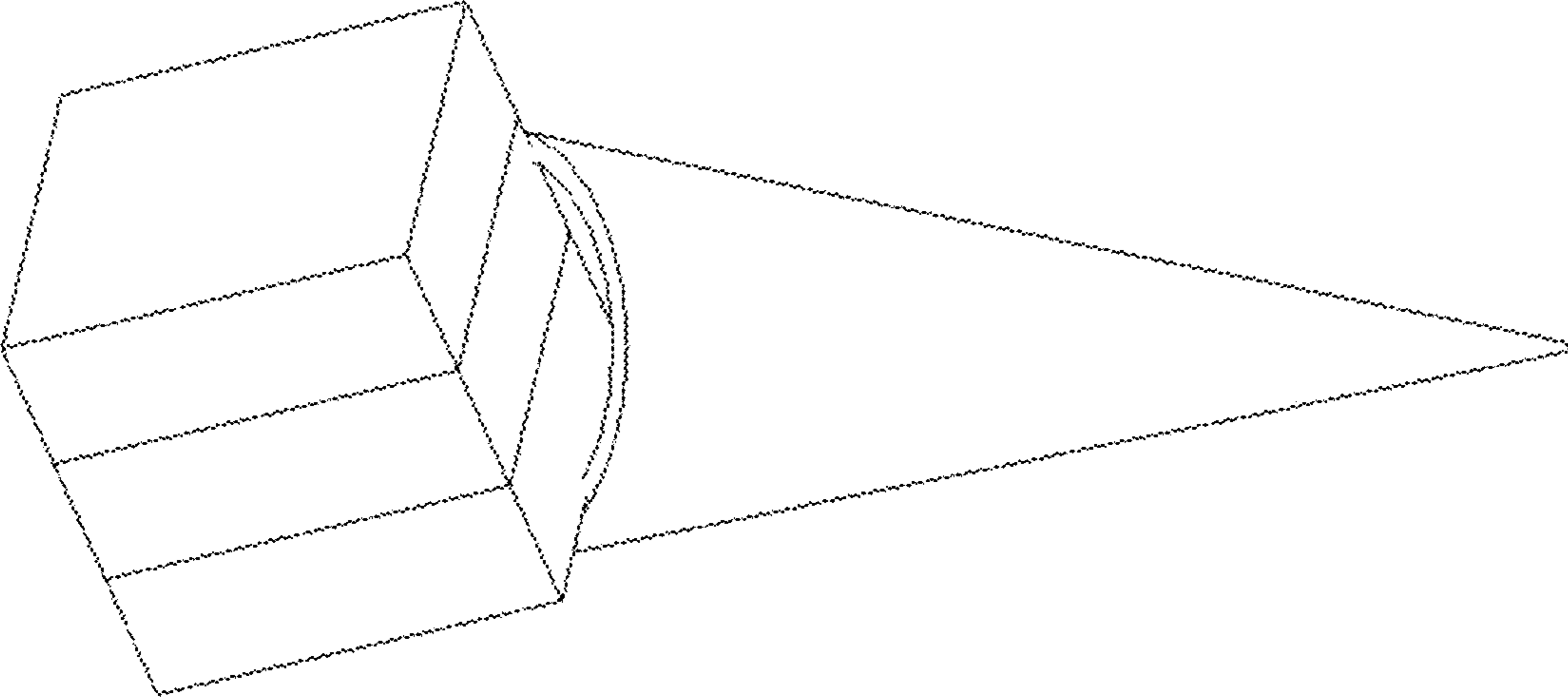


FIG. 5

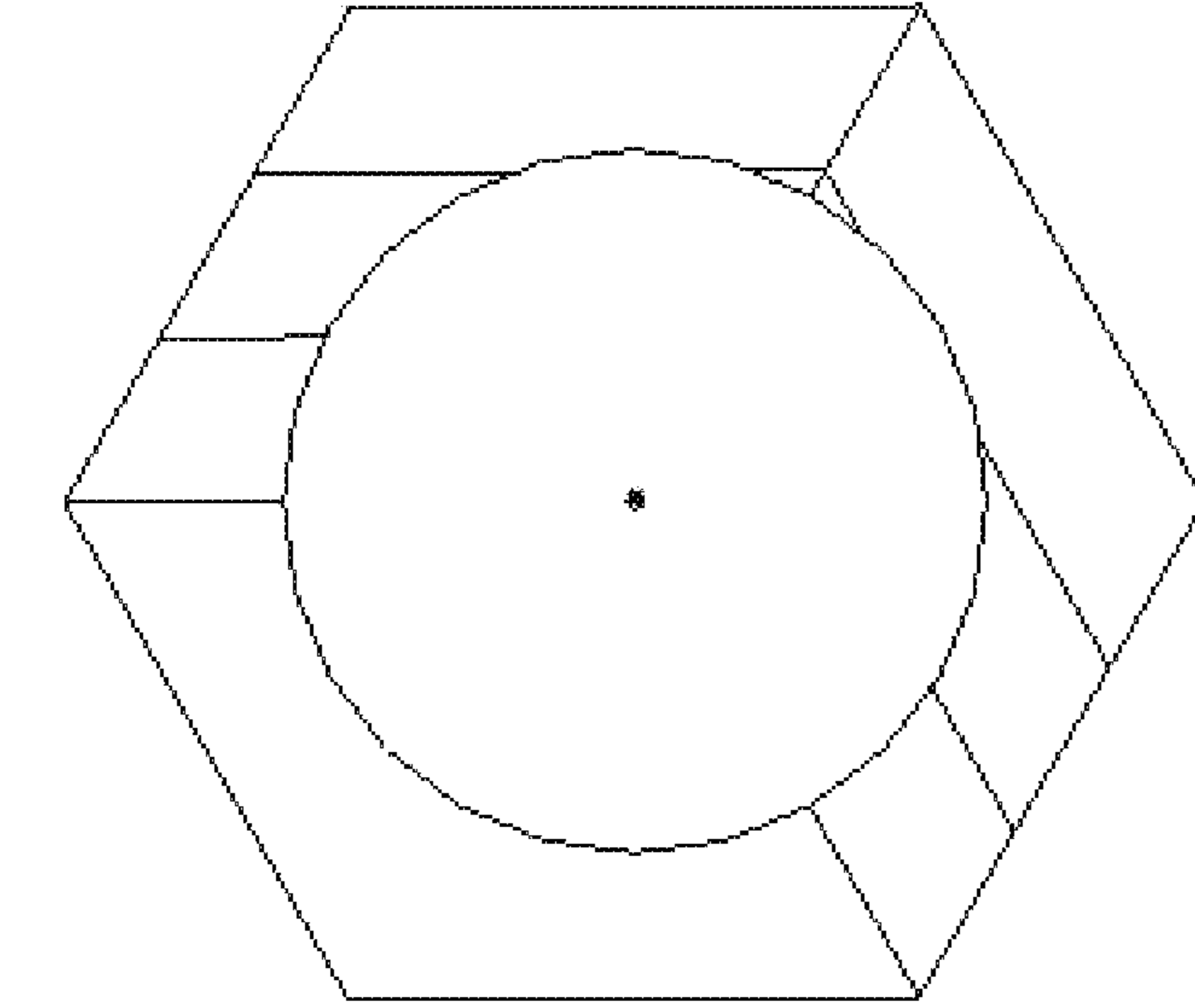


FIG. 6

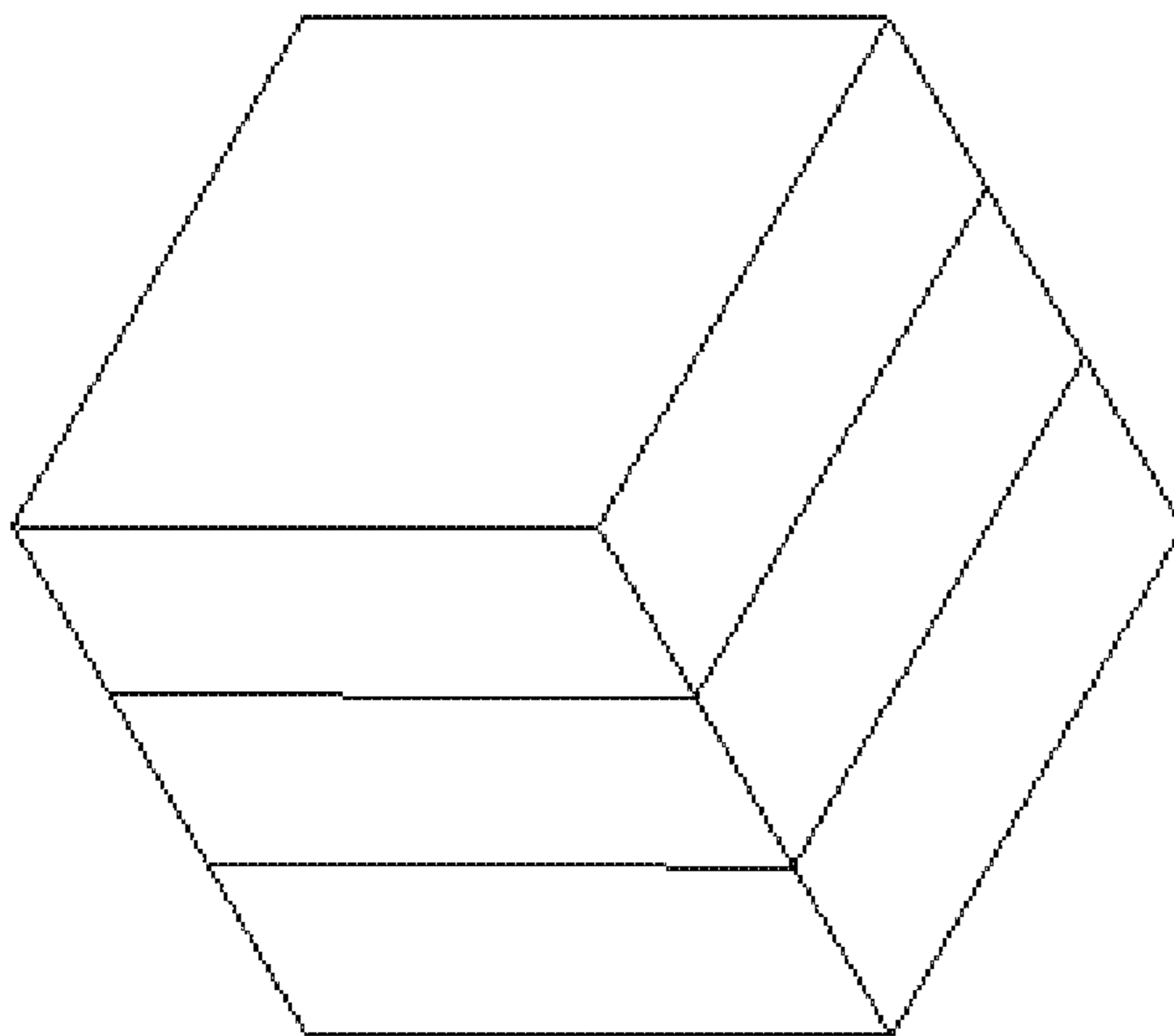


FIG. 7