



US00D947481S

(12) **United States Design Patent**  
**Horimizu**

(10) **Patent No.:** **US D947,481 S**  
(45) **Date of Patent:** **\*\* Mar. 29, 2022**

(54) **LIFTING APPARATUS**

(71) Applicant: **YASUI CORPORATION**, Shizuoka (JP)

(72) Inventor: **Toshihide Horimizu**, Shizuoka (JP)

(\*\*) Term: **15 Years**

(21) Appl. No.: **35/509,208**

(22) Filed: **Oct. 21, 2019**

(80) **Hague Agreement Data**

Int. Filing Date: **Oct. 21, 2019**  
Int. Reg. No.: **DM/205145**  
Int. Reg. Date: **Oct. 21, 2019**  
Int. Reg. Pub. Date: **Apr. 24, 2020**

(30) **Foreign Application Priority Data**

Apr. 25, 2019 (JP) ..... 2019-009379

(51) **LOC (13) Cl.** ..... **12-05**

(52) **U.S. Cl.**  
USPC ..... **D34/28**

(58) **Field of Classification Search**  
USPC ..... D34/28, 33, 35  
CPC .... B66F 7/065; B66F 7/08; B66F 7/28; B66F 7/0666

See application file for complete search history.

(56) **References Cited**

**U.S. PATENT DOCUMENTS**

- 4,743,040 A \* 5/1988 Breveglieri ..... B62B 3/10  
280/47.35
- D381,172 S \* 7/1997 Jackson ..... D34/24
- D583,122 S \* 12/2008 Ralph ..... D34/24
- D633,271 S \* 2/2011 Casey ..... D34/26
- D685,563 S \* 7/2013 Chan ..... D34/28
- D802,241 S \* 11/2017 Hlavac ..... D34/24
- D825,131 S \* 8/2018 Wik ..... D34/28
- D826,510 S \* 8/2018 Brunner ..... D34/24

- 10,173,873 B2 \* 1/2019 Horimizu ..... B66F 7/28
- 2012/0160577 A1 \* 6/2012 Anasiewicz ..... B62D 51/04  
180/19.1
- 2020/0071141 A1 \* 3/2020 Kritzer ..... B66F 7/22
- 2020/0115204 A1 \* 4/2020 Benz ..... B66F 7/0641
- 2020/0148517 A1 \* 5/2020 Nussbaum ..... B66F 7/025
- 2020/0339397 A1 \* 10/2020 Horimizu ..... B66F 7/0691
- 2021/0087030 A1 \* 3/2021 Benz ..... B66F 7/065

\* cited by examiner

*Primary Examiner* — Michael A. Pratt

(57) **CLAIM**

The ornamental design for lifting apparatus, as shown and described.

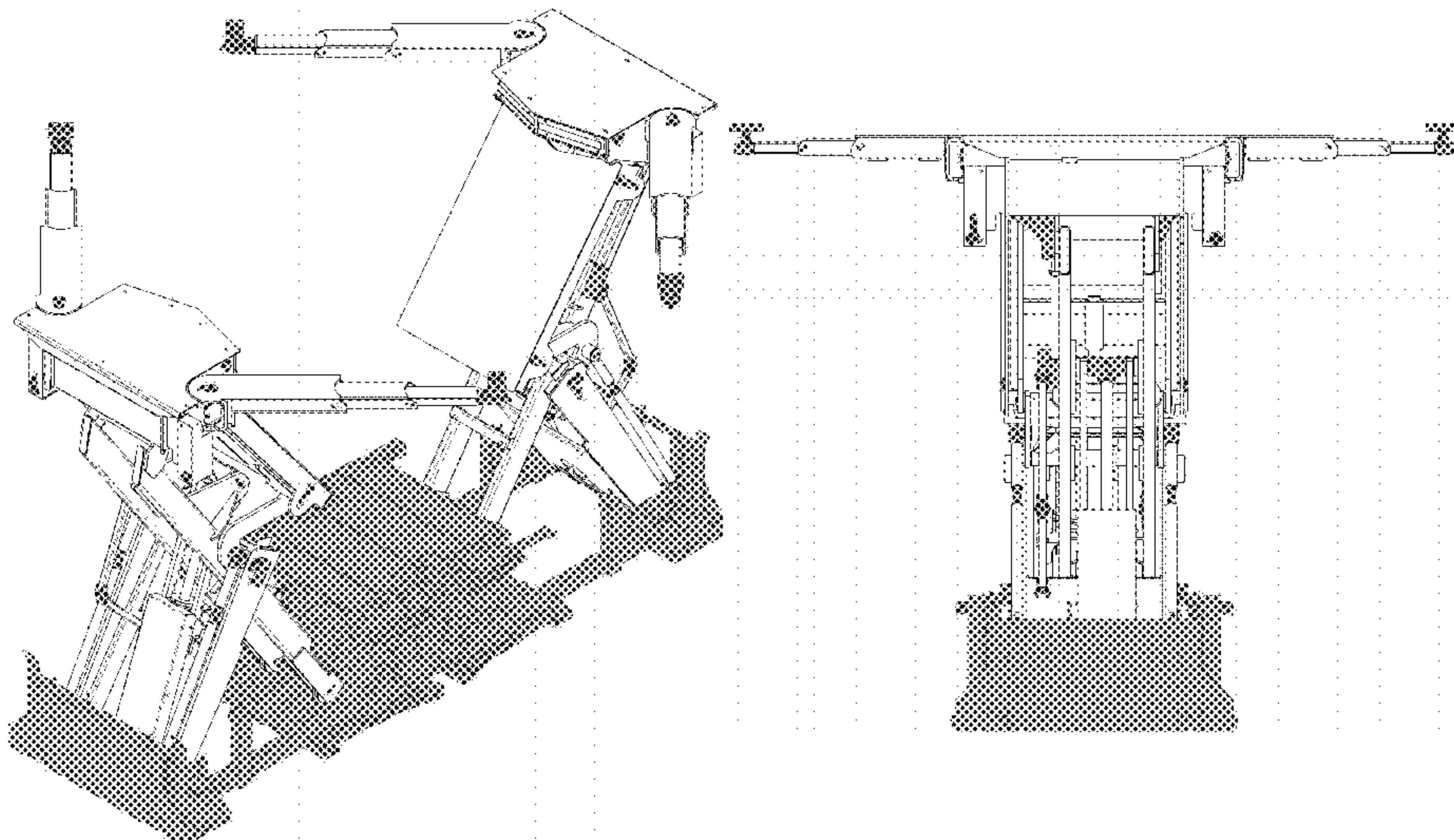
**DESCRIPTION**

The patent or application file contains at least one drawing executed in color. Copies of this patent or patent application publication with color drawing(s) will be provided by the Office upon request and payment of the necessary fee.

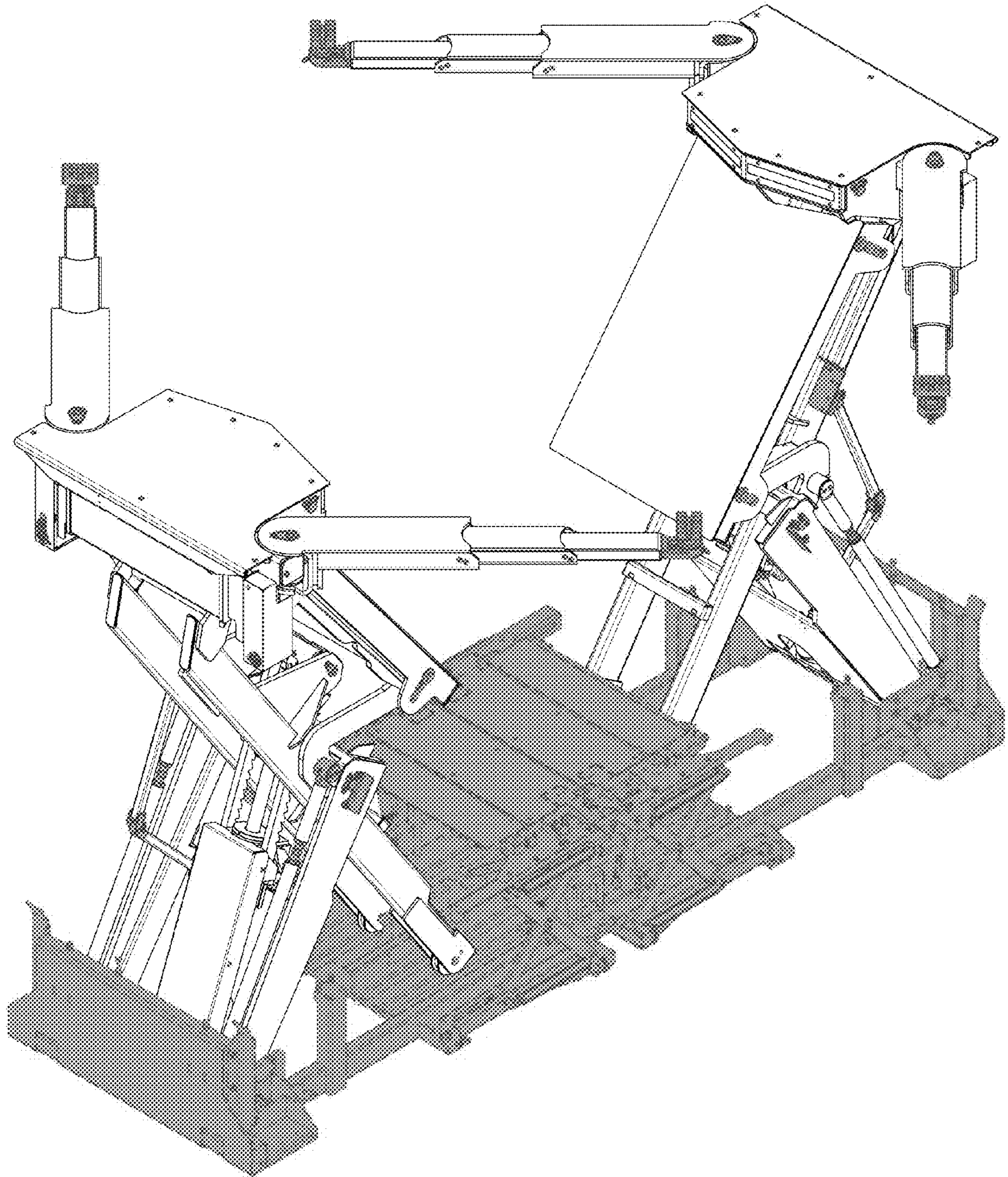
- 1. Lifting apparatus
- 1.1 : Perspective
- 1.2 : Front
- 1.3 : Back
- 1.4 : Right
- 1.5 : Left
- 1.6 : Top
- 1.7 : Bottom
- 1.8 : Perspective down state view
- 1.9 : Front down state view
- 1.10 : Back down state view
- 1.11 : Right down state view
- 1.12 : Left down state view
- 1.13 : Top down state view
- 1.14 : Bottom down state view

The portions of the lifting apparatus shown under the red overlay do not form part of the claimed design; reproduction No. 1.8 to 1.14 show the state where the lift is lowered and do not form part of the claimed design.

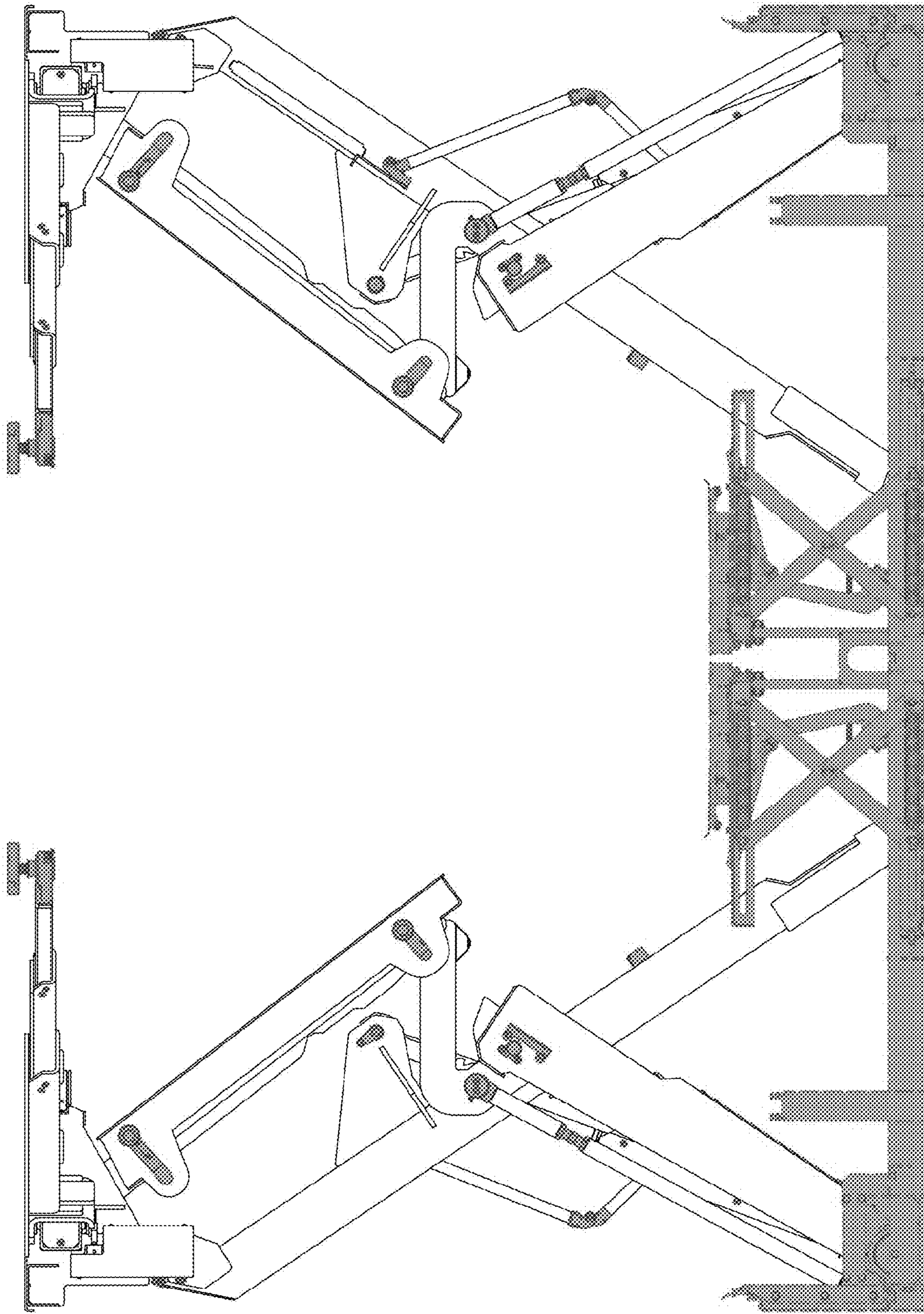
**1 Claim, 14 Drawing Sheets**  
**(14 of 14 Drawing Sheet(s) Filed in Color)**





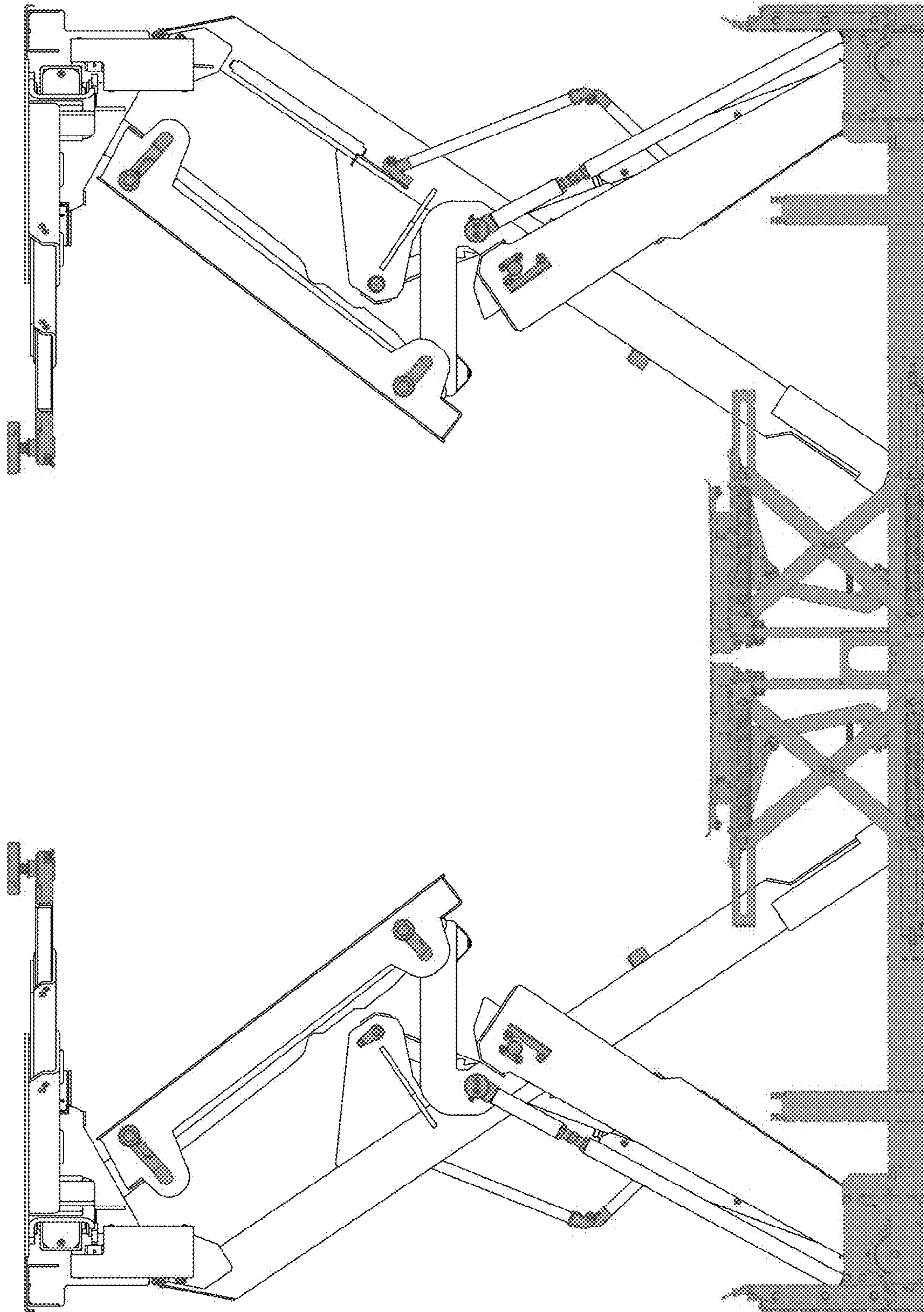




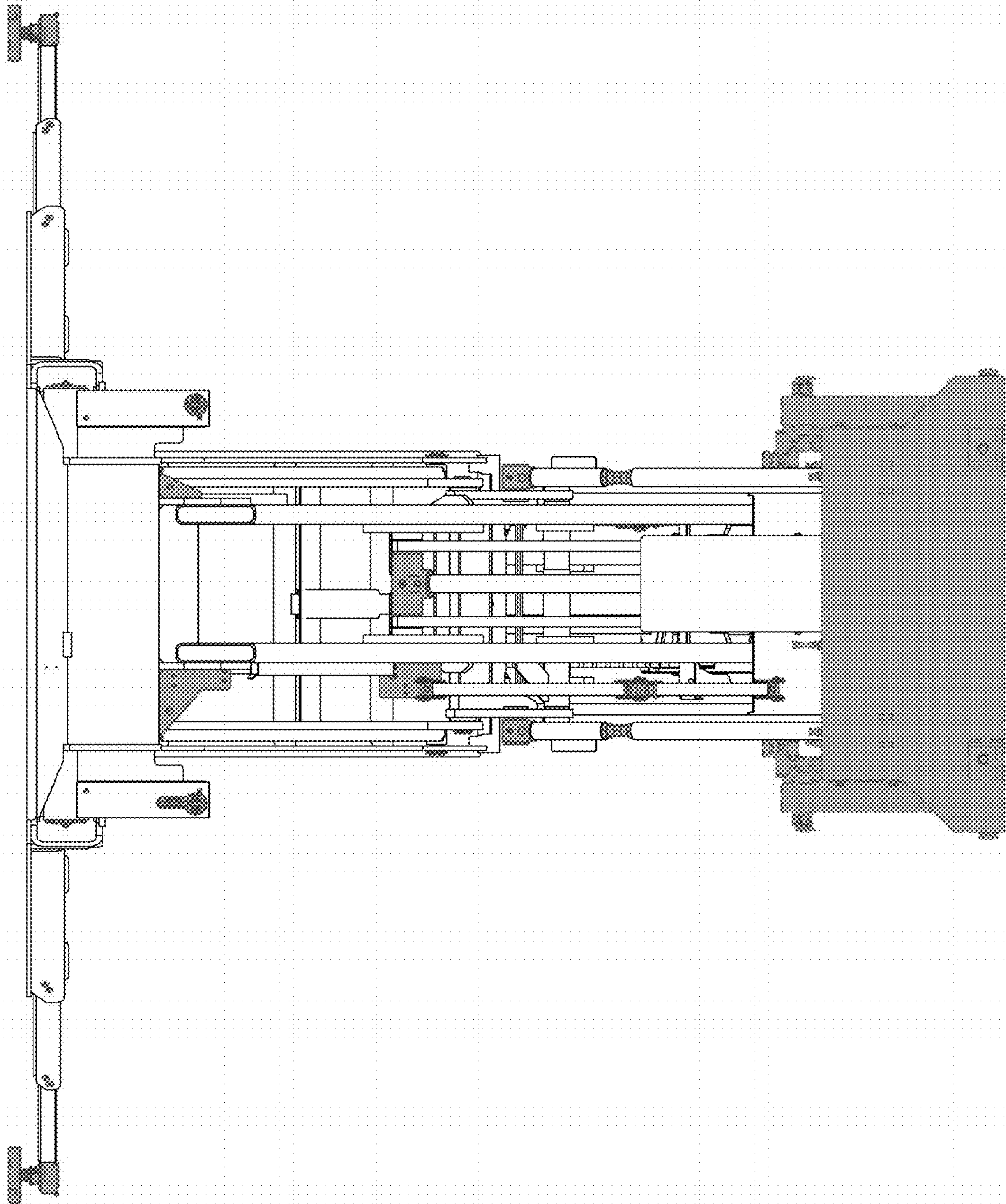


1.2



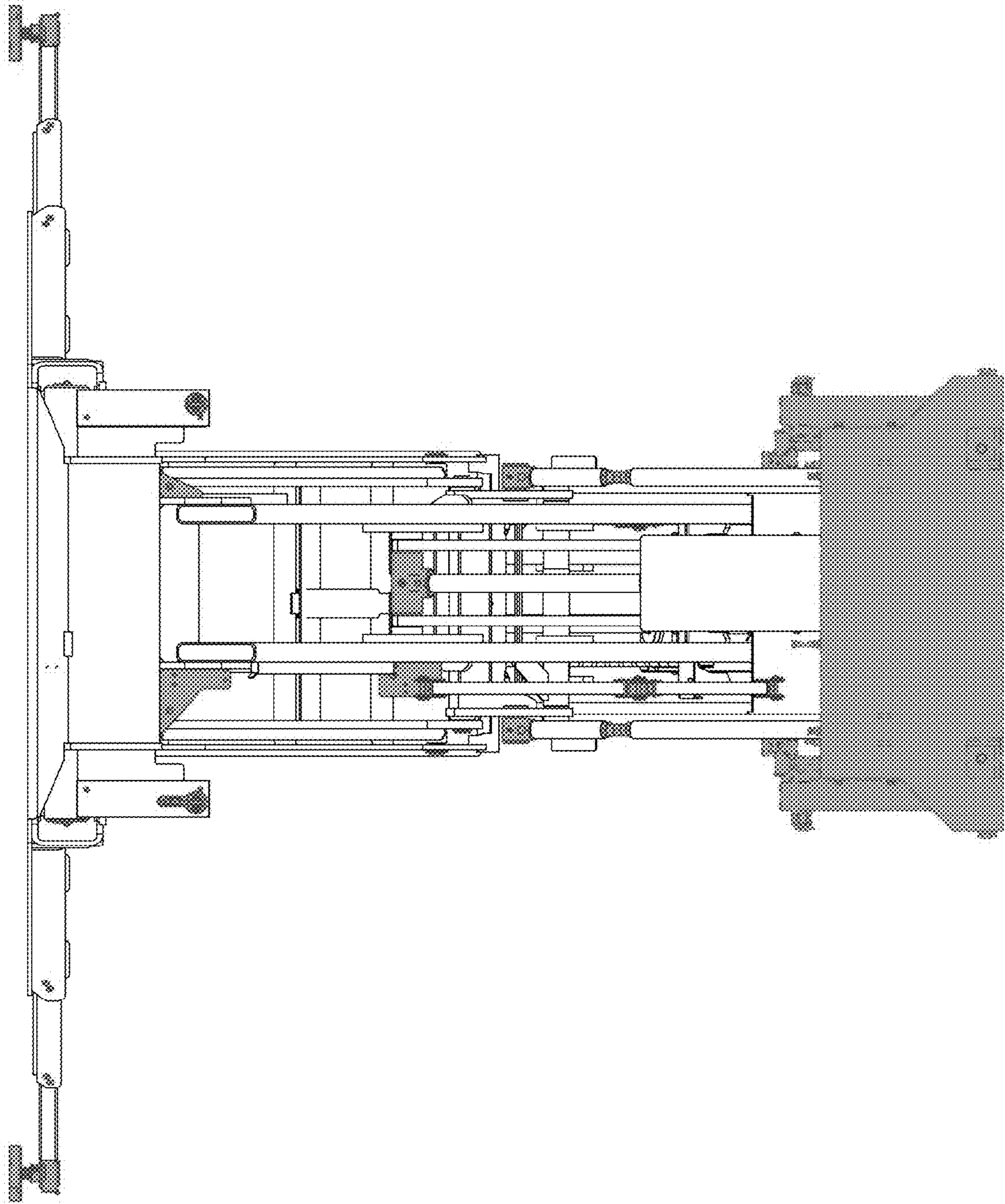


1.3

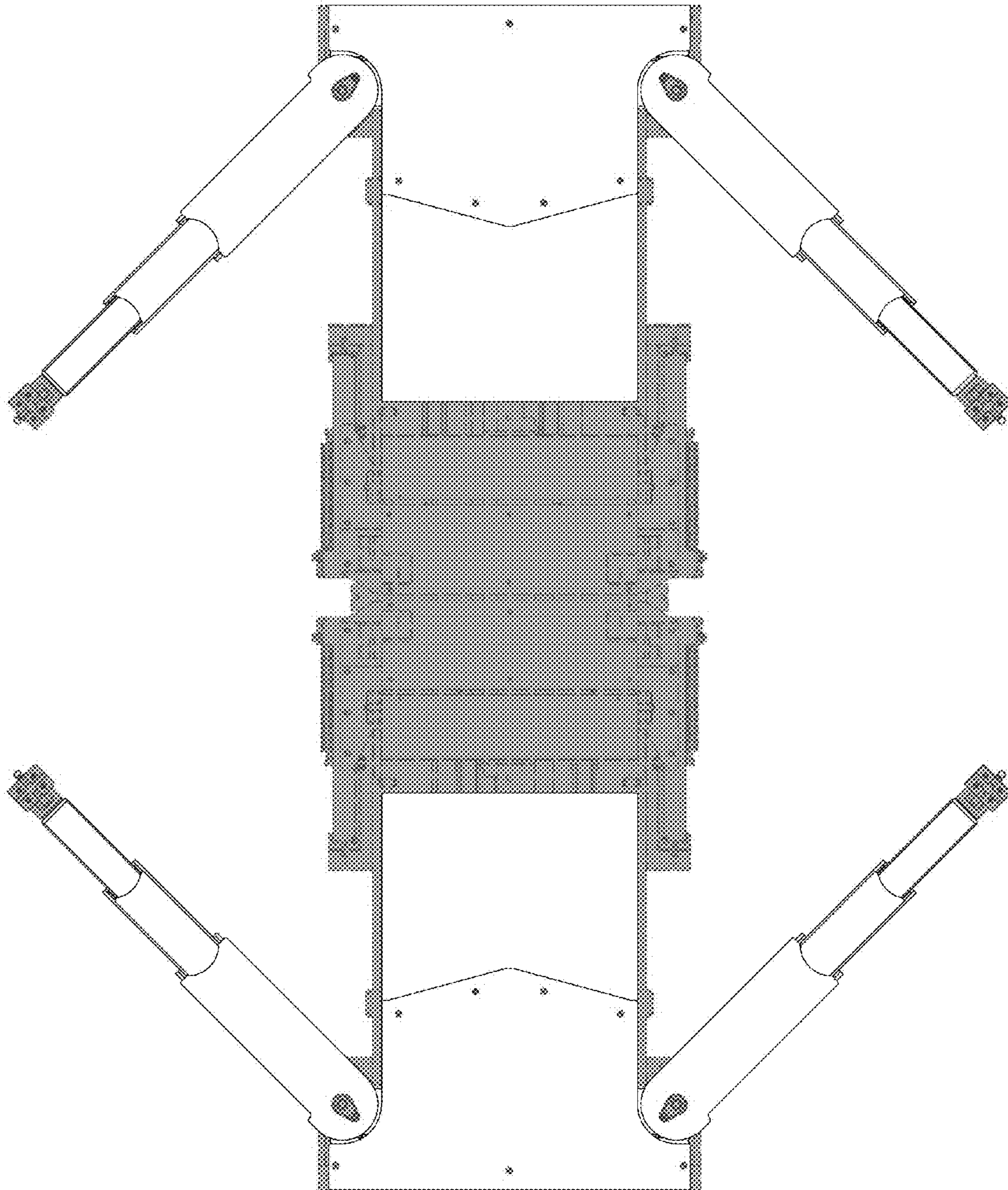


1.4



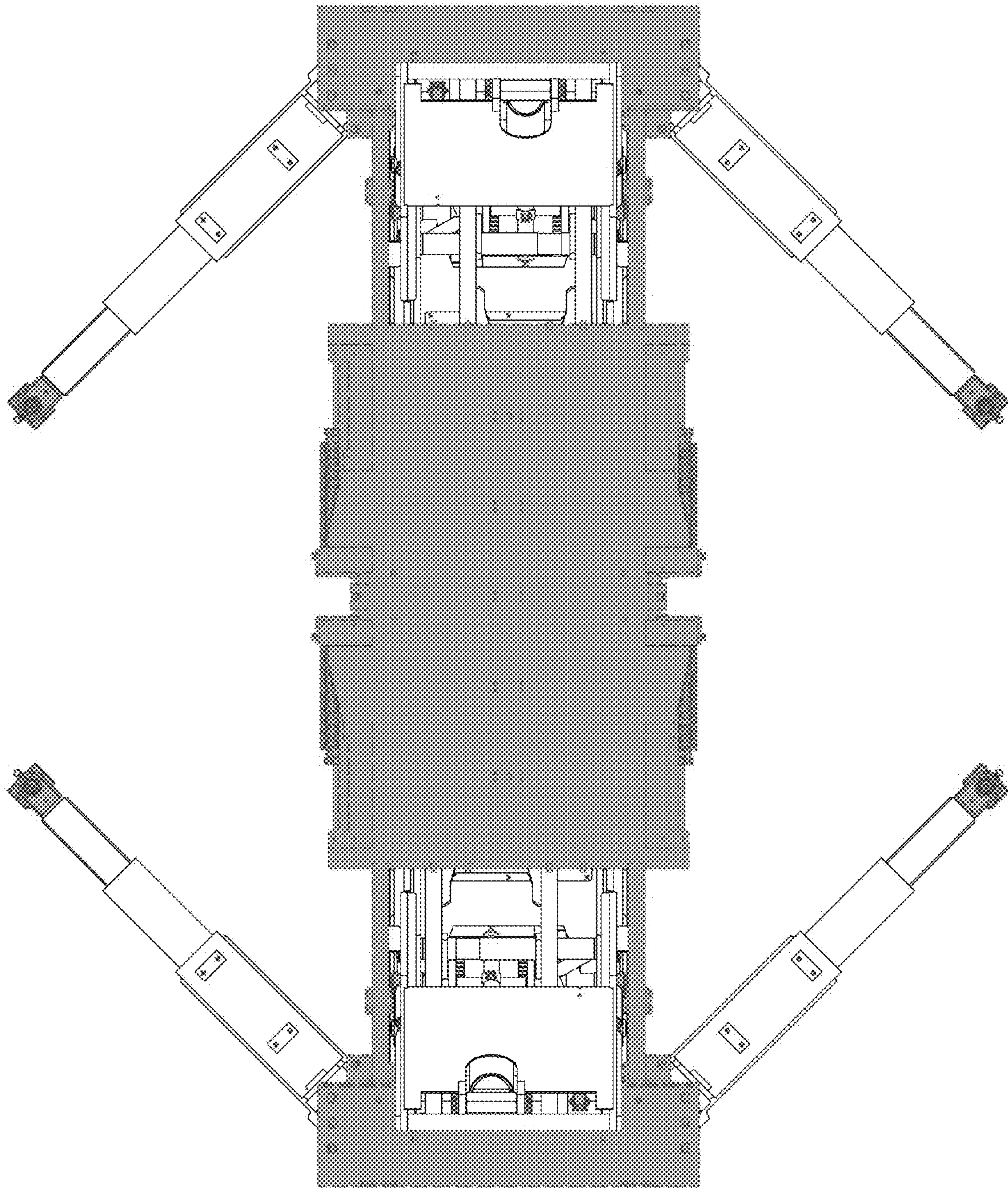


1.5



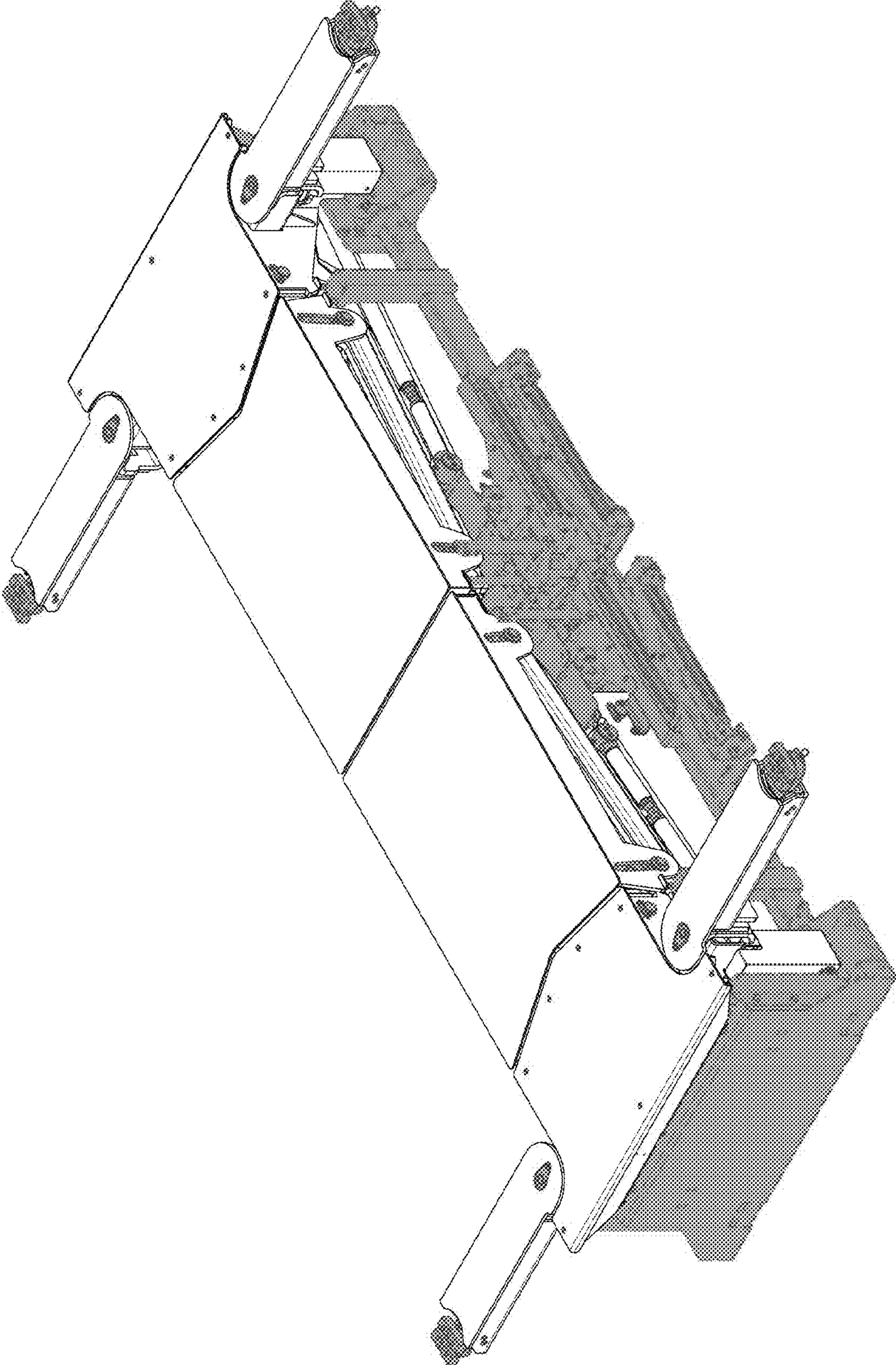
1.6



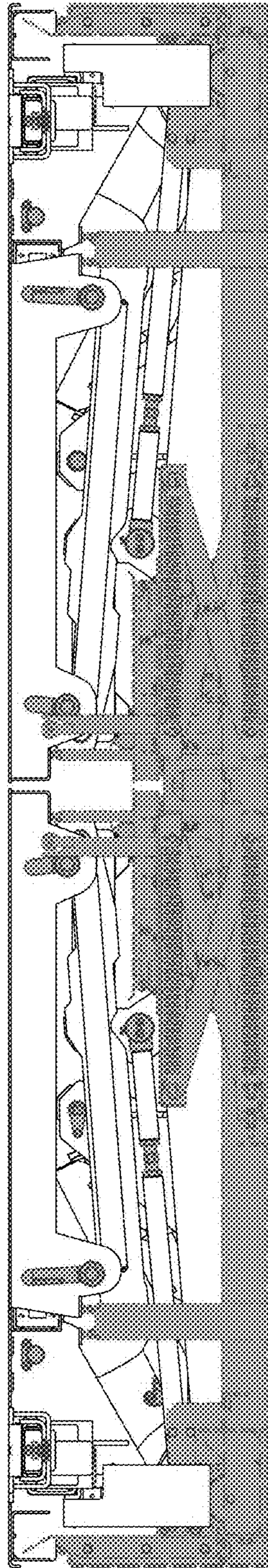


1.7



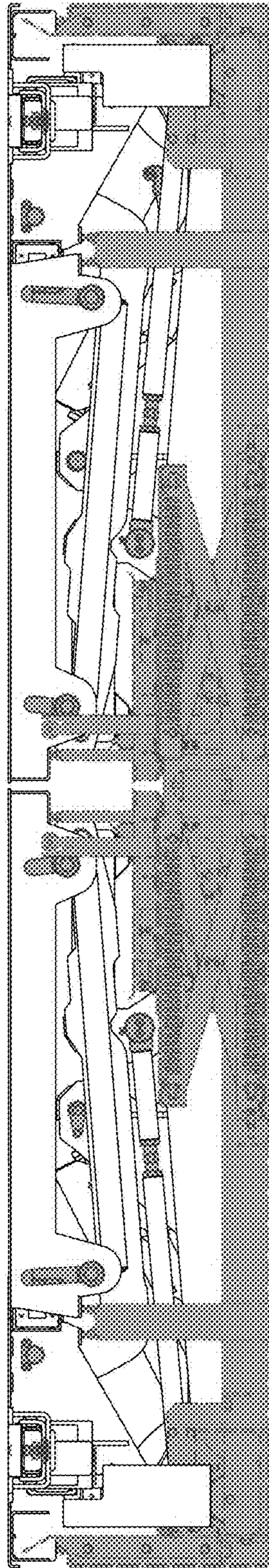


1.8

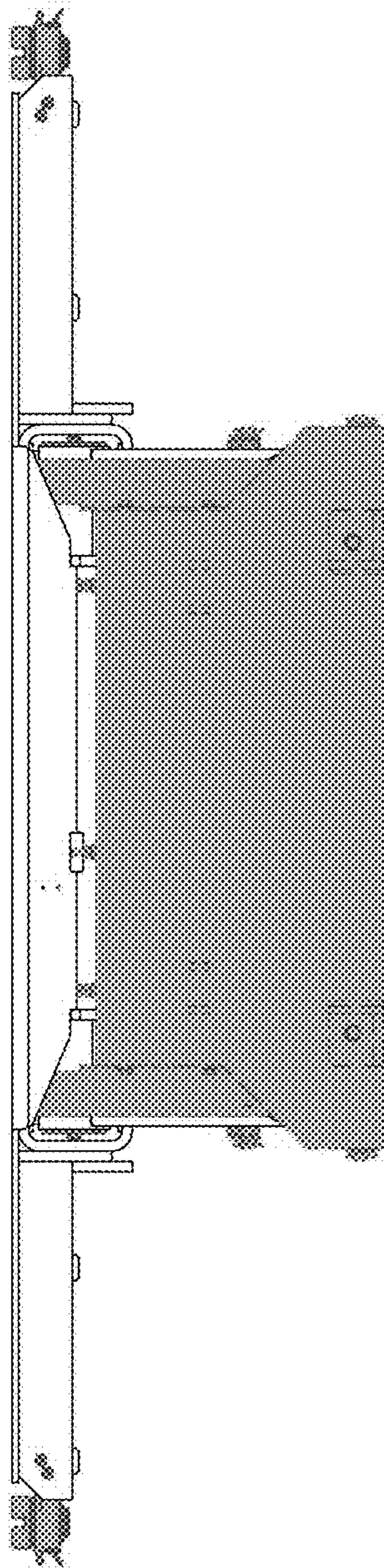


1.9



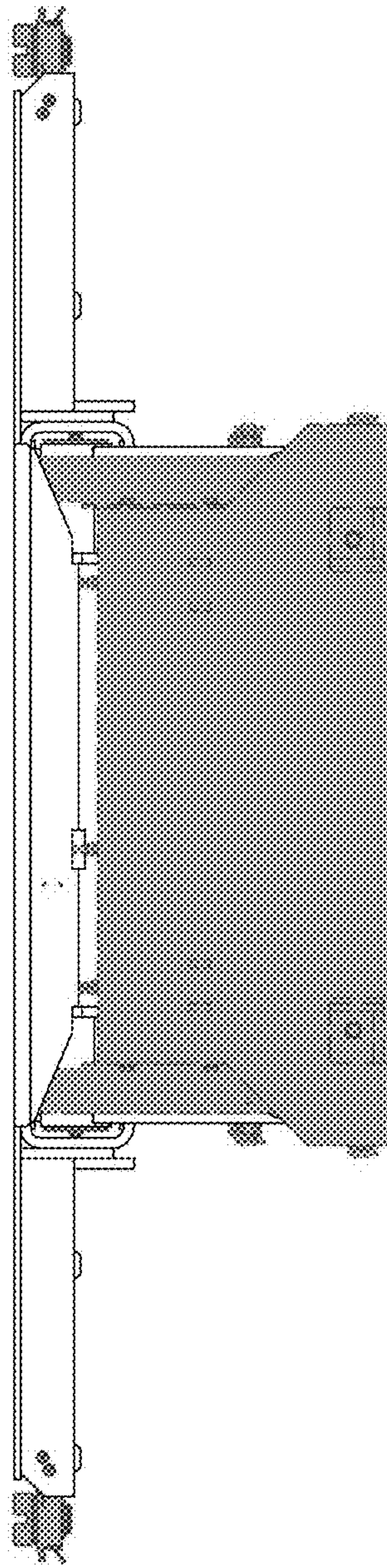


1.10

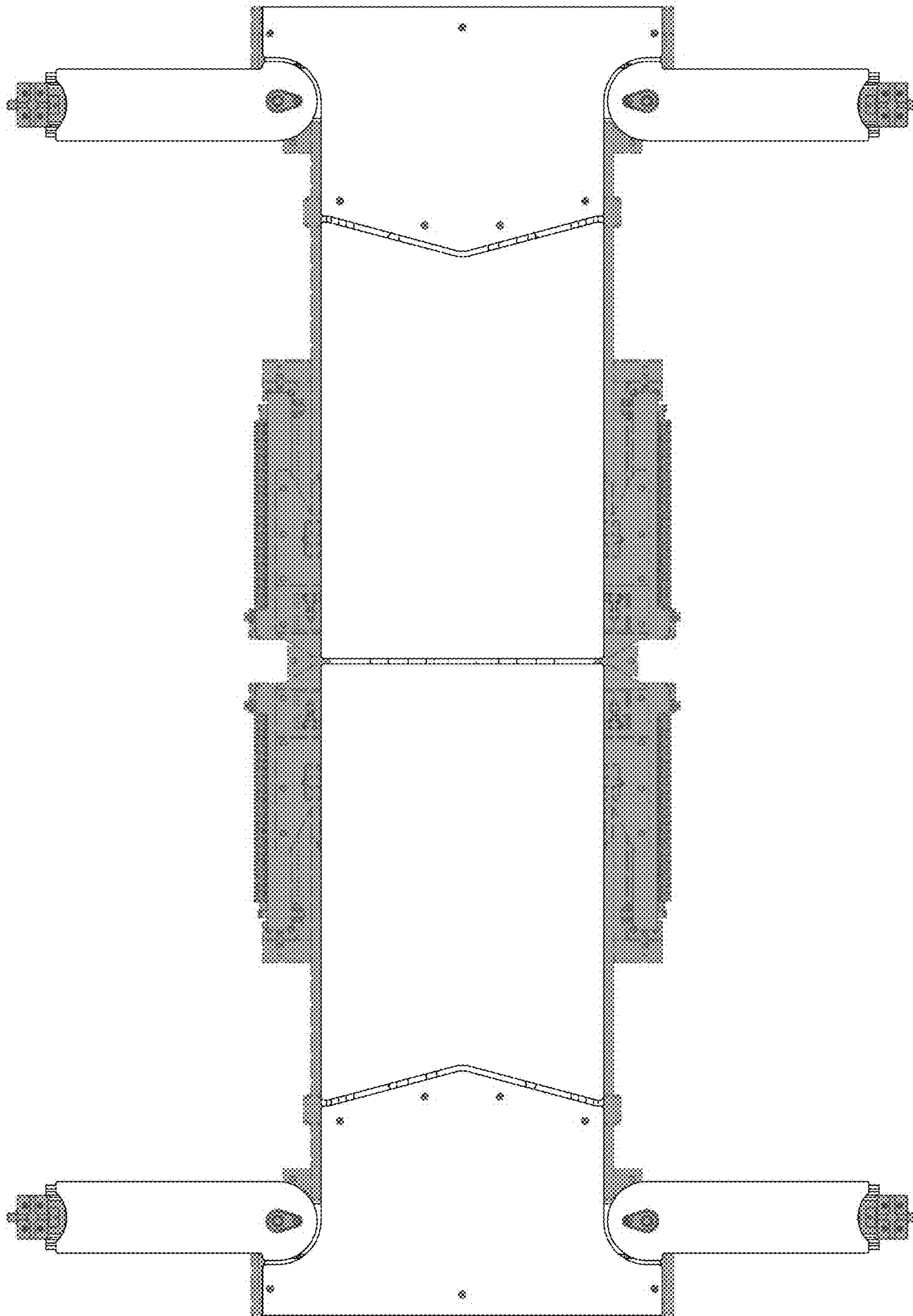


1.11



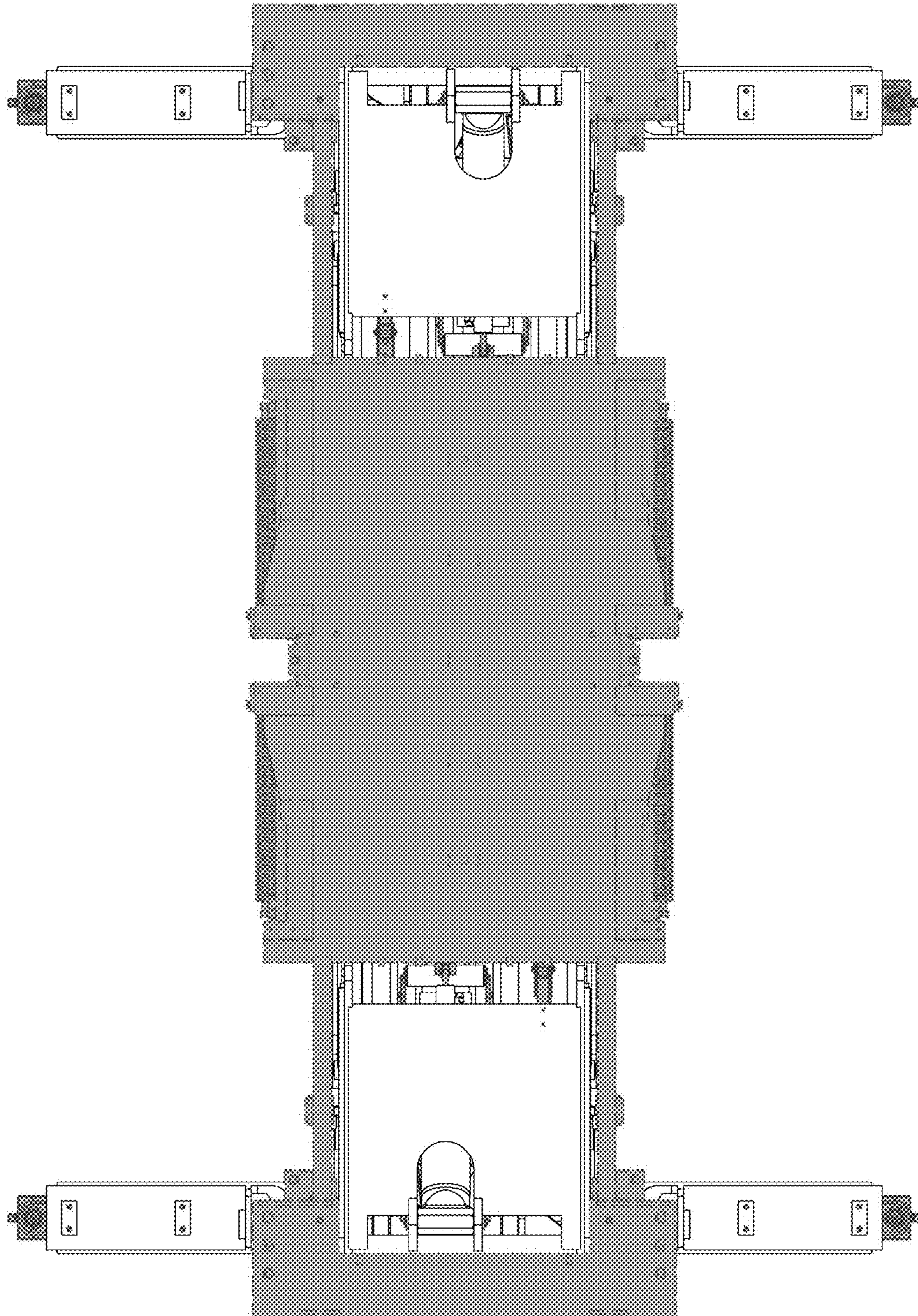


1.12



1.13





1.14