



US00D947480S

(12) **United States Design Patent**  
**Lane**

(10) **Patent No.:** **US D947,480 S**  
(45) **Date of Patent:** **\*\* Mar. 29, 2022**

(54) **CREEPER MECHANIC SEAT WITH WHEEL LIFT**

(74) *Attorney, Agent, or Firm* — Christensen O'Connor Johnson Kindness PLLC

(71) Applicant: **MVP (H.K.) INDUSTRIES LIMITED**, Hong Kong (CN)

(57) **CLAIM**

The ornamental design for the creeper mechanic seat with wheel lift, as shown and described.

(72) Inventor: **Josh Lane**, Kansas City, MO (US)

**DESCRIPTION**

(73) Assignee: **MVP (H.K.) INDUSTRIES LIMITED**, Hong Kong (CN)

(\*\*) Term: **15 Years**

(21) Appl. No.: **29/705,324**

(22) Filed: **Sep. 11, 2019**

(51) **LOC (13) Cl.** ..... **12-02**

(52) **U.S. Cl.**  
USPC ..... **D34/23**

(58) **Field of Classification Search**  
USPC ..... D34/12-27; D3/313, 309  
(Continued)

FIG. 1 is a first perspective view of a creeper mechanic seat with wheel lift showing a first embodiment of our new design in a first configuration;  
FIG. 2 is a second perspective view of the creeper mechanic seat with wheel lift shown in FIG. 1;  
FIG. 3 is a front view of the creeper mechanic seat with wheel lift shown in FIG. 1;  
FIG. 4 is a rear view of the creeper mechanic seat with wheel lift shown in FIG. 1;  
FIG. 5 is a top view of the creeper mechanic seat with wheel lift shown in FIG. 1;  
FIG. 6 is a bottom view of the creeper mechanic seat with wheel lift shown in FIG. 1;  
FIG. 7 is a left side view of the creeper mechanic seat with wheel lift shown in FIG. 1;  
FIG. 8 is a right side view of the creeper mechanic seat with wheel lift shown in FIG. 1;  
FIG. 9 is a third perspective view of the creeper mechanic seat with wheel lift shown in FIG. 1 in a second configuration;  
FIG. 10 is a first perspective view of a creeper mechanic seat with wheel lift showing a second embodiment of our new design in a first configuration;  
FIG. 11 is a second perspective view of the creeper mechanic seat with wheel lift shown in FIG. 10;  
FIG. 12 is a front view of the creeper mechanic seat with wheel lift shown in FIG. 10;  
FIG. 13 is a rear view of the creeper mechanic seat with wheel lift shown in FIG. 10;  
FIG. 14 is a top view of the creeper mechanic seat with wheel lift shown in FIG. 10;  
FIG. 15 is a bottom view of the creeper mechanic seat with wheel lift shown in FIG. 10;  
FIG. 16 is a left side view of the creeper mechanic seat with wheel lift shown in FIG. 10;

(Continued)

(56) **References Cited**

U.S. PATENT DOCUMENTS

2,470,054 A 5/1949 Schildmeier  
3,836,027 A 9/1974 Gardner  
(Continued)

FOREIGN PATENT DOCUMENTS

CN 205367572 U 7/2016

OTHER PUBLICATIONS

Advance 2-in-1 creeper, announced 2015 [online], [site visited Jun. 10, 2021]. Available from internet, URL: <https://shop.advanceautoparts.com/p/mvp-america-pro-lift-2-in-1-z-creeper-c-2036/10102646-p> (Year: 2015).\*

(Continued)

*Primary Examiner* — Cynthia Ramirez

*Assistant Examiner* — Tamara L Hahn

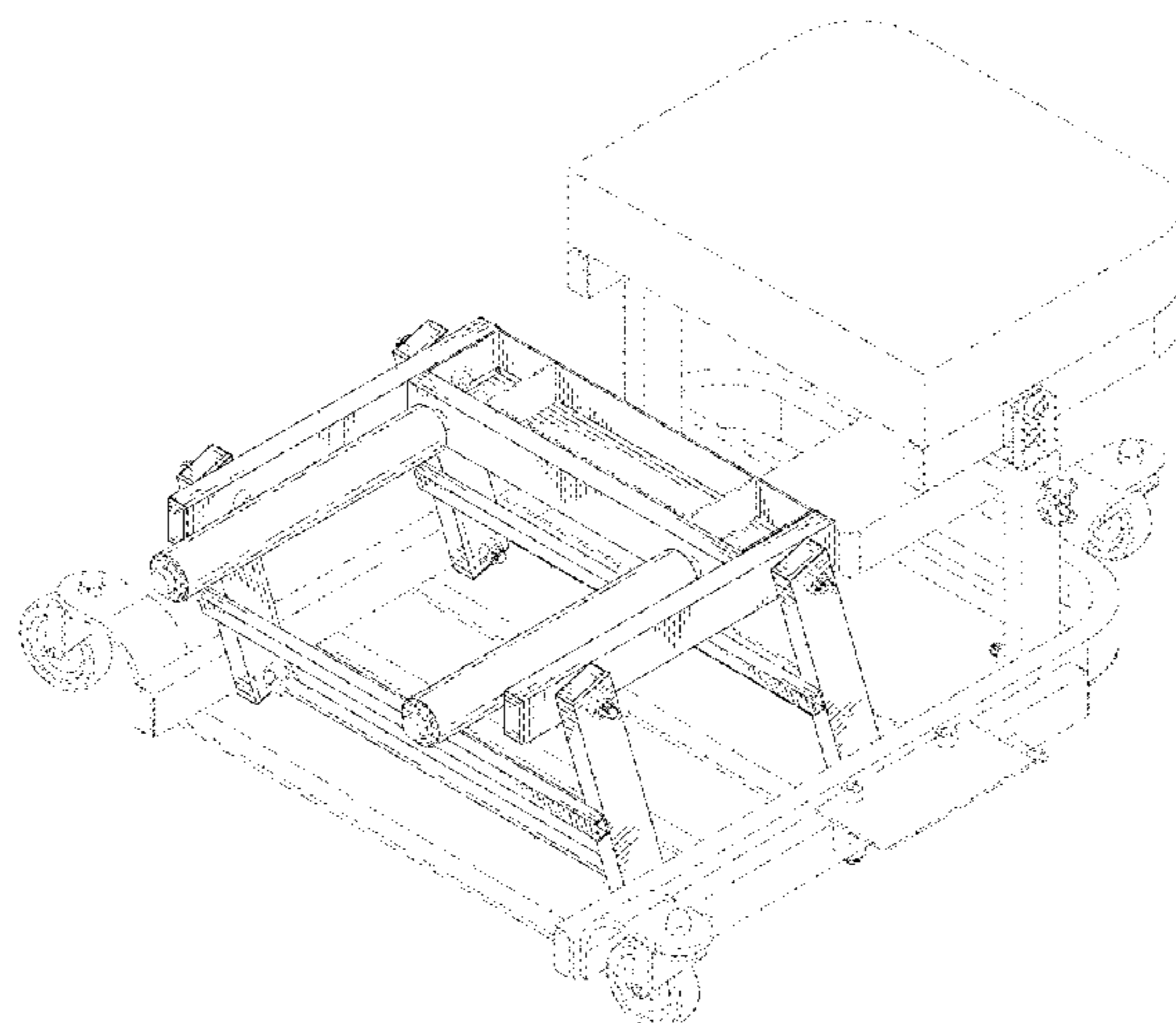


FIG. 17 is a right side view of the creeper mechanic seat with wheel lift shown in FIG. 10; and,

FIG. 18 is a third perspective view of the creeper mechanic seat with wheel lift shown in FIG. 10 in a second configuration.

The broken lines shown in the figures represent portions of the creeper mechanic seat with wheel lift that form no part of the claimed design.

**1 Claim, 16 Drawing Sheets**

(58) **Field of Classification Search**

CPC . B25H 3/023; B25H 3/00; B25H 3/06; B25H 5/00; A47C 3/36

See application file for complete search history.

(56) **References Cited**

U.S. PATENT DOCUMENTS

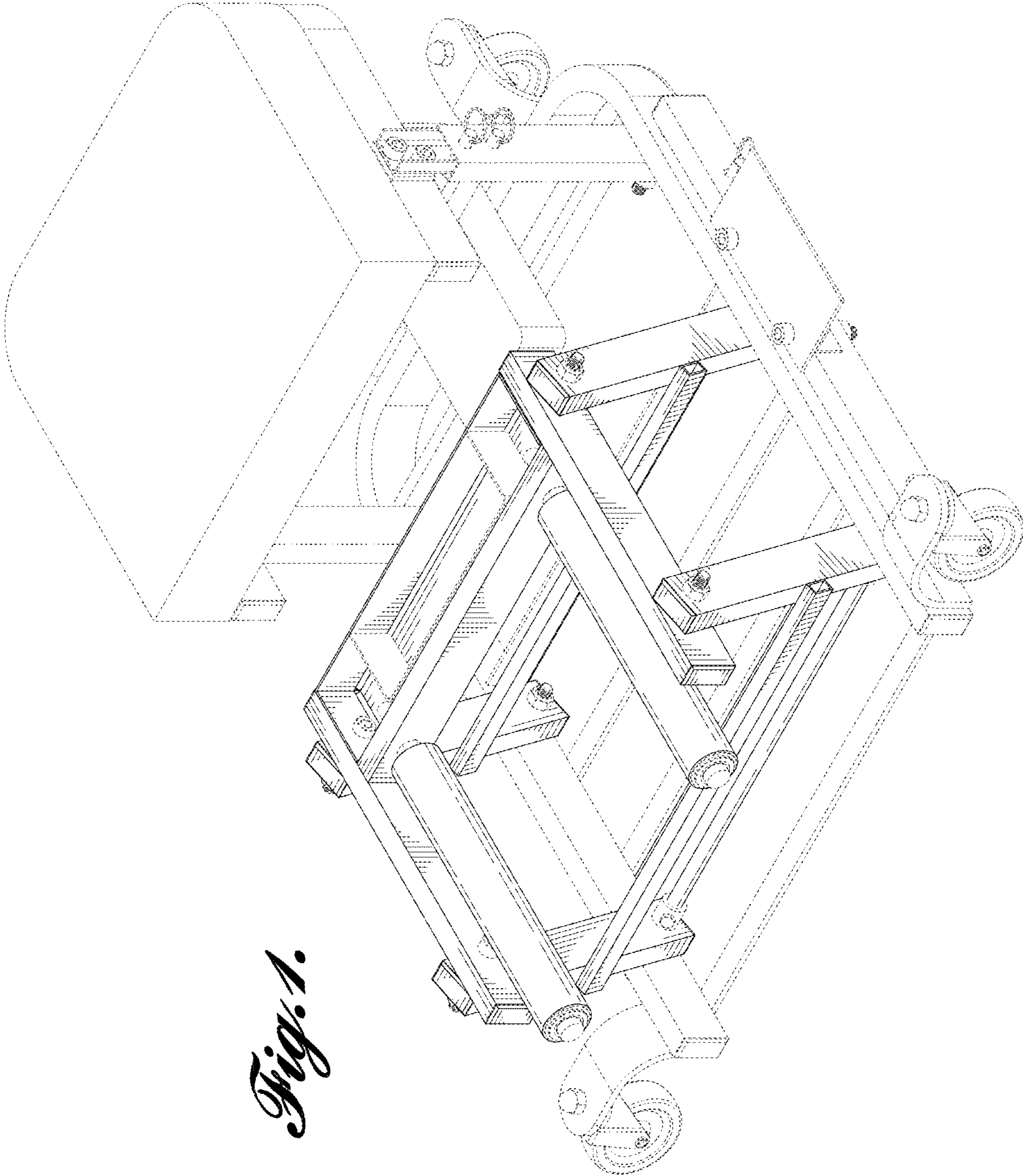
4,460,306	A	7/1984	Hawkins	
D304,112	S *	10/1989	Bettess	D34/21
5,330,211	A	7/1994	Nicholson	
5,503,415	A	4/1996	Powell	
D431,705	S *	10/2000	Yuan	D34/23
6,641,146	B2	11/2003	Reese	

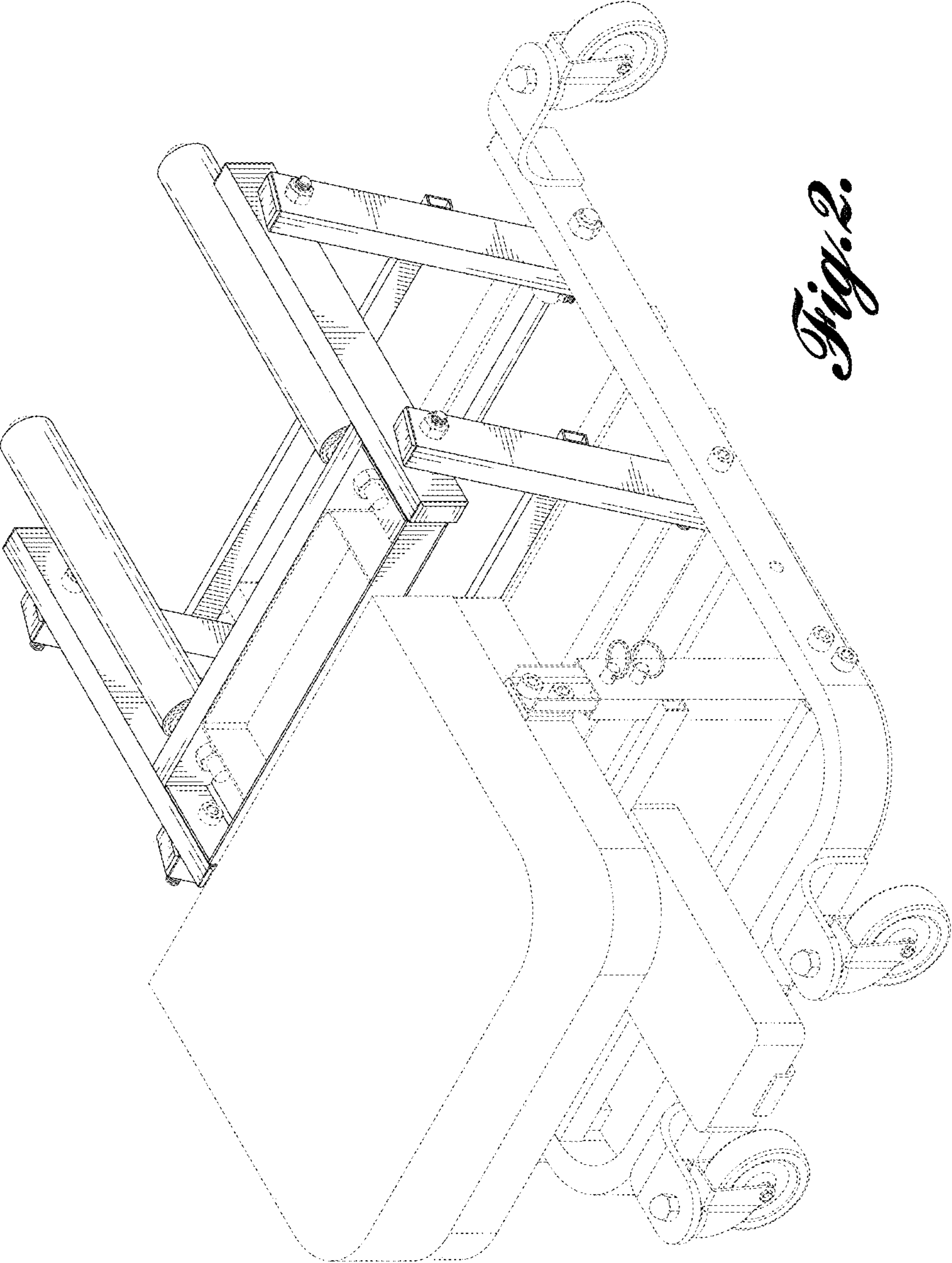
6,834,868	B1 *	12/2004	Blackburn	B25H 5/00 280/32.6
6,957,718	B1	10/2005	Whiteside et al.	
D532,177	S *	11/2006	Hernandez	D34/23
D553,823	S *	10/2007	Liu	D34/23
7,597,524	B2	10/2009	Hernandez	
D608,072	S *	1/2010	Hernandez	D34/23
D641,125	S *	7/2011	McConnell	D34/23
10,492,611	B2 *	12/2019	Huang	A47C 3/36
10,661,431	B1 *	5/2020	Hightower	B25H 5/00
D903,220	S *	11/2020	Hendrickson	D34/23
D920,620	S *	5/2021	Coccaro	D34/23
2003/0012630	A1	1/2003	Brabson, Jr.	
2003/0091416	A1 *	5/2003	Tortellier	B60B 29/002 414/426
2004/0066020	A1 *	4/2004	Hernandez, Jr.	B25H 5/00 280/639
2005/0204967	A1	9/2005	Wrinkle	
2007/0241523	A1	10/2007	Lewman	
2016/0167428	A9	6/2016	Ang et al.	
2018/0222037	A1 *	8/2018	Hendrickson	B25H 5/00

OTHER PUBLICATIONS

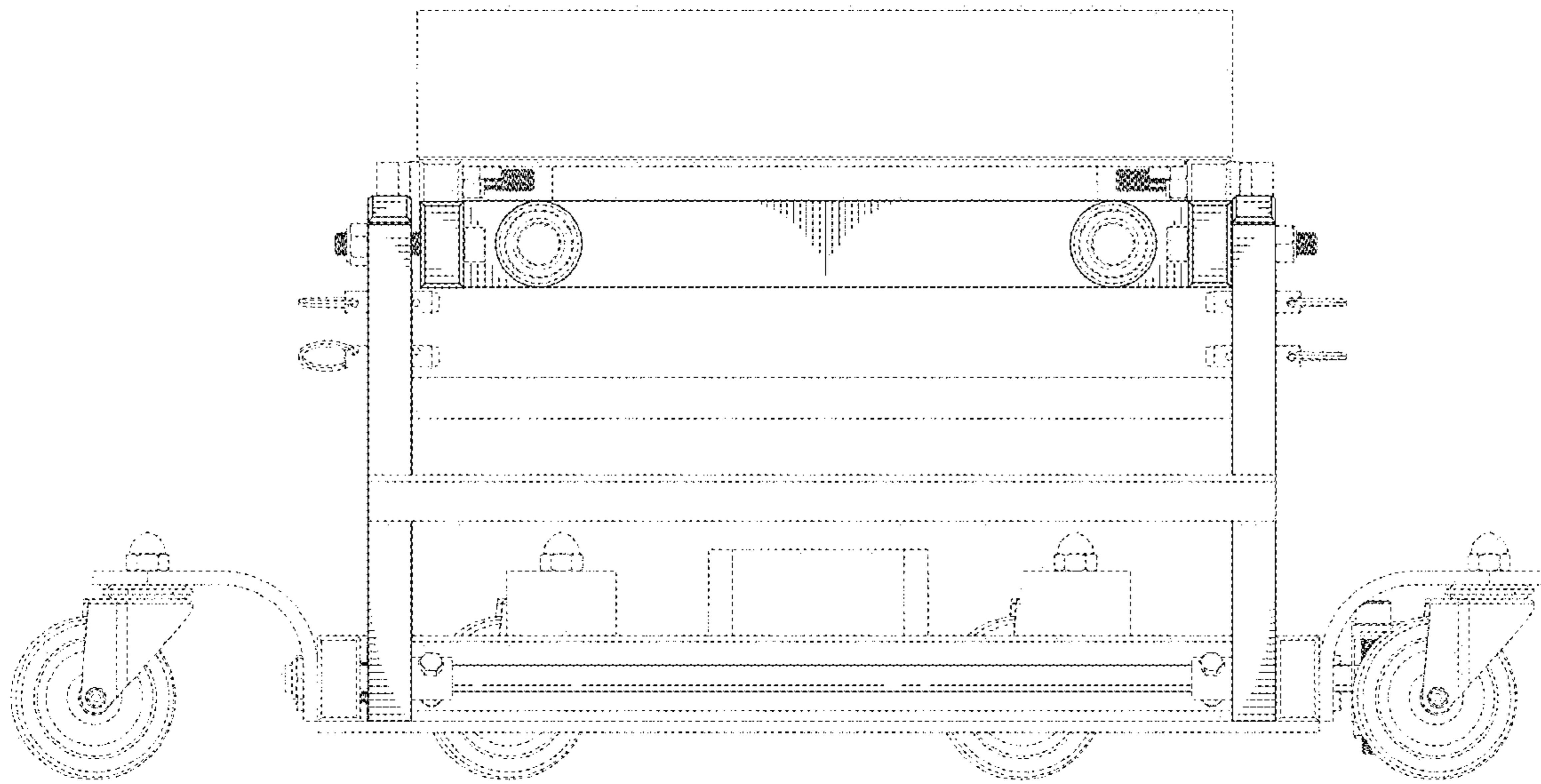
Indian creeper, announced 2019 [online], [site visited Jun. 10, 2021]. Available from internet, URL: <https://www.indianmotorcycle.com/en-us/shop/maintenance/garage-vehicle-care/2830456/> (Year: 2019).\*

\* cited by examiner

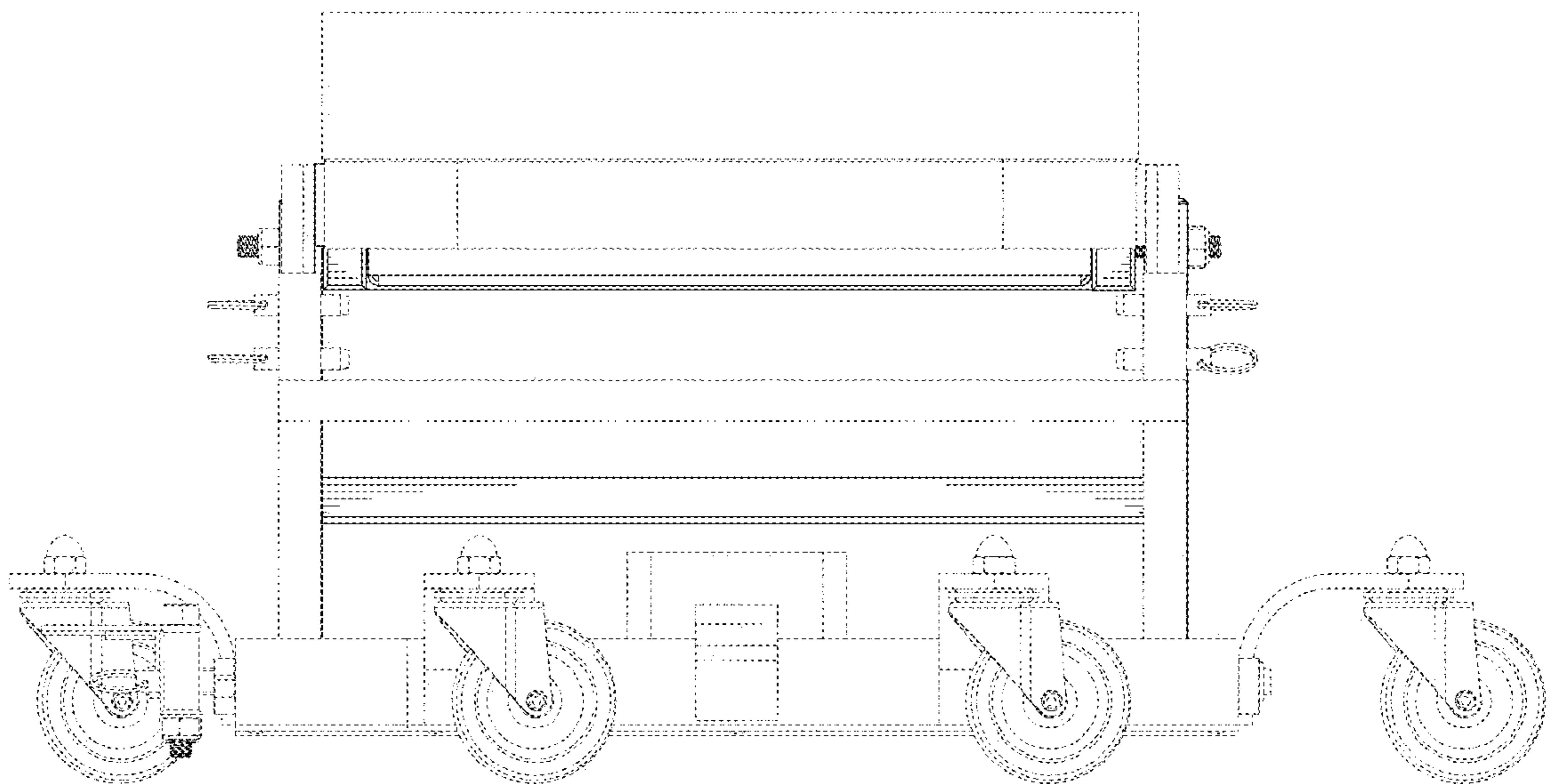




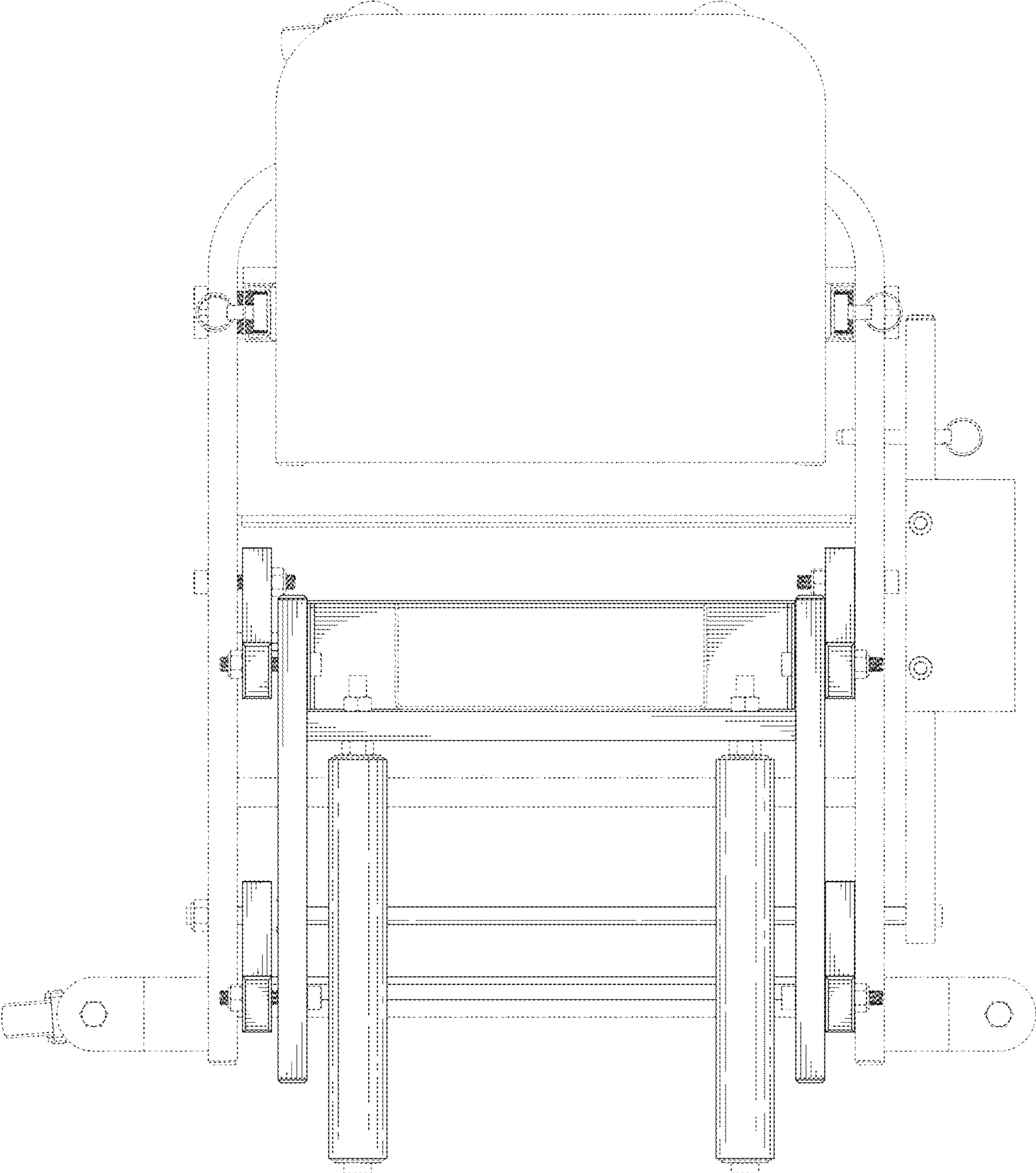
*Fig. 2.*



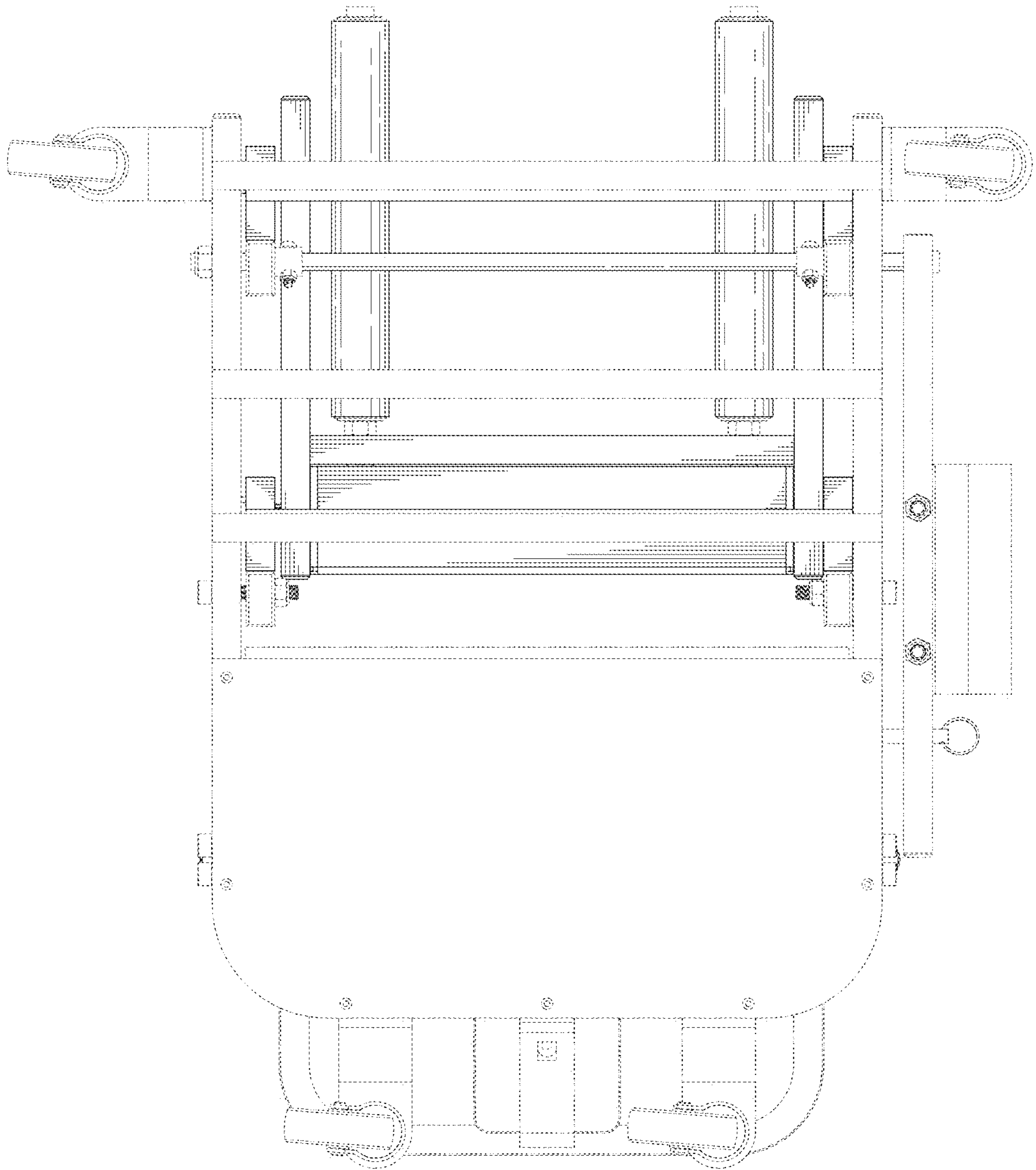
*Fig. 3.*



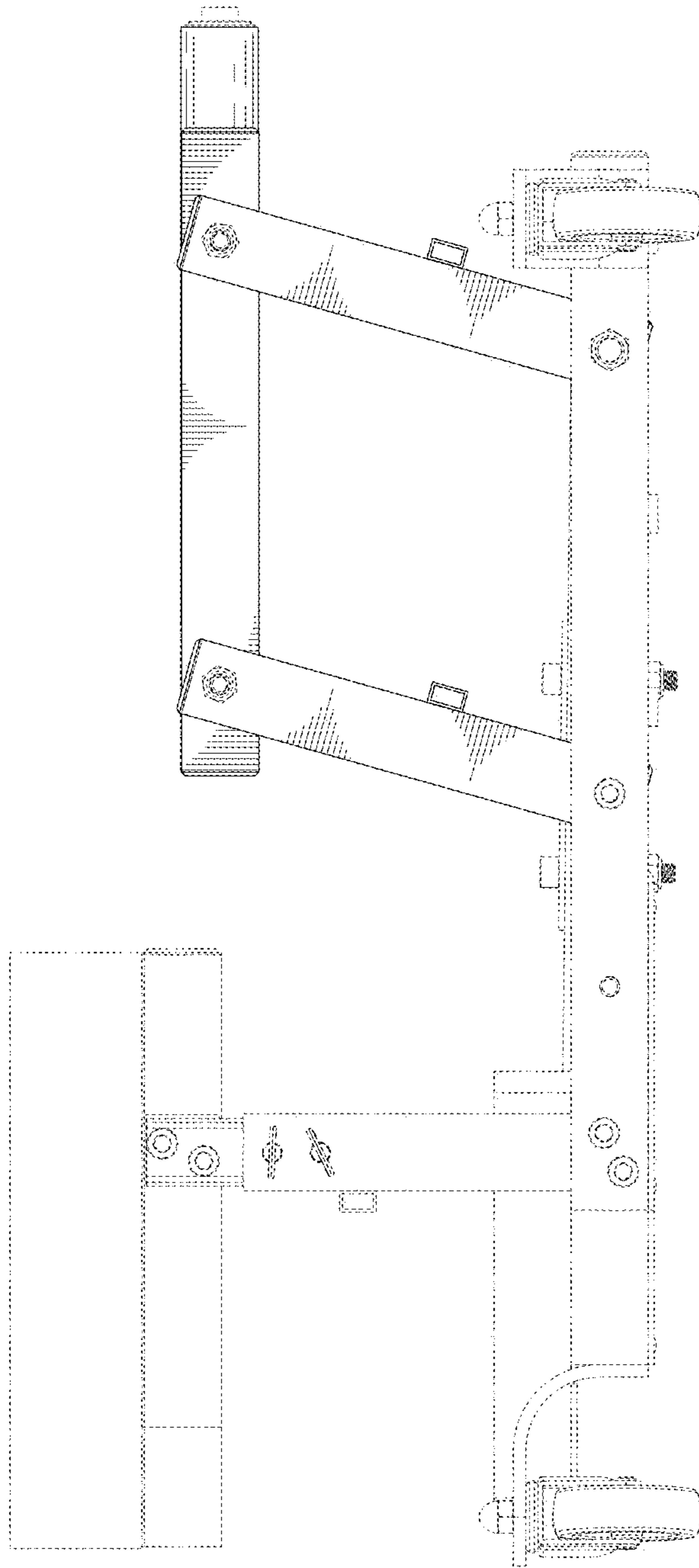
*Fig. 4.*



*Fig. 5.*

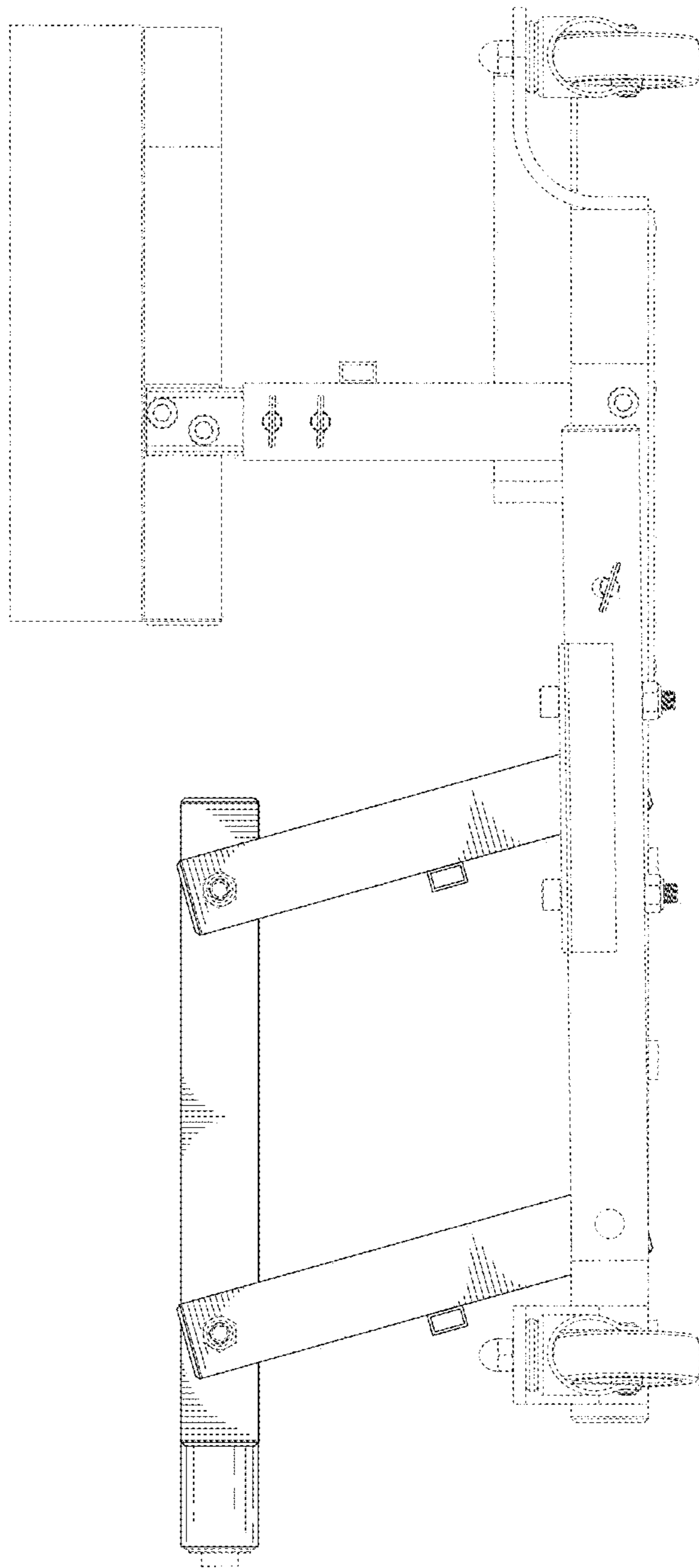


*Fig. 6.*

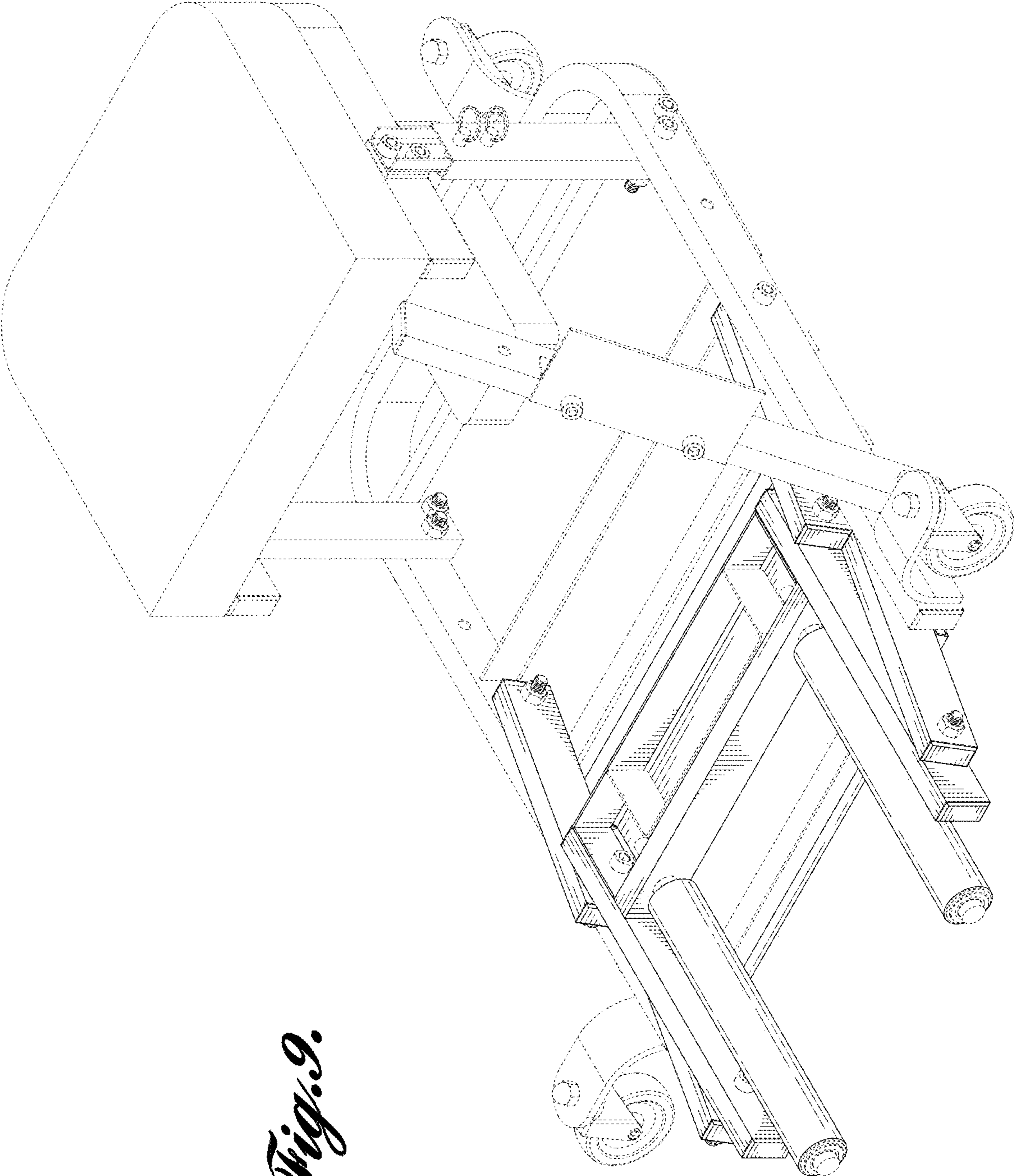


*Fig. 7.*

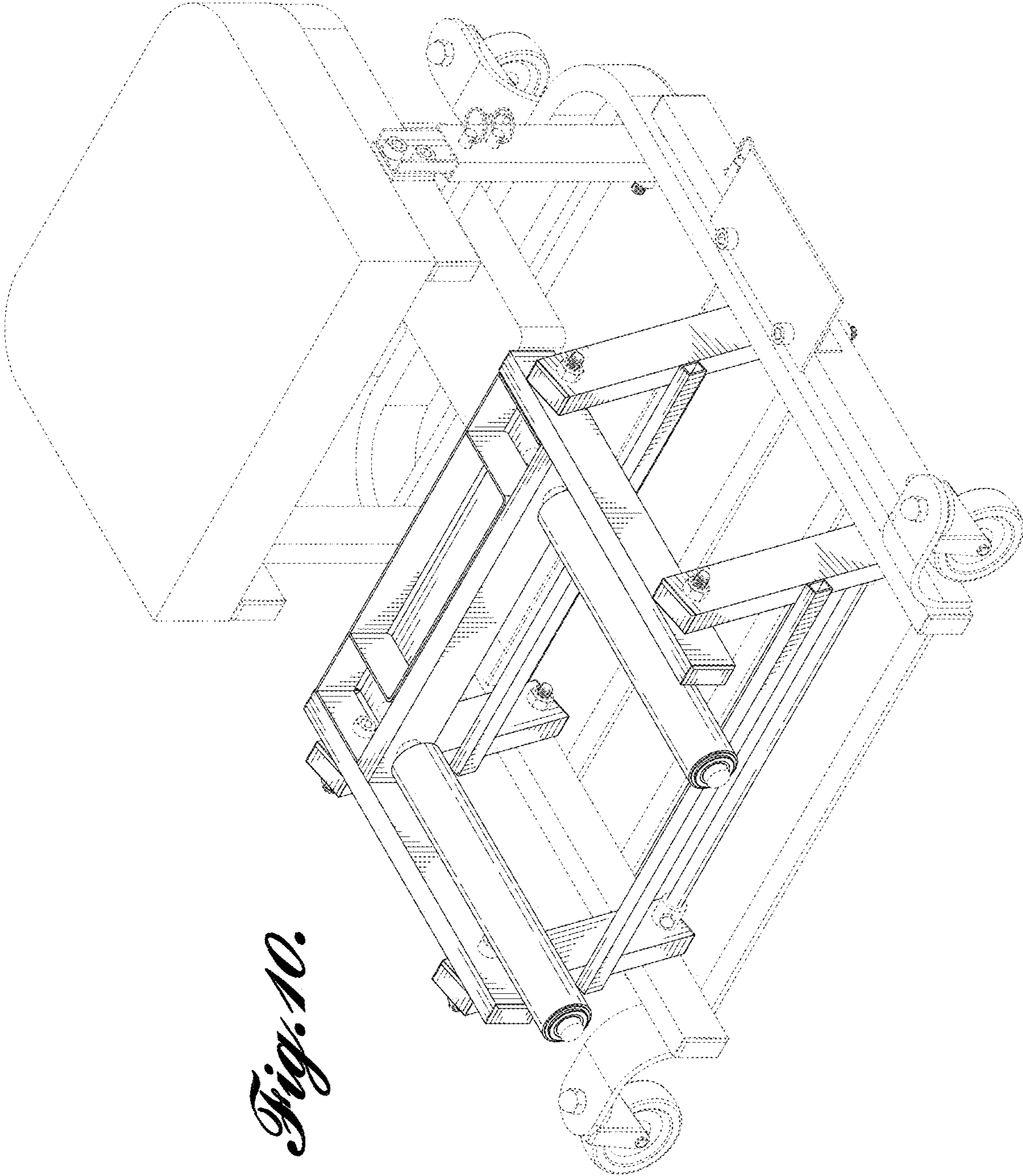




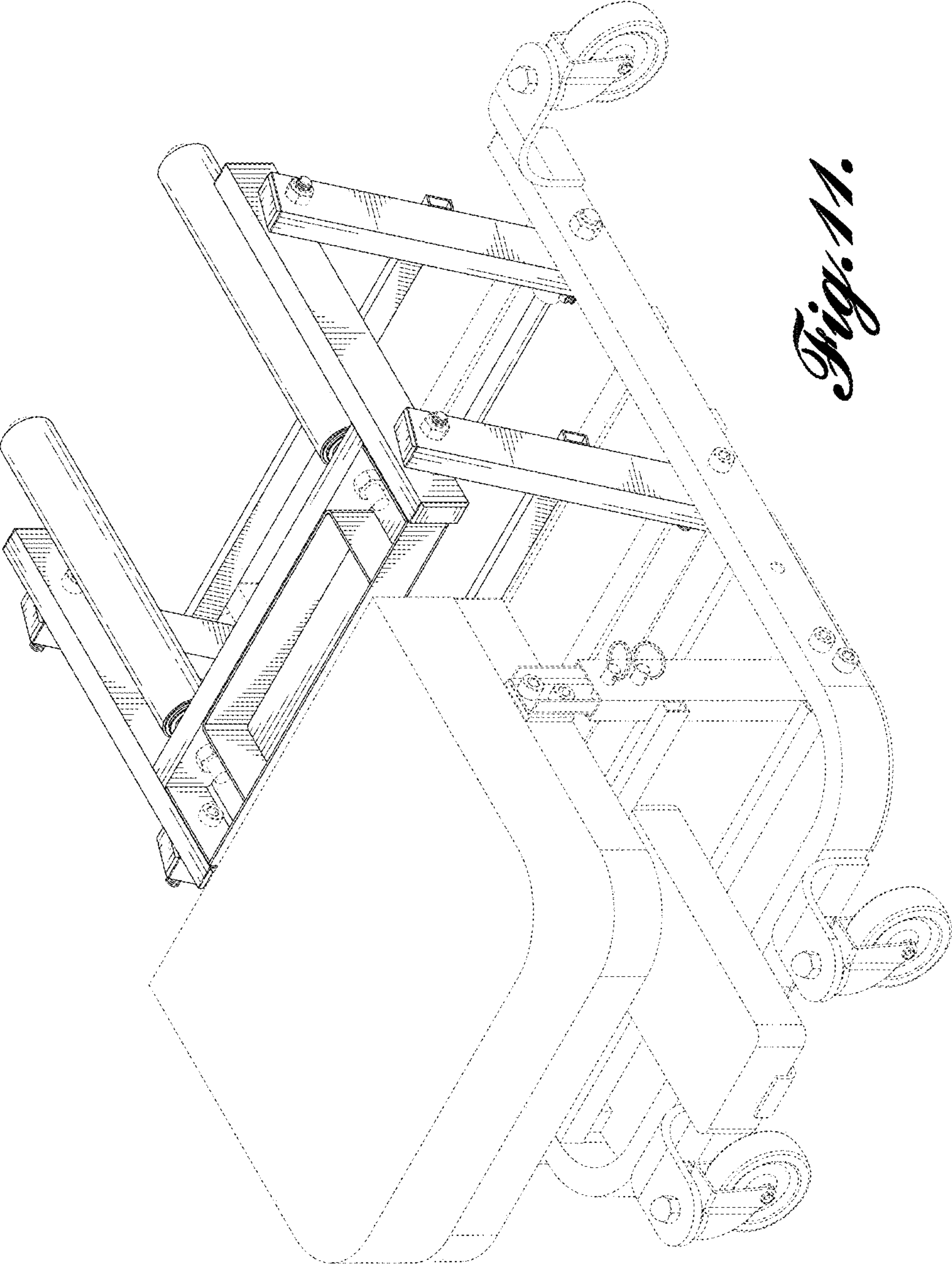
*Fig. 8.*



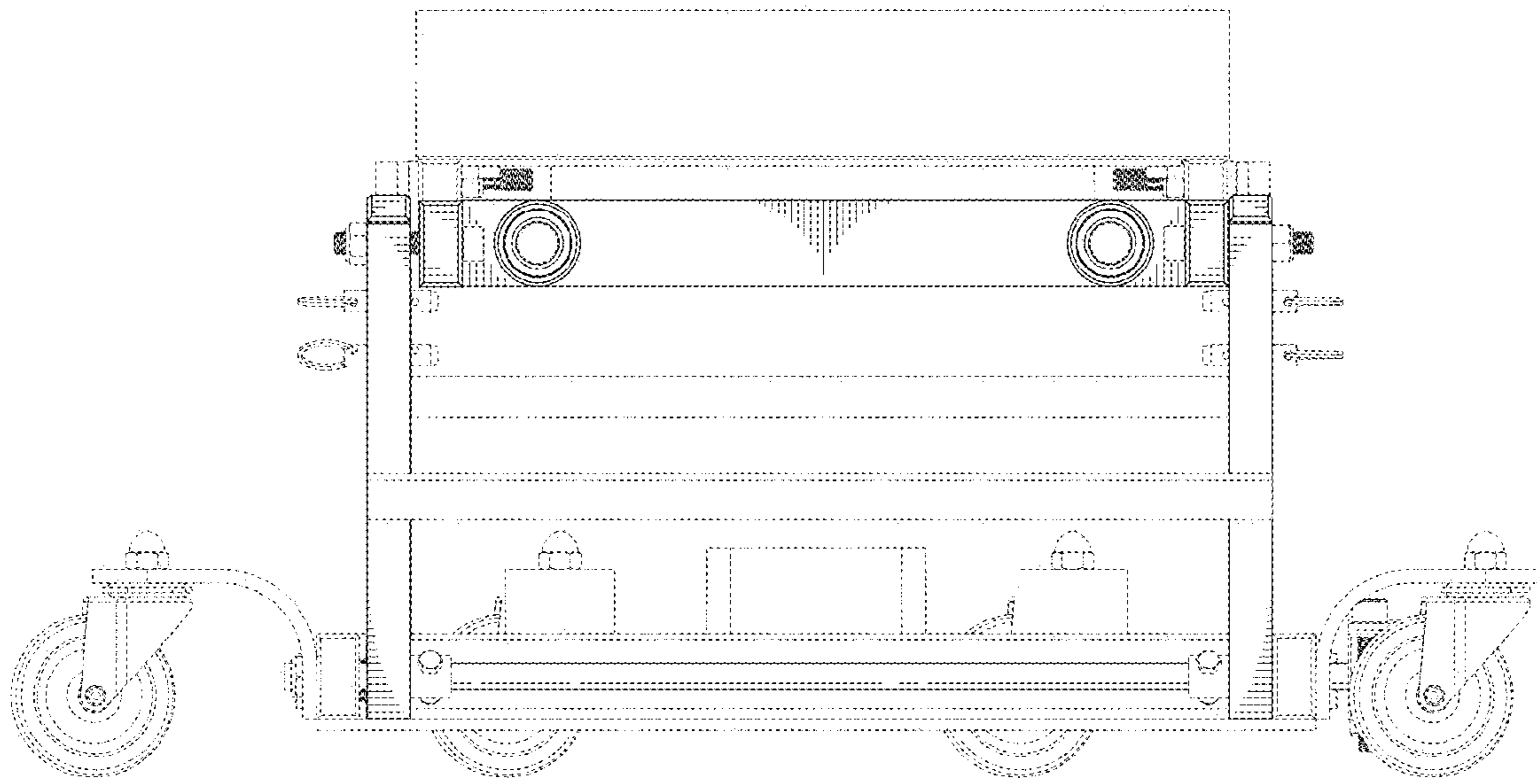
*Fig. 9.*



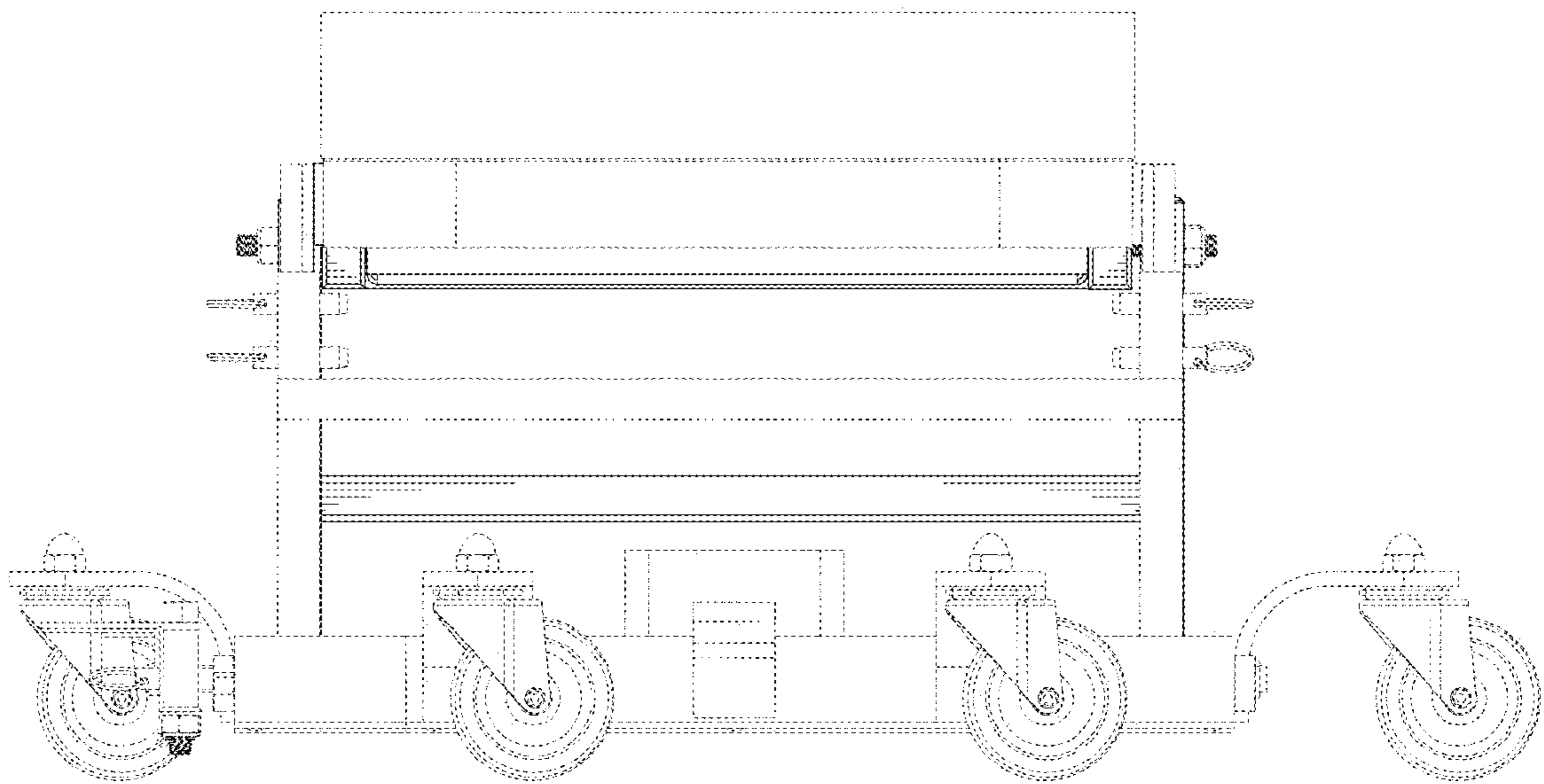
*Fig. 10.*



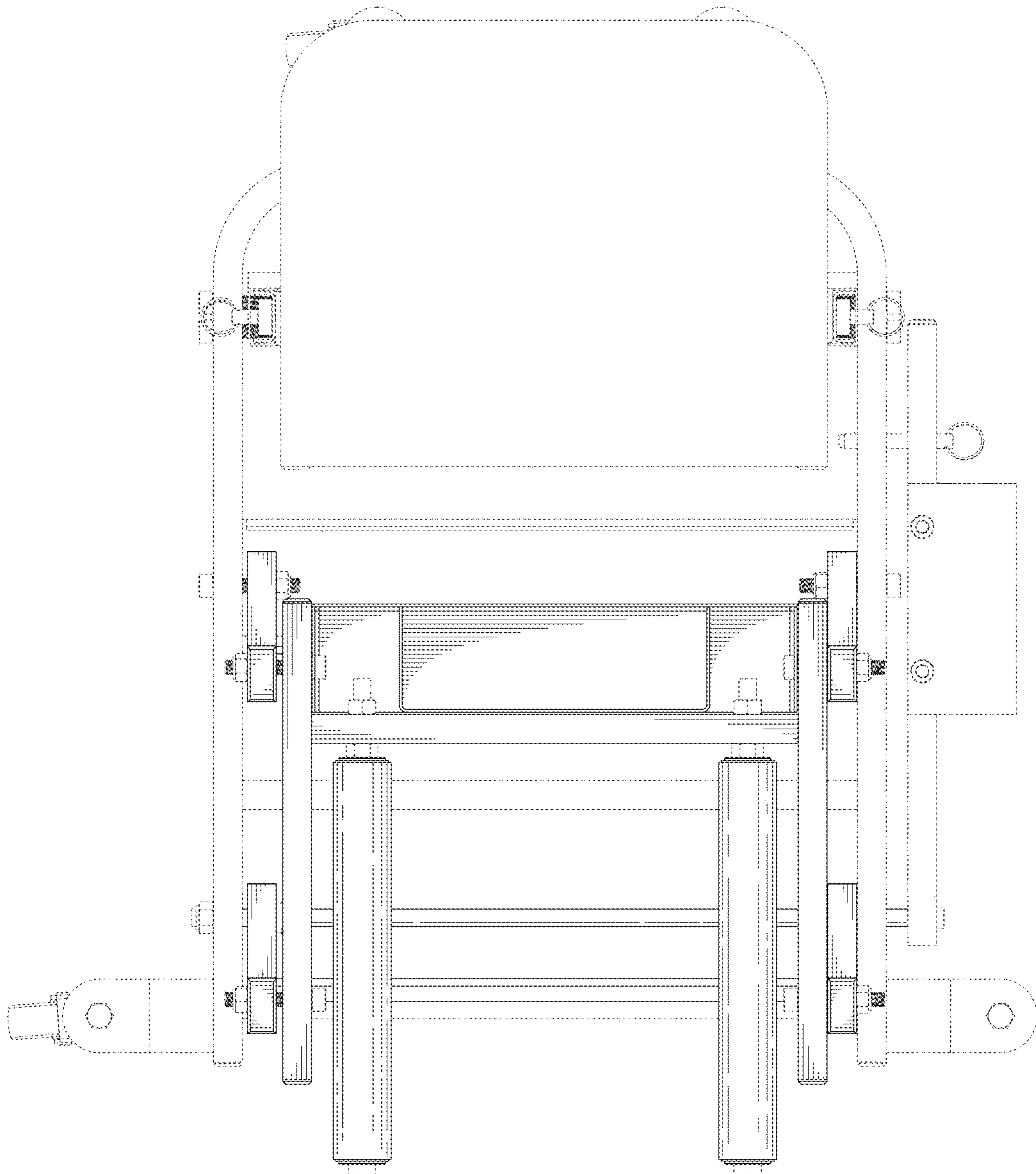
*Fig. 11.*



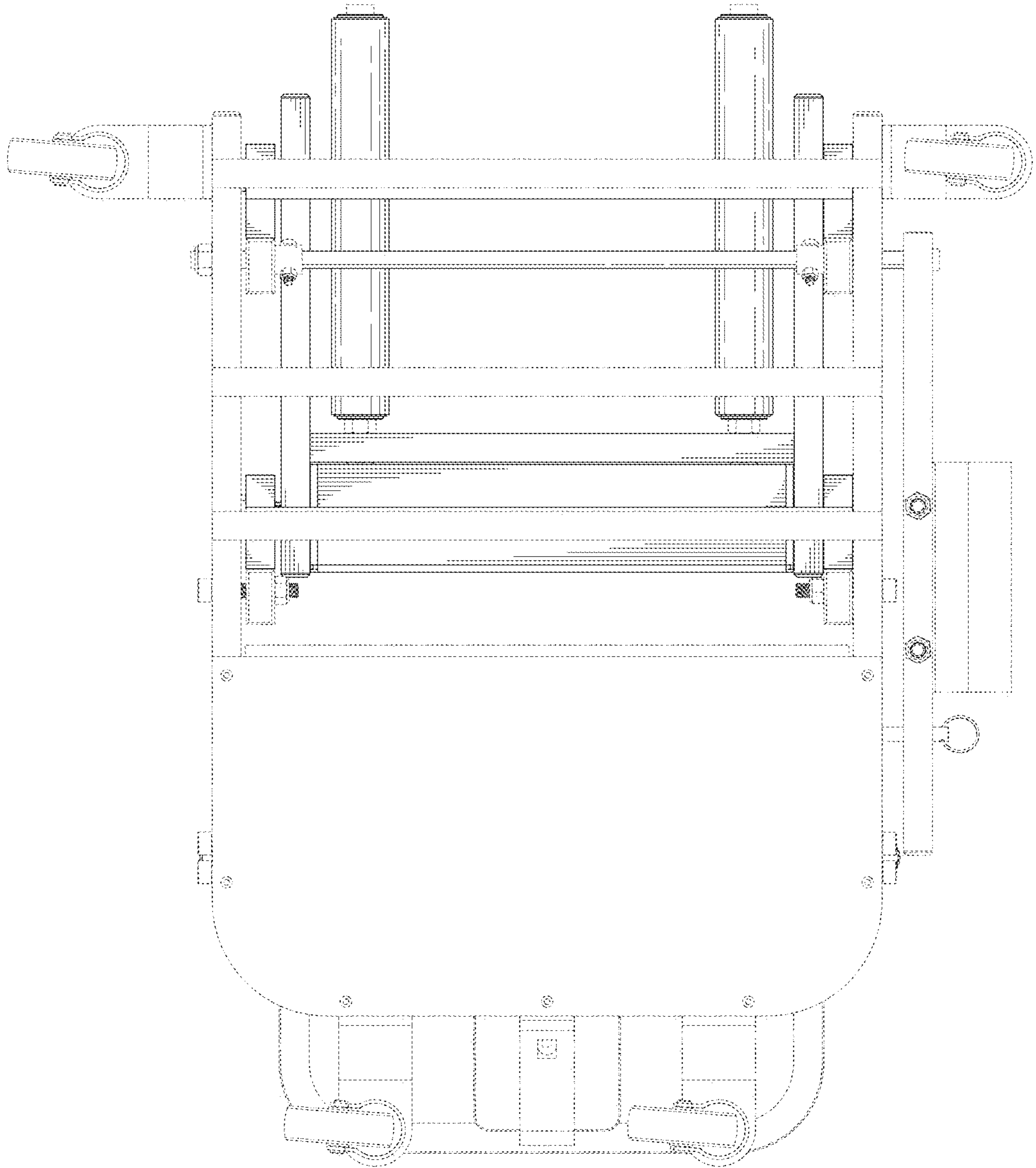
*Fig. 12.*



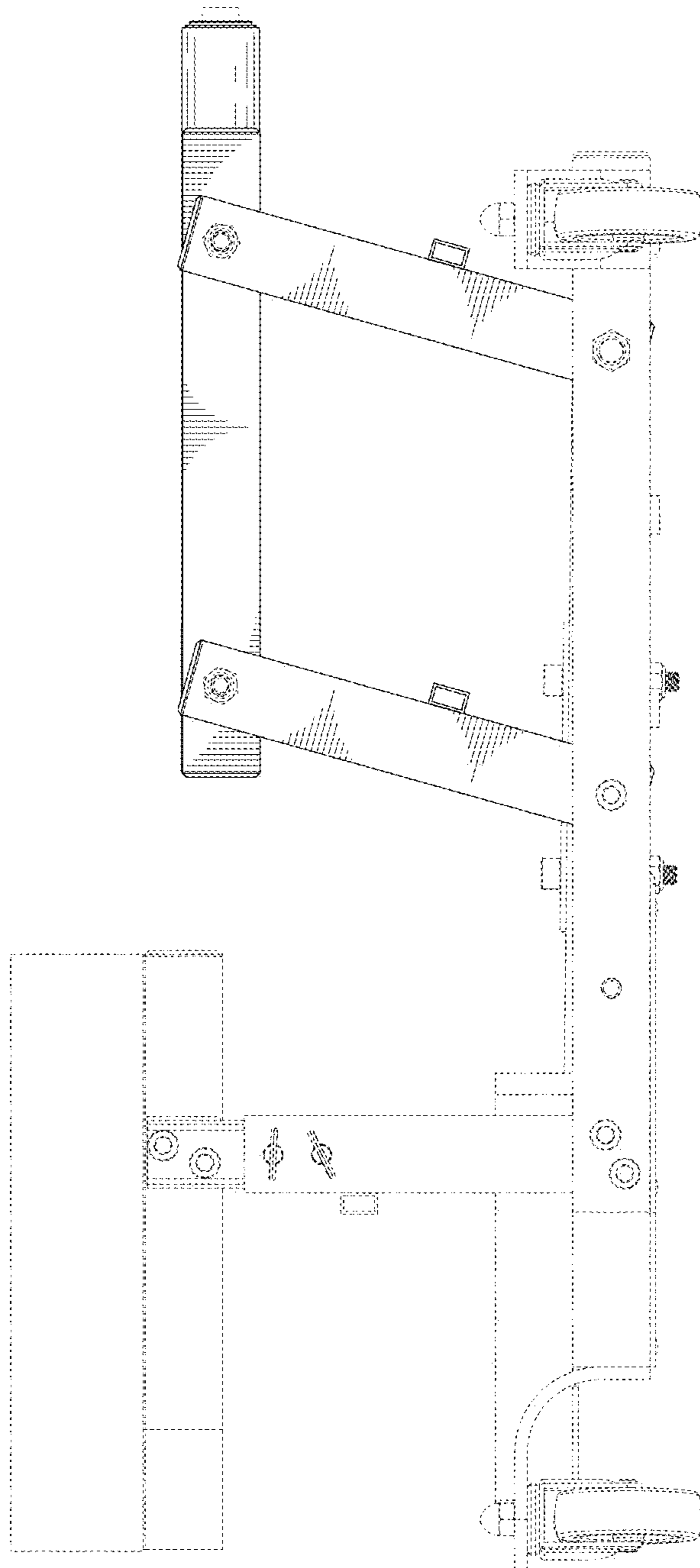
*Fig. 13.*



*Fig. 14.*

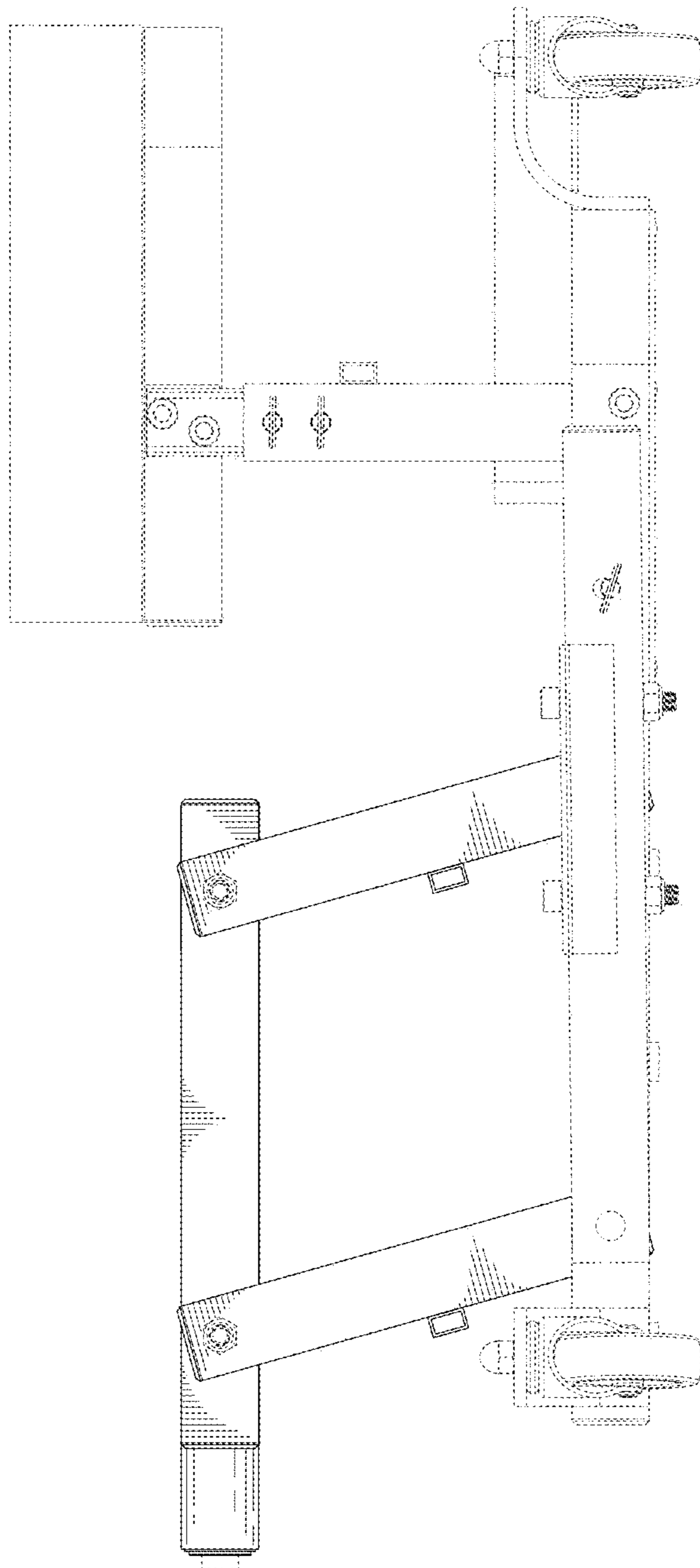


*Fig. 15.*

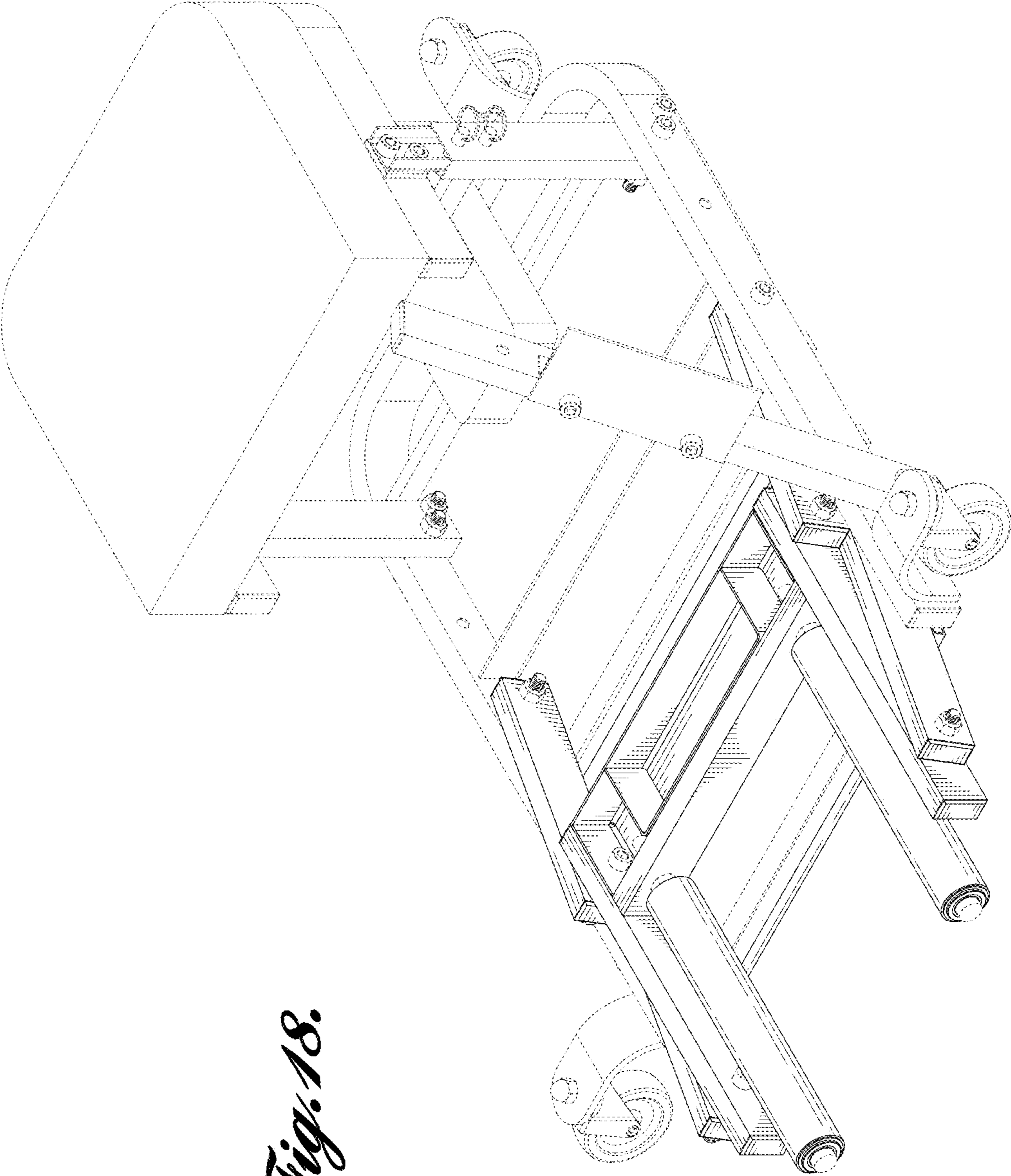


*Fig. 16.*





*Fig. 17.*



*Fig. 18.*