



US00D947477S

(12) **United States Design Patent** (10) **Patent No.:** **US D947,477 S**
Dunn et al. (45) **Date of Patent:** **** Mar. 29, 2022**

(54) **SPONGE**
(71) Applicant: **MUNCHKIN, INC.**, Van Nuys, CA (US)
(72) Inventors: **Steven Bryan Dunn**, Beverly Hills, CA (US); **Matthew Joseph Saxton**, Moorpark, CA (US); **Kwok Ping Kuen**, Kowloon (CN)
(73) Assignee: **Munchkin, Inc.**, Van Nuys, CA (US)
(**) Term: **15 Years**

D464,472 S * 10/2002 Haro D32/43
8,684,619 B2 4/2014 Uchiyama et al.
9,707,988 B1 7/2017 Chanatski
D838,422 S * 1/2019 Zimmerman D32/40
D857,987 S * 8/2019 Kang D28/7
D869,805 S * 12/2019 Catania D32/40
D902,000 S * 11/2020 Coughenour, Jr. D8/90
10,986,979 B2 * 4/2021 Sullivan A47L 13/16
D934,573 S * 11/2021 Tuman D5/58
2003/0046783 A1 * 3/2003 Chen C08J 9/28
15/244.4
2003/0192141 A1 * 10/2003 Rademacher A47L 17/08
15/118
2008/0205965 A1 8/2008 Laflamme et al.
(Continued)

(21) Appl. No.: **29/777,631**

FOREIGN PATENT DOCUMENTS

(22) Filed: **Apr. 7, 2021**

CN 304320480 * 10/2017
CN 304320502 * 10/2017
CN 304320511 * 10/2017

Related U.S. Application Data

(63) Continuation of application No. 17/177,139, filed on Feb. 16, 2021, now Pat. No. 11,185,208.

Primary Examiner — John R Yeh

(51) **LOC (13) Cl.** **07-05**

(74) *Attorney, Agent, or Firm* — Alan D. Borelli, Esq.; Robert Z. Evora, Esq.

(52) **U.S. Cl.**
USPC **D32/40**

(57) **CLAIM**

(58) **Field of Classification Search**
USPC D32/40–43
CPC A47L 13/16
See application file for complete search history.

The ornamental design for a sponge, as shown and described.

(56) **References Cited**

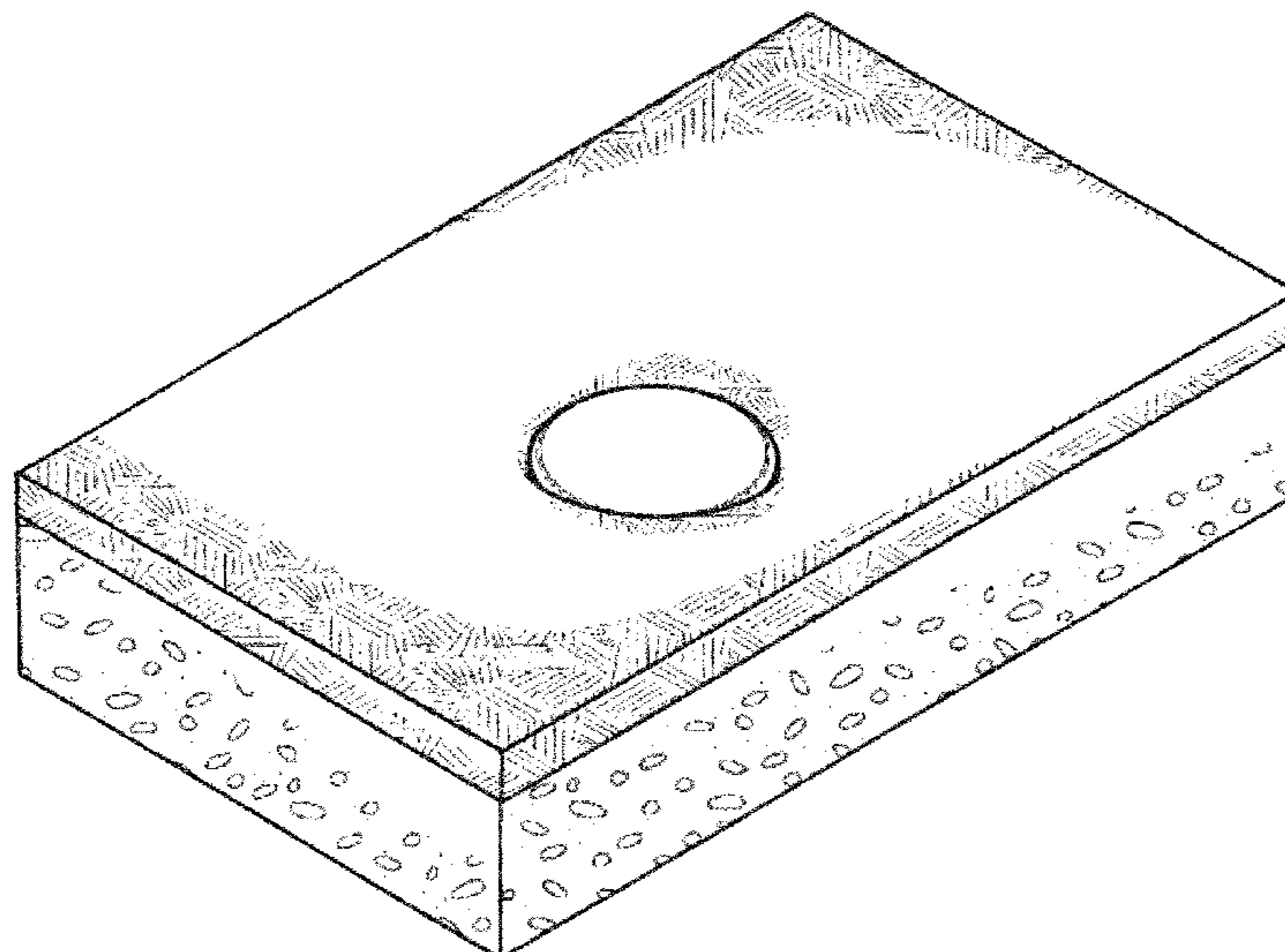
DESCRIPTION

U.S. PATENT DOCUMENTS

2,030,911 A * 2/1936 Borden A47L 1/08
401/266
2,745,128 A * 5/1956 Zeuner A47K 7/02
15/244.1
2,942,285 A * 6/1960 Gray A47L 13/16
15/244.4
D307,497 S * 4/1990 Giallourakis D32/35
D379,697 S * 6/1997 Freudenberg D32/40
6,052,856 A * 4/2000 DeMoya A47L 13/282
36/100
D440,770 S * 4/2001 Chen D4/137

FIG. 1 is an upper perspective view of a sponge of our new design;
FIG. 2 is a bottom perspective view thereof;
FIG. 3 is a top view thereof;
FIG. 4 is a bottom view thereof;
FIG. 5 is a side view thereof, the opposite side view being a mirror image thereof; and,
FIG. 6 is a front view thereof, the rear view being a mirror image thereof.

1 Claim, 6 Drawing Sheets



(56)

References Cited

U.S. PATENT DOCUMENTS

2009/0094772 A1* 4/2009 Lee A47K 7/02
15/244.3
2015/0066083 A1 3/2015 Ramos
2018/0098653 A1 4/2018 Pinchuk
2020/0268230 A1* 8/2020 Bunch B32B 5/245
2020/0329942 A1* 10/2020 Omotola A47L 13/16
2021/0307583 A1* 10/2021 Consolo B32B 3/30
2021/0345763 A1* 11/2021 Ramirez A47L 25/00

* cited by examiner

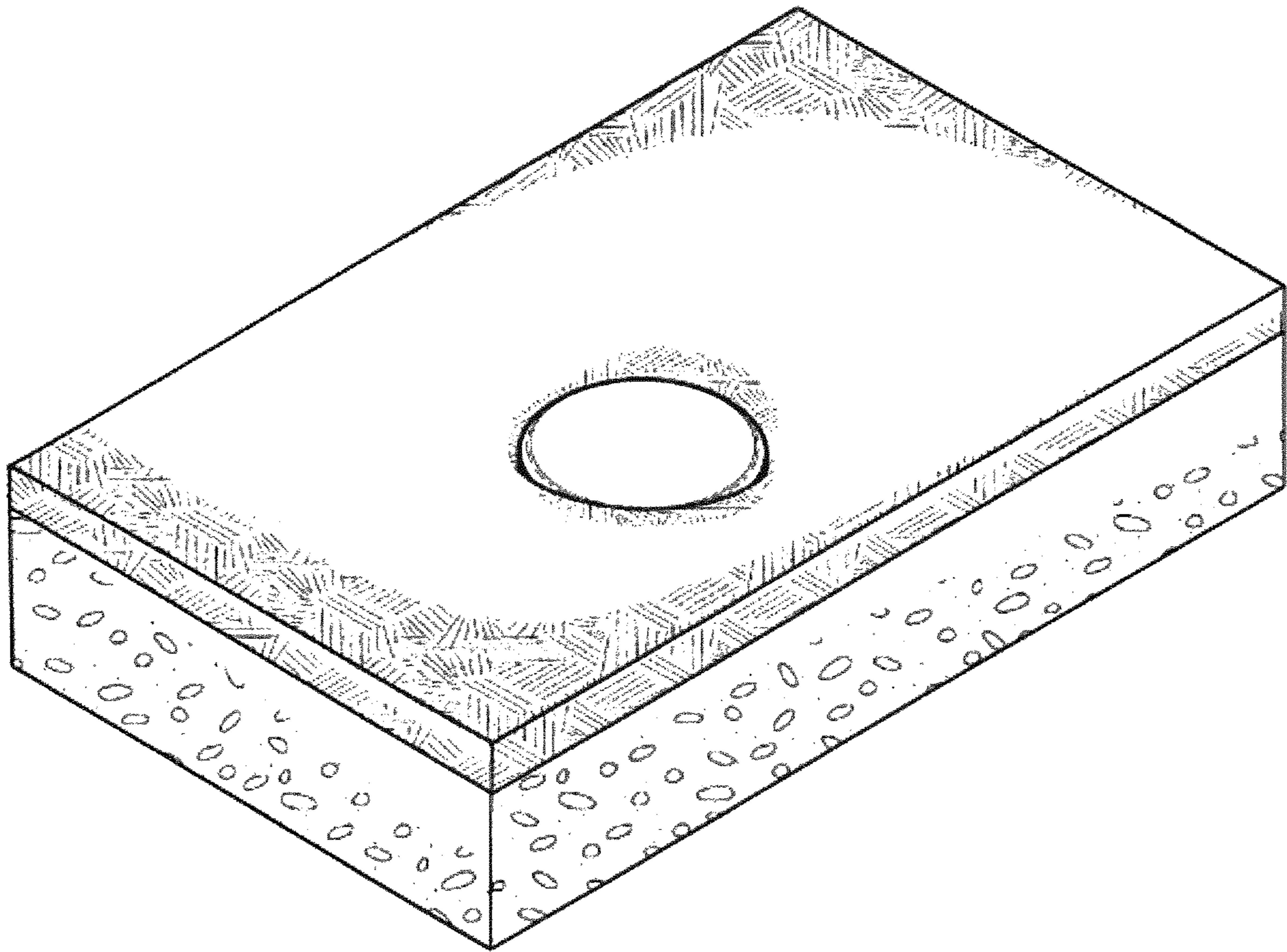


FIG. 1

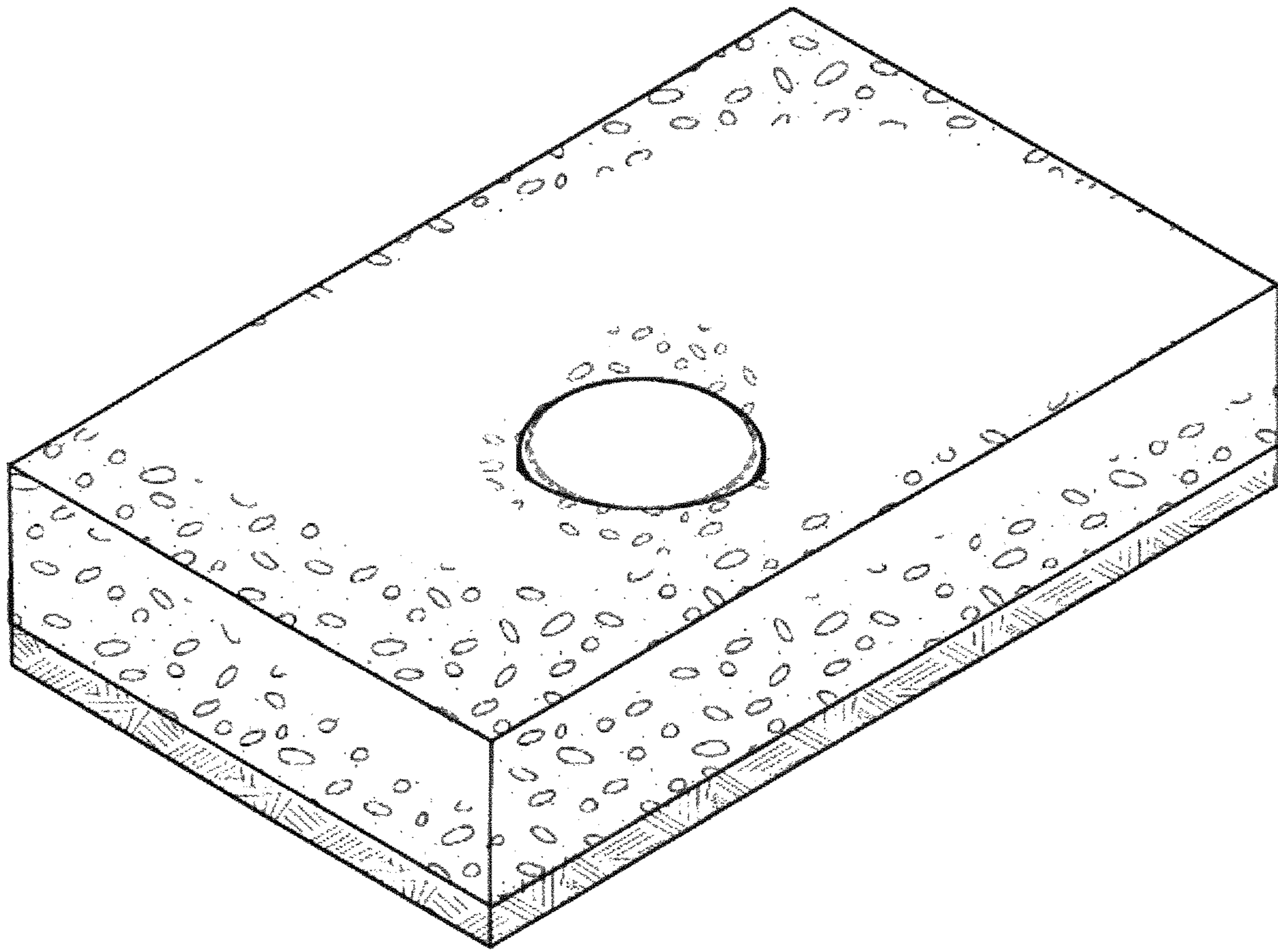


FIG. 2

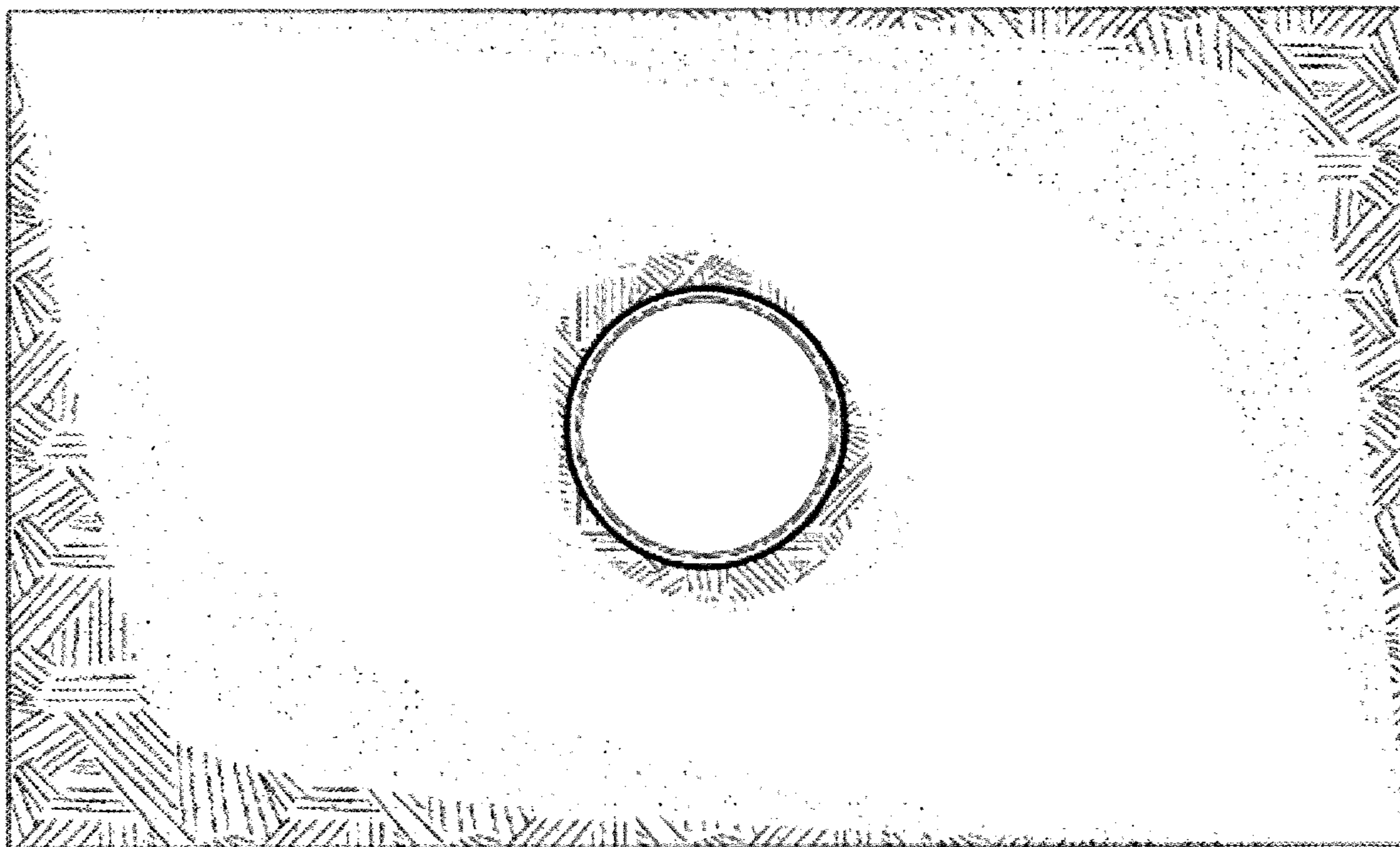


FIG. 3

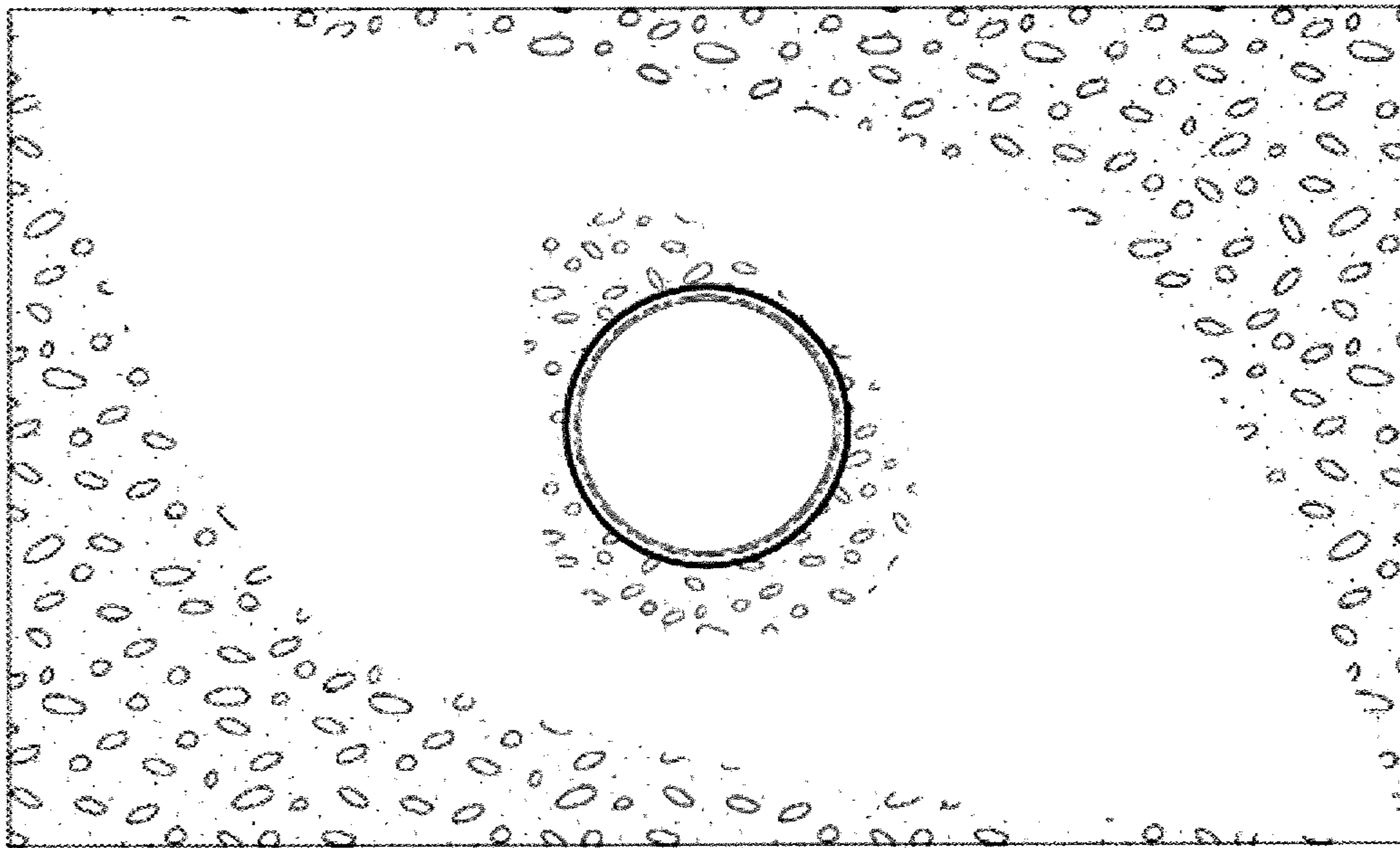


FIG. 4

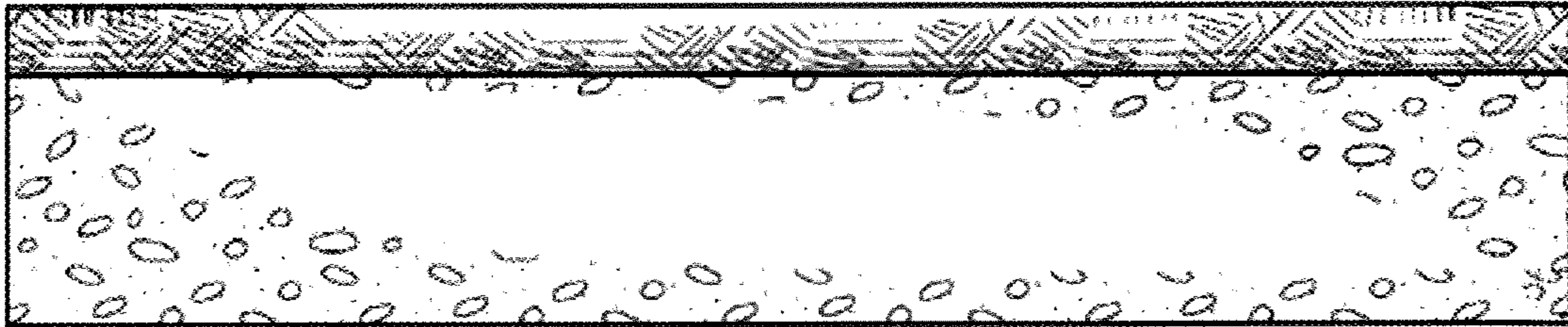


FIG. 5

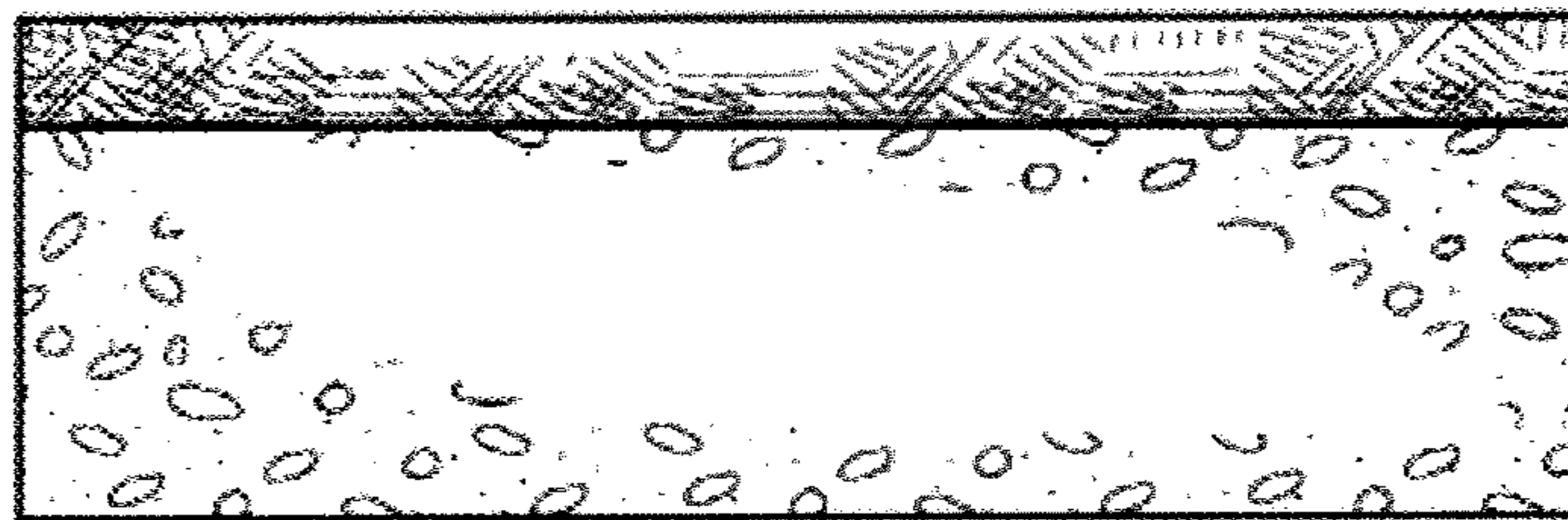


FIG. 6