



US00D947476S

(12) **United States Design Patent** (10) **Patent No.:** **US D947,476 S**  
**Benedict et al.** (45) **Date of Patent:** **\*\* Mar. 29, 2022**

(54) **LAUNDRY HAMPER**  
(71) Applicants: **James Benedict**, Farmington Hills, MI (US); **Shawn Benedict**, Farmington Hills, MI (US)  
(72) Inventors: **James Benedict**, Farmington Hills, MI (US); **Shawn Benedict**, Farmington Hills, MI (US)

D694,982 S \* 12/2013 Overland ..... D34/24  
D781,055 S \* 3/2017 Hsu ..... D3/306  
D792,098 S \* 7/2017 Aquino ..... D3/304  
D802,925 S \* 11/2017 Cassel ..... D3/304  
D807,604 S \* 1/2018 Wang ..... D32/37  
9,869,055 B2 1/2018 Zephir  
D824,126 S \* 7/2018 Barre ..... D06F 95/004  
D888,429 S \* 6/2020 Vega ..... D3/307  
(Continued)

(\*\*) Term: **15 Years**

FOREIGN PATENT DOCUMENTS

(21) Appl. No.: **29/735,502**

JP D1498660 \* 6/2014

(22) Filed: **May 21, 2020**

OTHER PUBLICATIONS

(51) **LOC (13) Cl.** ..... **09-04**

(52) **U.S. Cl.**  
USPC ..... **D32/37**

Longshore Laundry Hamper, Wayfair website 2021, site visited Sep. 16, 2021, wayfair.com/Longshore-Tides-Laundry-Hamper-With . . . \*

(58) **Field of Classification Search**  
USPC ..... D32/37; D9/501-504; D3/303-307  
CPC ..... B65D 6/16; D06F 95/00; B62B 1/14  
See application file for complete search history.

Primary Examiner — John R Yeh

(56) **References Cited**

(57) **CLAIM**

U.S. PATENT DOCUMENTS

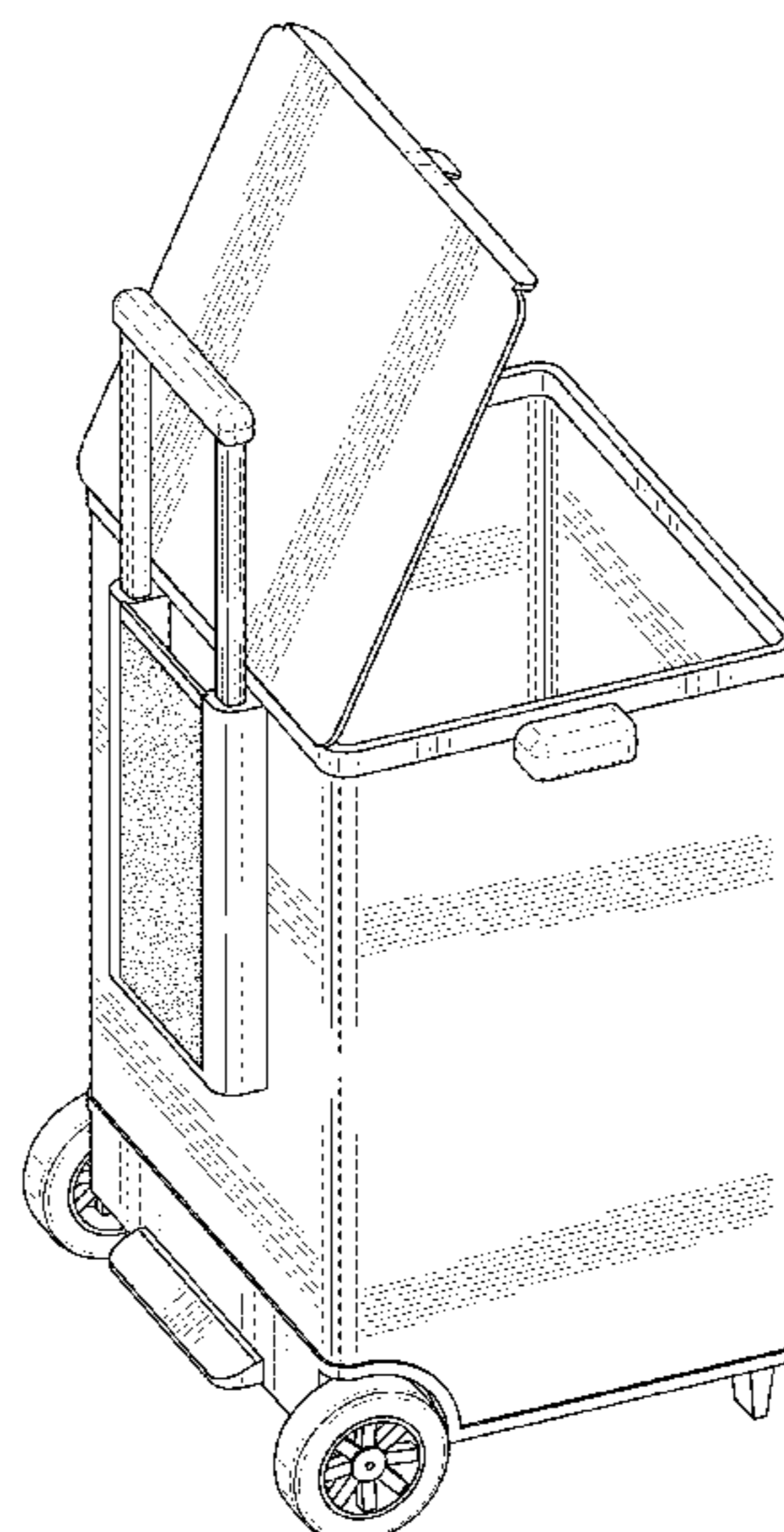
The ornamental design for a laundry hamper, as shown and described.

- 3,752,550 A 8/1973 Niemeyer
- D275,618 S \* 9/1984 Agard ..... D3/295
- 5,040,811 A \* 8/1991 Busken ..... B62B 3/003  
280/47.34
- 5,511,807 A 4/1996 Snyder
- D398,108 S 9/1998 Diaz
- 5,833,336 A \* 11/1998 Dean ..... D06F 95/002  
312/293.2
- D419,734 S 1/2000 Adams
- 6,036,204 A 3/2000 Craft
- D431,099 S \* 9/2000 Douglas ..... D32/37
- 6,651,992 B1 \* 11/2003 Smith, Sr. .... B62B 1/125  
16/113.1
- D532,568 S \* 11/2006 Rodriguez ..... D32/37
- D544,159 S 6/2007 McCoy
- D546,511 S \* 7/2007 Luster ..... D32/37
- 7,431,312 B2 \* 10/2008 Sebastian ..... B62B 3/02  
280/33.998

**DESCRIPTION**

FIG. 1 is a front view of a laundry hamper showing my new design;  
FIG. 2 is a rear view of the laundry hamper;  
FIG. 3 is a right side view of the laundry hamper;  
FIG. 4 is a left side view of the laundry hamper;  
FIG. 5 is a top view of the laundry hamper;  
FIG. 6 is a bottom view of the laundry hamper; and,  
FIG. 7 is a top rear side perspective view of the laundry hamper.  
The broken lines in the drawing figures are illustrative of portions of the device forming no part of the claimed design.

**1 Claim, 6 Drawing Sheets**



(56)

**References Cited**

U.S. PATENT DOCUMENTS

2005/0006877 A1\* 1/2005 Kachkovsky ..... B62B 3/027  
280/641  
2006/0208439 A1 9/2006 Depasquale  
2007/0075508 A1\* 4/2007 Miller ..... B62D 63/064  
280/47.26  
2007/0187912 A1 8/2007 Taulman  
2009/0152825 A1\* 6/2009 Adams ..... B65F 1/1468  
280/47.31  
2009/0223954 A1\* 9/2009 Kellogg ..... D06F 95/002  
220/6  
2010/0164191 A1\* 7/2010 Kinnen ..... B62B 1/14  
280/47.17  
2011/0127737 A1 6/2011 Lee  
2017/0001654 A1\* 1/2017 Obrien ..... B62B 1/14

\* cited by examiner

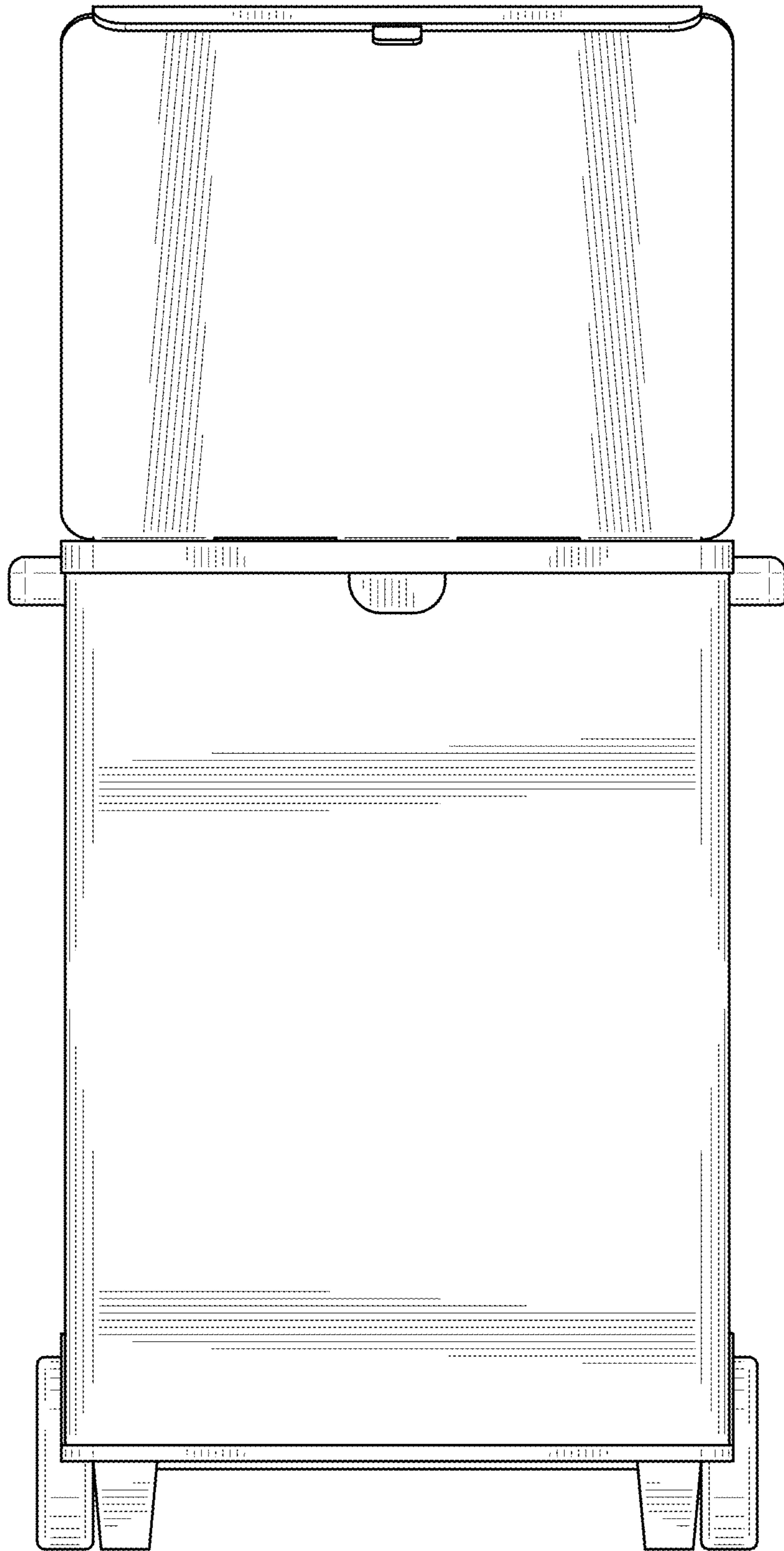


FIG. 1

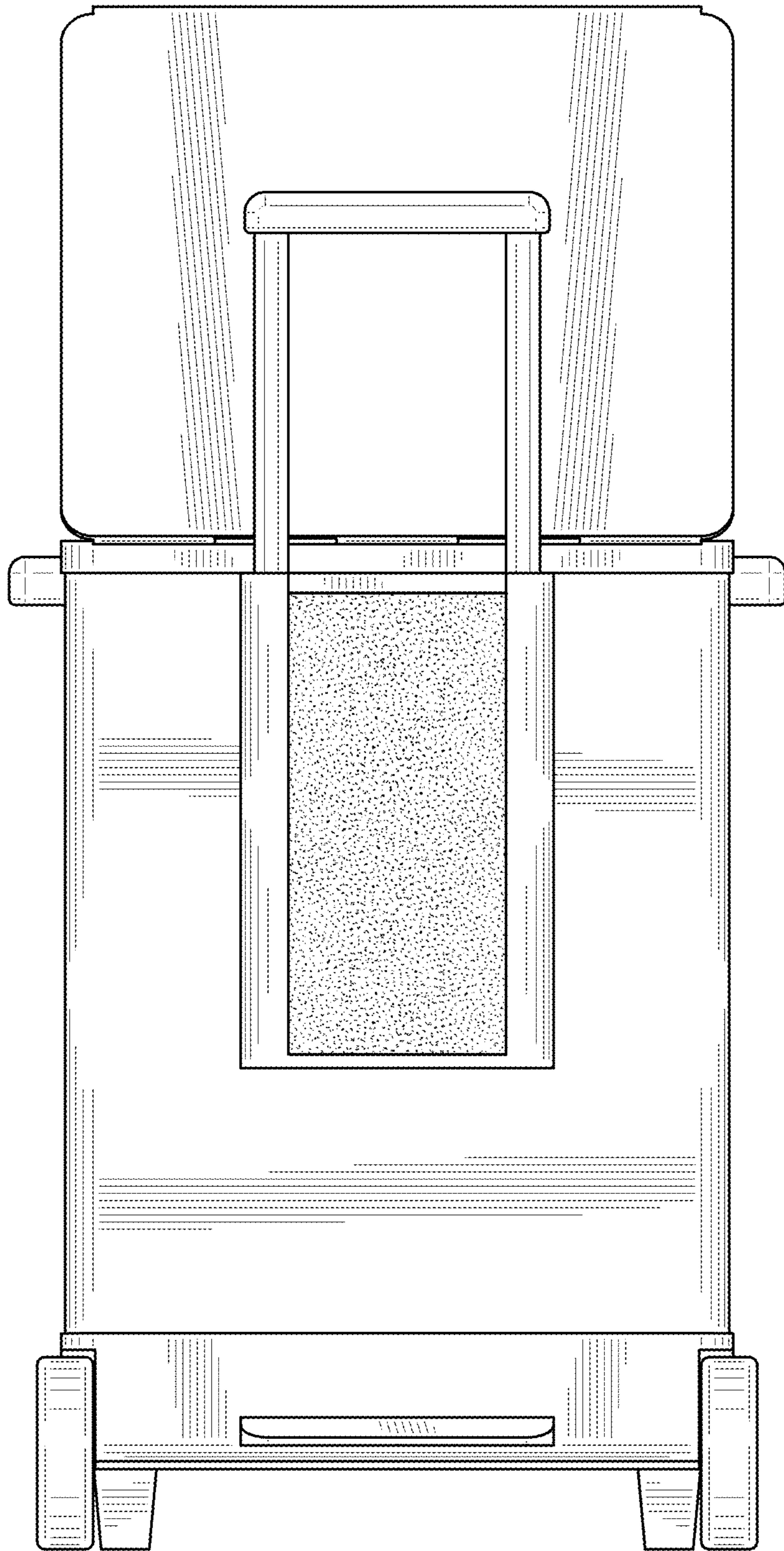


FIG. 2

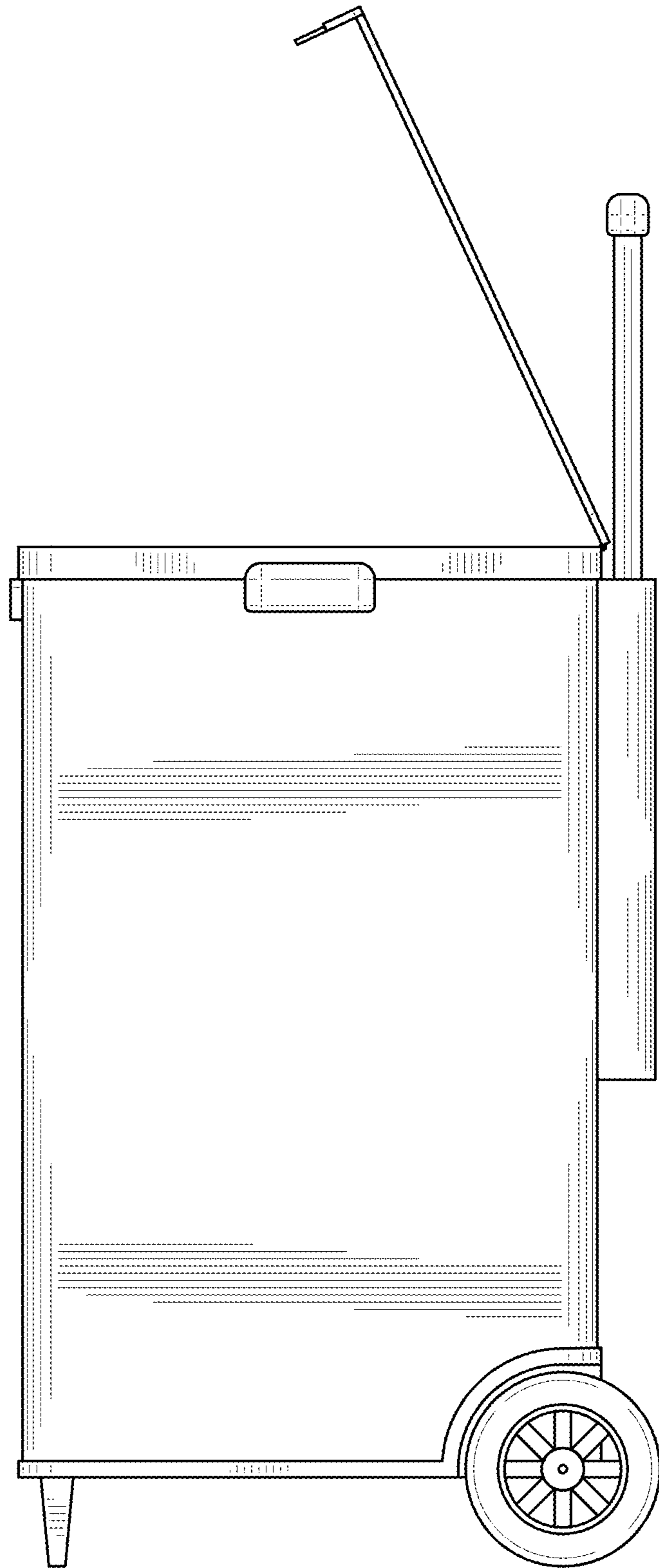


FIG. 3

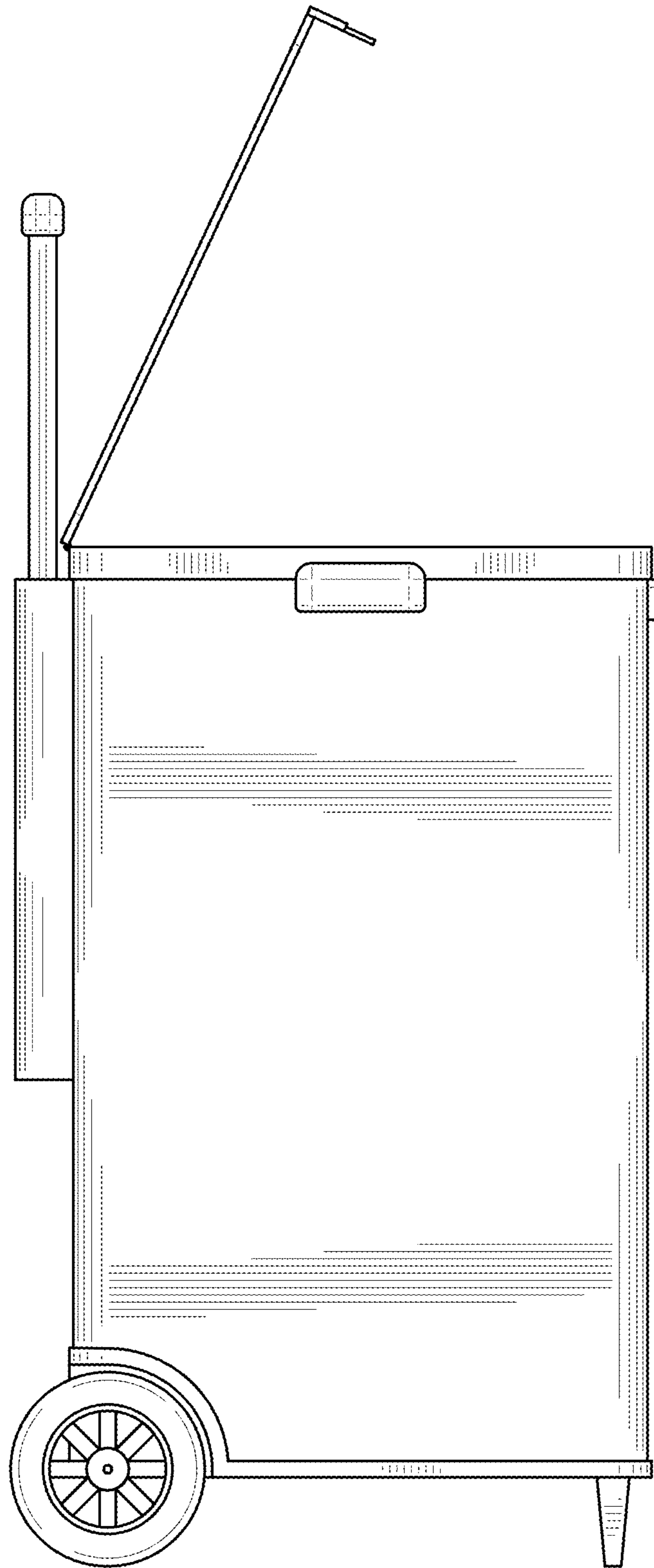


FIG. 4

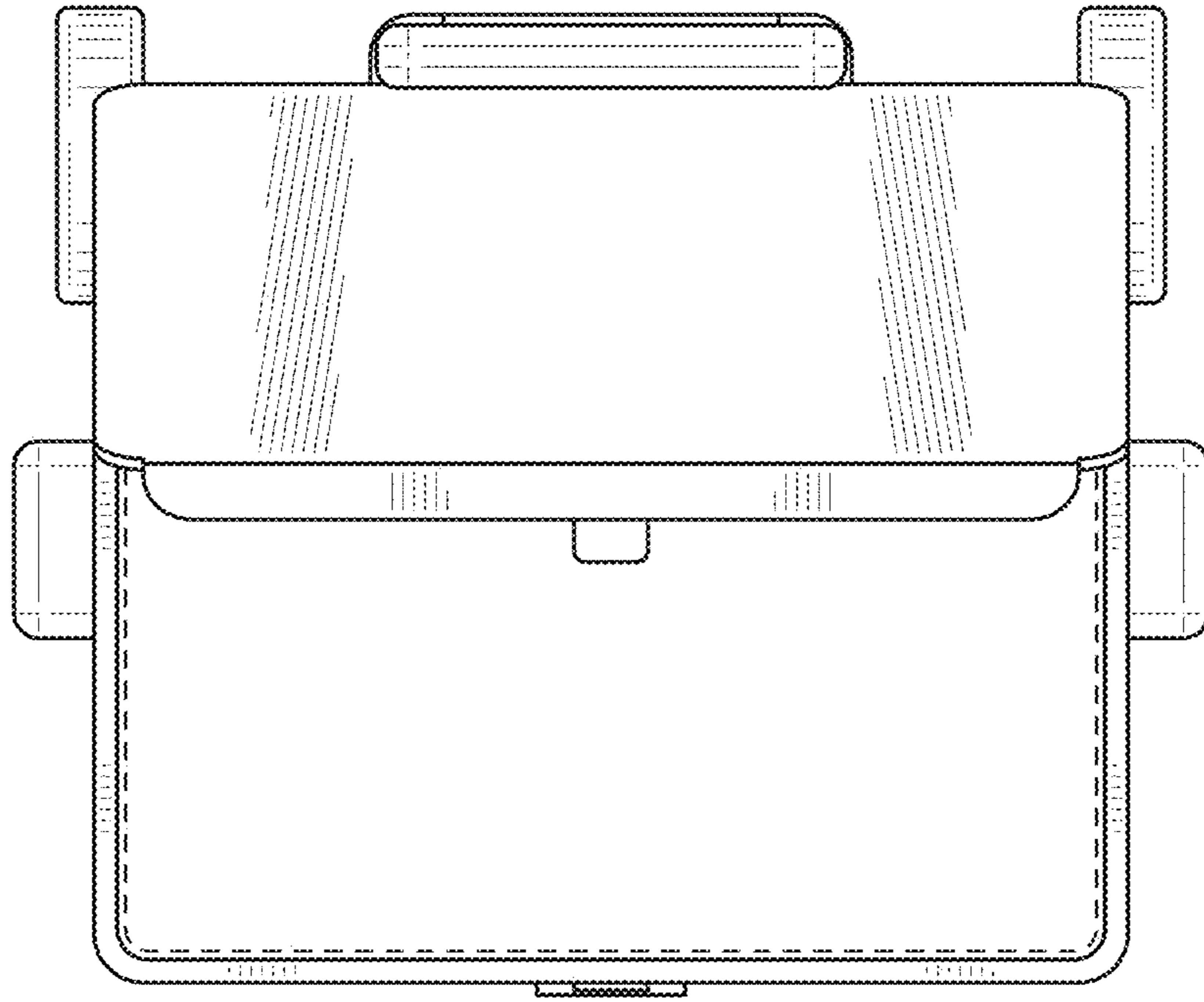


FIG. 5

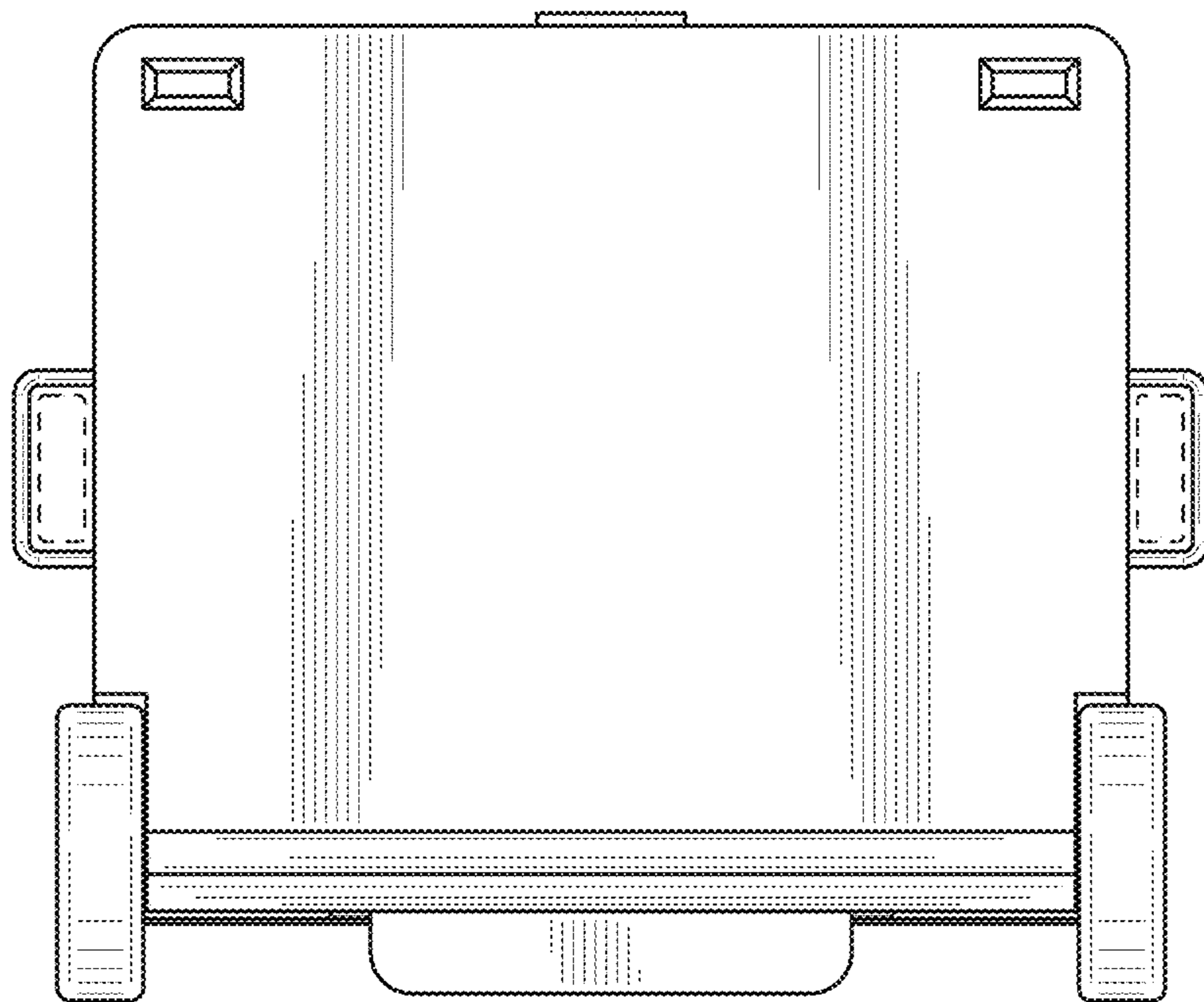


FIG. 6

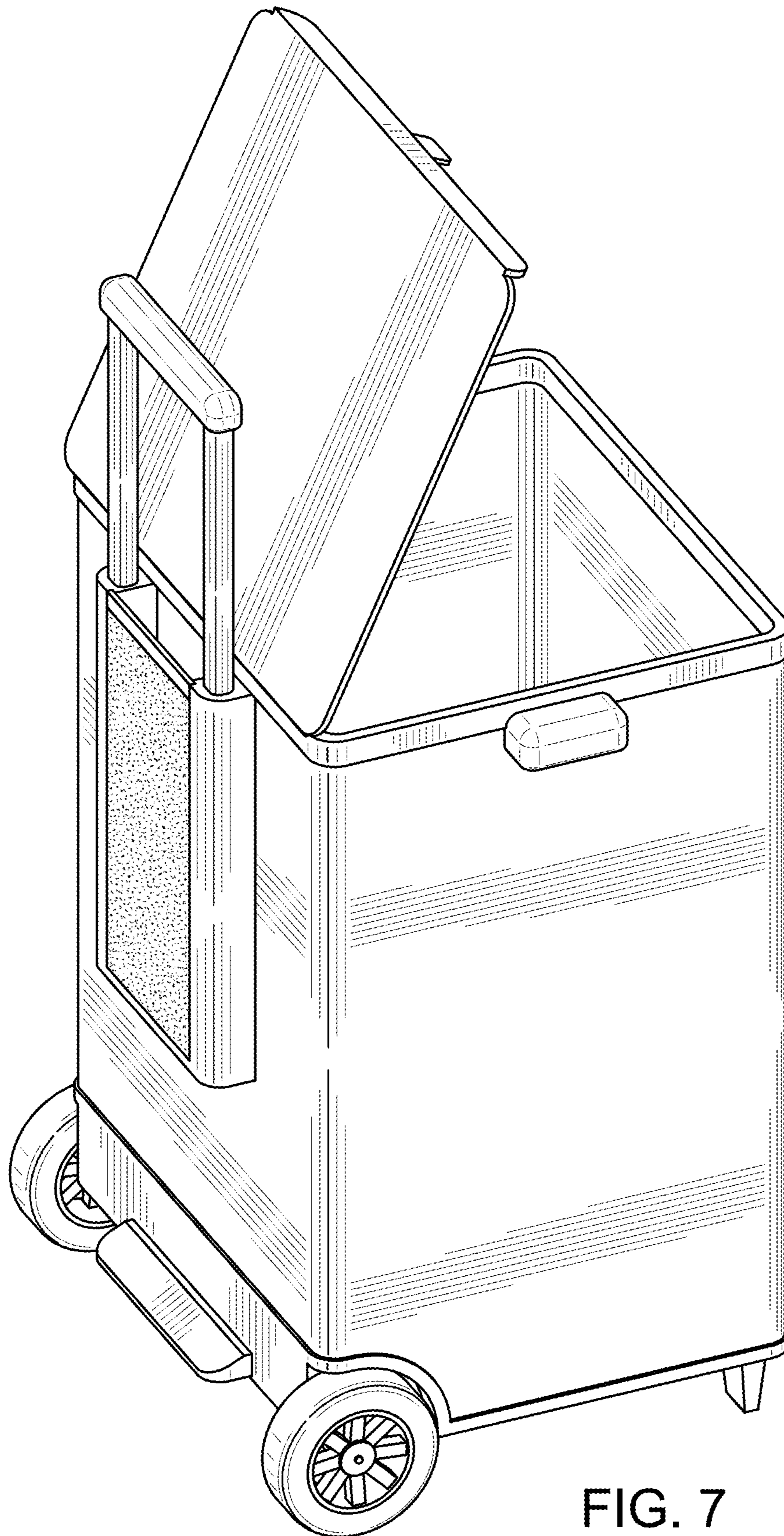


FIG. 7