



US00D947475S

(12) **United States Design Patent**
Lepold

(10) **Patent No.:** **US D947,475 S**
(45) **Date of Patent:** **** Mar. 29, 2022**

(54) **VACUUM**

(71) Applicant: **SPRiNTUS GmbH**,
Welzheim-Breitenfuerst (DE)

(72) Inventor: **Holger Siegfried Lepold**, Rudersberg
Mannenberg (DE)

(73) Assignee: **Sprintus GmbH**,
Welzheim-Breitenfuerst (DE)

(**) Term: **15 Years**

(21) Appl. No.: **29/746,050**

(22) Filed: **Aug. 11, 2020**

(51) **LOC (13) Cl.** **15-05**

(52) **U.S. Cl.**
USPC **D32/21**

(58) **Field of Classification Search**
USPC D32/17, 18, 21, 22, 23, 24, 31, 32, 33,
D32/34
CPC A47L 11/20; A47L 11/34; A47L 11/40;
A47L 11/4016; A47L 5/24; A47L 5/28;
A47L 7/02
See application file for complete search history.

(56) **References Cited**

U.S. PATENT DOCUMENTS

D438,353 S *	2/2001	Hoshino	D32/23
D528,718 S *	9/2006	Tomasiak	D32/21
D568,013 S *	4/2008	Crevling, Jr.	D32/23
D573,320 S *	7/2008	Crevling, Jr.	D32/23
D581,111 S *	11/2008	DiPasquale	D32/21
D581,608 S *	11/2008	Dammkoehler	D32/21
D615,258 S *	5/2010	Dammkoehler	D32/23
D660,529 S *	5/2012	Dammkoehler	D32/21
D667,597 S *	9/2012	Dammkoehler	D32/21
D669,646 S *	10/2012	Theising	D32/23
D675,388 S *	1/2013	Buck	D32/21
D712,101 S *	8/2014	Elmer	D32/21
D712,605 S *	9/2014	Dammkoehler	D32/21

D714,501 S *	9/2014	Dammkoehler	D32/22
D720,900 S *	1/2015	Hickmott	D32/21
9,271,620 B2 *	3/2016	Meredith	A47L 5/365
D802,861 S *	11/2017	Jin	D32/21
D806,332 S *	12/2017	Griffin	D32/21
D830,014 S *	10/2018	Jin	D32/21
D830,015 S *	10/2018	Jin	D32/21
D834,775 S *	11/2018	Griffin	D32/21
D866,886 S *	11/2019	Knight	D32/21
D876,735 S *	2/2020	Lassig	D32/21
10,888,207 B2 *	1/2021	Tomasiak	A47L 5/365
D933,914 S *	10/2021	Eskridge	D32/21

OTHER PUBLICATIONS

Starker und leiser Neue Baureihen der VCE-Sicherheitssauger von Flex (on-line), dated Feb. 26, 2017. Retrieved from Internet Oct. 21, 2021, URL: <https://www.dds-online.de/themenseite/staubklasse-m/staerker-und-leiser/> (2 pages) (Year: 2017).*

* cited by examiner

Primary Examiner — Kimberly Barnes
(74) *Attorney, Agent, or Firm* — Gregory L. Mayback;
Dickinson Wright PLLC

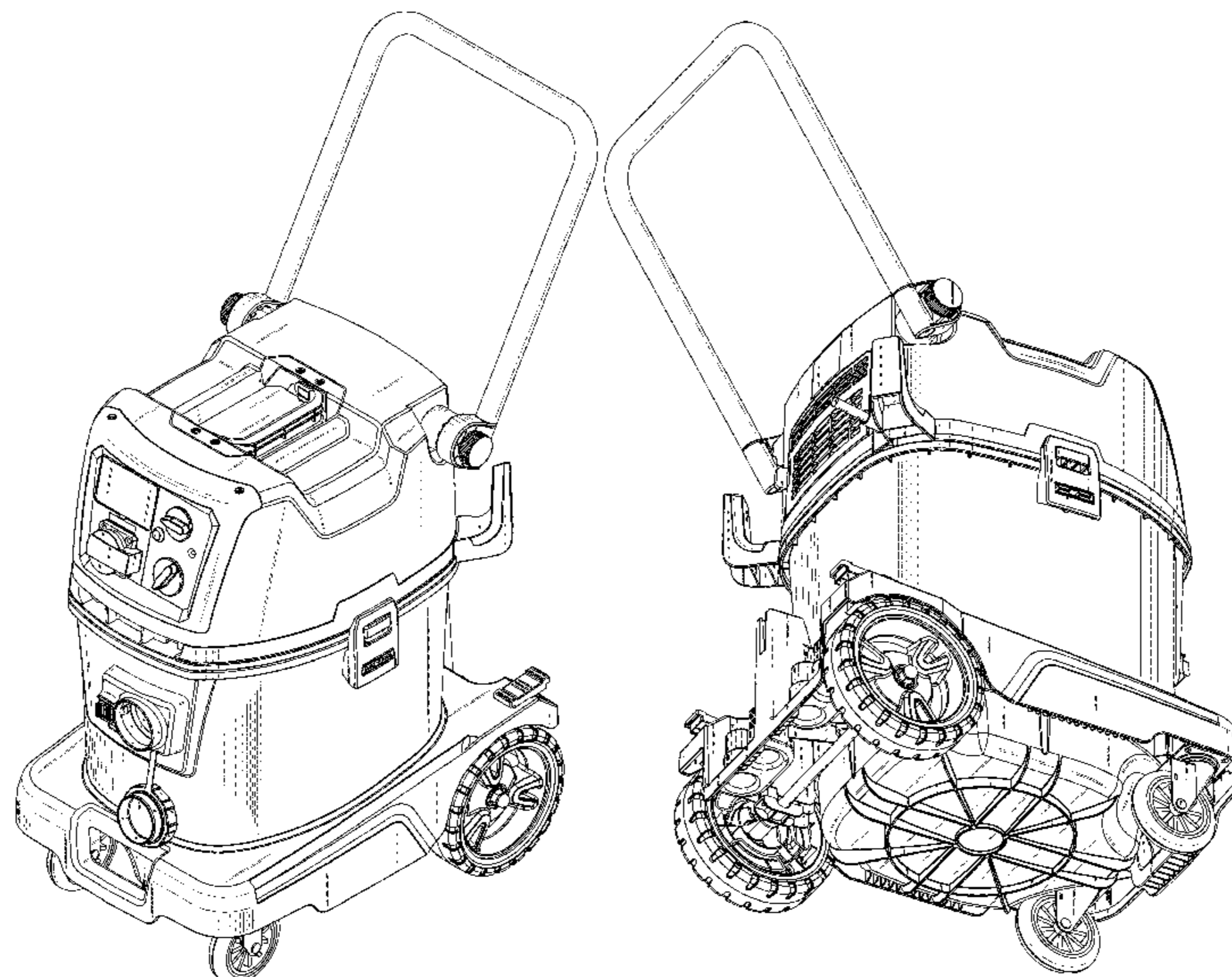
(57) **CLAIM**

The ornamental design for a vacuum, as shown and described.

DESCRIPTION

FIG. 1 is a side top perspective view of a vacuum showing my new design;
FIG. 2 is a rear bottom perspective view thereof;
FIG. 3 is a rear top perspective view thereof;
FIG. 4 is a front elevation view thereof;
FIG. 5 is a rear elevation view thereof;
FIG. 6 is right side elevation view thereof;
FIG. 7 is a left side elevation view thereof;
FIG. 8 is a top plan view thereof; and,
FIG. 9 is a bottom plan view thereof.

1 Claim, 8 Drawing Sheets



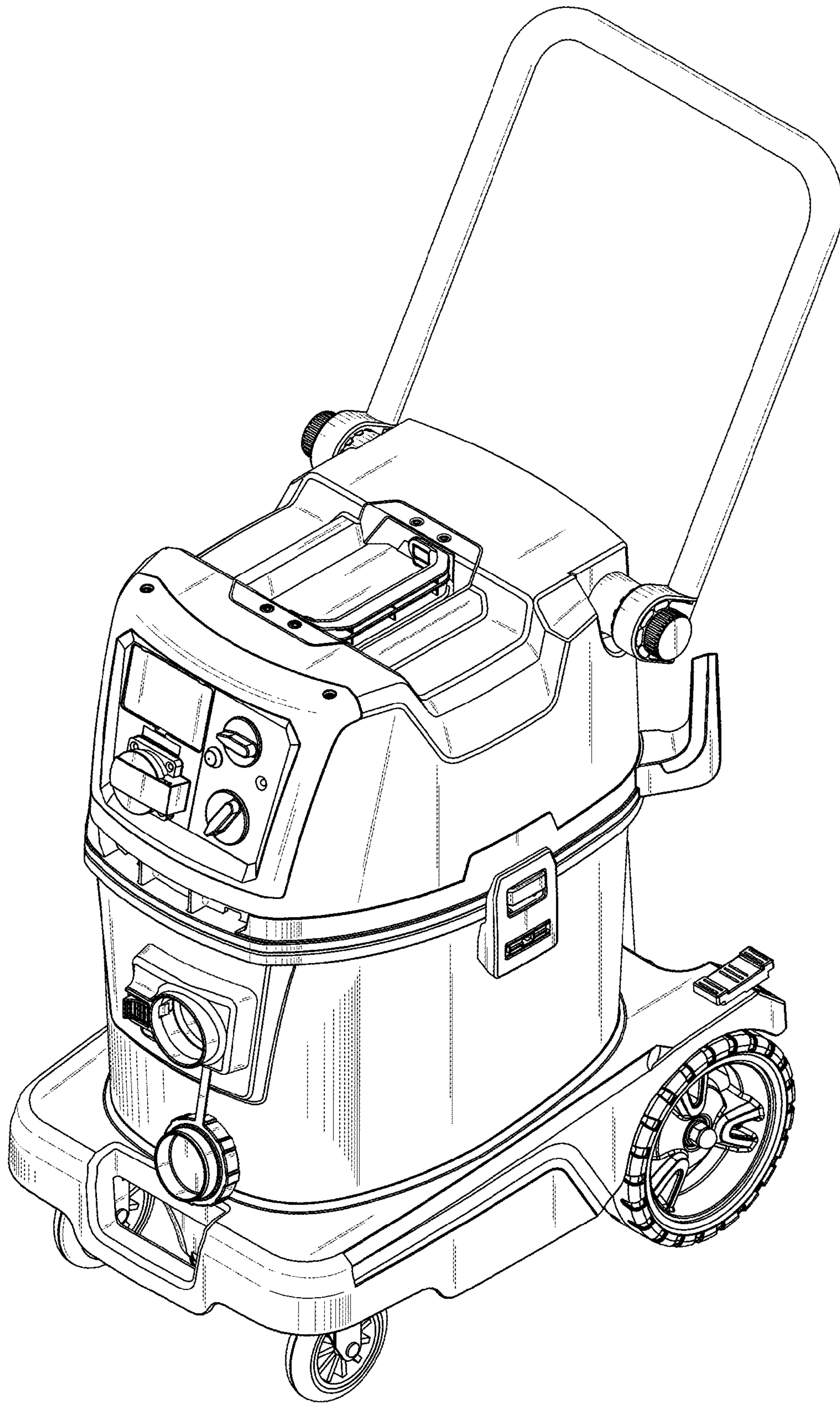


FIG. 1

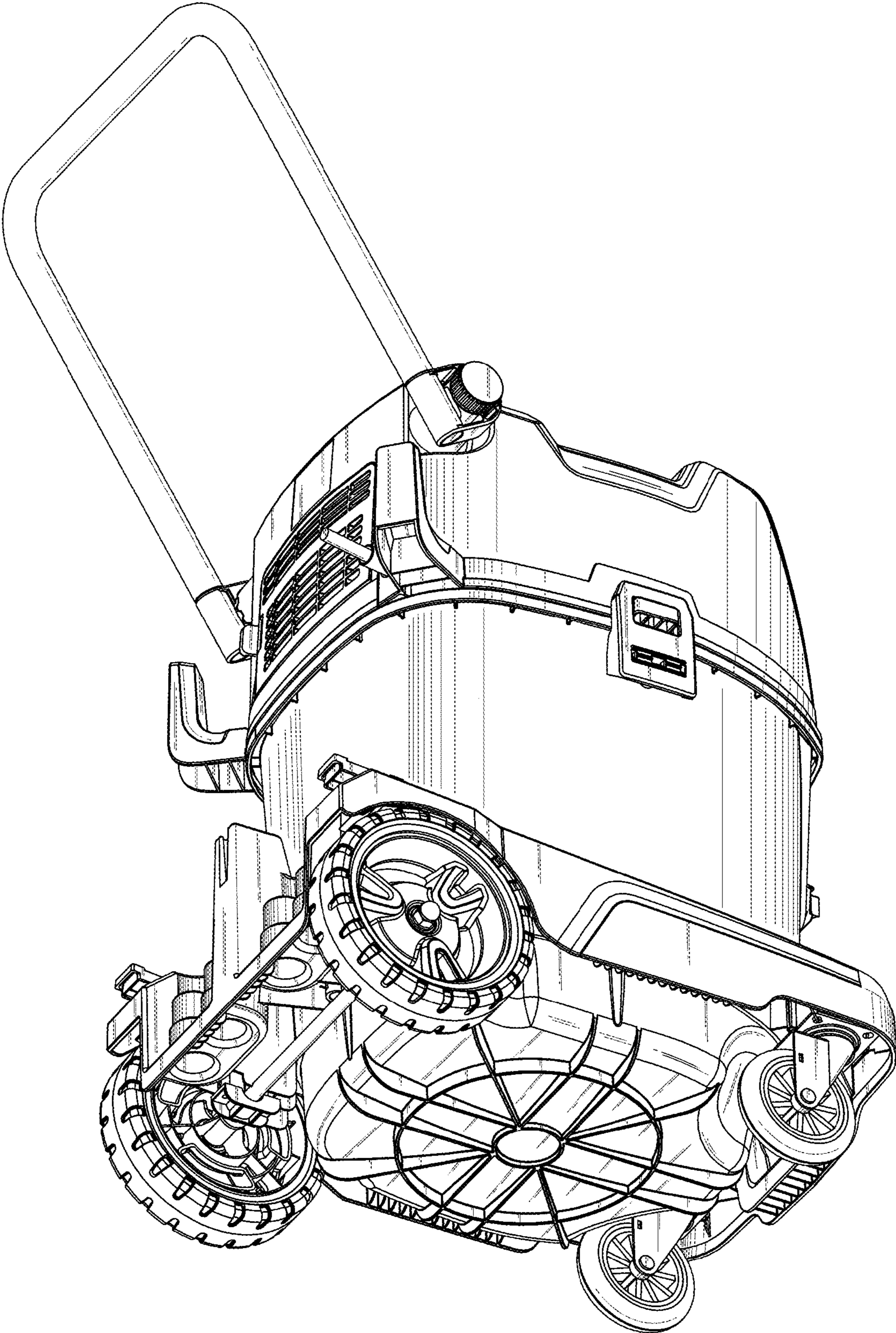


FIG. 2

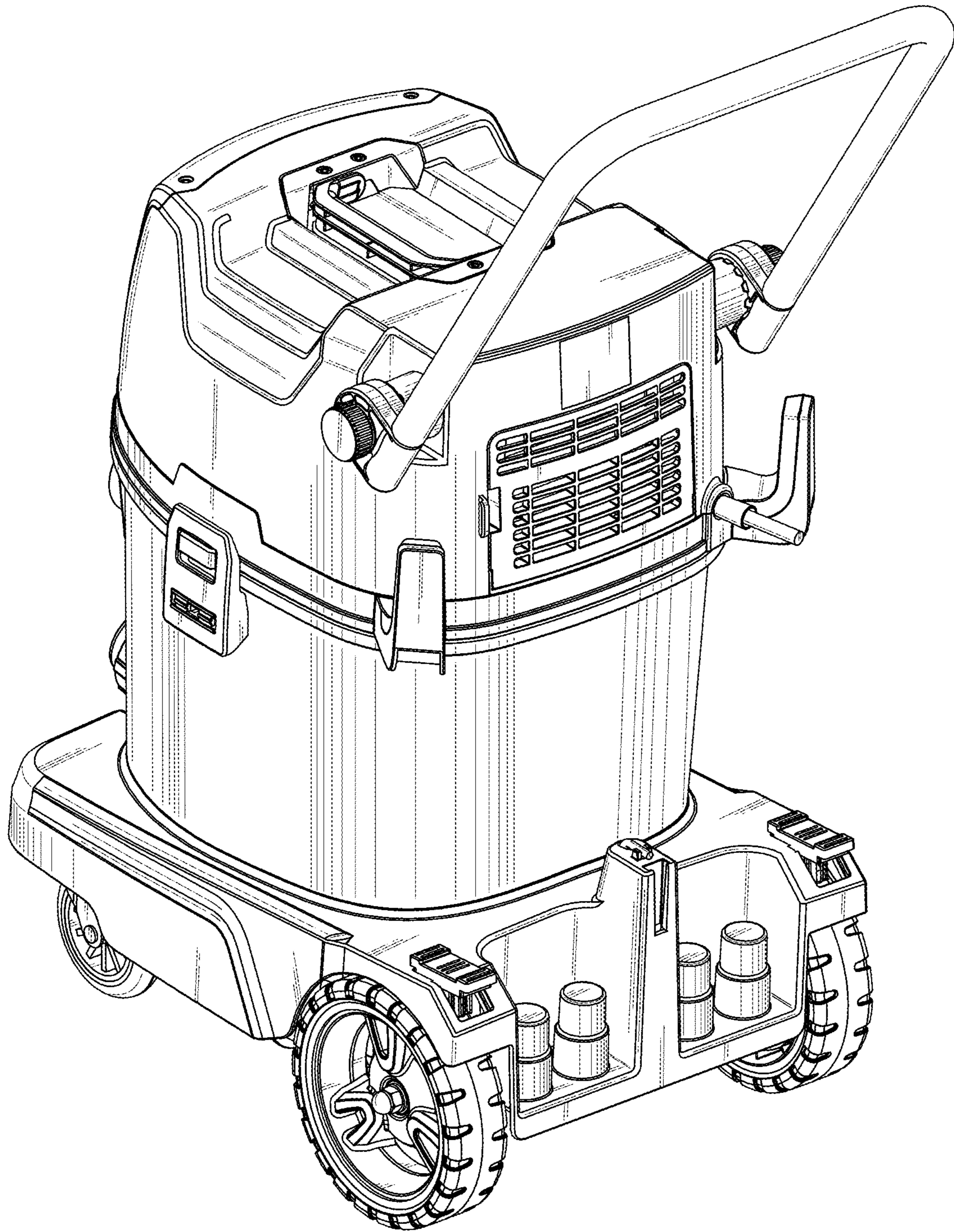


FIG. 3

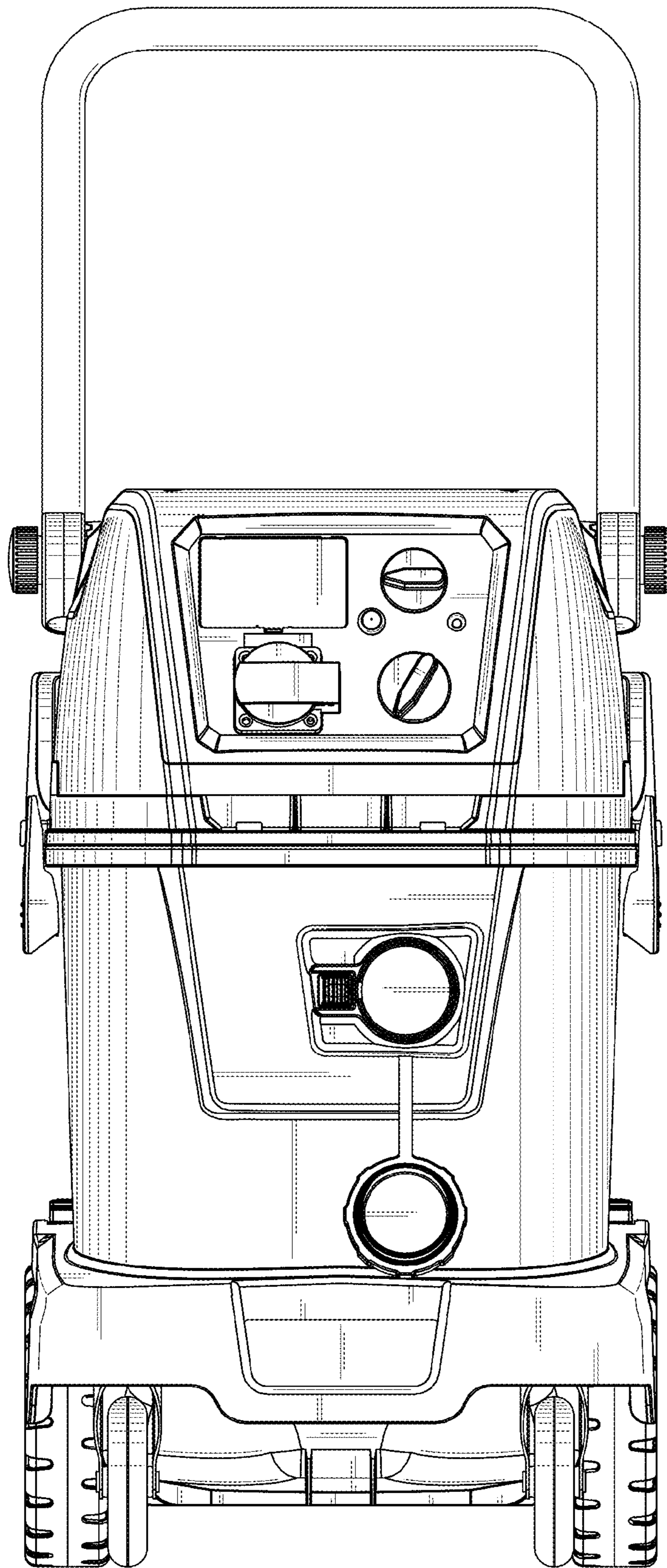


FIG. 4

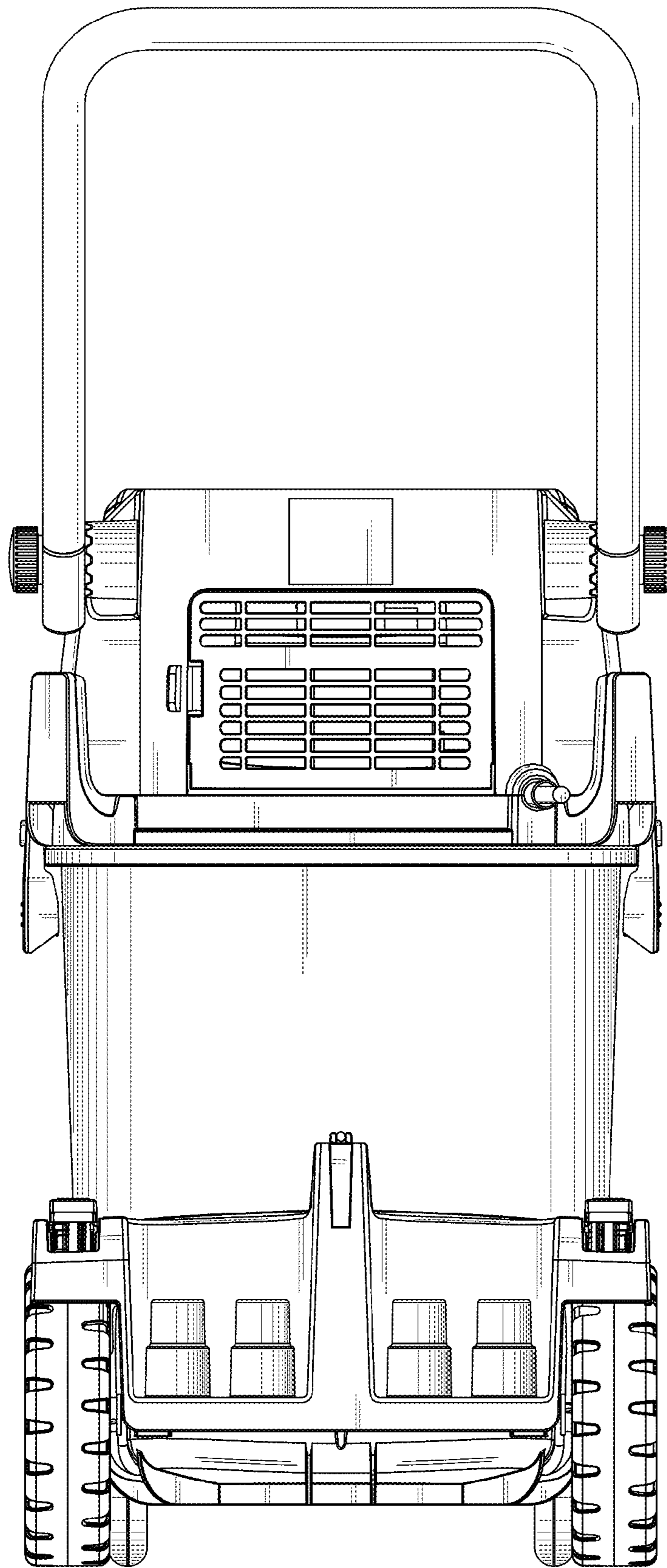


FIG. 5

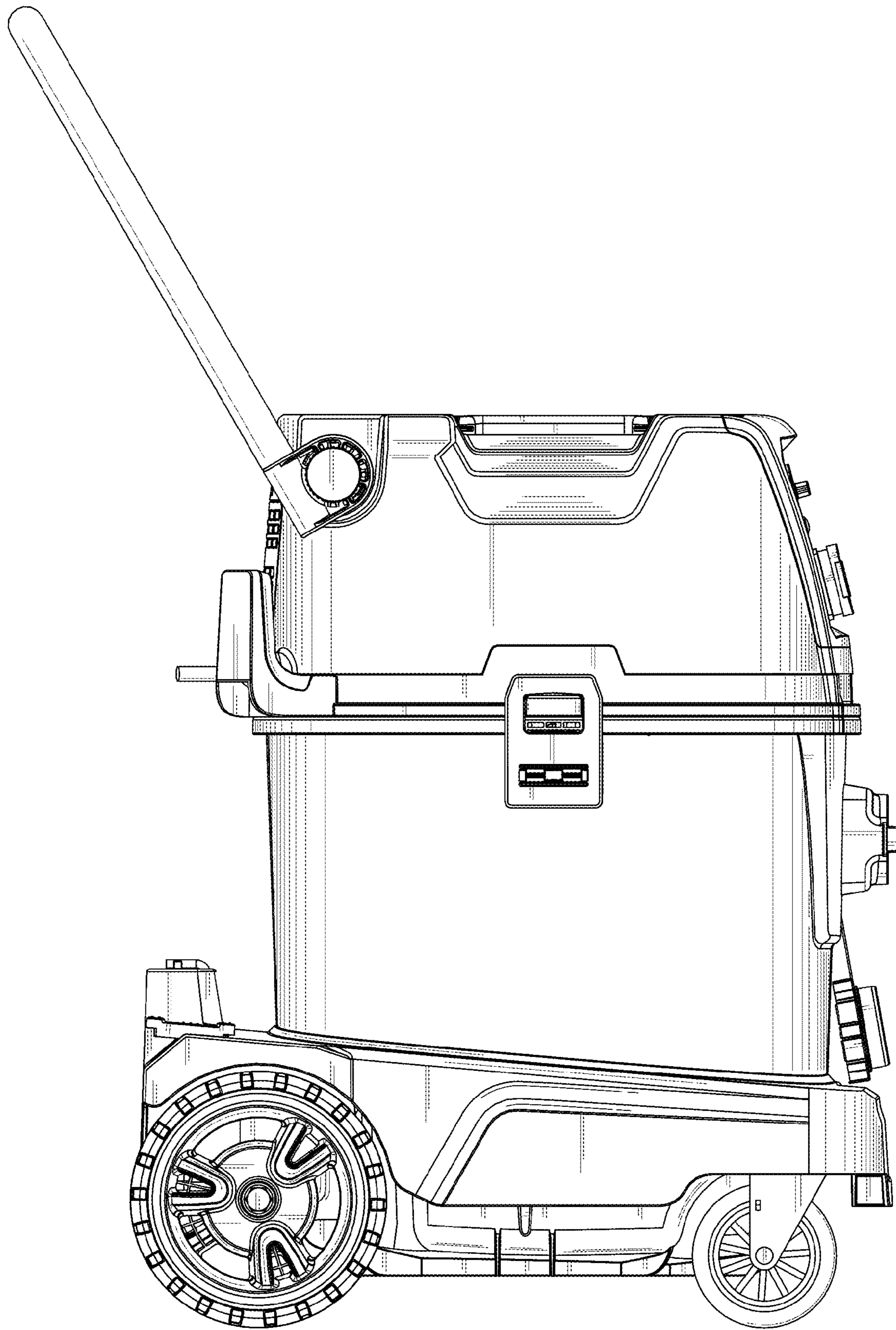


FIG. 6

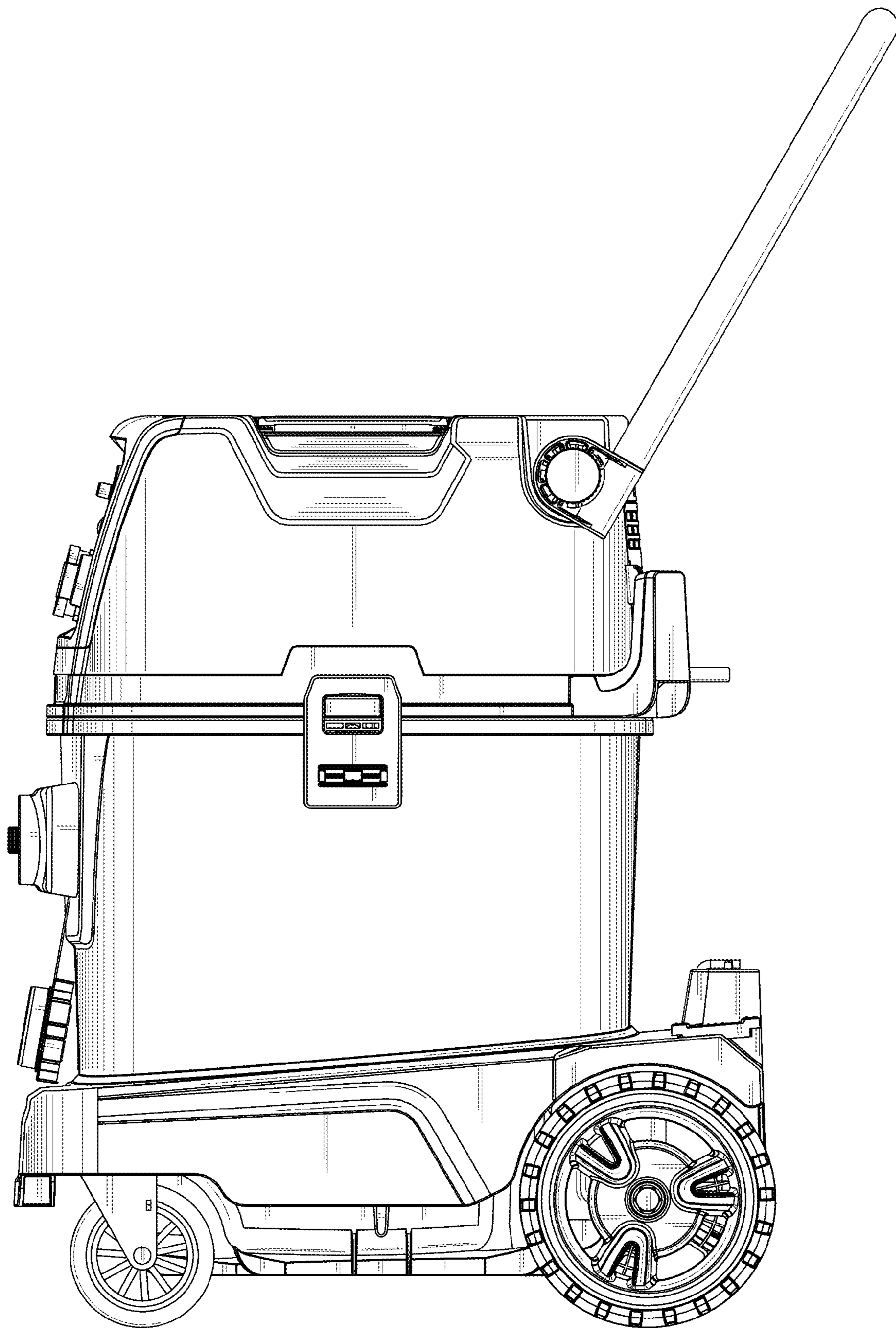


FIG. 7

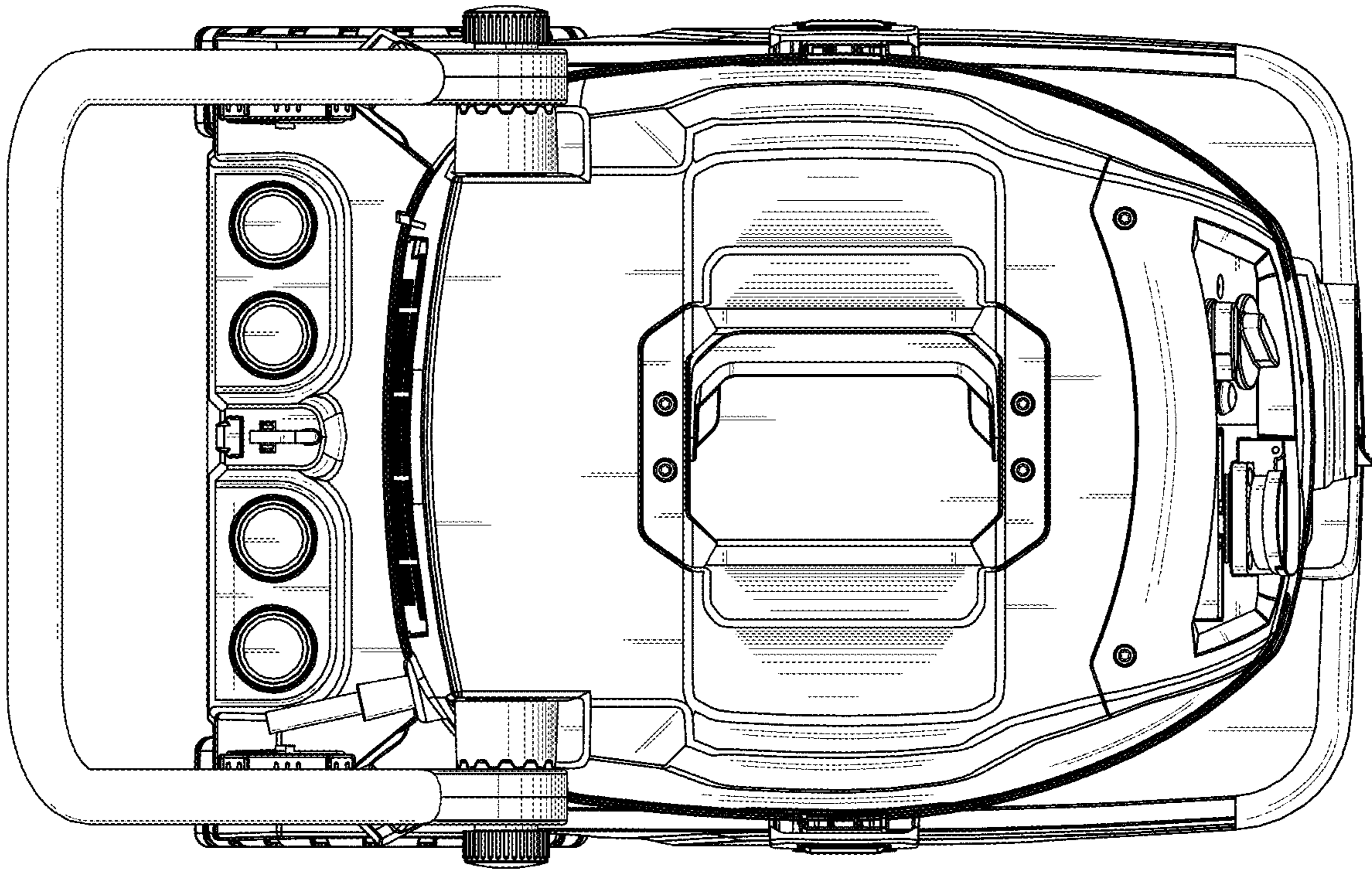


FIG. 8

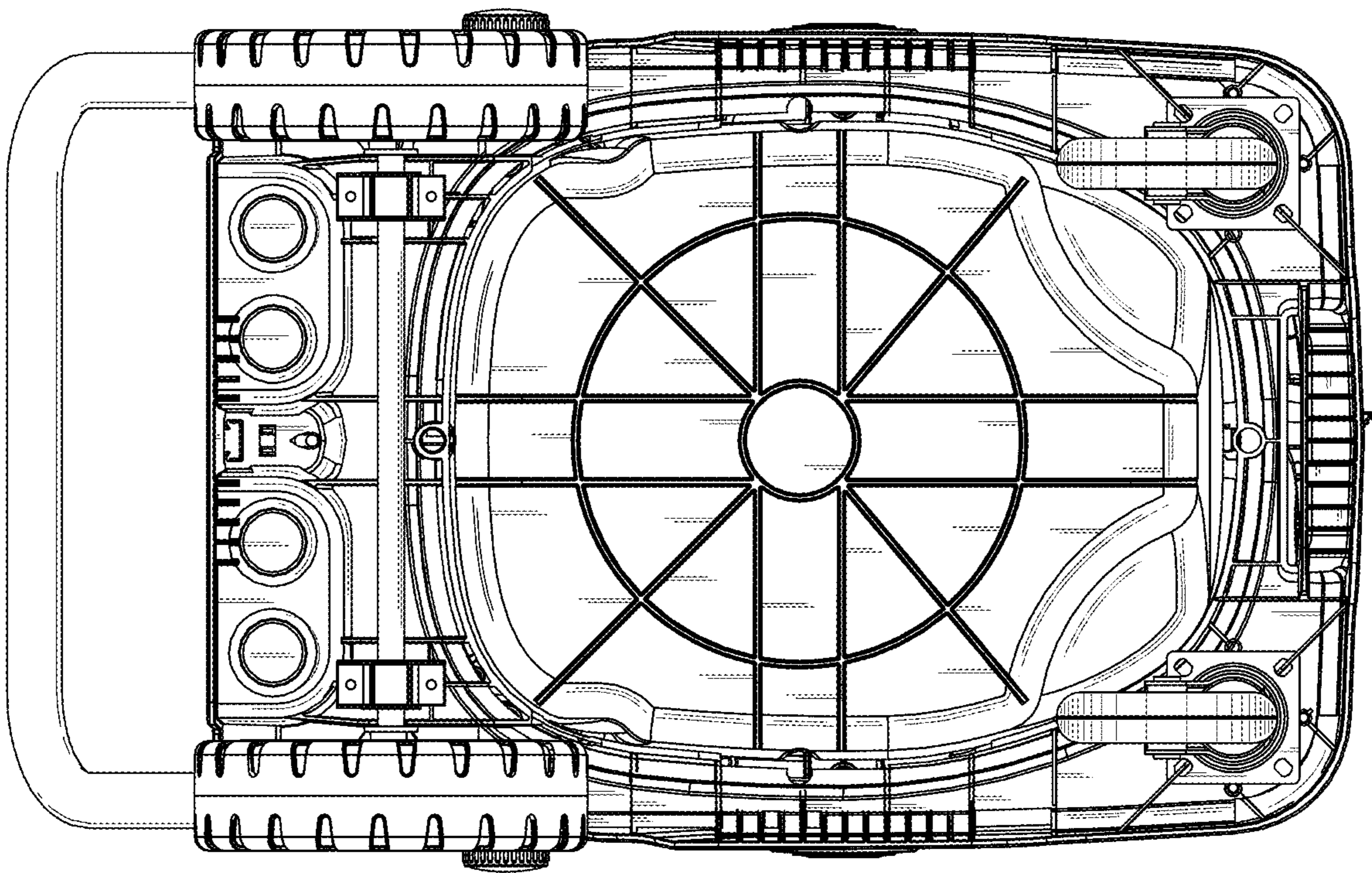


FIG. 9