



US00D947471S

(12) **United States Design Patent**  
**Yang et al.**

(10) **Patent No.:** **US D947,471 S**  
(45) **Date of Patent:** **\*\* Mar. 29, 2022**

(54) **PRESSURE WASHER**  
(71) Applicant: **GLOBE (JIANGSU) CO., LTD,**  
Jiangsu (CN)  
(72) Inventors: **Longfei Yang,** Jiangsu (CN); **Chris**  
**Eichel,** Jiangsu (CN)  
(73) Assignee: **Globe (Jiangsu) Co., Ltd,** Changzhou  
(CN)

D876,485 S \* 2/2020 Pauly ..... D15/9  
D879,394 S \* 3/2020 Kranzle ..... D32/16  
D883,333 S \* 5/2020 Boccato ..... D15/9  
D883,334 S \* 5/2020 Boccato ..... D15/9  
D883,335 S \* 5/2020 Boccato ..... D15/9  
2013/0175105 A1\* 7/2013 Gallazzini ..... B62D 11/12  
180/170  
2018/0133729 A1\* 5/2018 Masters ..... B05B 7/32  
2018/0272392 A1\* 9/2018 Jaramillo ..... G05D 23/1951  
2018/0290180 A1\* 10/2018 Luby ..... B08B 3/026  
2019/0009309 A1\* 1/2019 Rickey ..... B05B 9/007  
(Continued)

(\*\*) Term: **15 Years**

(21) Appl. No.: **29/734,822**

(22) Filed: **May 15, 2020**

(30) **Foreign Application Priority Data**

Nov. 26, 2019 (CN) ..... 201930653919.4

(51) **LOC (13) Cl.** ..... **15-05**

(52) **U.S. Cl.**  
USPC ..... **D32/16**

(58) **Field of Classification Search**  
USPC ..... D15/9; D32/8, 15, 16, 17  
CPC ..... B05B 9/0855; B05B 12/002; B05B 12/00;  
B05B 7/2472; B05B 9/007; B05B 7/32;  
B60K 17/06; B08B 3/026; B08B 13/00;  
A01B 59/064; F02N 11/0803; B62D  
11/12; G05D 23/1951

See application file for complete search history.

(56) **References Cited**

**U.S. PATENT DOCUMENTS**

D532,942 S \* 11/2006 Busschaert ..... D32/15  
7,316,286 B2\* 1/2008 Hillary ..... B05B 9/0855  
180/291  
D778,011 S \* 1/2017 Alexander ..... D32/16  
D779,744 S \* 2/2017 Weinberg ..... D32/16  
D779,745 S \* 2/2017 Weinberg ..... D32/16  
D779,746 S \* 2/2017 Weinberg ..... D32/16

**OTHER PUBLICATIONS**

Gas Pressure Washer [https://www.northerntool.com/shop/tools/product\\_200788683\\_200788683](https://www.northerntool.com/shop/tools/product_200788683_200788683) (Year: 2013).\*

(Continued)

*Primary Examiner* — Michelle E. Wilson  
*Assistant Examiner* — Richard E Yenchesky

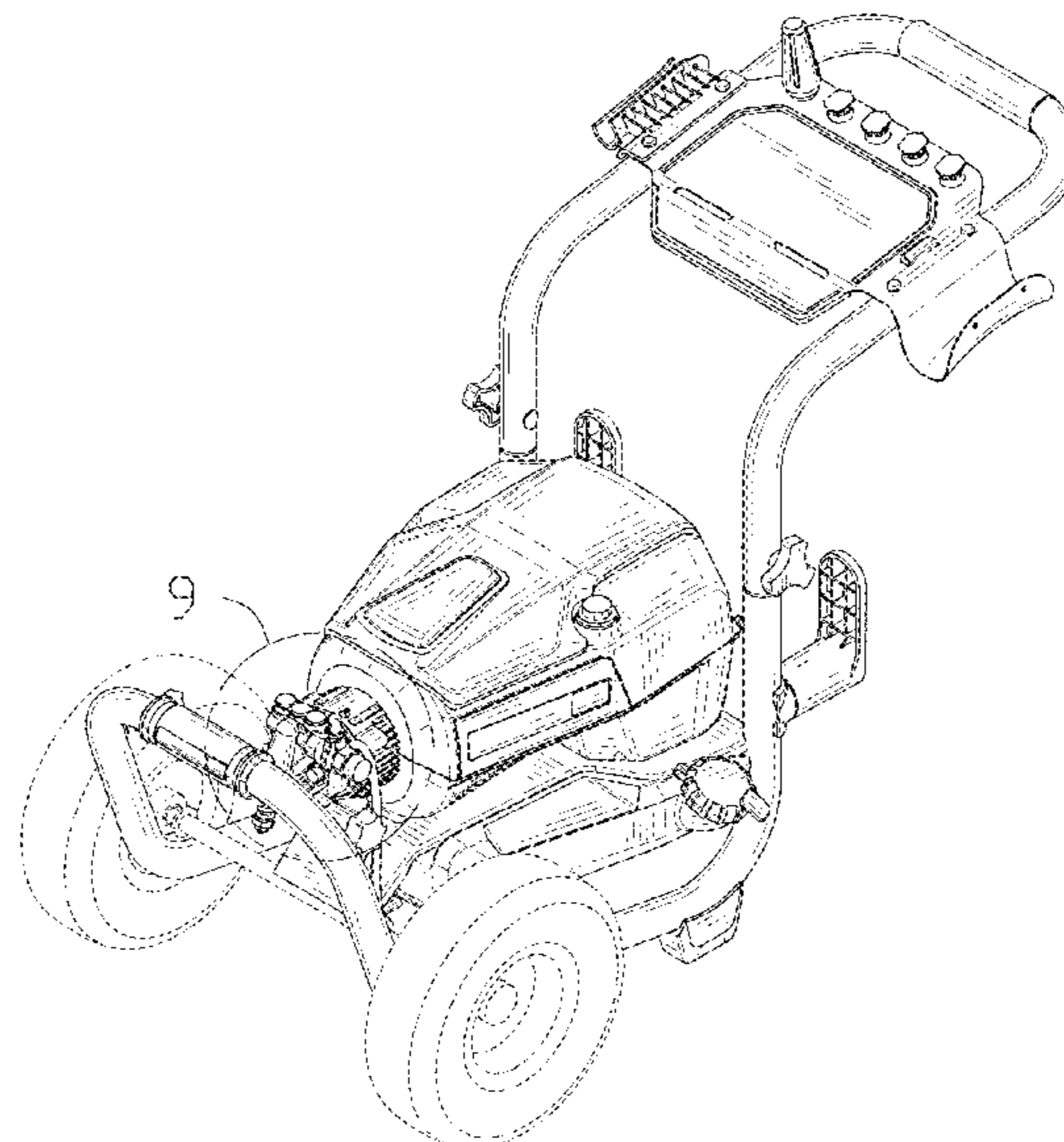
(57) **CLAIM**

The ornamental design for a pressure washer, as shown and described.

**DESCRIPTION**

FIG. 1 is a top, front and right side perspective view of a pressure washer showing our new design;  
FIG. 2 is a bottom, rear and left side perspective view thereof;  
FIG. 3 is a front elevational view thereof;  
FIG. 4 is a rear elevational view thereof;  
FIG. 5 is a left side view thereof;  
FIG. 6 is a right side view thereof;  
FIG. 7 is a top plan view thereof;  
FIG. 8 is a bottom plan view thereof; and,  
FIG. 9 is an enlarged view of portion 9 in FIG. 1.  
The broken lines in the drawings illustrate portions of the pressure washer which form no part of the claimed design.

**1 Claim, 9 Drawing Sheets**



(56)

**References Cited**

U.S. PATENT DOCUMENTS

2019/0015853 A1\* 1/2019 Johnson ..... B05B 7/2472  
2019/0210074 A1\* 7/2019 Chen ..... B05B 12/00  
2020/0001313 A1\* 1/2020 Bindl ..... B05B 12/002  
2020/0003172 A1\* 1/2020 Gilpatrick ..... B08B 3/02  
2021/0025321 A1\* 1/2021 Johnson ..... B62D 53/00  
2021/0078049 A1\* 3/2021 Nushart ..... B08B 13/00  
2021/0178417 A1\* 6/2021 Haglof ..... B05B 9/0403  
2021/0270224 A1\* 9/2021 Alexander ..... F02N 11/0862

OTHER PUBLICATIONS

Electric High Pressure Washer [https://www.alibaba.com/pla/Electric-High-Pressure-Washer-3600PSI-For\\_60730687070.html](https://www.alibaba.com/pla/Electric-High-Pressure-Washer-3600PSI-For_60730687070.html) (Year: 2021).\*  
Simpson Pressure Washer <https://www.tractorsupply.com/tsc/product/simpson-clean-machine-3200-psi-at-24-gpm-simpson-196cc-cold-water-gas-pressure-washer-61082> (Year: 2021).\*

\* cited by examiner

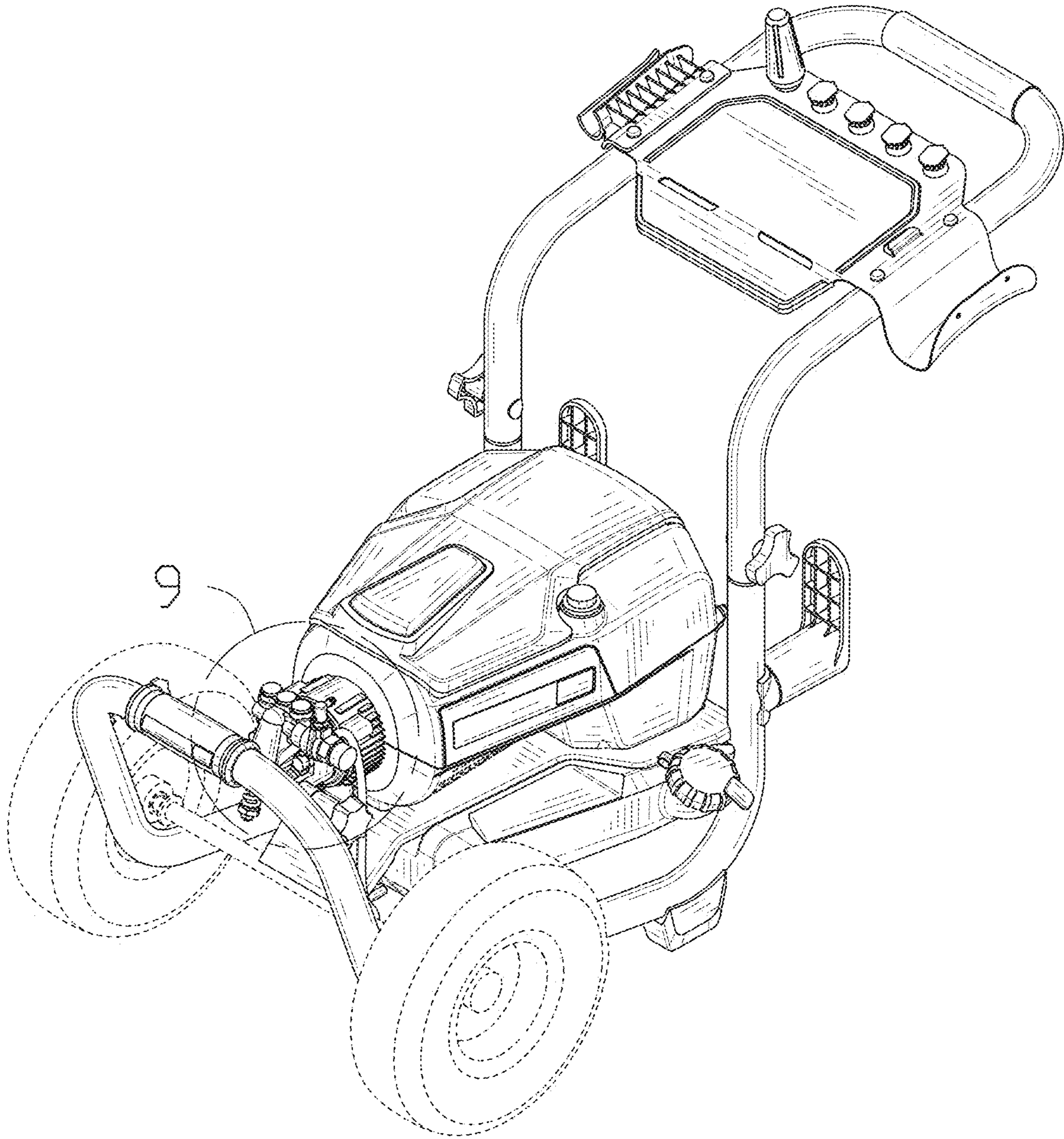


FIG. 1

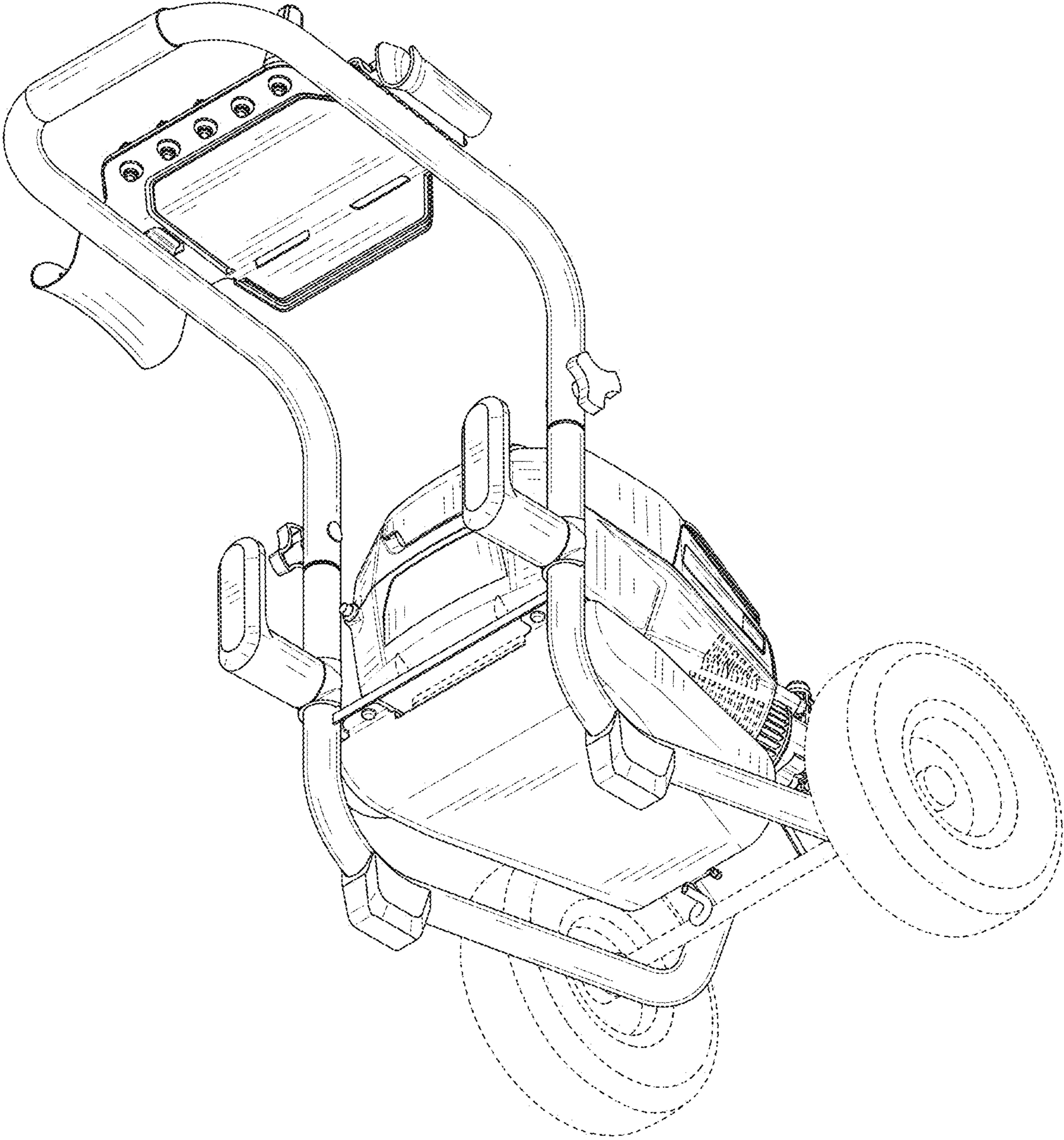


FIG. 2

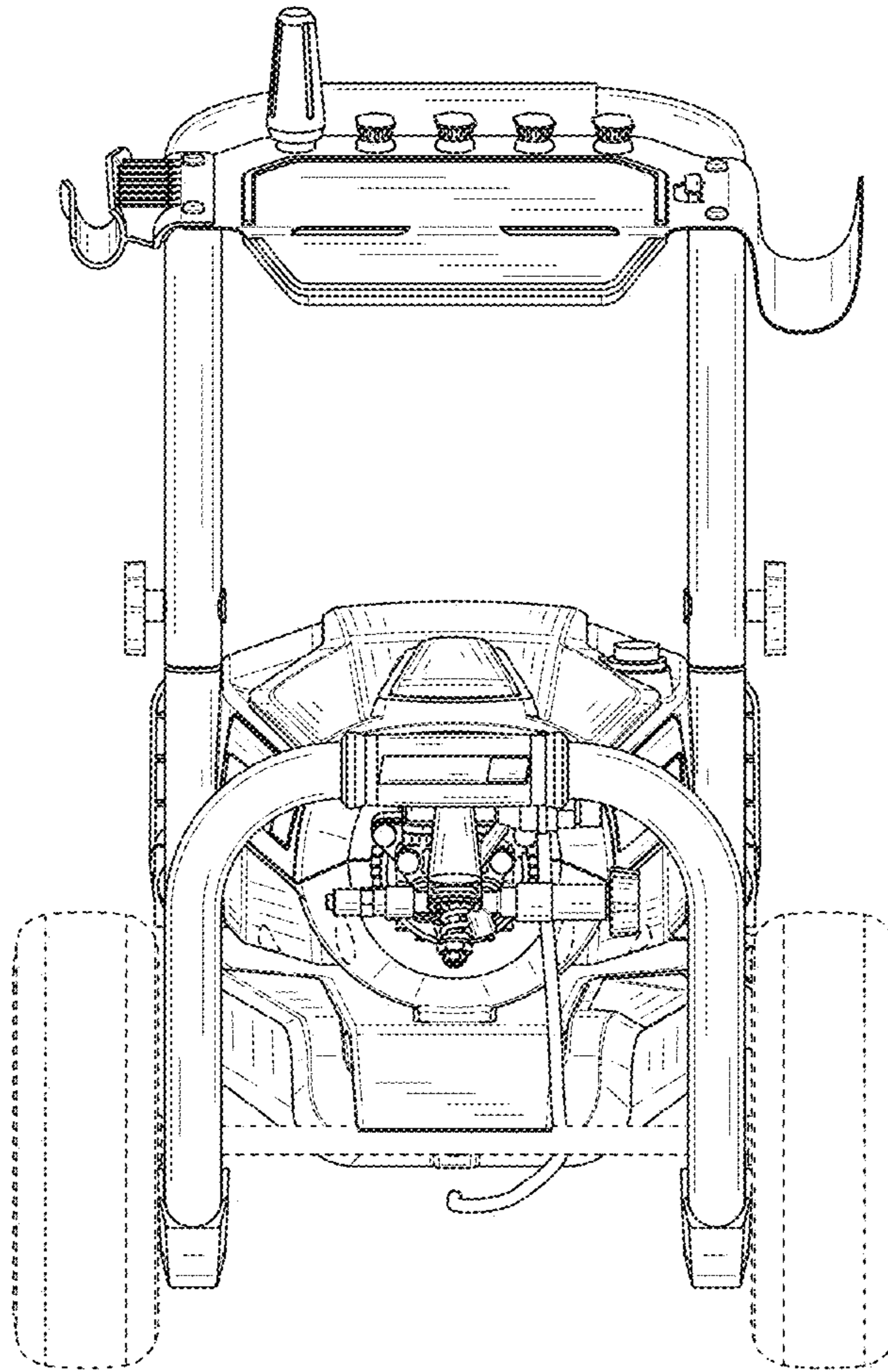


FIG. 3

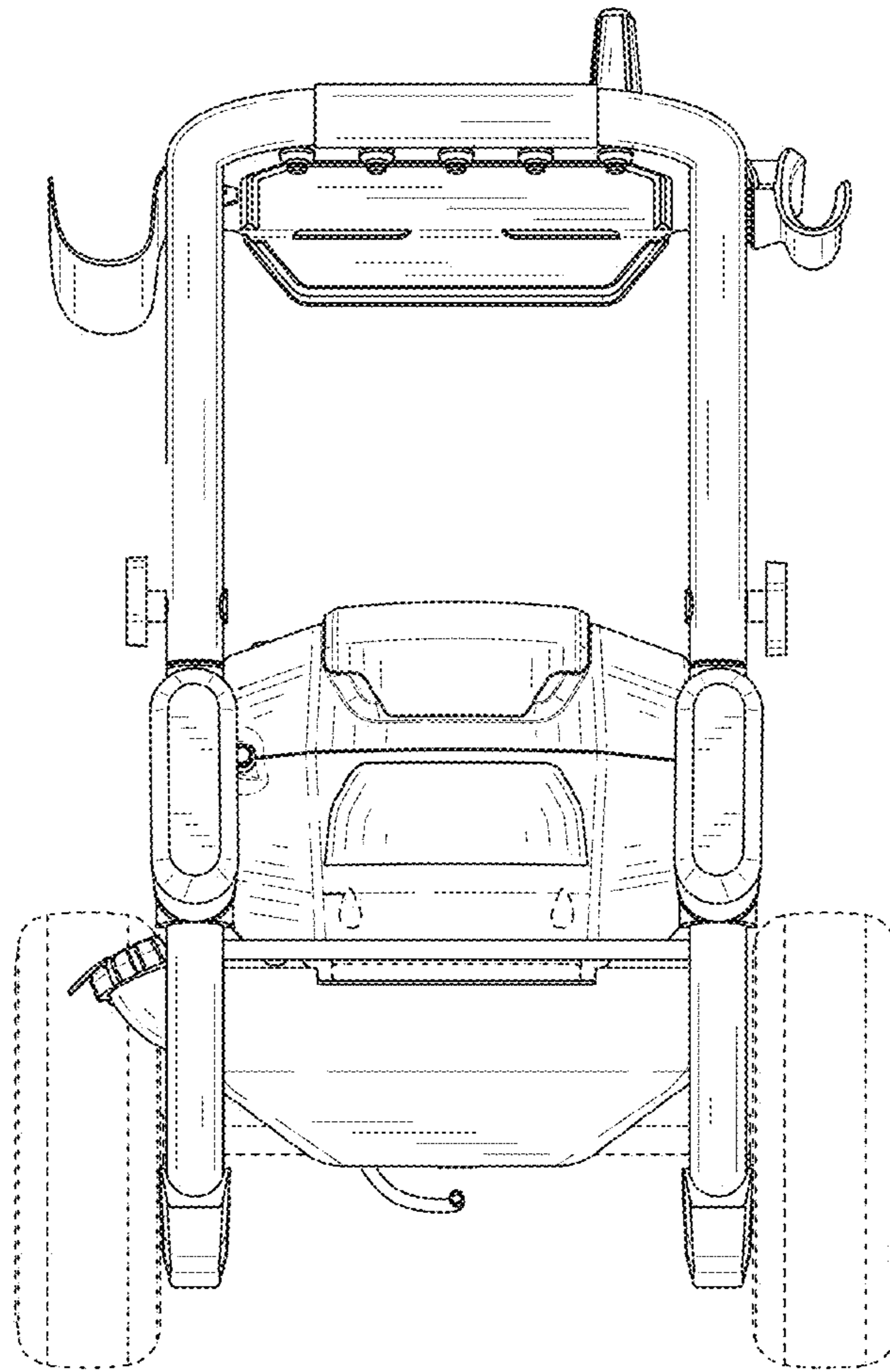


FIG. 4

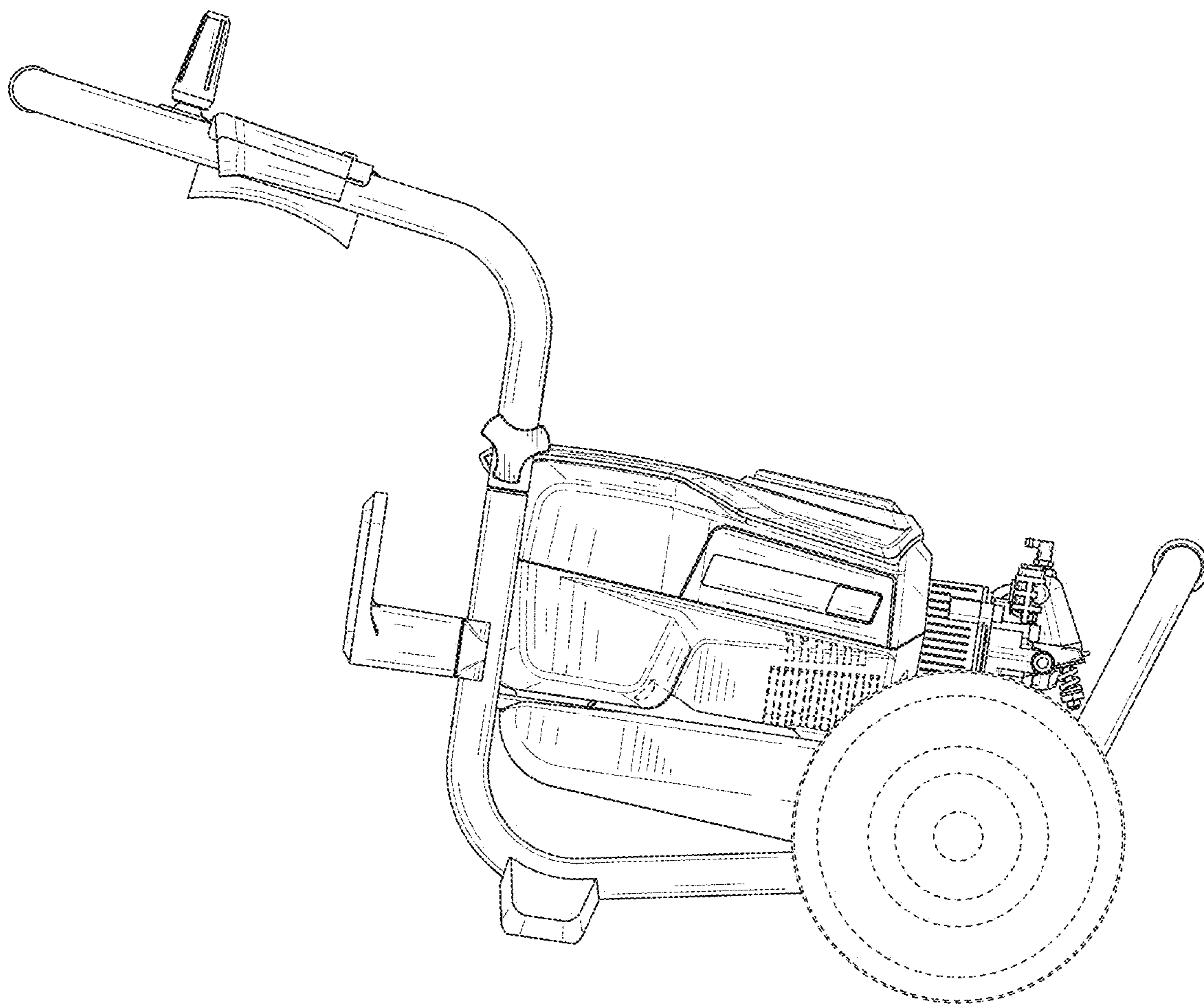


FIG. 5

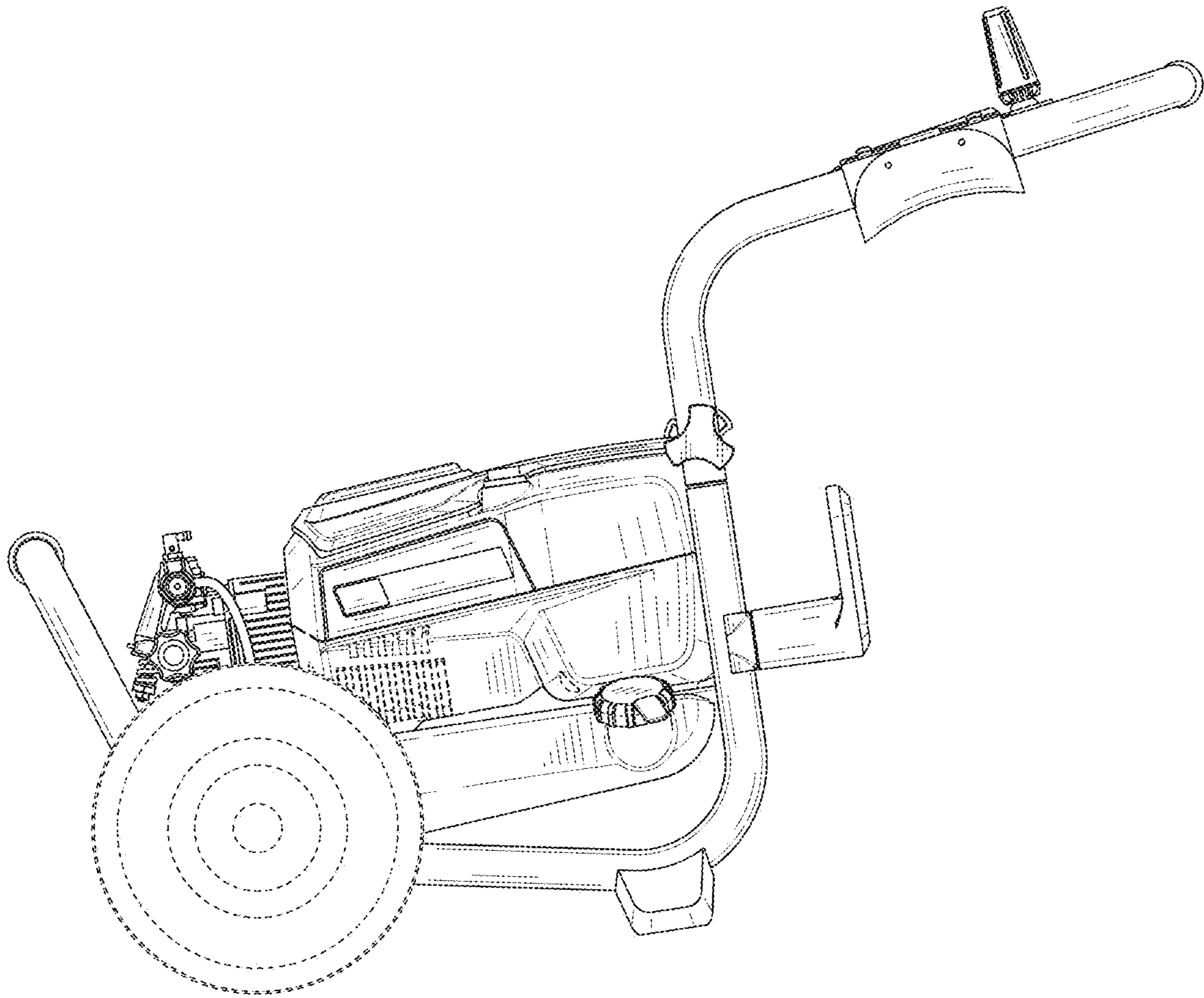


FIG. 6



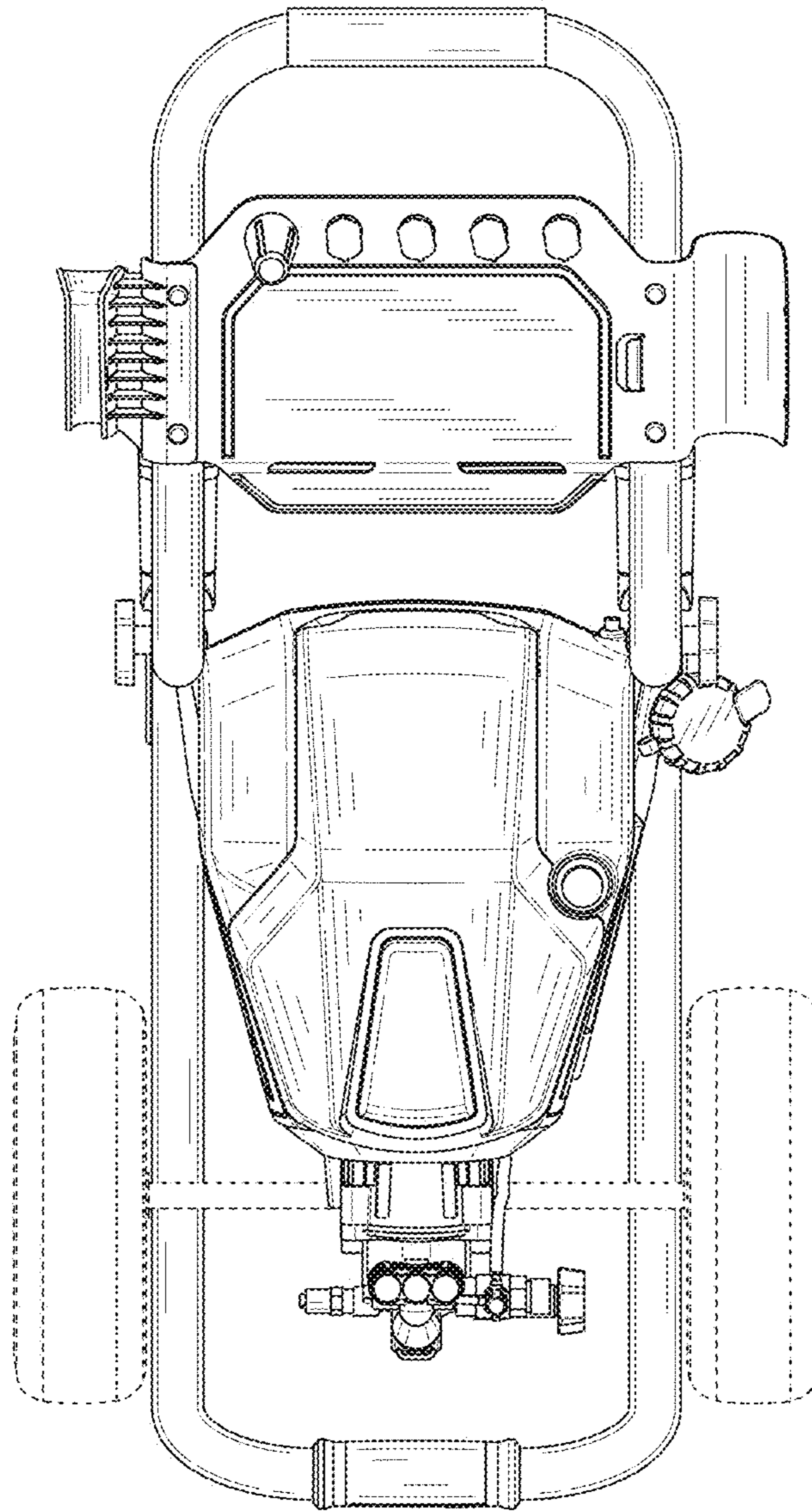


FIG. 7

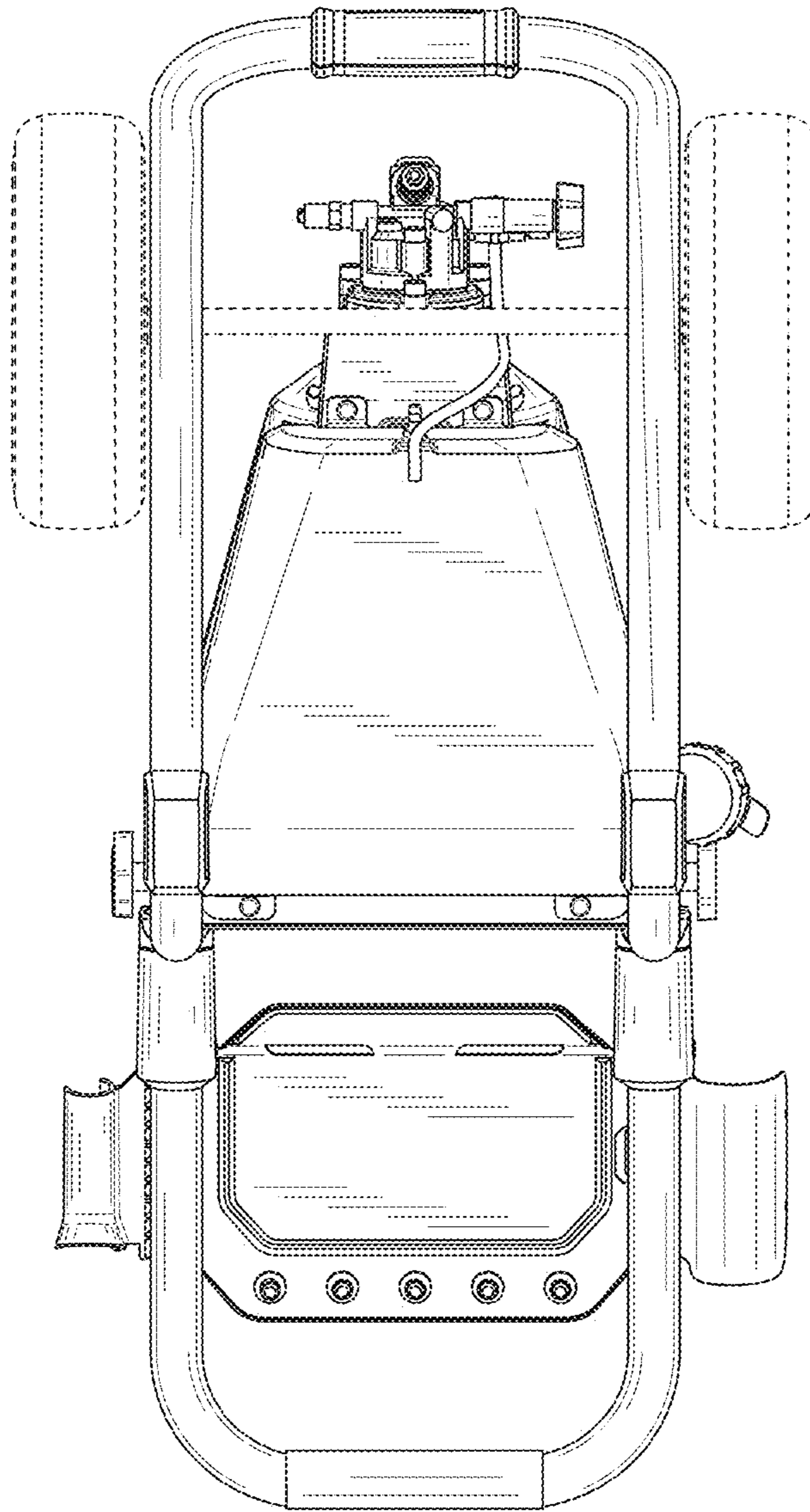


FIG. 8

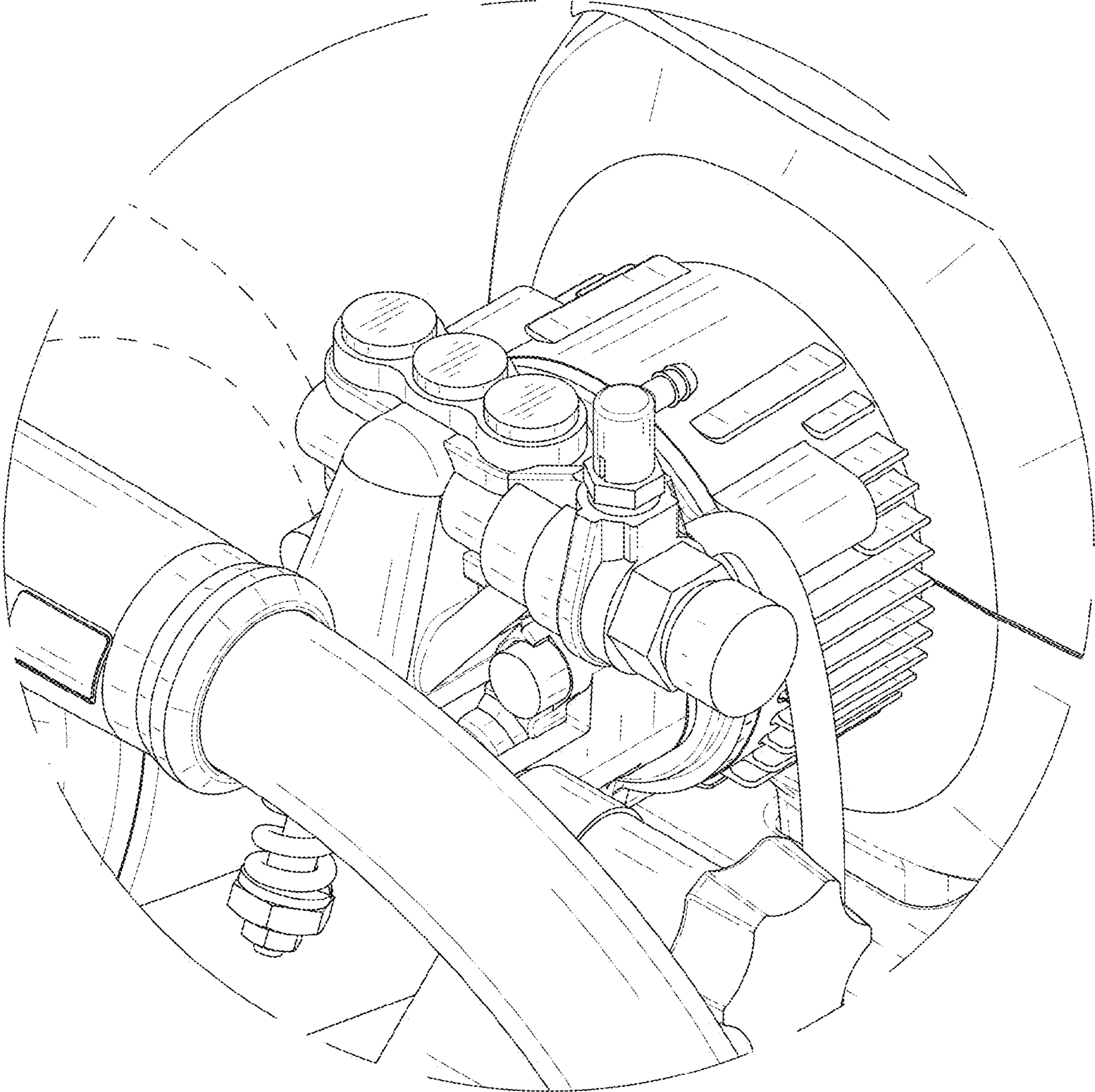


FIG. 9