



US00D947470S

(12) **United States Design Patent**  
**Dai**

(10) **Patent No.:** **US D947,470 S**  
(45) **Date of Patent:** **\*\* Mar. 29, 2022**

(54) **BARK CONTROL DEVICE**

(71) Applicant: **Shenzhen Xuanyu Xing Technology Co., Ltd.**, Guangdong (CN)

(72) Inventor: **Lirong Dai**, Guangdong (CN)

(73) Assignee: **Shenzhen Xuanyu Xing Technology Co., Ltd.**, Shenzhen (CN)

(\*\*) Term: **15 Years**

(21) Appl. No.: **29/746,039**

(22) Filed: **Aug. 11, 2020**

(51) **LOC (13) Cl.** ..... **30-99**

(52) **U.S. Cl.**  
USPC ..... **D30/199**; D10/104.1

(58) **Field of Classification Search**  
USPC ..... D30/144, 151, 152, 153, 155, 156, 199;  
D10/104.1, 104.2, 105, 116.1; D14/137;  
119/712, 714, 716, 717, 718, 719, 720,  
119/722

CPC ..... A01K 15/02; A01K 15/022  
See application file for complete search history.

(56) **References Cited**

**U.S. PATENT DOCUMENTS**

D795,111 S \* 8/2017 Zhang ..... D10/106.1  
D800,702 S \* 10/2017 Muller ..... D14/218  
D839,987 S \* 2/2019 Dai ..... D22/120

**FOREIGN PATENT DOCUMENTS**

EM 008100325-0001 \* 9/2020  
GB 008100325-0001 \* 8/2020

**OTHER PUBLICATIONS**

“VEARMOAD Ultrasonic Dog Barking Deterrent Devices” available Sep. 4, 2020, [online], [site visited Nov. 16, 2021]. Retrieved from Internet, URL:https://www.amazon.com/VEARMOAD-Ultrasonic-Deterrent-Rechargeable-Adjustable/dp/B08HH7WSQR (Year: 2020).\*

\* cited by examiner

*Primary Examiner* — W. A. Teddy Falloway

*Assistant Examiner* — Katrina N Gonzalez

(74) *Attorney, Agent, or Firm* — Wayne IP LLC

(57) **CLAIM**

The ornamental design for a bark control device, as shown and described.

**DESCRIPTION**

FIG. 1 is a perspective view of bark control device, showing my new design.

FIG. 2 is another perspective view thereof;

FIG. 3 is a front elevation view thereof;

FIG. 4 is a back elevation view thereof;

FIG. 5 is a left side view thereof;

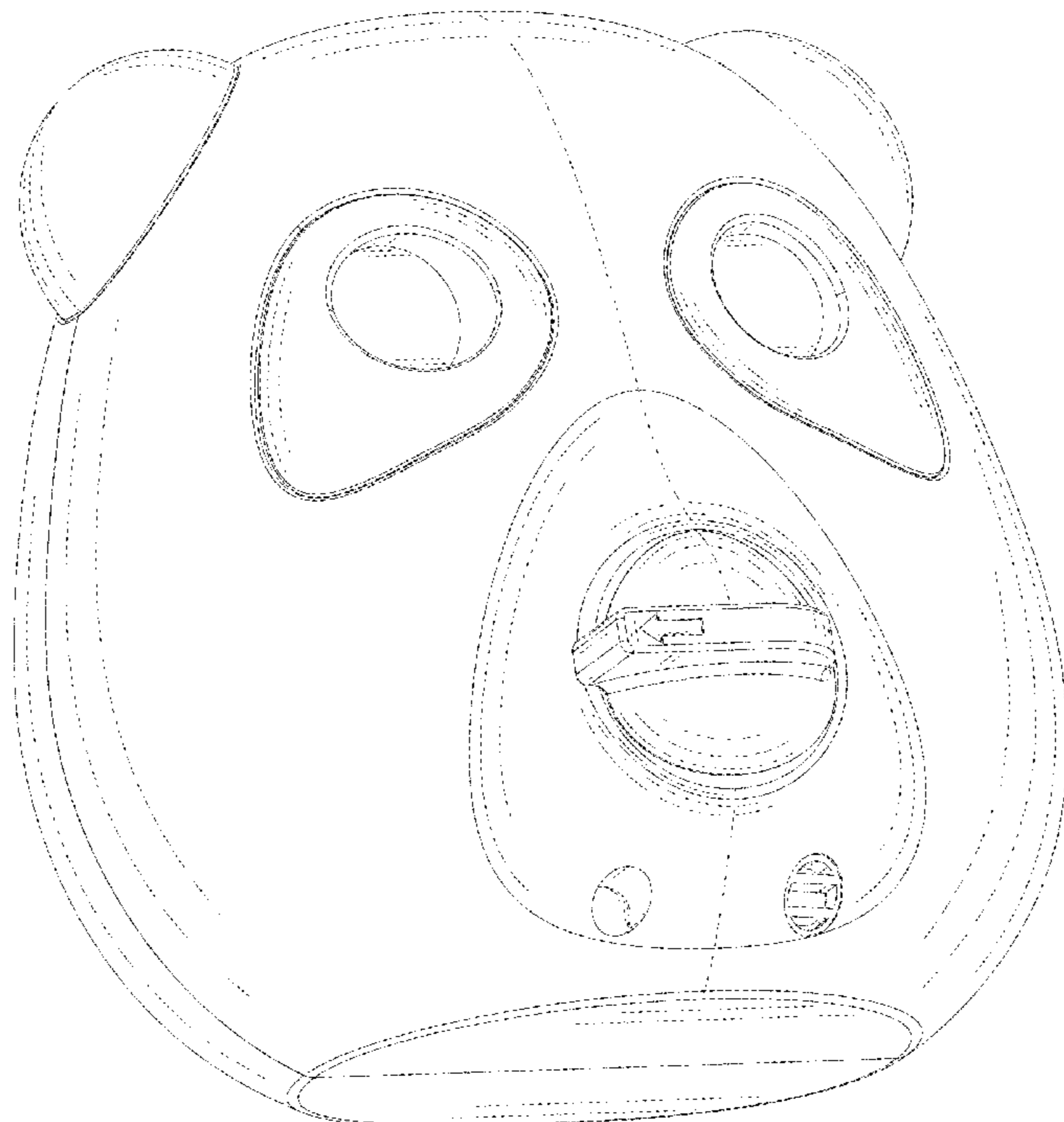
FIG. 6 is a right side view thereof;

FIG. 7 is a top plan view thereof; and,

FIG. 8 is a bottom plan view thereof.

The broken lines illustrate portions of the bark control device that form no part of the claimed design.

**1 Claim, 8 Drawing Sheets**



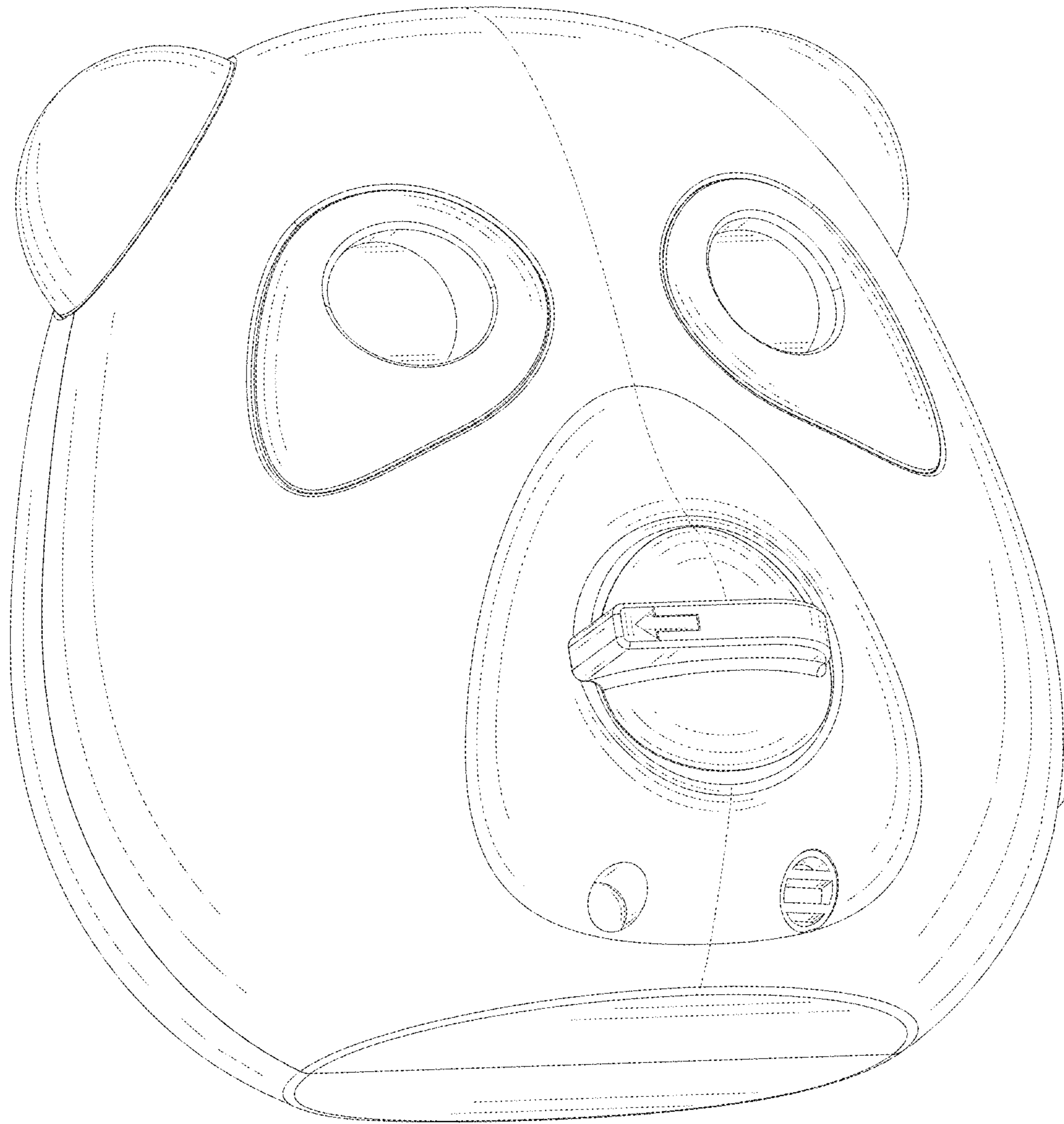


FIG. 1

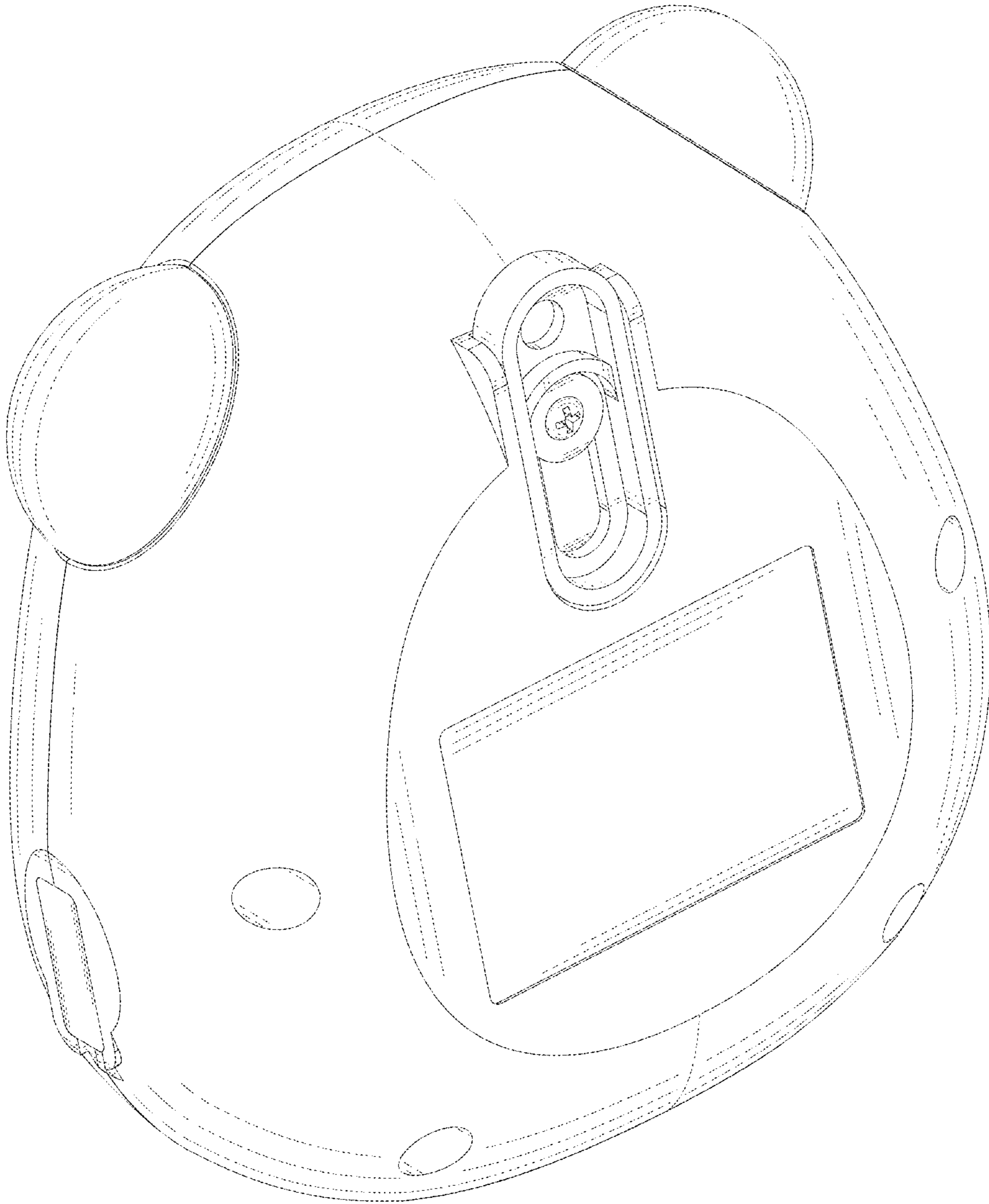


FIG. 2



FIG. 3

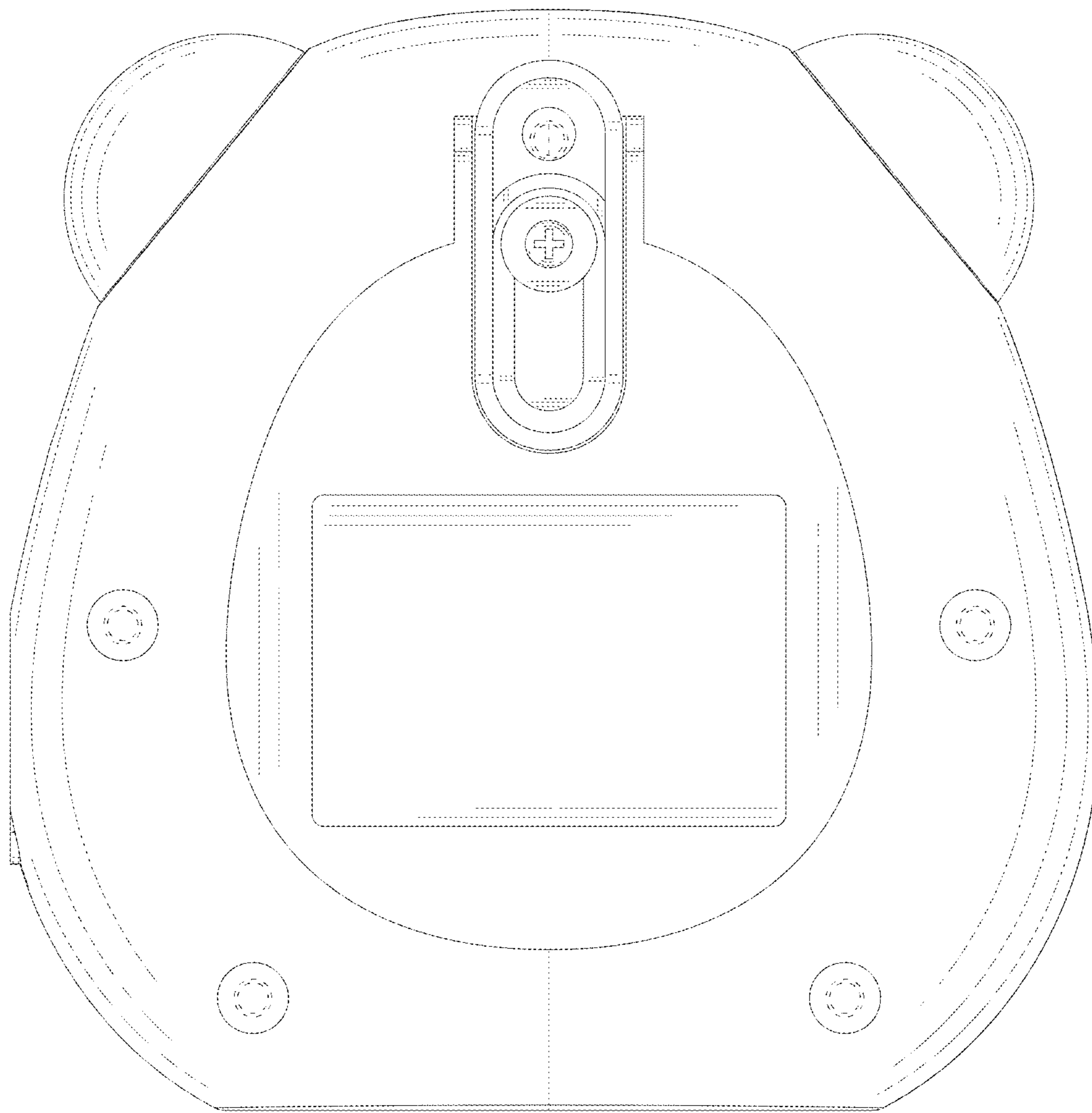


FIG. 4

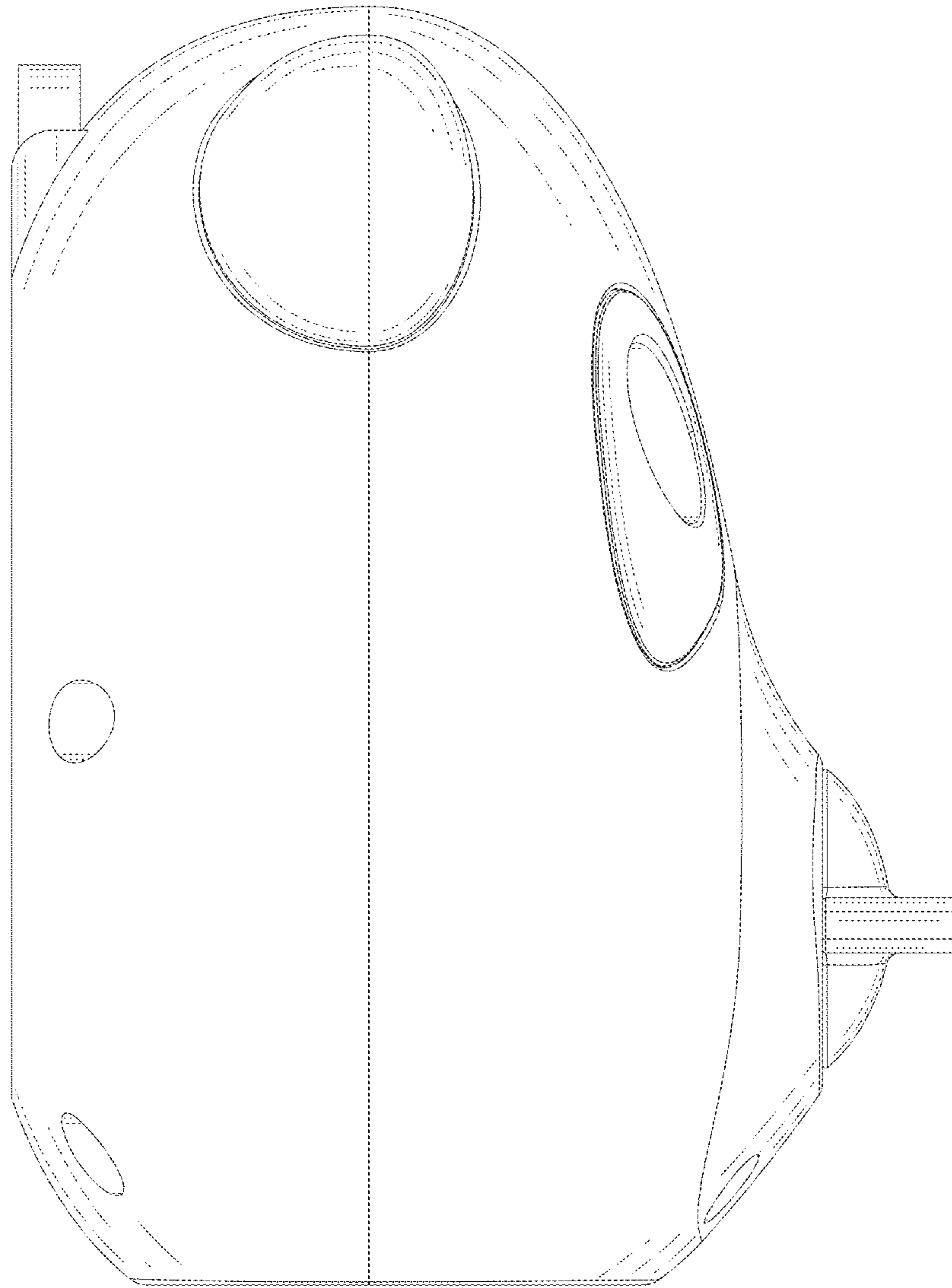


FIG. 5

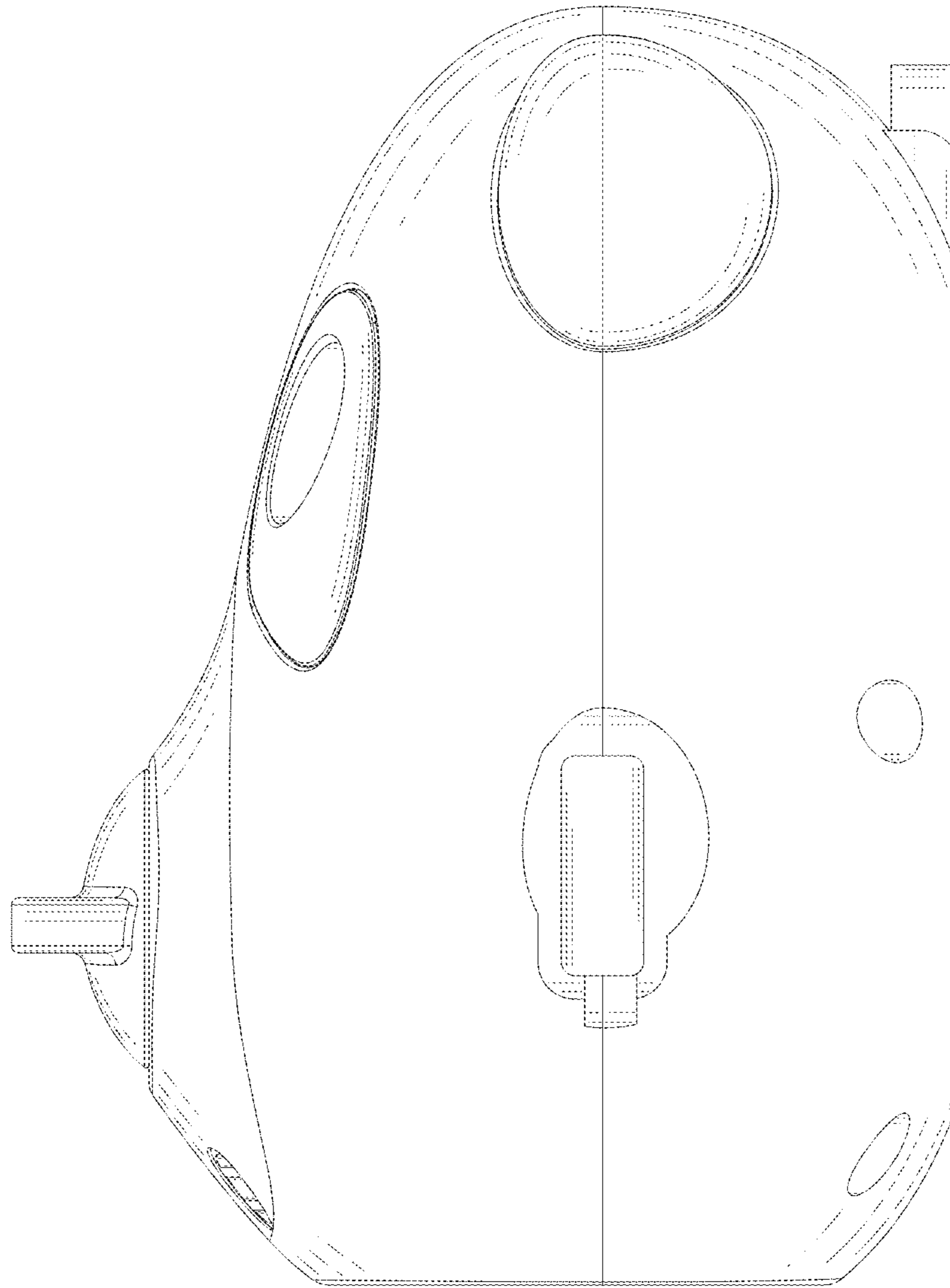


FIG. 6

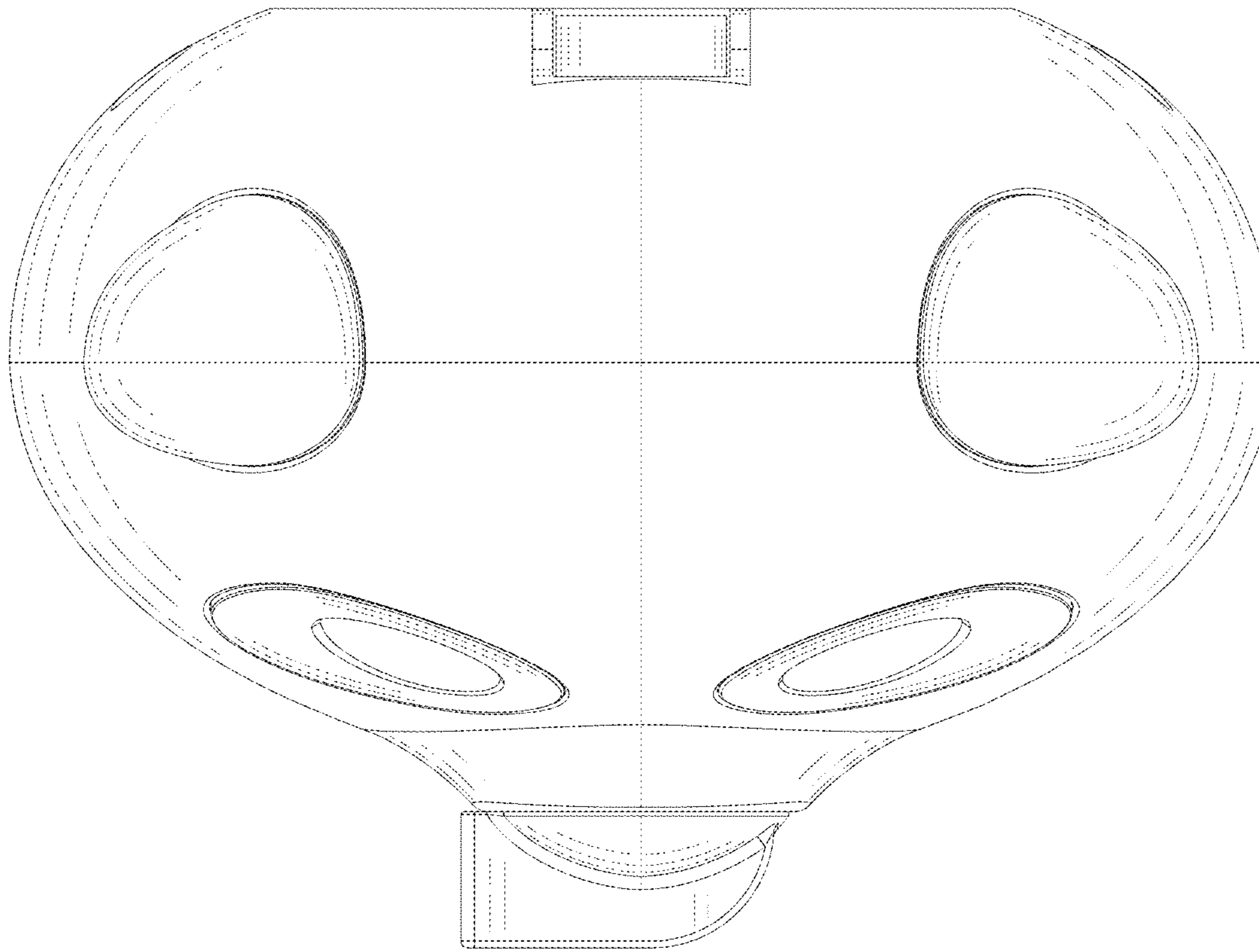


FIG. 7



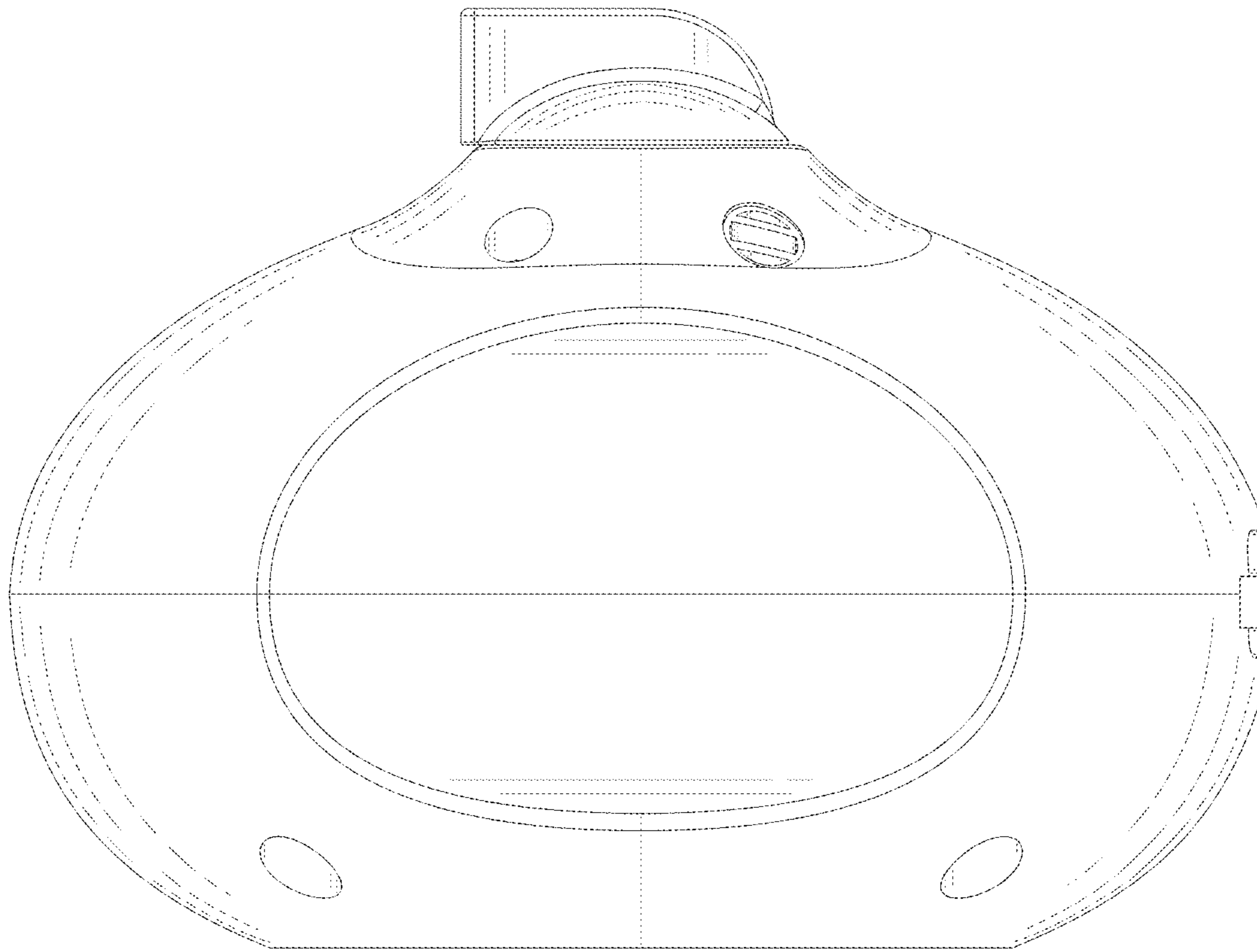


FIG. 8