



US00D947468S

(12) **United States Design Patent** (10) **Patent No.:** **US D947,468 S**  
**Ritchey** (45) **Date of Patent:** **\*\* Mar. 29, 2022**

(54) **EAR TAG COMPONENT**  
(71) Applicant: **Craig E. Ritchey**, Brighton, CO (US)  
(72) Inventor: **Craig E. Ritchey**, Brighton, CO (US)  
(\*\*) Term: **15 Years**  
(21) Appl. No.: **29/648,756**  
(22) Filed: **May 23, 2018**  
(51) **LOC (13) Cl.** ..... **30-08**  
(52) **U.S. Cl.**  
USPC ..... **D30/155**  
(58) **Field of Classification Search**  
USPC ..... D30/155, 199; D10/106.9, 106.91,  
D10/106.92  
CPC .... A01K 11/00; A01K 11/001; A01K 11/004;  
A01K 11/006; A01K 11/008; A01K  
11/002  
See application file for complete search history.

4,612,877 A 9/1986 Hayes et al.  
4,613,847 A 9/1986 Scolari et al.  
4,635,389 A 1/1987 Oudelette  
4,646,455 A 3/1987 Gardner  
4,696,119 A 9/1987 Howe et al.  
4,718,374 A 1/1988 Hayes  
4,741,117 A 5/1988 Fearing  
(Continued)

**FOREIGN PATENT DOCUMENTS**

BR 201816966 2/2019  
CA 2738425 9/2013  
(Continued)

**OTHER PUBLICATIONS**

CCK Outfitters the Ear Tag Co, We specialize in Custom Ear Tags,  
<https://www.cckouffitters.com>, May 9, 2018, 10 pages.  
(Continued)

*Primary Examiner* — Michael C Stout  
*Assistant Examiner* — Katrina N Gonzalez  
(74) *Attorney, Agent, or Firm* — Wiedmann Law LLC

(56) **References Cited**

**U.S. PATENT DOCUMENTS**

3,595,201 A \* 7/1971 Oudenhoven ..... A01K 11/001  
40/301  
3,942,480 A \* 3/1976 Hair ..... A01K 11/001  
119/655  
3,958,353 A 5/1976 Hayes  
D241,539 S 9/1976 Iverson  
4,102,073 A 7/1978 Hayes  
4,209,924 A 7/1980 Fearing  
4,250,643 A 2/1981 Mackenzie  
4,365,436 A 12/1982 Ritchey  
D270,673 S 9/1983 Erdmann  
4,451,999 A 6/1984 Yvorra  
D279,318 S \* 6/1985 Dvorak ..... 40/301  
D279,414 S \* 6/1985 Dvorak ..... 40/301  
4,579,085 A 4/1986 McGuire  
4,581,834 A 4/1986 Zatkos et al.  
4,597,208 A \* 7/1986 Chevillot ..... A01K 11/001  
40/301

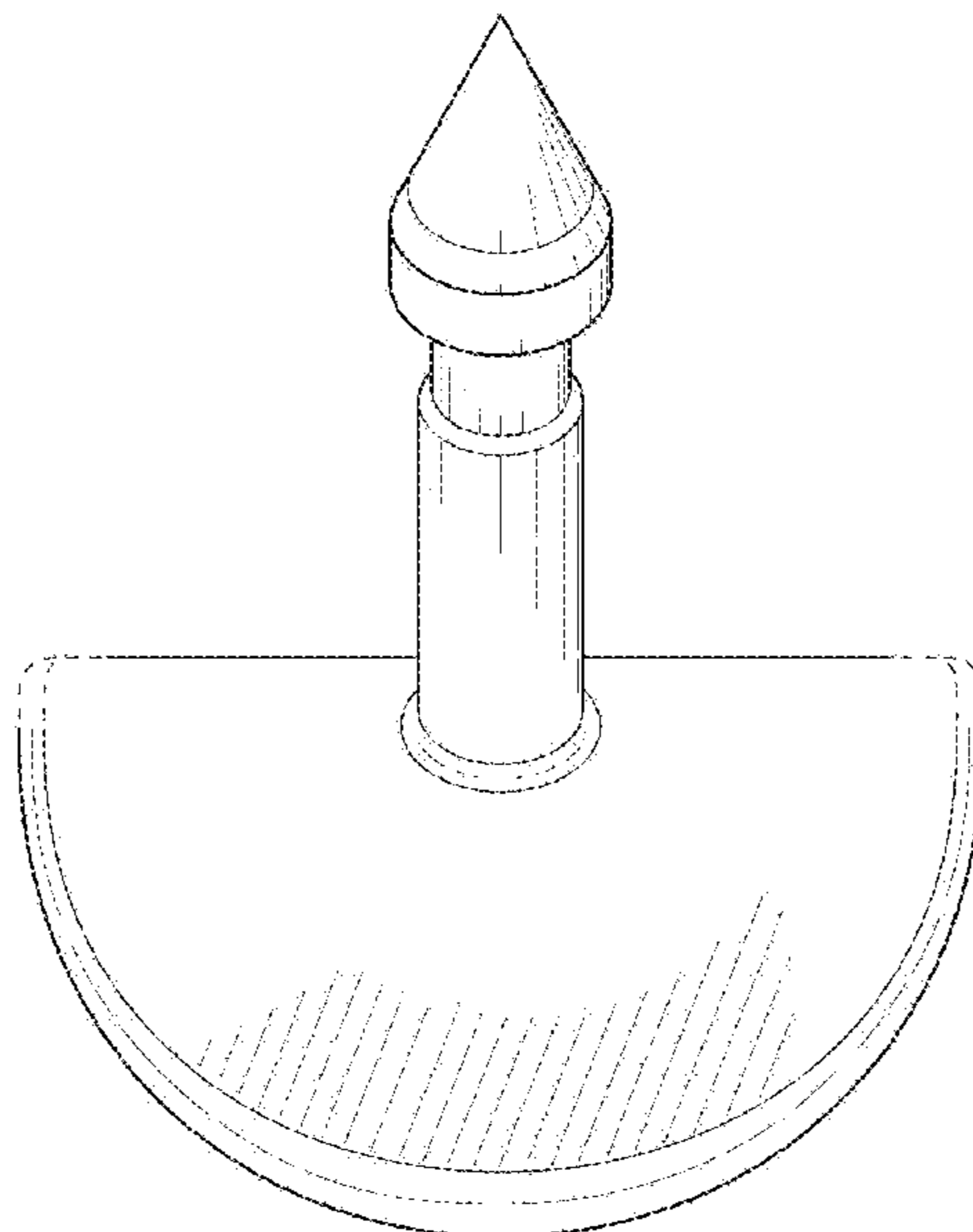
(57) **CLAIM**

The ornamental design for an ear tag component, as shown and described.

**DESCRIPTION**

FIG. 1 is a perspective view of an ear tag component;  
FIG. 2 is a front view of an ear tag component;  
FIG. 3 is a rear view of an ear tag component;  
FIG. 4 is a left-side view of an ear tag component;  
FIG. 5 is a right-side view of an ear tag component;  
FIG. 6 is a top plan view of an ear tag component; and,  
FIG. 7 is a bottom plan view of an ear tag component.  
The broken lines illustrate portions of the ear tag component that form no part of the claimed design.

**1 Claim, 4 Drawing Sheets**



(56)

References Cited

U.S. PATENT DOCUMENTS

4,748,757 A \* 6/1988 Howe ..... A01K 11/001  
40/301

4,750,284 A 6/1988 Parry et al.

4,854,328 A 8/1989 Pollack

D303,766 S 10/1989 Delbanco

4,953,313 A 9/1990 Scott

D312,423 S 11/1990 Orlinsky et al.

5,016,369 A 5/1991 Parry

5,076,437 A 12/1991 Schindler

D325,268 S \* 4/1992 Wittick ..... D30/155

5,152,249 A 10/1992 Howe

D339,996 S 10/1993 Rattley

5,308,351 A 5/1994 Nehls

5,349,920 A 9/1994 Koizumi

D353,165 S 12/1994 LeMarr et al.

5,461,805 A 10/1995 Johnson

5,643,284 A 7/1997 Hicks

D383,167 S \* 9/1997 Carlson ..... D20/22

D384,444 S \* 9/1997 Andrews ..... D30/155

D390,275 S 2/1998 Wolff

5,725,261 A 3/1998 Rahn

5,862,599 A 1/1999 Johnson, Jr. et al.

6,055,752 A 5/2000 Ritchey

D427,438 S 7/2000 Dudek

6,098,324 A 8/2000 Nepote

D433,231 S 11/2000 Kaplan

D460,012 S 7/2002 Proulx et al.

D460,350 S 7/2002 Davis

6,497,062 B1 12/2002 Koopman et al.

6,509,187 B2 1/2003 Brem

D474,417 S 5/2003 Belden, Jr. et al.

6,907,684 B2 6/2005 Volk et al.

D519,687 S 4/2006 Zahav

D582,711 S 12/2008 Berry

D598,429 S 8/2009 Nakatani

D601,884 S 10/2009 Andre et al.

7,690,141 B2 4/2010 Steinfort et al.

D616,738 S 6/2010 Andre et al.

7,779,566 B2 8/2010 Kassouni

7,937,861 B1 5/2011 Zacher

D640,227 S 6/2011 Wada

8,099,884 B2 1/2012 van Wijk et al.

D670,196 S 11/2012 Dunn

8,398,652 B2 3/2013 Ritchey et al.

D679,458 S \* 4/2013 Decaluwe ..... D30/155

D683,192 S 5/2013 Schwartz et al.

8,486,088 B2 7/2013 Ritchey et al.

D688,920 S 9/2013 Manley et al.

D698,682 S 2/2014 Kosloski

8,701,317 B2 4/2014 Le Devehat et al.

D707,550 S 6/2014 Limback

D747,888 S 1/2016 Olson et al.

D758,741 S 6/2016 Sussman

D758,905 S 6/2016 Evans

D853,664 S \* 7/2019 Ritchey ..... D30/155

D908,982 S \* 1/2021 Candy ..... D30/155

2002/0107127 A1 8/2002 Buisson et al.

2003/0221344 A1 12/2003 Volk et al.

2004/0144004 A1 7/2004 Constatini

2004/0199116 A1 10/2004 Trompen et al.

2007/0006494 A1 1/2007 Hayes et al.

2007/0057085 A1 \* 3/2007 Trompen ..... A01K 27/007  
239/36

2007/0199215 A1 \* 8/2007 Gardner ..... A01K 11/004  
40/301

2008/0034626 A1 2/2008 Brem et al.

2008/0222930 A1 9/2008 Pennington et al.

2008/0250682 A1 10/2008 Costantini et al.

2010/0325926 A1 12/2010 Hilpert et al.

2011/0088295 A1 \* 4/2011 Ibsen ..... A61B 17/3468  
40/301

2016/0192622 A1 7/2016 Yeum

2018/0020641 A1 \* 1/2018 Holman ..... A01K 15/029  
119/822

2018/0027765 A1 \* 2/2018 Butler ..... A01K 11/001

2020/0164193 A1 \* 5/2020 Williams ..... A01K 11/001

2021/0185979 A1 \* 6/2021 Jones ..... A01K 11/004

FOREIGN PATENT DOCUMENTS

CA 184691 \* 11/2019

EP 005830965-0001 11/2018

MX 58801 10/2020

NZ 425350 1/2019

OTHER PUBLICATIONS

CCK Outfitters, Y-TEX Ear Tags, <https://www.cckouffitters.com/collections/y-tex-ear-tags>, May 9, 2018, 11 pages.

Ritchey Livestock Products, Tag Marking Pen—Ritchey Tags Accessories, <https://ritcheytags.com/product/tag-marking-pen/>, May 9, 2018, 3 pages.

CCK Outfitters the Ear Tag Co, We specialize in Custom Ear Tags, <https://www.cckoutfitters.com>, May 9, 2018, 10 pages.

CCK Outfitters, Y-TEX Ear Tags, <https://www.cckoutfitters.com/collections/y-tex-ear-tags>, May 9, 2018, 11 pages.

Nifty Ritchey Ear Tags, <http://niftylivestockequip.com/ritchey.html>, May 9, 2018, 1 page.

Ritchey Livestock Products, Products—Ritchey Tags, <https://ritcheytags.com/products>, May 9, 2018, 2 pages.

Ritchey Livestock Products, Universal Dual Colored Tags—Ritchey Tags, <https://ritcheytags.com/products/ear-tags/universal-dual-colored-tags/>, May 9, 2018, 2 pages.

Ritchey Livestock Products, One-Piece Curved Arrowhead Dual Colored—Ritchey Tags, <https://ritcheytags.com/products/ear-tags/one-piece-curved-arrowhead-dual-colored/>, May 9, 2018, 2 pages.

Ritchey Livestock Products, Flat Arrowhead Dual Colored Tags—Ritchey Tags, <https://ritcheytags.com/products/ear-tags/flat-arrowhead-dual-colored-tags/>, May 9, 2018, 2 pages.

Ritchey Livestock Products, Write-On Tags—Ritchey Tags, <https://ritcheytags.com/products/ear-tags/write-on-tags/>, May 9, 2018, 2 pages.

Ritchey Livestock Products, Y-TEX Button—Ritchey Tags Accessories, <https://ritcheytags.com/product/y-tex-button/>, May 9, 2018, 3 pages.

Ritchey Livestock Products, Y-TEX Ultra Tagger—Ritchey Tags Accessories, <https://ritcheytags.com/product/y-tex-ultra-tagger/>, May 9, 2018, 3 pages.

Ritchey Livestock Products, Y-TEX Compact Tagger—Ritchey Tags Accessories, <https://ritcheytags.com/product/y-tex-compact-tagger/>, May 9, 2018, 3 pages.

Ritchey Livestock Products, Y-TEX Tagger Tool Pin—Ritchey Tags Accessories, <https://ritcheytags.com/product/y-tex-tagger-tool-pin/>, May 9, 2018, 3 pages.

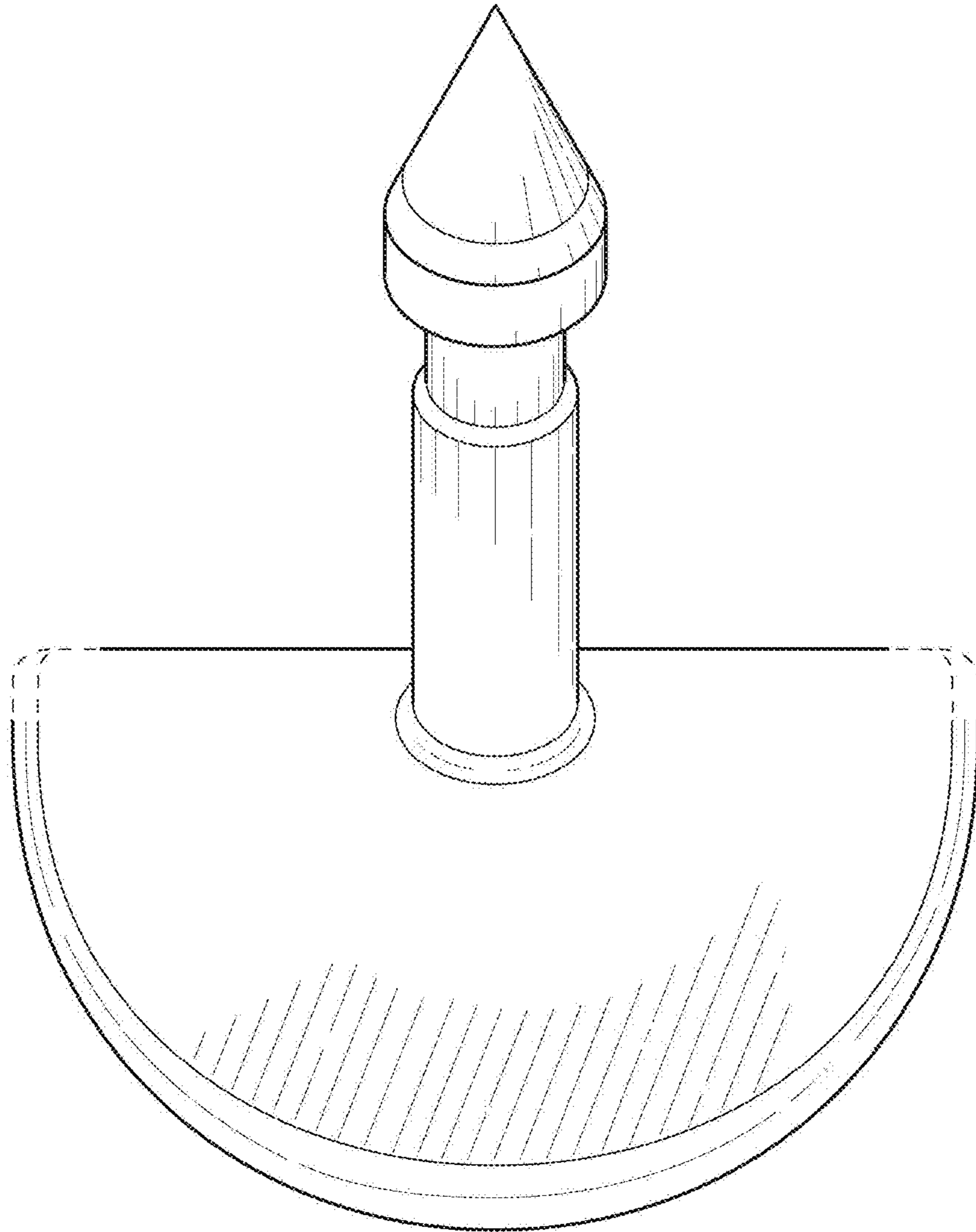
Ritchey Livestock Products, Tag Marking Pen—Ritchey Tags Accessories, <https://ritcheytags.com/product/tag-marking-pen/>, May 9, 2018, 3 pages.

Ritchey Livestock Products, Standard Arrowhead Installing Tool—Ritchey Tags Accessories, <https://ritcheytags.com/product/standard-arrowhead-installing-tool/>, May 9, 2018, 3 pages.

Ritchey Livestock Products, Leather Sheath for Installing Tool—Ritchey Tags Accessories, <https://ritcheytags.com/product/leather-sheath-installing-tool/>, May 9, 2018, 3 pages.

Design U.S. Appl. No. 29/615,600, filed Aug. 30, 2017, first Named Inventor: Ritchey. Notice of Allowance dated Mar. 11, 2019. 12 pages.

\* cited by examiner



**FIG. 1**

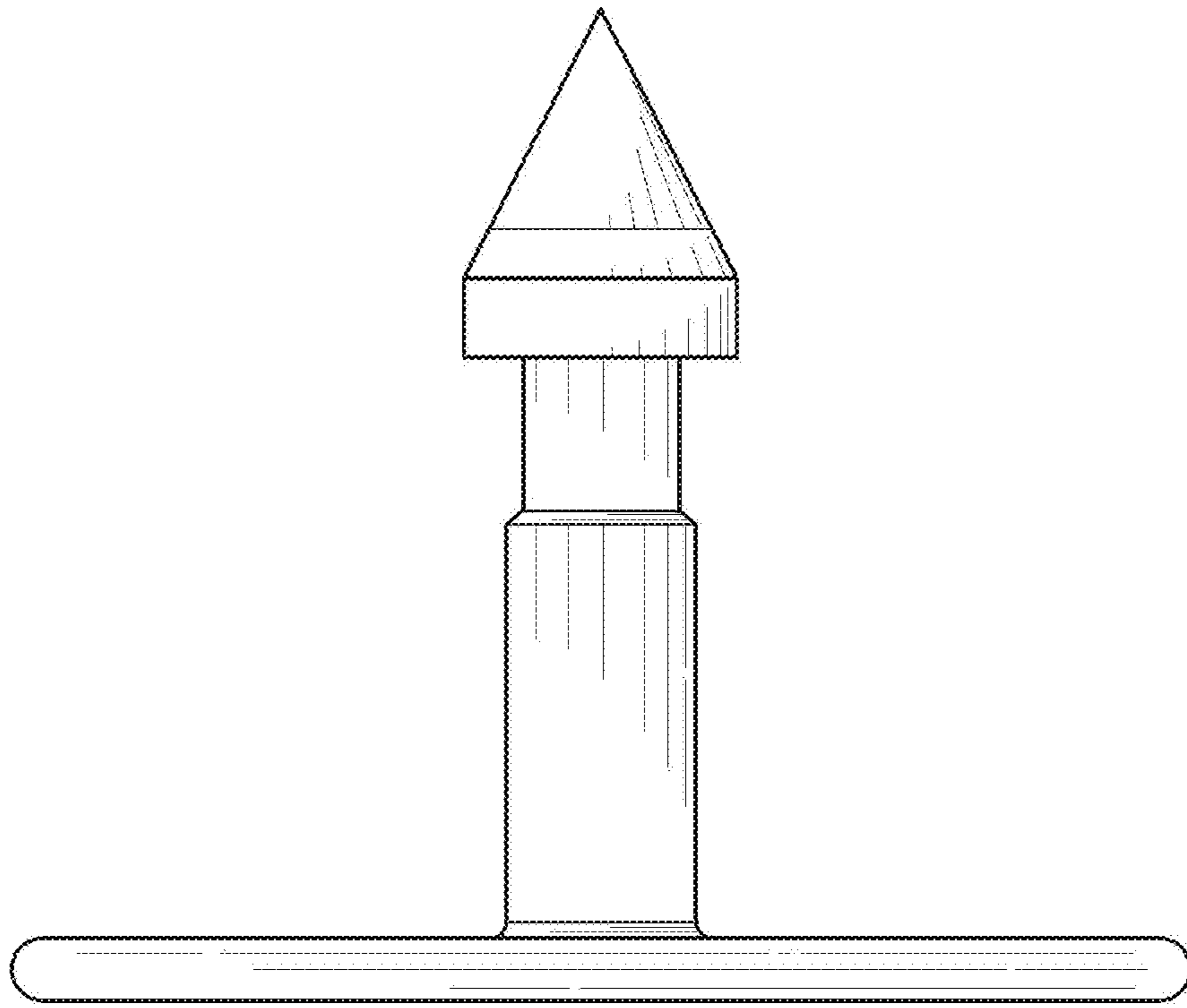


FIG. 2

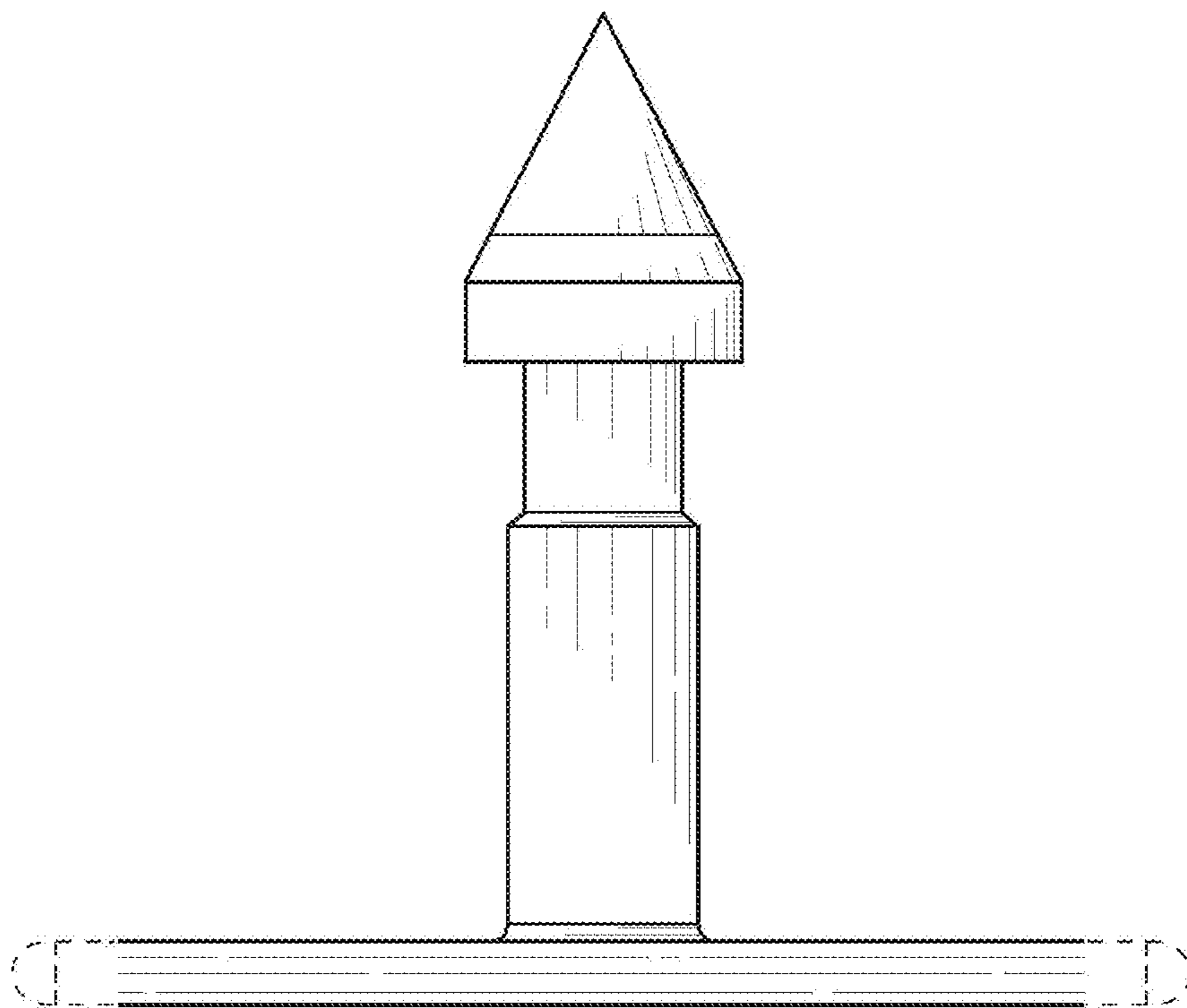
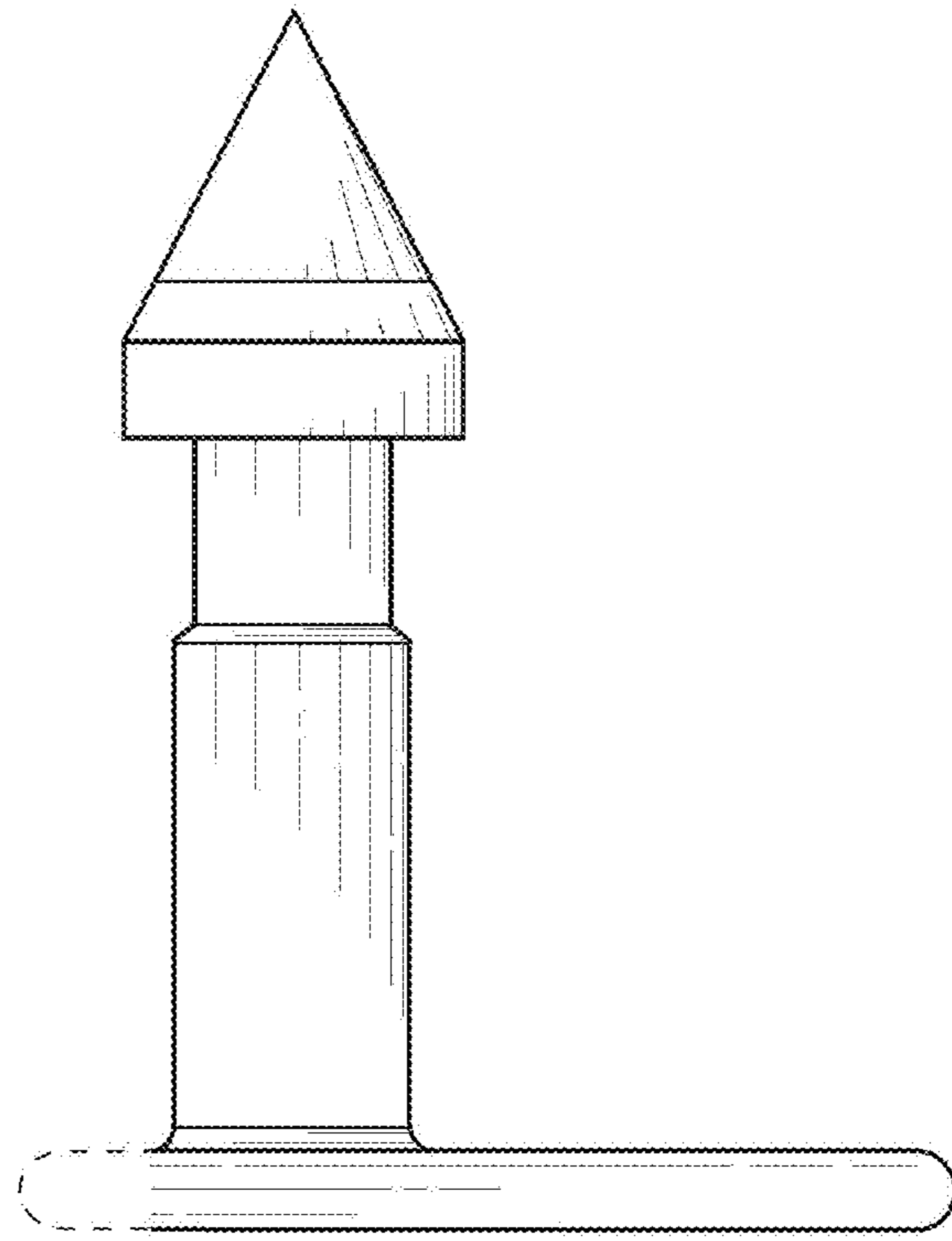
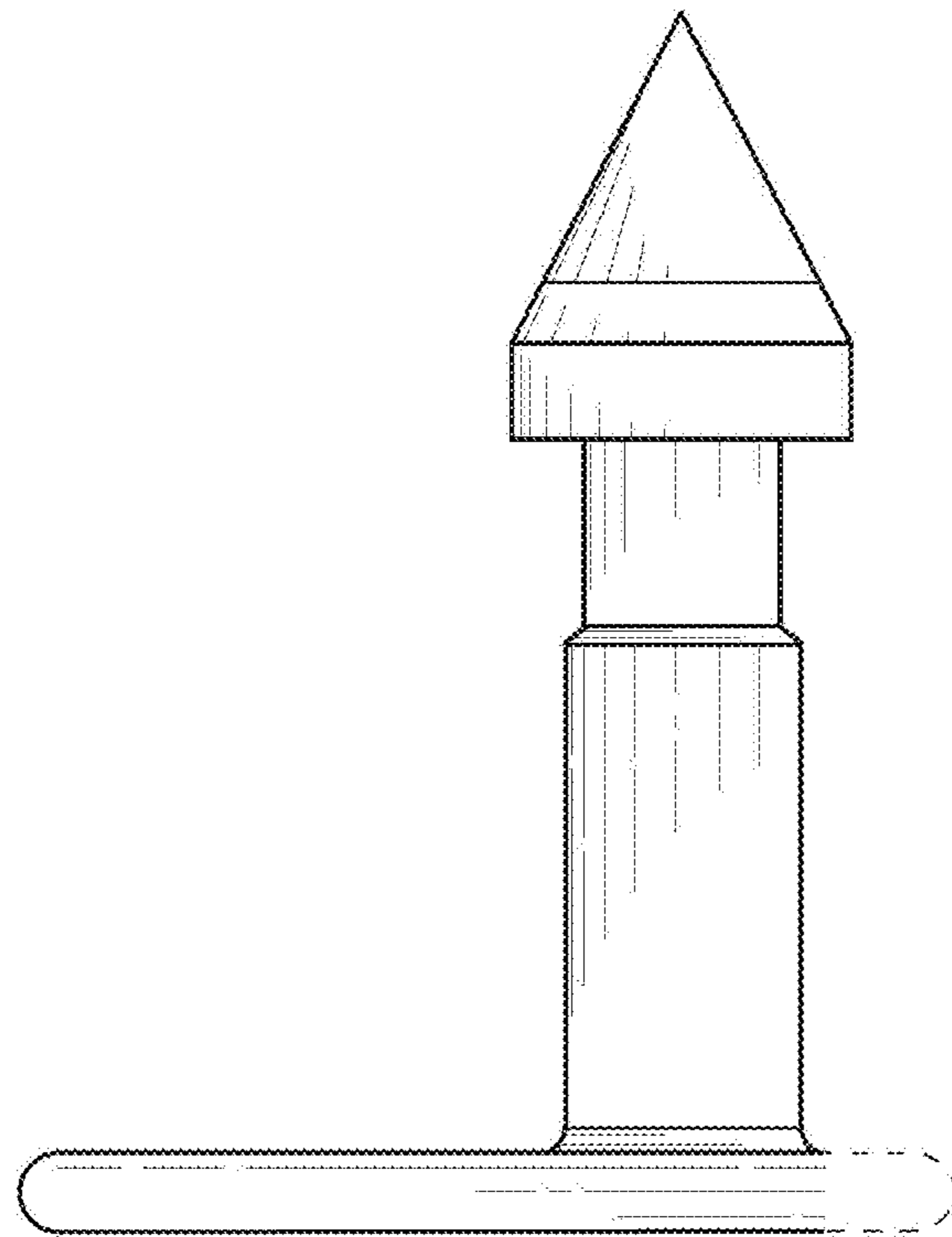


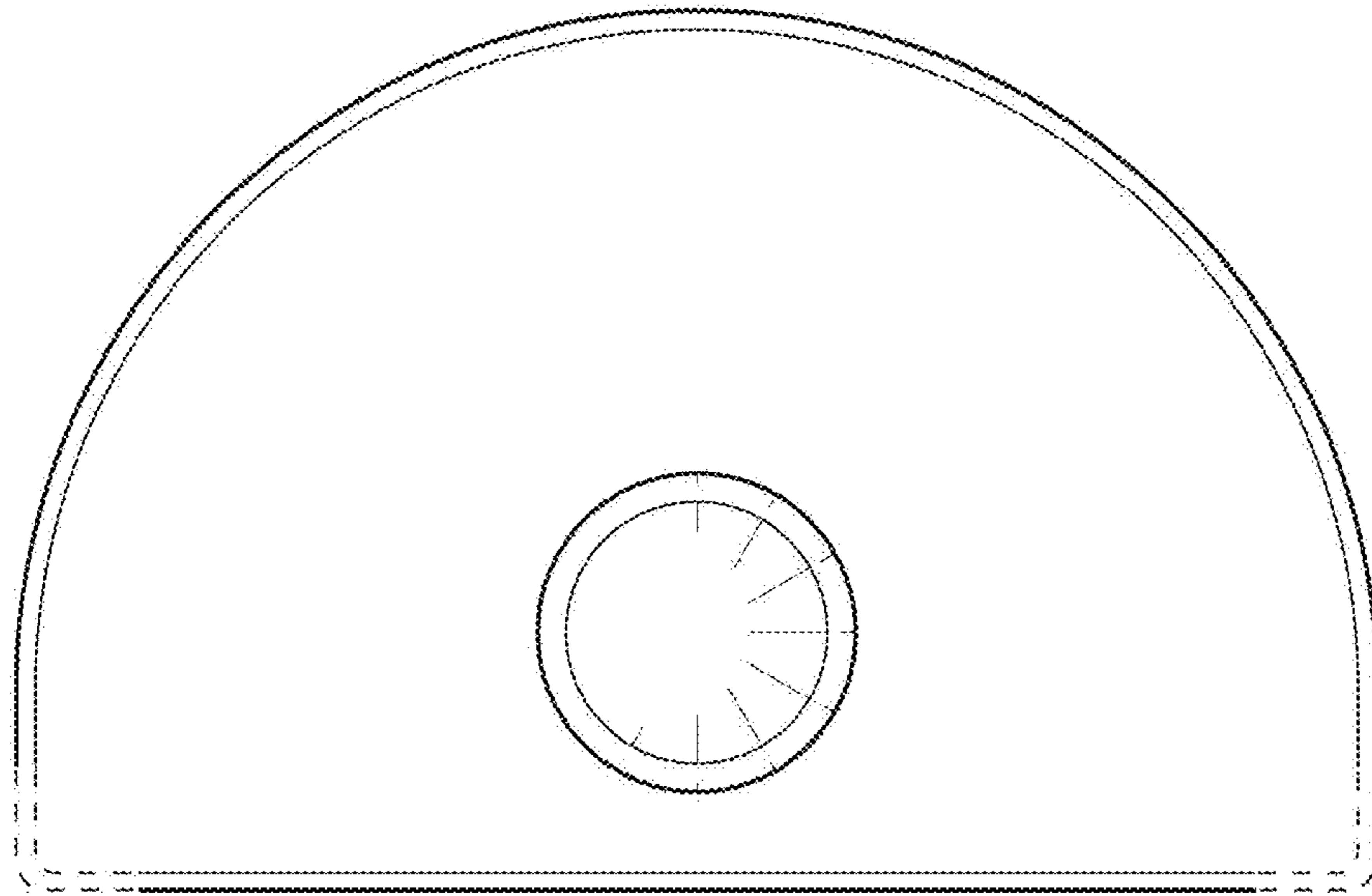
FIG. 3



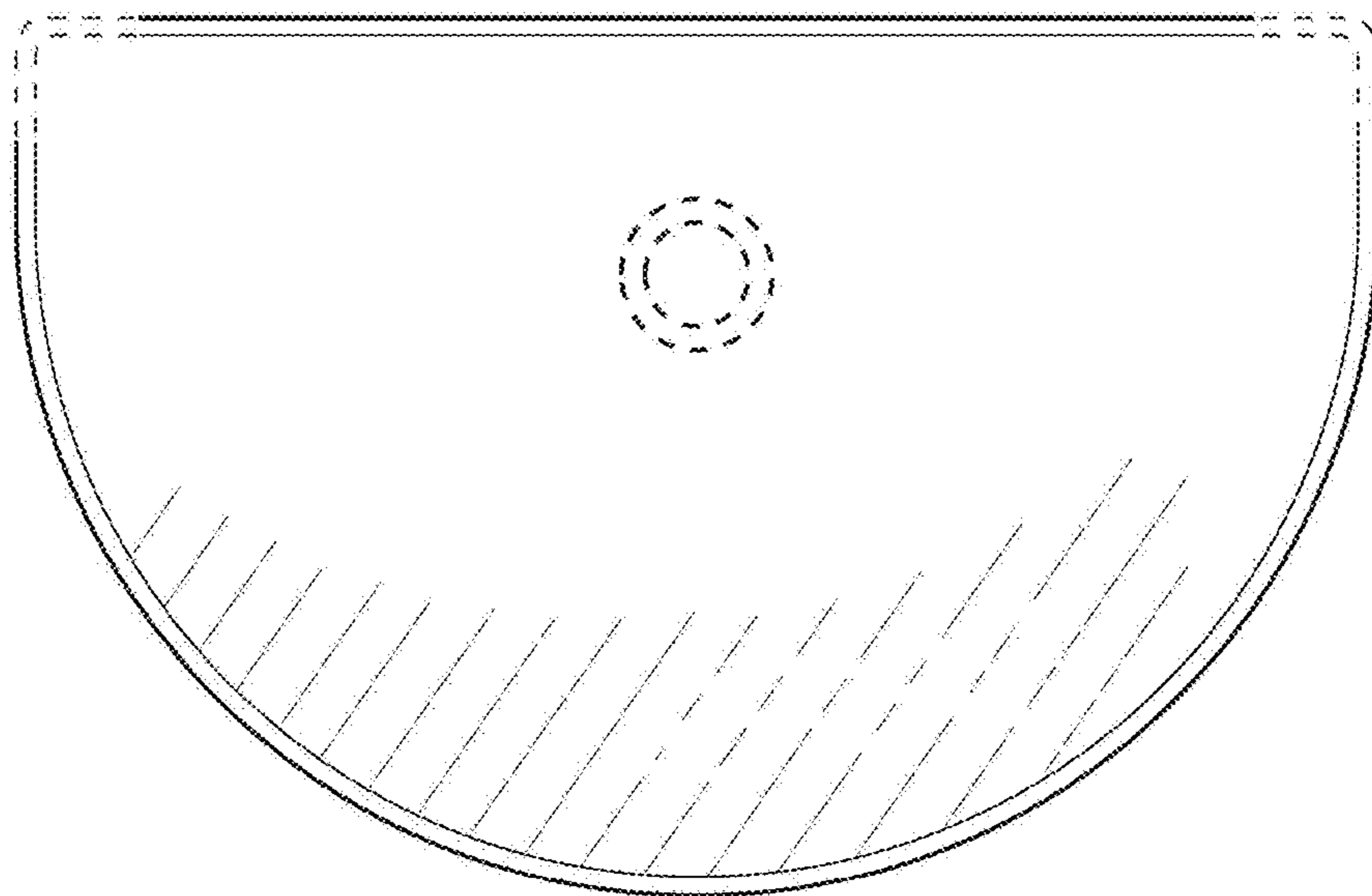
**FIG. 4**



**FIG. 5**



**FIG. 6**



**FIG. 7**