



US00D947467S

(12) **United States Design Patent**
Dai et al.

(10) **Patent No.:** **US D947,467 S**
(45) **Date of Patent:** **** Mar. 29, 2022**

(54) **DOG LEASH HANDLE**

(71) Applicant: **Best-Run Technology Co., Ltd,**
Zhejiang (CN)

(72) Inventors: **Qingfeng Dai,** Zhejiang (CN); **Ying Tang,** Zhejiang (CN)

(73) Assignee: **Best-Run Technology Co., Ltd,**
Zhejiang (CN)

(**) Term: **15 Years**

(21) Appl. No.: **29/730,041**

(22) Filed: **Apr. 1, 2020**

(51) **LOC (13) Cl.** **30-04**

(52) **U.S. Cl.**
USPC **D30/153**

(58) **Field of Classification Search**
USPC D30/144, 151, 152, 153, 154, 160, 199;
D21/732, 777; D3/215
CPC A01K 27/003; A01K 27/004
See application file for complete search history.

(56) **References Cited**

U.S. PATENT DOCUMENTS

D315,586 S *	3/1991	Edelstein	D21/732
D405,677 S *	2/1999	Mosley	D8/107
D573,314 S *	7/2008	Plewa	D30/153
D638,998 S *	5/2011	Kaneko	D30/153
D711,054 S *	8/2014	Schmidt	D30/153
D729,990 S *	5/2015	Taylor	D30/153
D824,604 S *	7/2018	Walter	D30/153
D881,479 S *	4/2020	Ma	D30/153
2008/0230015 A1 *	9/2008	Bleshoy	A01K 27/004 119/796
2009/0183691 A1 *	7/2009	Hassan	A01K 27/006 119/796
2010/0107992 A1 *	5/2010	Chefetz	B65H 75/4431 119/796
2018/0317456 A1 *	11/2018	Bogdahn	A01K 27/004
2020/0045936 A1 *	2/2020	Tang	B65H 75/4428

OTHER PUBLICATIONS

“Fida/ Best-Run Technology Press Conference: Autobrake Retractable Leash”. Found online Dec. 13, 2021 at youtube.com. Reference dated May 19, 2021. Retrieved from <https://www.youtube.com/watch?v=Ddvstwa-dEw&t=52s>.*

“Fida Pet: Three Retractable Leash Types”. Found online Dec. 13, 2021 at fidapet.com. Reference dated Sep. 4, 2018. Retrieved from <https://web.archive.org/web/20180904232929/http://www.fidapet.com/En>.*

“PETerials: Retractable Dog Leash”. Found online Dec. 13, 2021 at amazon.com. Reference dated Aug. 16, 2017. Retrieved from https://www.amazon.com/gp/product/B074W6DKBB/ref=as_li_tl?*

“Petkit Go Shine Dog Retractable Leash”. Found online Jan. 21, 2020 at youtube.com. Page dated Nov. 7, 2019. Retrieved from https://www.youtube.com/watch?v=tJNZ9oH2U1s&feature=emb_logo.*

* cited by examiner

Primary Examiner — Kendra Leslie Hamilton
(74) *Attorney, Agent, or Firm* — JCIP Global Inc.

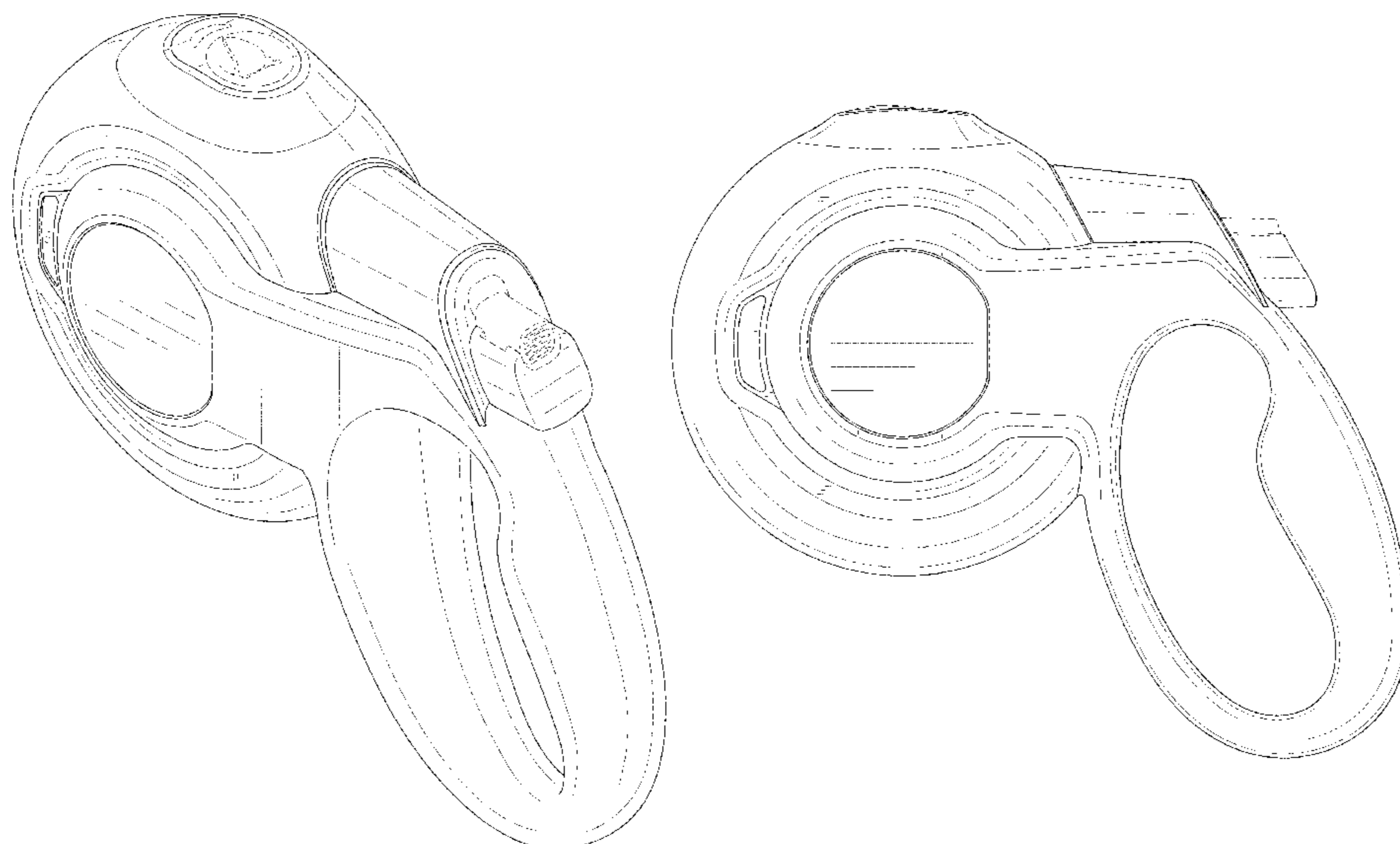
(57) **CLAIM**

The ornamental design for a dog leash handle, as shown and described.

DESCRIPTION

FIG. 1 is a perspective view of a dog leash handle showing our new design;
FIG. 2 is another perspective view thereof;
FIG. 3 is a front view thereof;
FIG. 4 is a rear view thereof;
FIG. 5 is a left side view thereof;
FIG. 6 is a right side view thereof;
FIG. 7 is a top view thereof; and,
FIG. 8 is a bottom view thereof.
The broken line portions of the dog leash handle in FIGS. 1-7 represent unclaimed portions of the claimed design and form no part thereof.

1 Claim, 6 Drawing Sheets



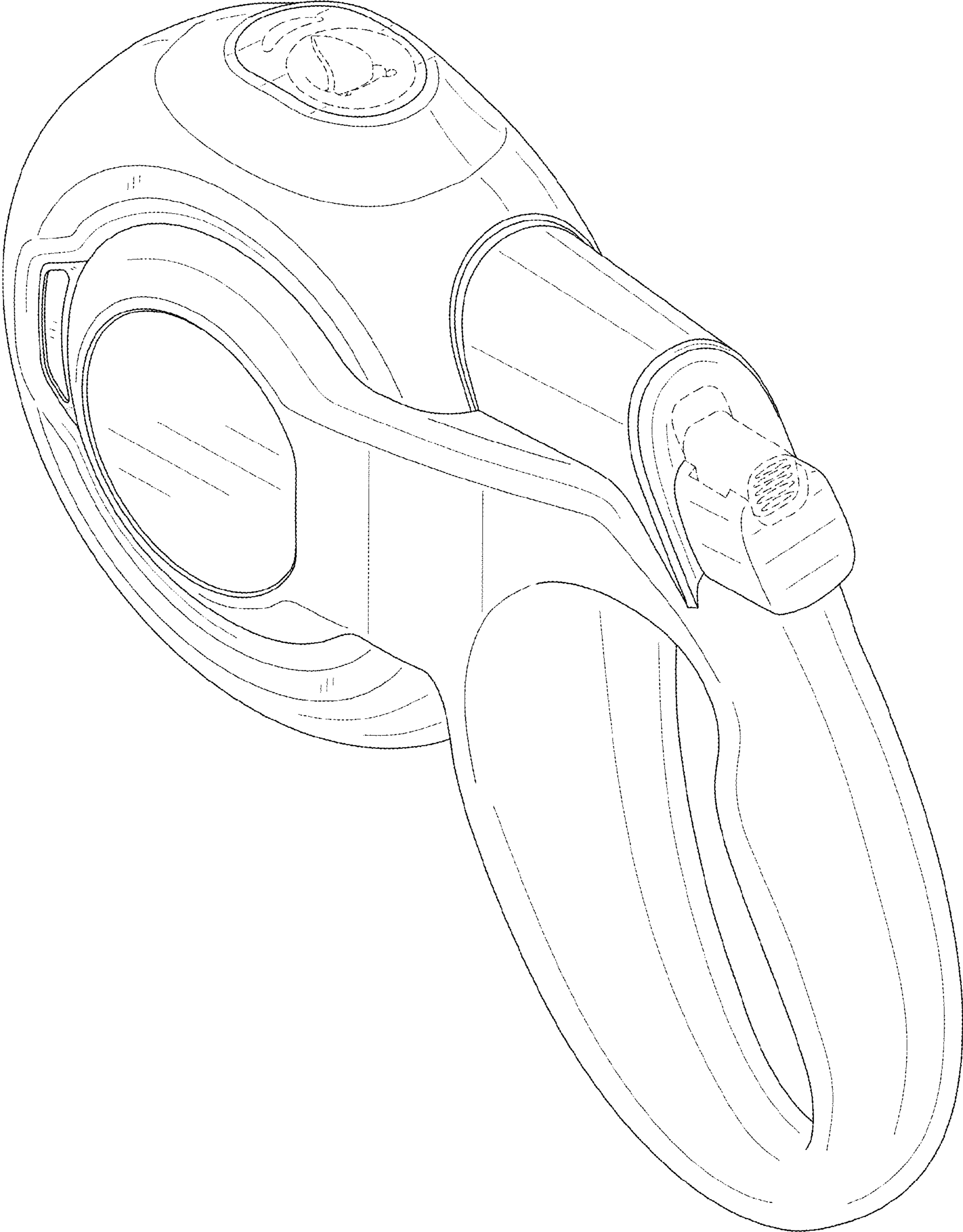


FIG. 1

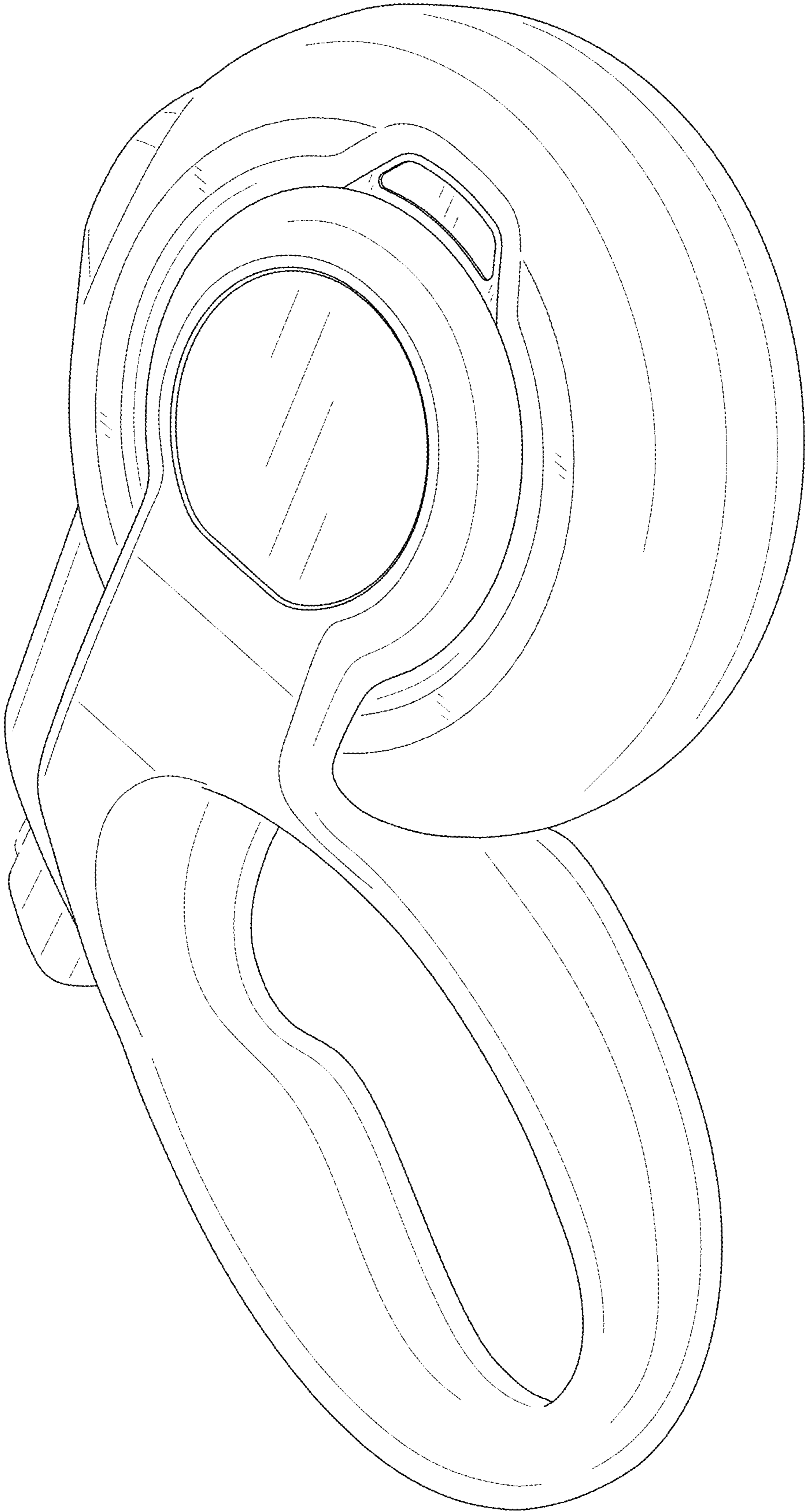


FIG. 2

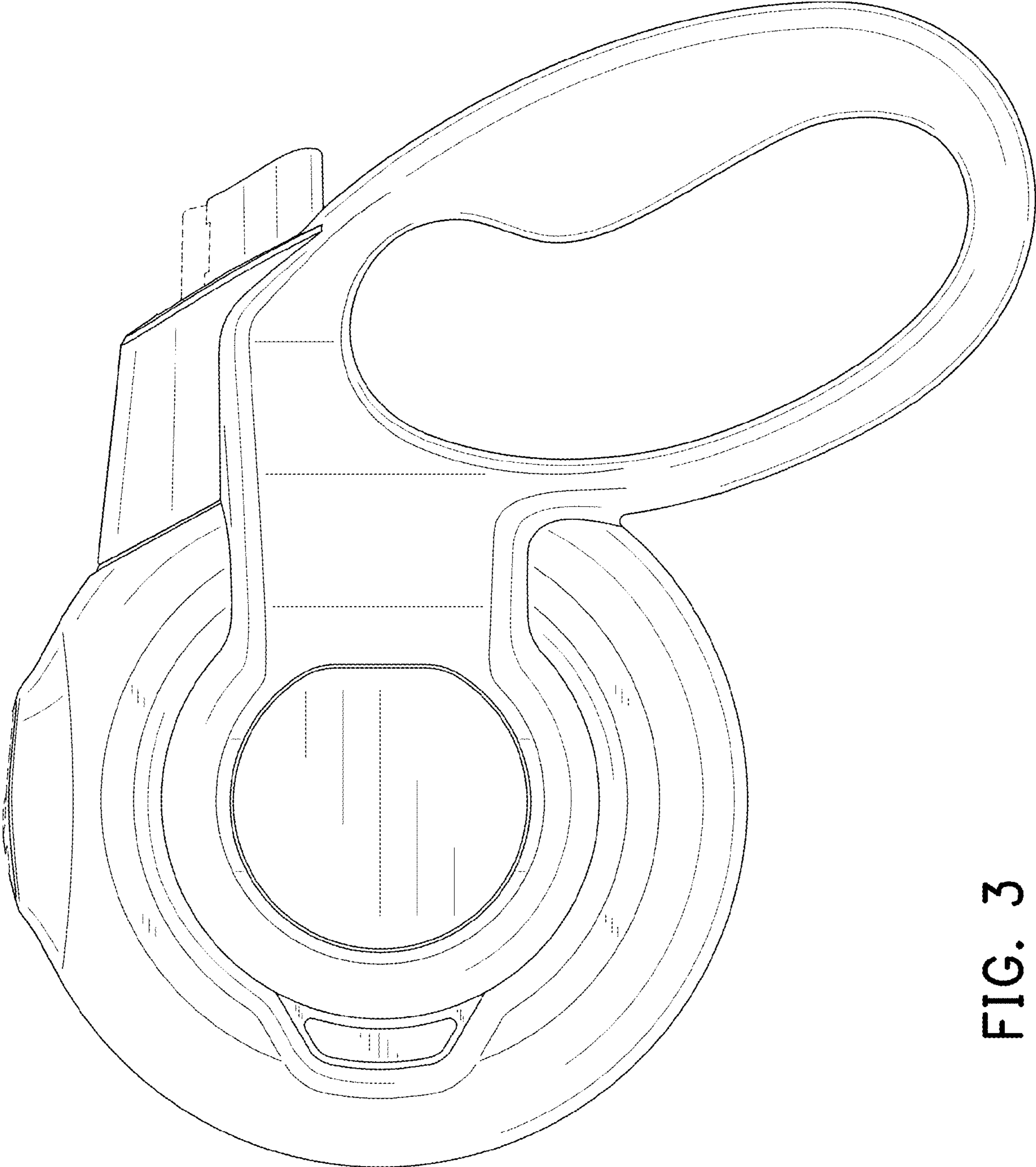


FIG. 3

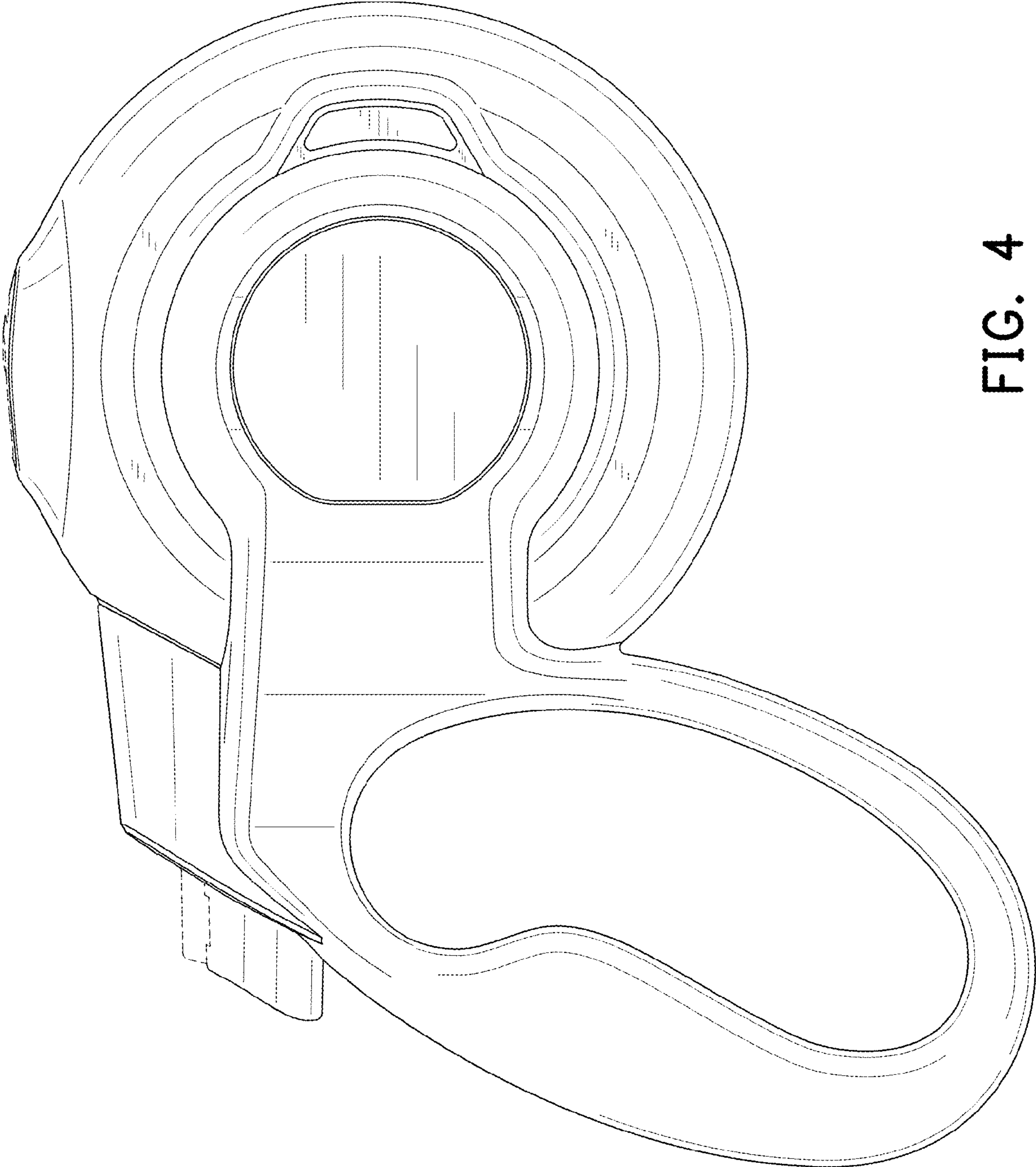


FIG. 4

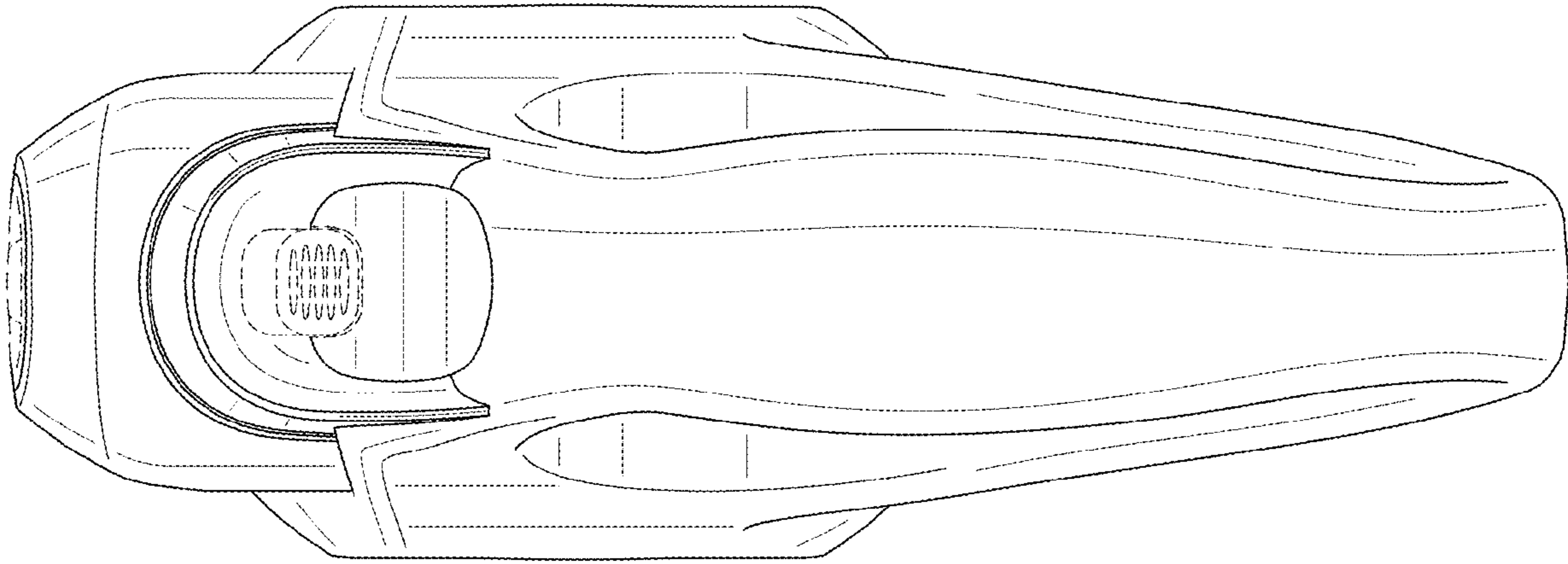


FIG. 5

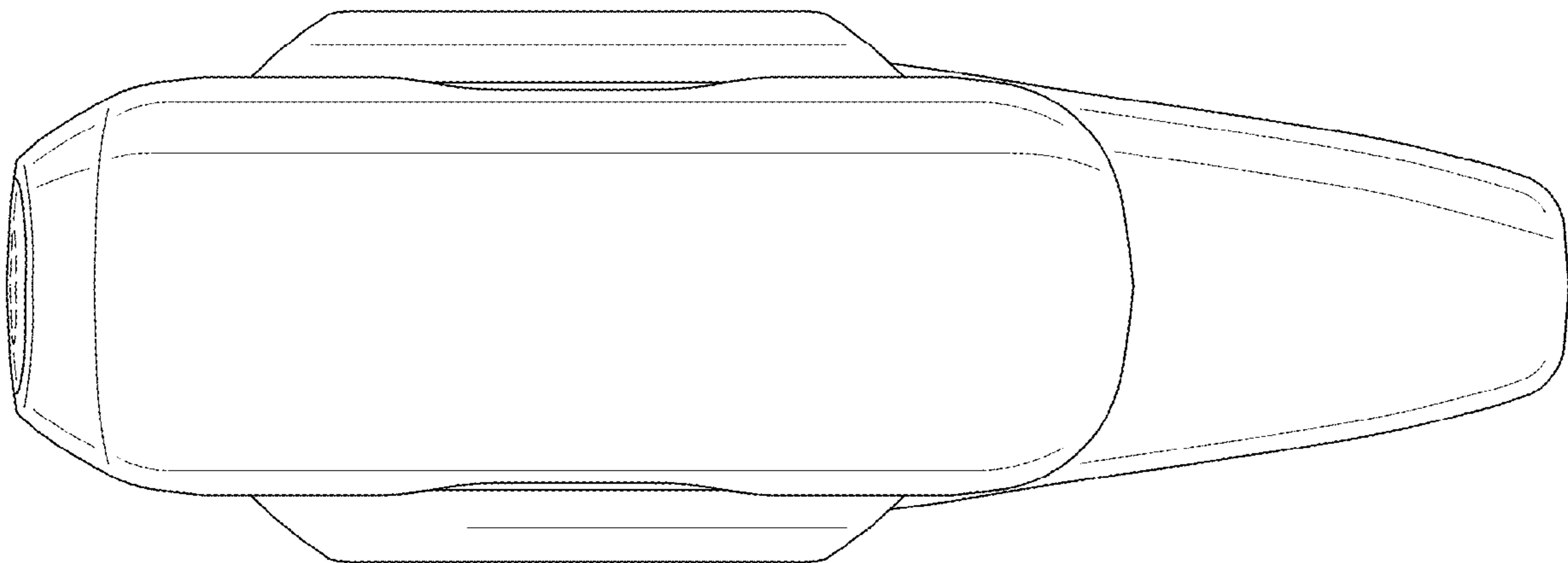


FIG. 6

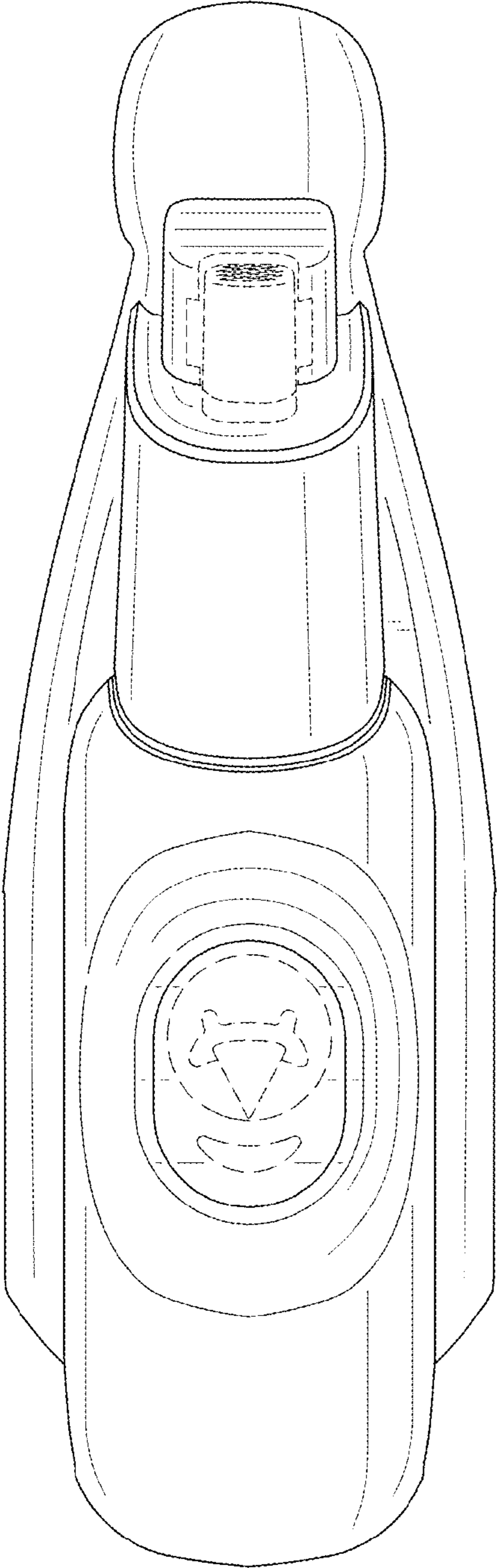


FIG. 7

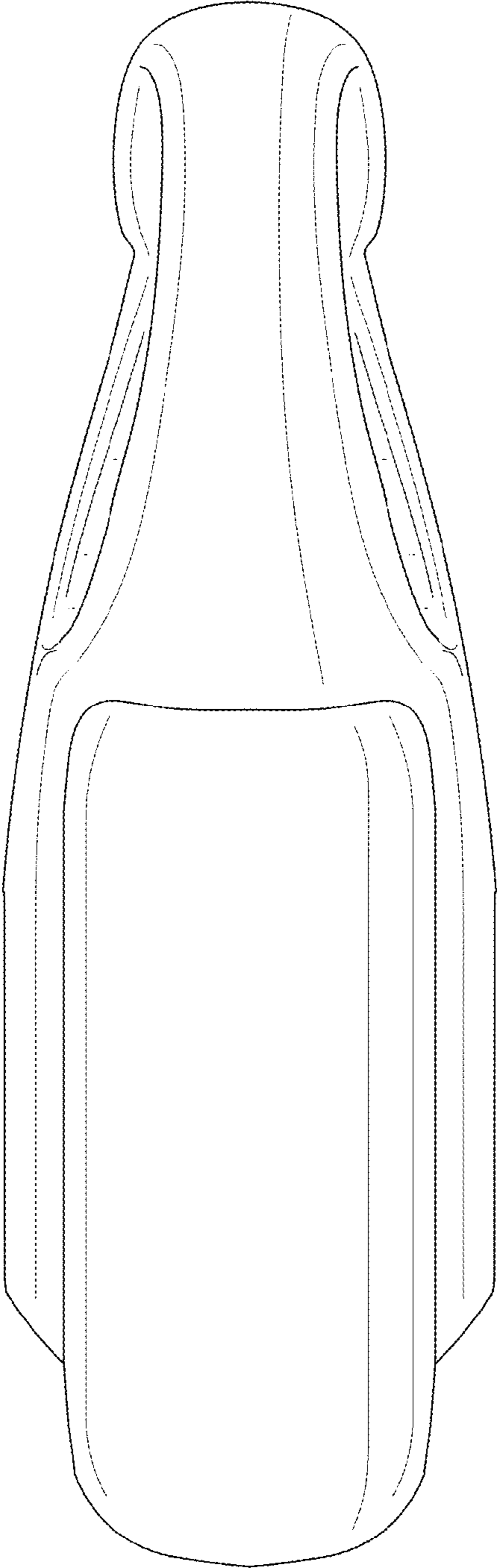


FIG. 8