



US00D947465S

(12) **United States Design Patent**
Yi

(10) **Patent No.:** **US D947,465 S**
(45) **Date of Patent:** **** Mar. 29, 2022**

- (54) **COLLAR FOR ANIMALS**
- (71) Applicant: **Shenzhen Leshuo Technology Co., Ltd., Guangdong (CN)**
- (72) Inventor: **Zhou Yi, Guangdong (CN)**
- (73) Assignee: **Shenzhen Leshuo Technology Co., Ltd., Guangdong (CN)**
- (**) Term: **15 Years**
- (21) Appl. No.: **29/740,471**
- (22) Filed: **Jul. 3, 2020**
- (51) **LOC (13) Cl.** **30-04**
- (52) **U.S. Cl.**
USPC **D30/152**
- (58) **Field of Classification Search**
USPC D30/151, 152, 153, 199
CPC A01K 27/001; A01K 27/006; A01K 27/00;
A44C 15/0015
See application file for complete search history.

2005/0277855 A1* 12/2005 Tanaka A01K 15/022
601/46
2011/0194276 A1* 8/2011 Au A44C 15/0015
362/104
2015/0250143 A1* 9/2015 Klossner A01K 15/021
119/719

OTHER PUBLICATIONS

“Namsan LED Dog Lead with LED Dog Collar.” Found online Jan. 26, 2022 at www.amazon.co.uk. Product first available Jul. 3, 2019. Retrieved from URL: <https://www.amazon.co.uk/Namsan-Collar-Rechargeable-Waterproof-Safety/dp/B07TS3H3YT> (Year: 2019).*

(Continued)

Primary Examiner — Mary Ann Calabrese
Assistant Examiner — Katelin G Kloberg
(74) *Attorney, Agent, or Firm* — ScienBiziP, P.C.

(57) **CLAIM**

The ornamental design for a collar for animals, as shown and described.

DESCRIPTION

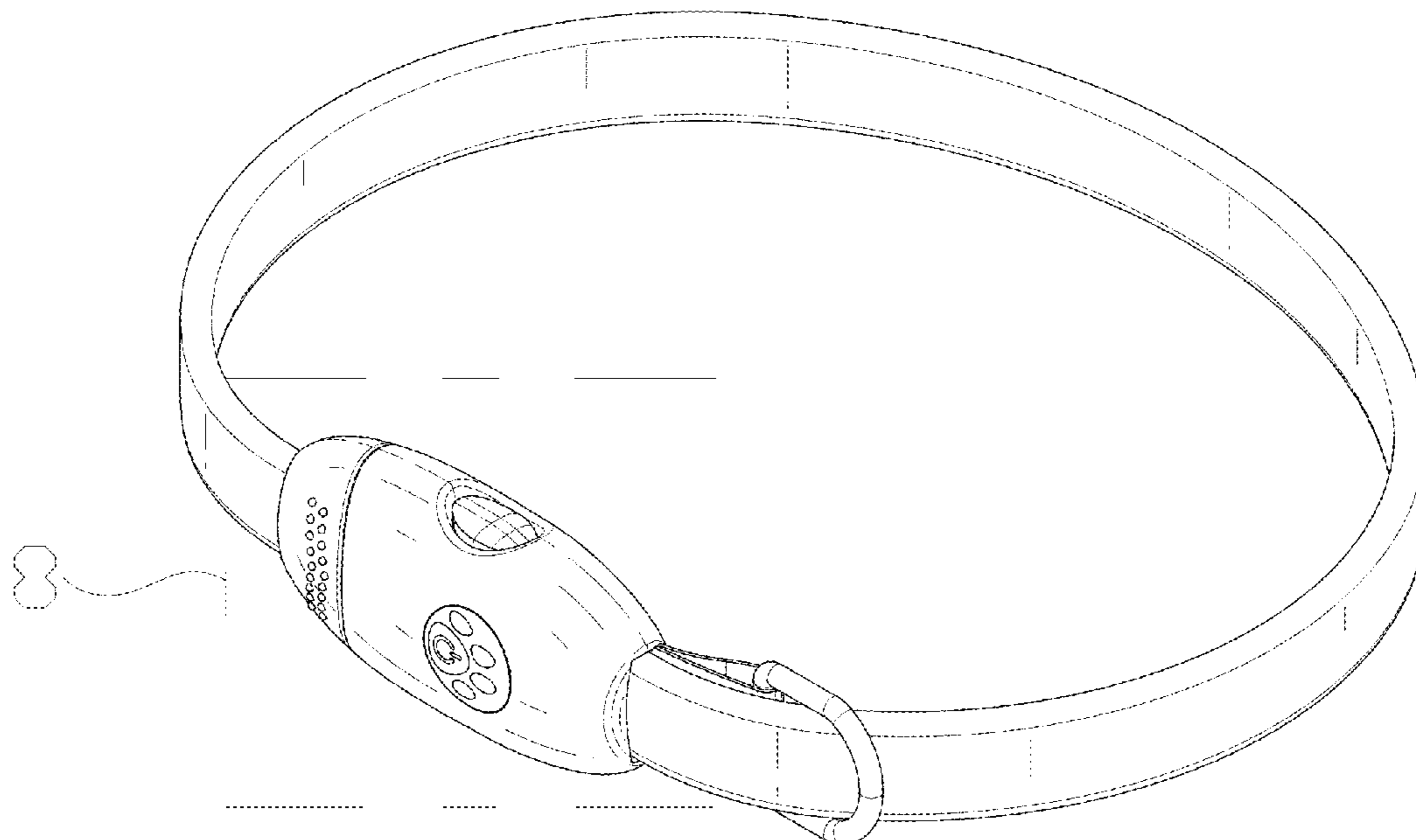
FIG. 1 is a front, right and top perspective view of a collar for animals, showing my design.
FIG. 2 is a front elevation view thereof.
FIG. 3 is a rear elevation view thereof.
FIG. 4 is a left side elevation view thereof.
FIG. 5 is a right side elevation view thereof.
FIG. 6 is a top plan view thereof.
FIG. 7 is a bottom plan view thereof; and,
FIG. 8 is an enlarged view of an area labeled 8 in FIG. 1.
In FIGS. 3, 6, and 7, the evenly-spaced broken lines depict portions of the collar for animals that form no part of the claimed design.

1 Claim, 8 Drawing Sheets

(56) **References Cited**

U.S. PATENT DOCUMENTS

| | | | | |
|----------------|---------|-----------|-------|-------------|
| D607,617 S * | 1/2010 | Golenz | | D30/152 |
| D706,159 S * | 6/2014 | Ma | | D11/3 |
| D707,898 S * | 6/2014 | Ma | | D30/152 |
| D715,675 S * | 10/2014 | Ma | | D11/3 |
| D727,196 S * | 4/2015 | Tanner | | D11/3 |
| D740,150 S * | 10/2015 | Howsam | | D11/3 |
| 9,332,812 B2 * | 5/2016 | Ma | | A01K 27/006 |
| D794,261 S * | 8/2017 | Pulliam | | D30/152 |
| D810,603 S * | 2/2018 | Davis | | D11/4 |
| D851,339 S * | 6/2019 | Solinsky | | D30/152 |
| D858,903 S * | 9/2019 | Jennings | | D30/152 |
| D867,685 S * | 11/2019 | del Moral | | D30/152 |
| D886,394 S * | 6/2020 | Dong | | D30/152 |
| D929,051 S * | 8/2021 | Li | | D30/199 |



(56)

References Cited

OTHER PUBLICATIONS

“PcEoTllar Light Up Dog Collar.” Found online Jan. 26, 2022 at www.amazon.com. Product first available Apr. 27, 2020. Retrieved from URL: <https://www.amazon.com/PcEoTllar-Rechargeable-Waterproof-Colorful-Dogs-Purple-M/dp/B087LTHB6H> (Year: 2020).*

“Nite ize NiteHowl LED Safety Necklace for Pets.” Found online Jan. 26, 2022 at www.batteryjunction.com. Product reviewed Nov. 1, 2016. Retrieved from URL: <https://www.batteryjunction.com/niteize-nitehowl-necklace-opt.html> (Year: 2016).*

* cited by examiner

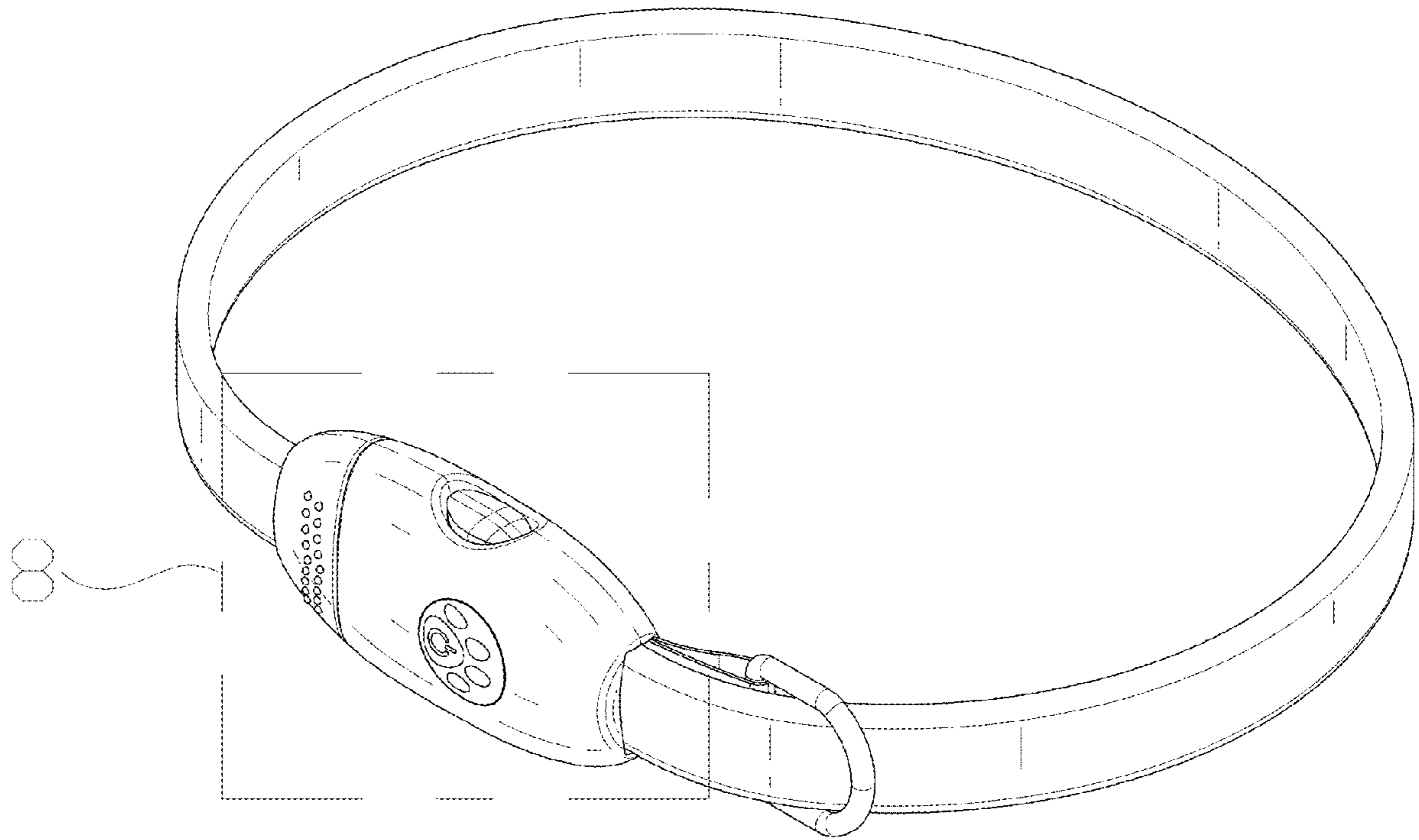


FIG.1

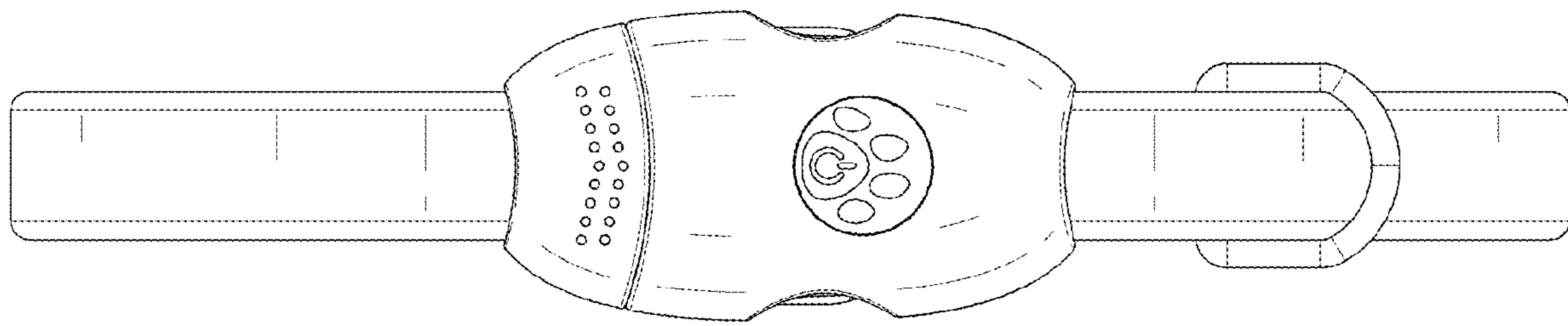


FIG.2

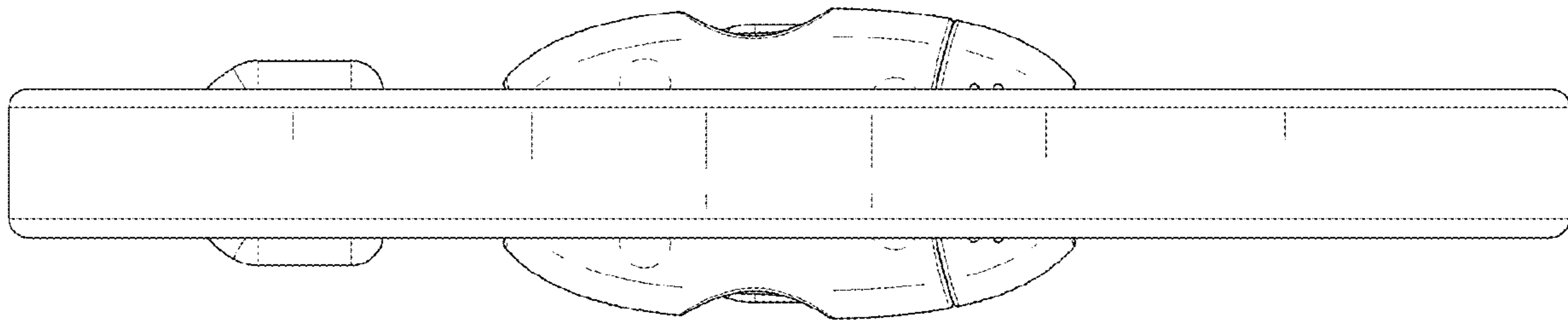


FIG.3

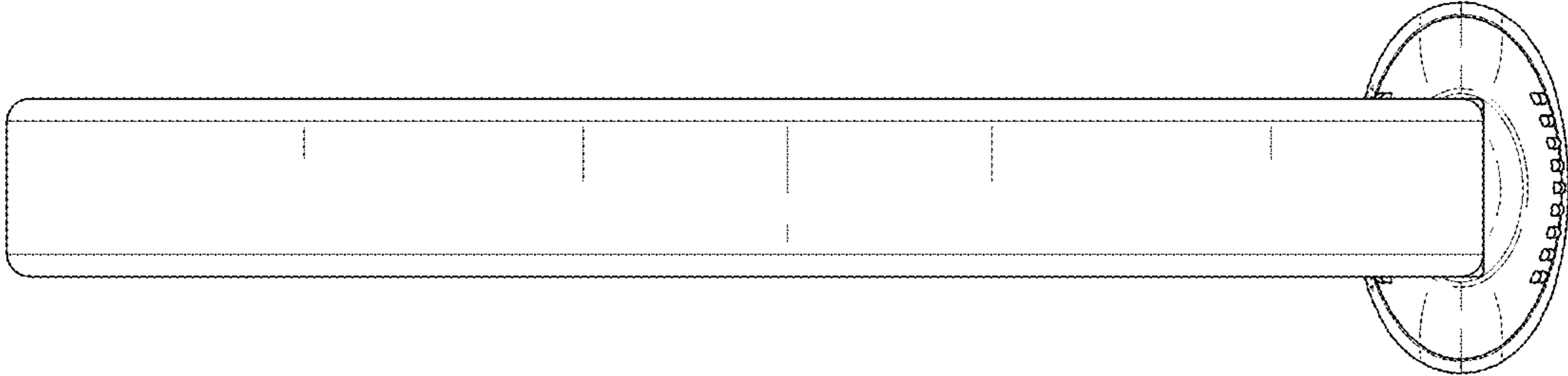


FIG.4

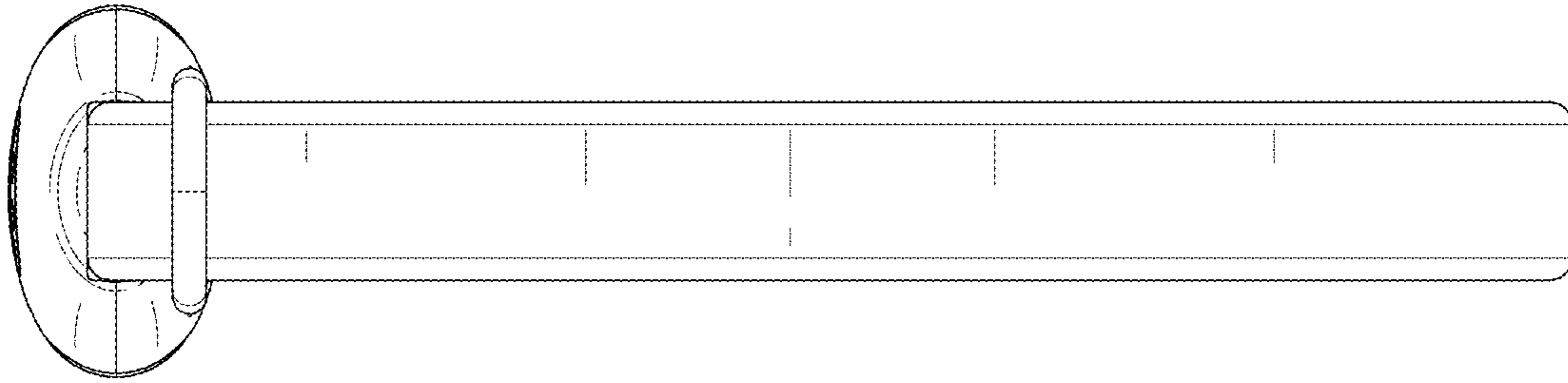


FIG.5

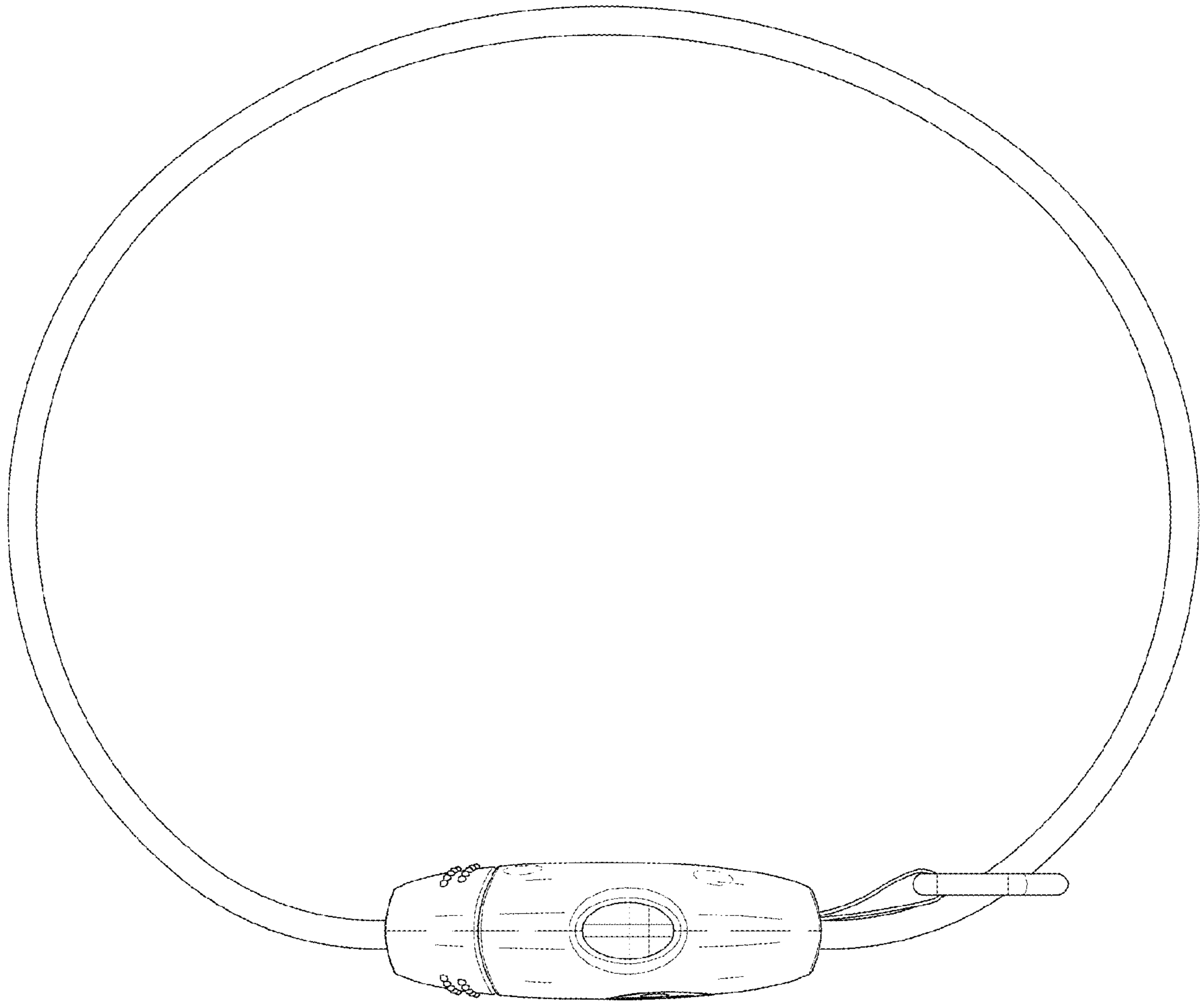


FIG.6

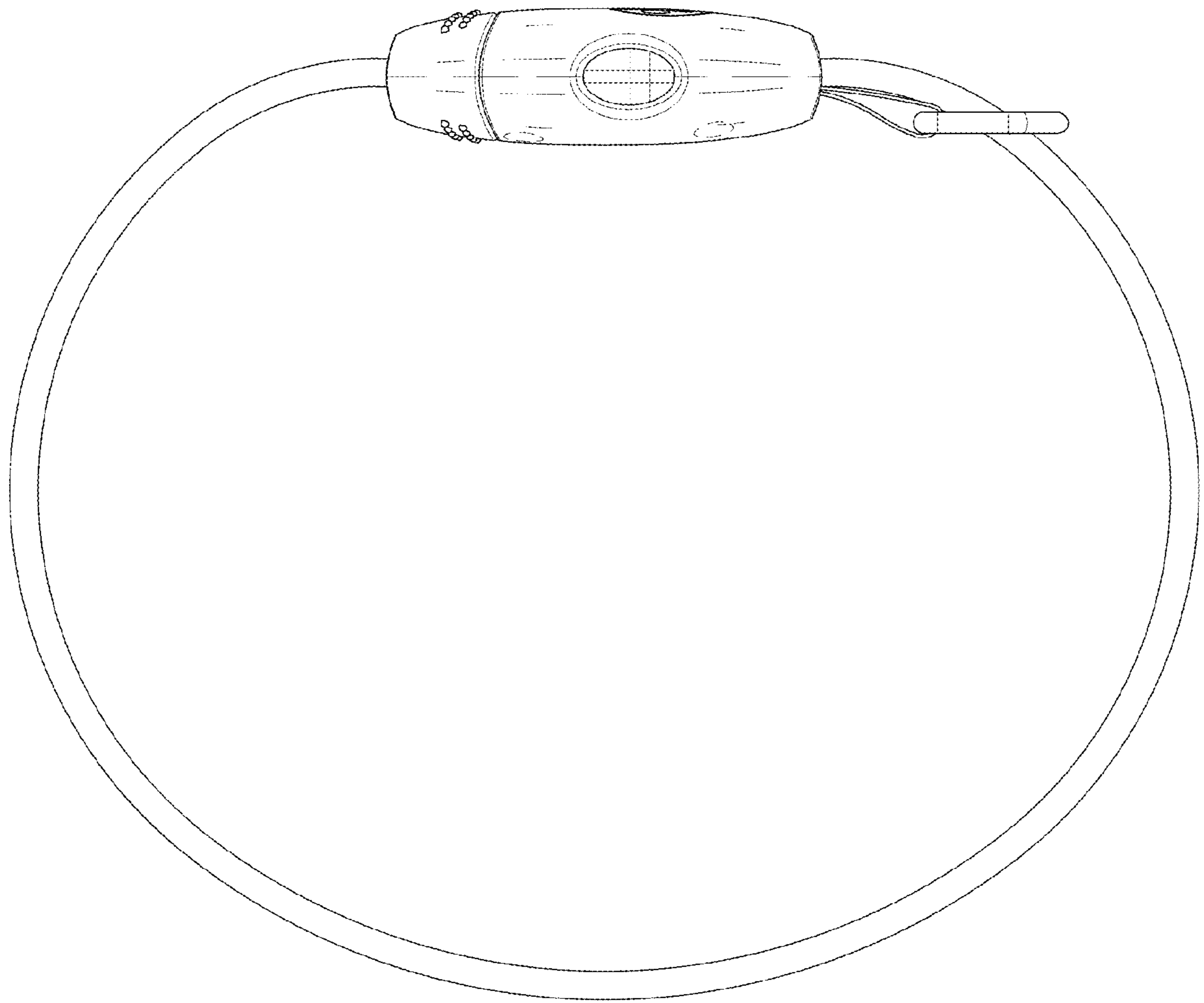


FIG. 7

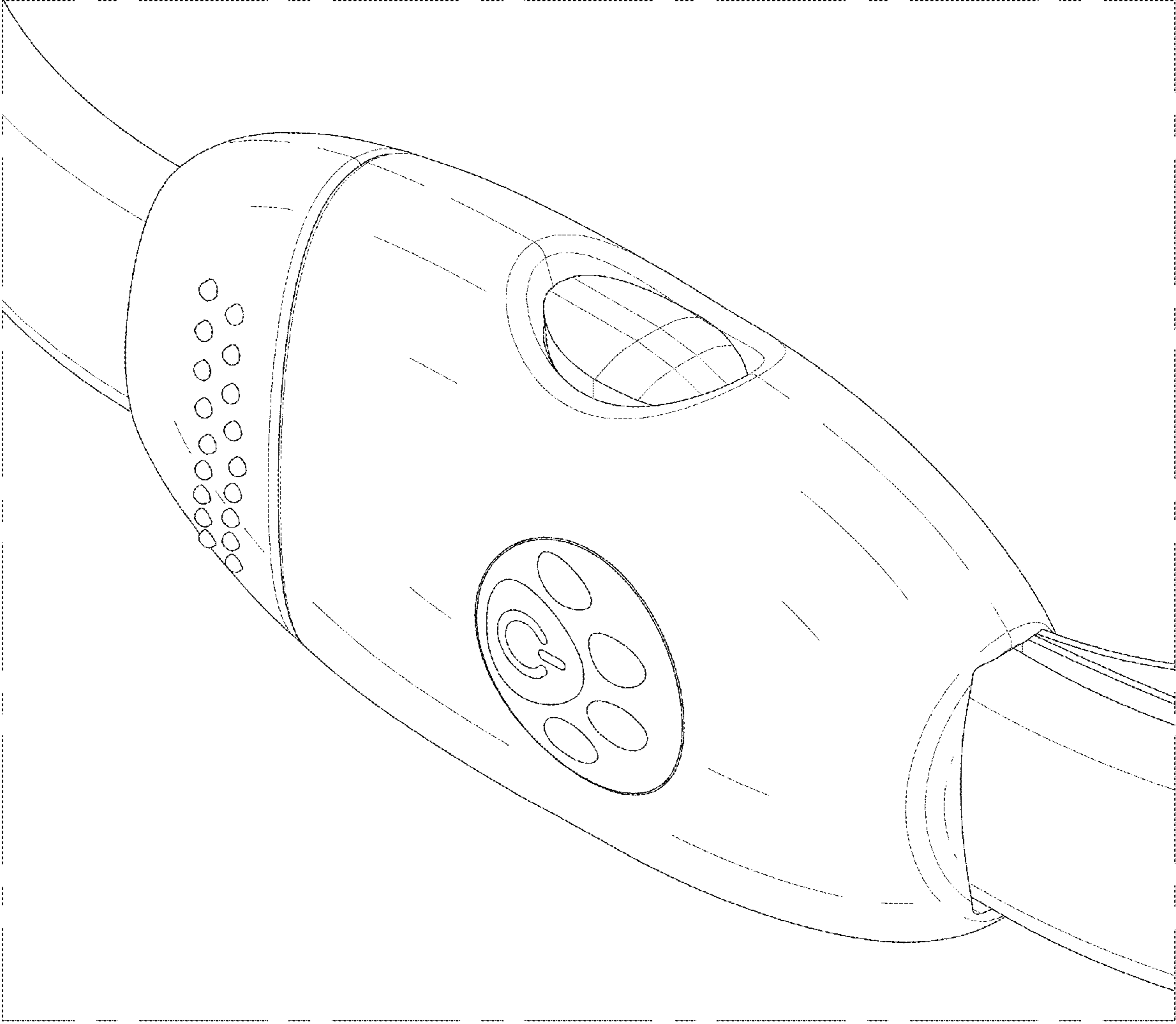


FIG.8