



US00D947463S

(12) **United States Design Patent**
Norcom

(10) **Patent No.:** **US D947,463 S**
(45) **Date of Patent:** **** Mar. 29, 2022**

- (54) **PLENUM TUBE**
- (71) Applicant: **Catherine Norcom**, Austin, TX (US)
- (72) Inventor: **Catherine Norcom**, Austin, TX (US)
- (**) Term: **15 Years**
- (21) Appl. No.: **29/743,657**
- (22) Filed: **Jul. 23, 2020**
- (51) **LOC (13) Cl.** **02-99**
- (52) **U.S. Cl.**
USPC **D29/122**
- (58) **Field of Classification Search**
USPC D15/1, 2, 3, 4, 5, 199; D23/314;
D13/199; D29/122; D24/110
CPC B60K 13/02; F02M 35/10013; F02M
35/10026; F02M 35/10078; F02M
35/10091; F02M 26/31; F02M 35/116;
F02M 35/112; F02M 35/1042; F02M
35/1045; F02M 35/104; F02B 29/045;
F02B 29/0481; A62B 7/00; A62B 9/00;
A62B 18/00; A62B 18/02; A62B 18/045;
A62B 9/02; A62B 9/022; A62B 9/027;
A42B 3/28; A42B 3/281
See application file for complete search history.

D728,777 S * 5/2015 Spear D24/110
D851,684 S * 6/2019 Oesch D15/5
2010/0093482 A1* 4/2010 Allmendinger F16H 48/08
475/234

FOREIGN PATENT DOCUMENTS

WO WO-2020192852 A1 * 10/2020 F26B 3/12

* cited by examiner

Primary Examiner — Ania Aman
(74) *Attorney, Agent, or Firm* — Temmerman Law;
Mathew J. Temmerman

(57) **CLAIM**

The ornamental design for a plenum tube, as shown and described.

DESCRIPTION

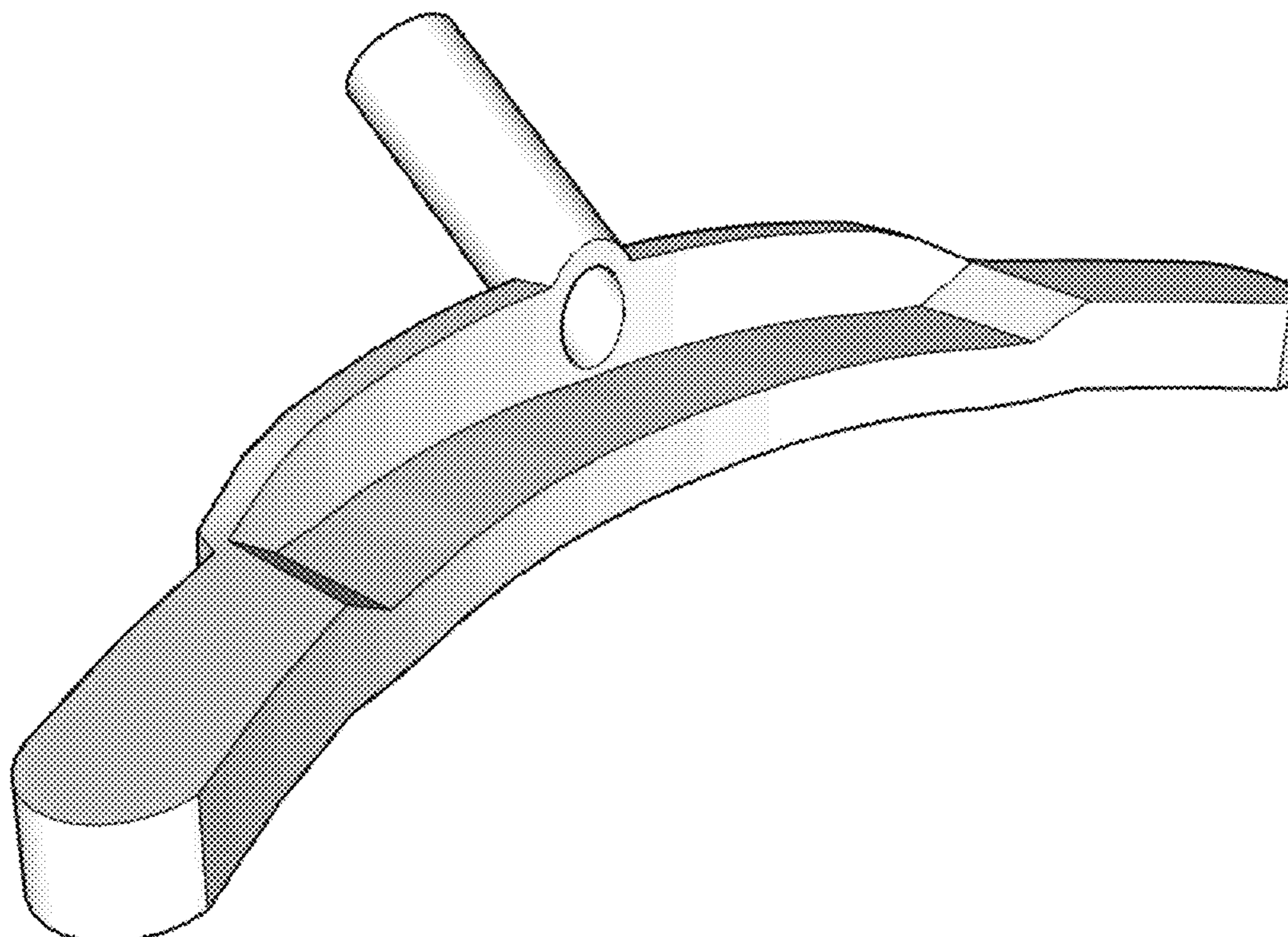
FIG. 1 is a first perspective view of a plenum tube, showing my new design;
FIG. 2 is a second perspective view thereof;
FIG. 3 is a third perspective view thereof;
FIG. 4 is a fourth perspective view thereof;
FIG. 5 is a fifth perspective view thereof;
FIG. 6 is a sixth perspective view thereof;
FIG. 7 is a top view thereof;
FIG. 8 is a bottom view thereof;
FIG. 9 is a front view thereof; and
FIG. 10 is a rear view thereof;
FIG. 11 is a left view thereof; and,
FIG. 12 is a right view thereof.

(56) **References Cited**

U.S. PATENT DOCUMENTS

D533,878 S * 12/2006 Bender D15/5
D629,815 S * 12/2010 Rosenbaum D15/5

1 Claim, 5 Drawing Sheets



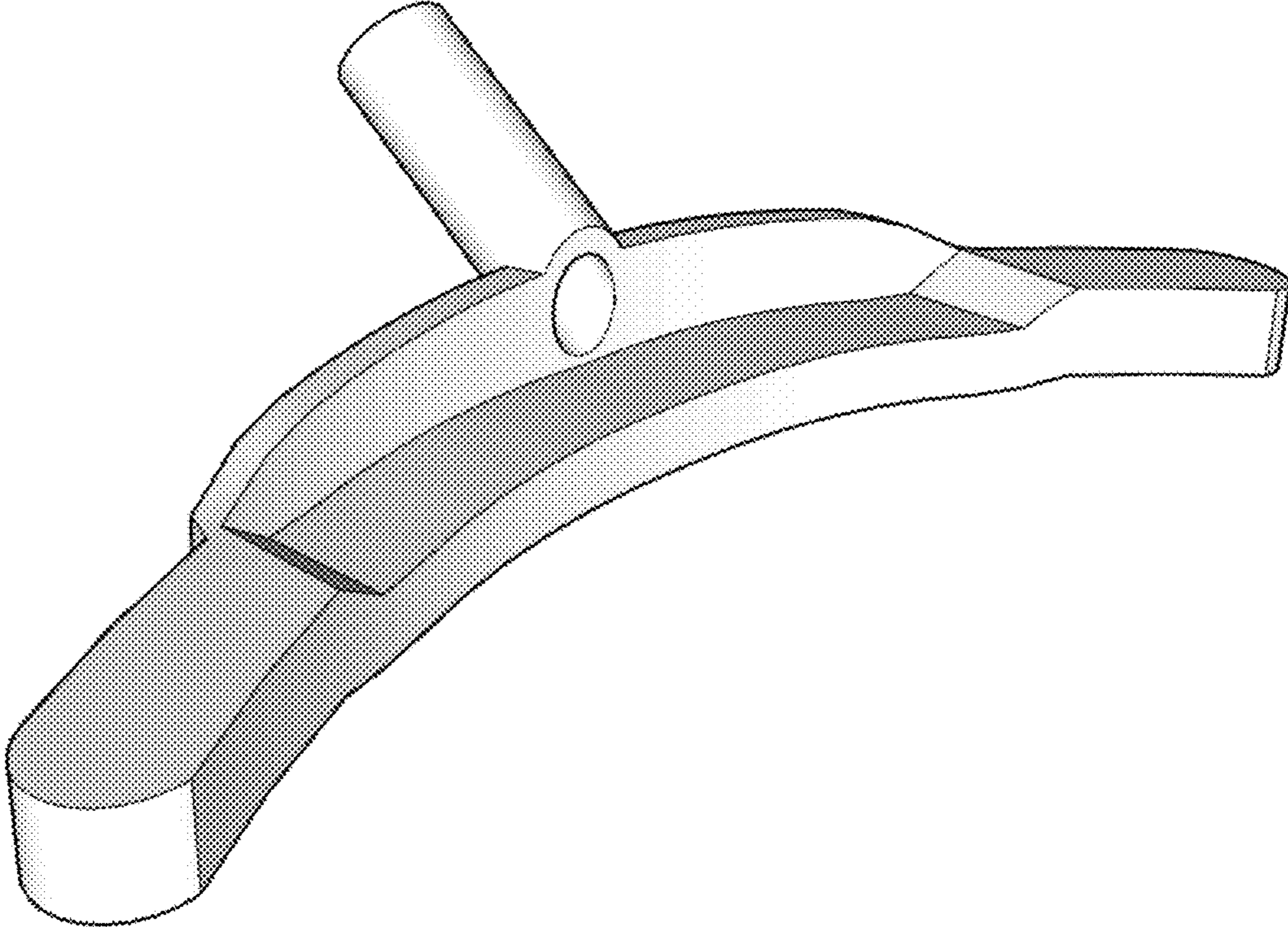


FIG. 1

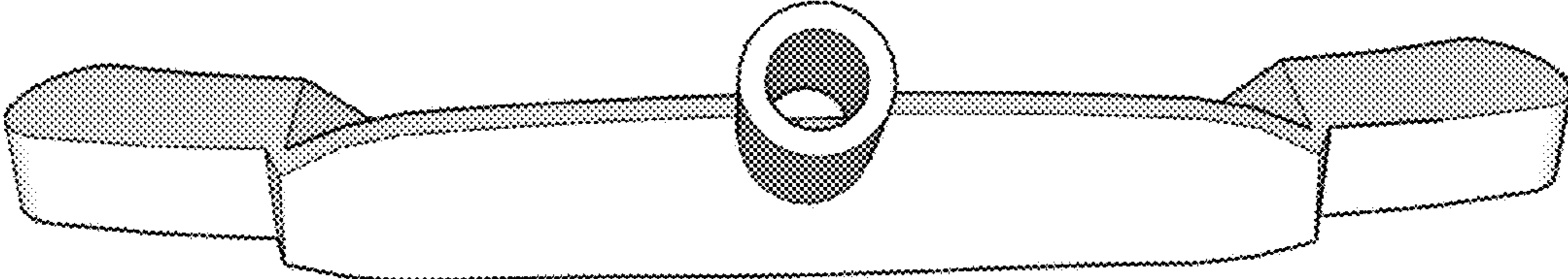


FIG. 2

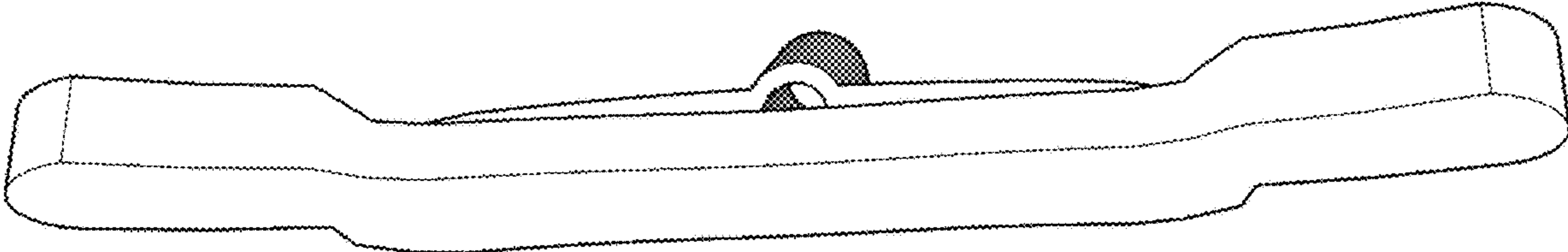


FIG. 3

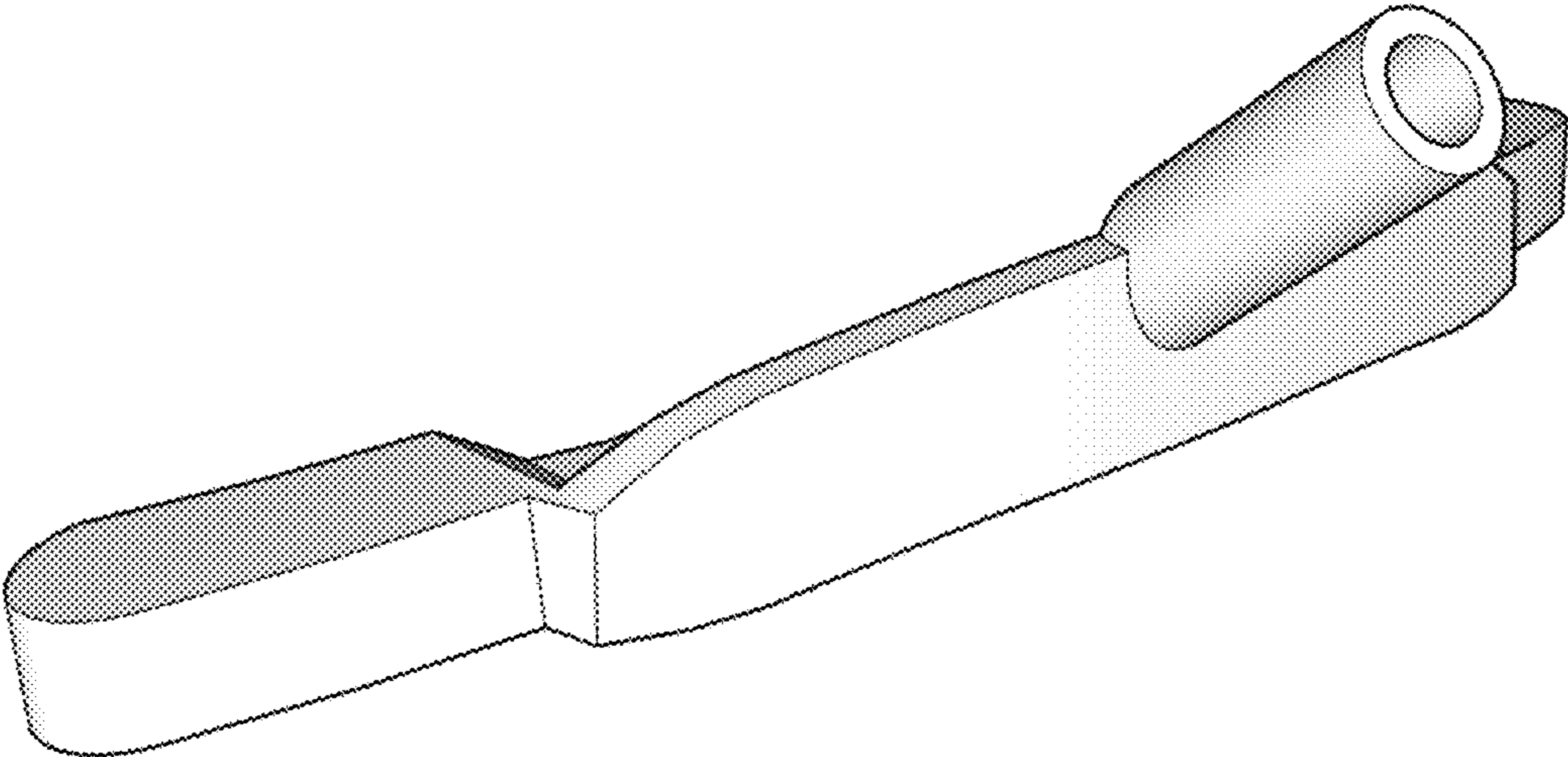


FIG. 4

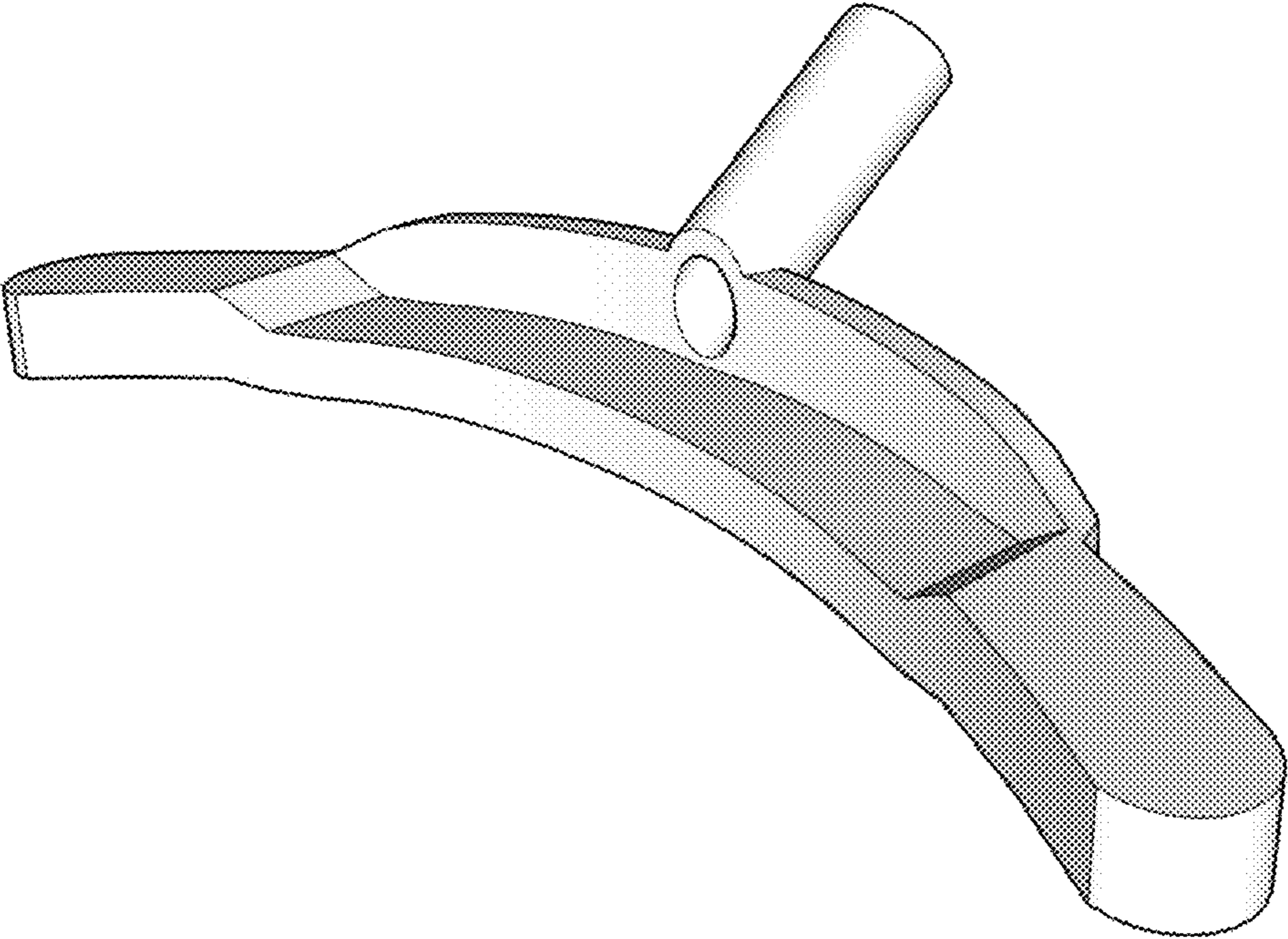


FIG. 5

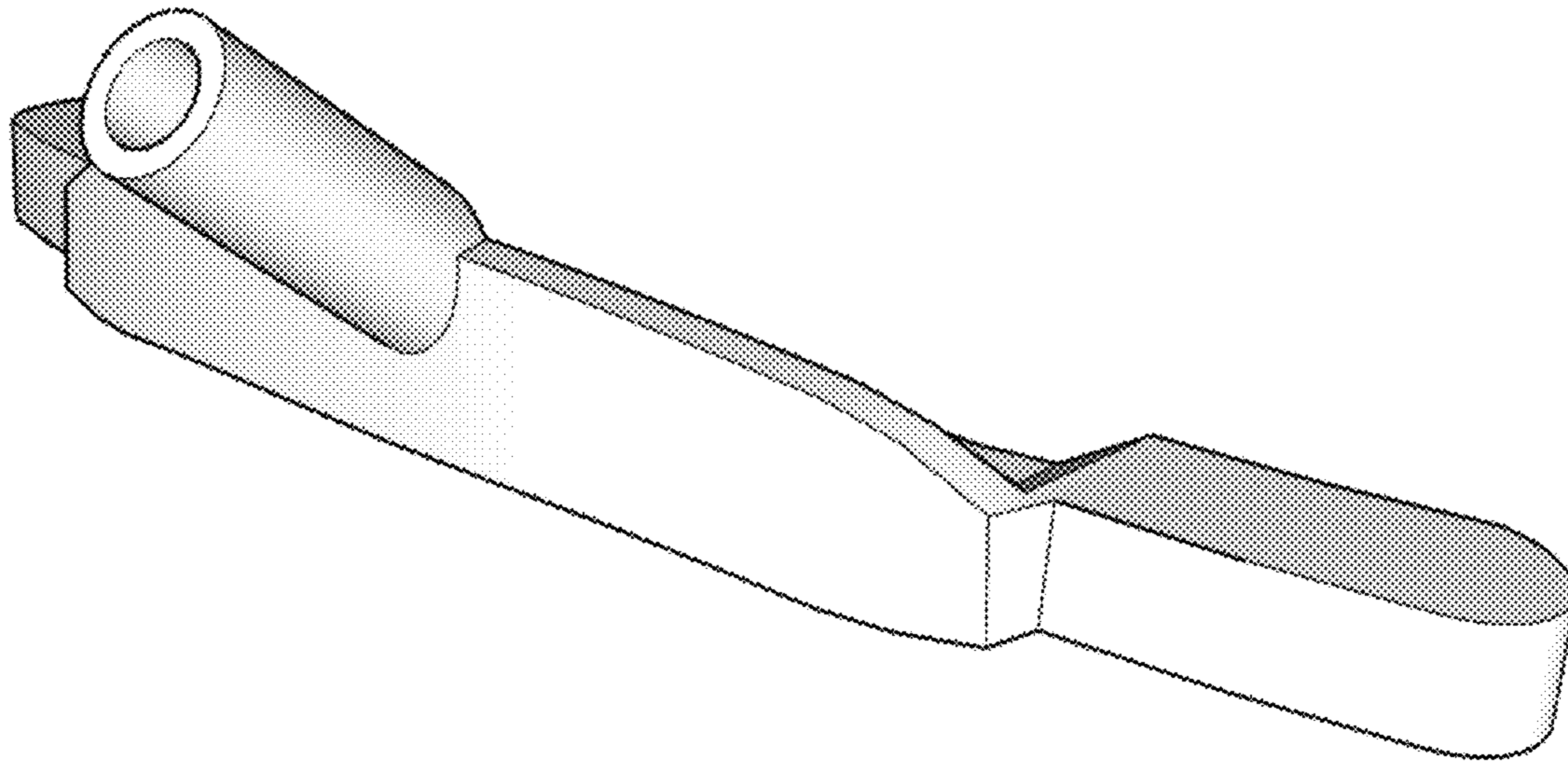


FIG. 6

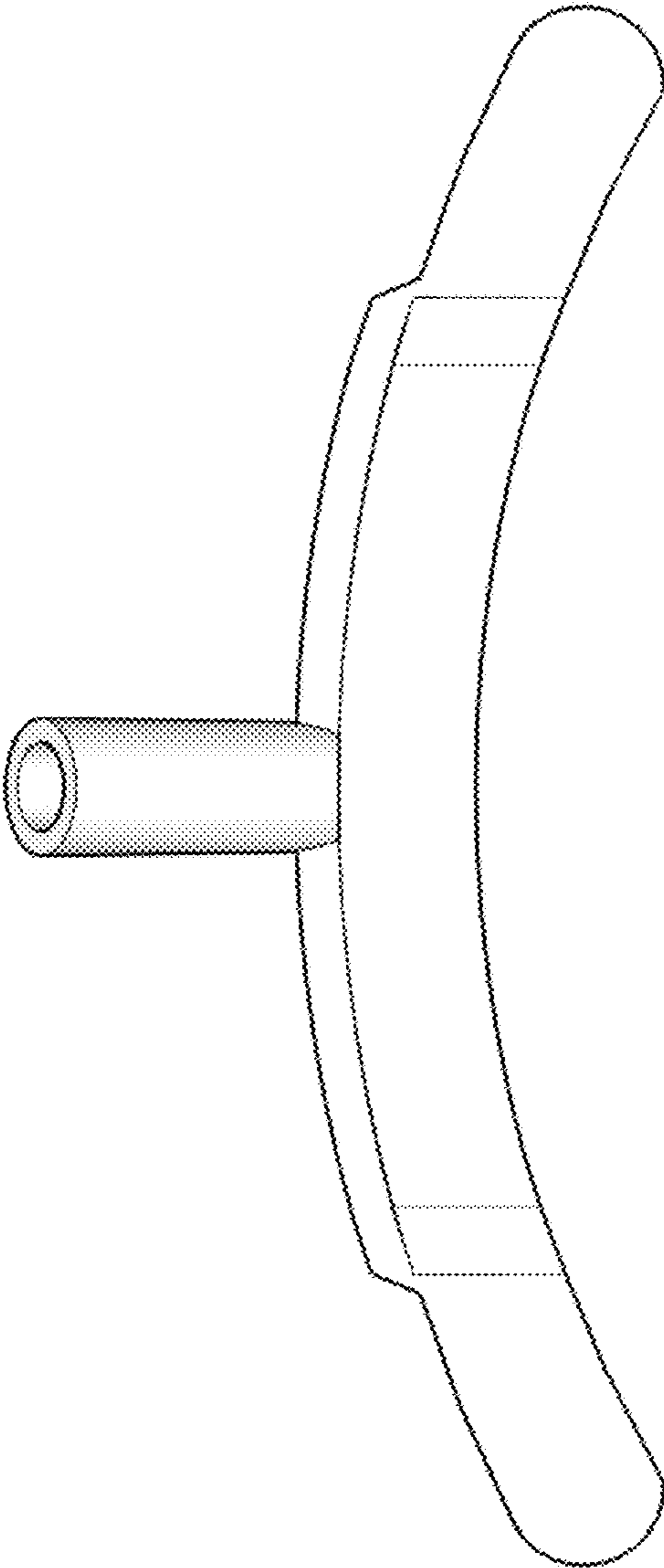


FIG. 7

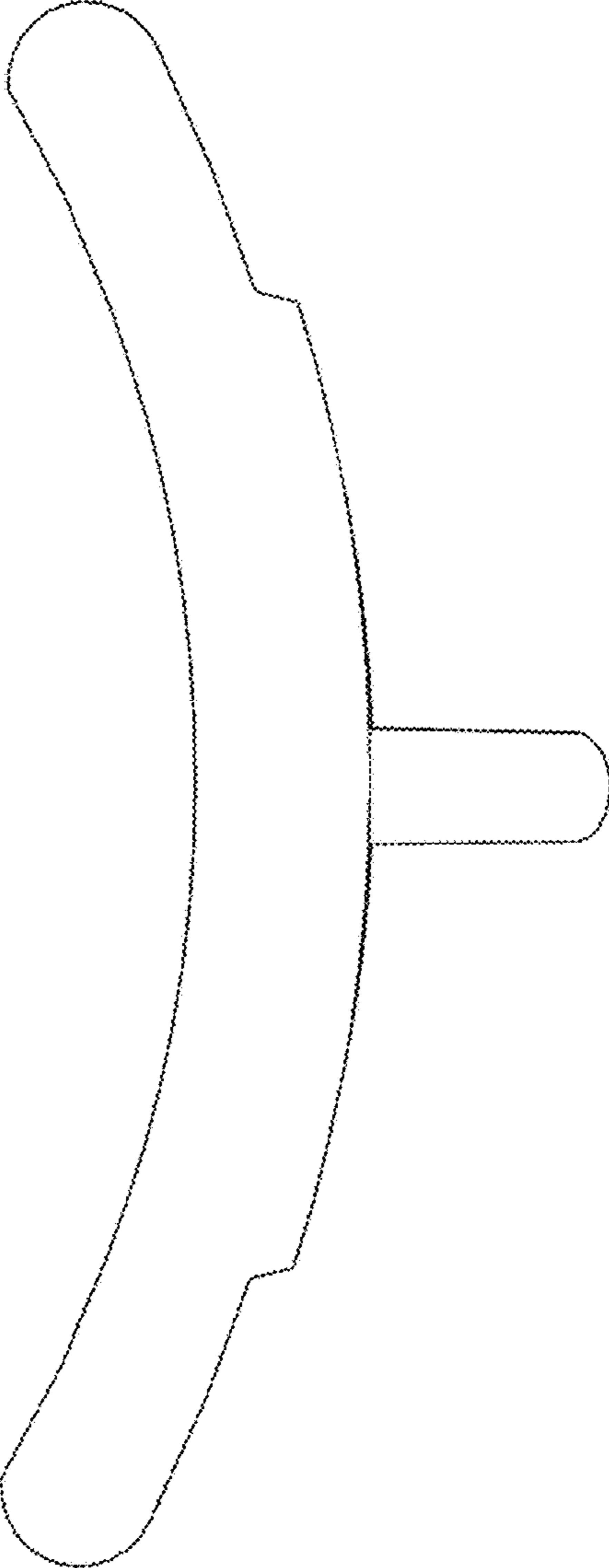


FIG. 8

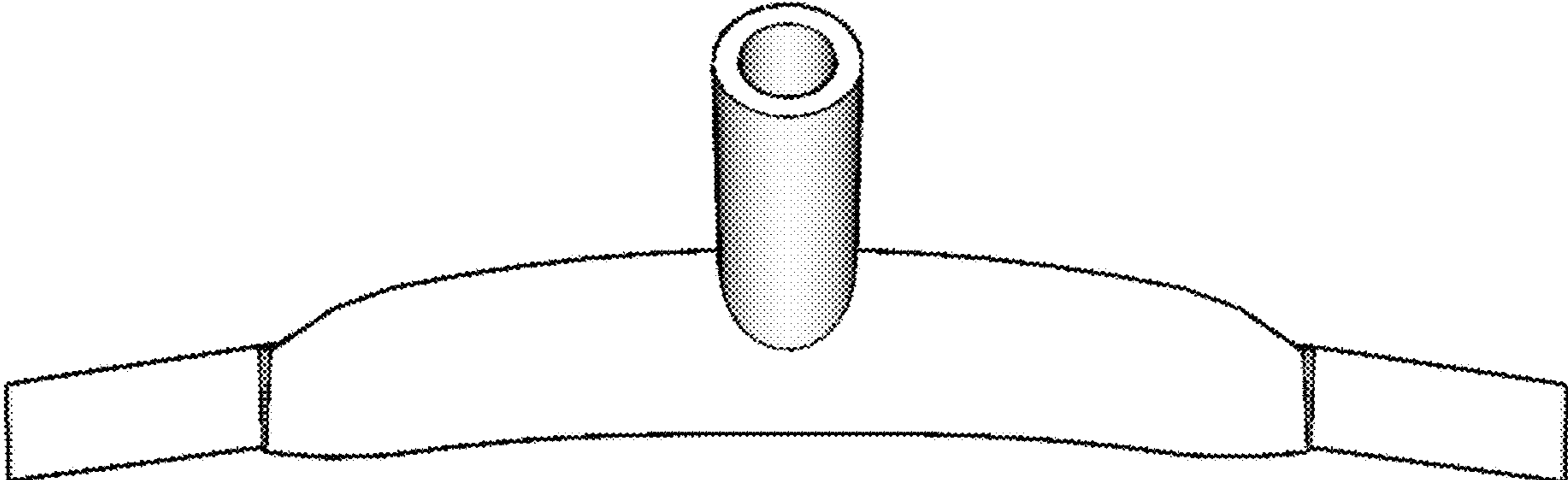


FIG. 9

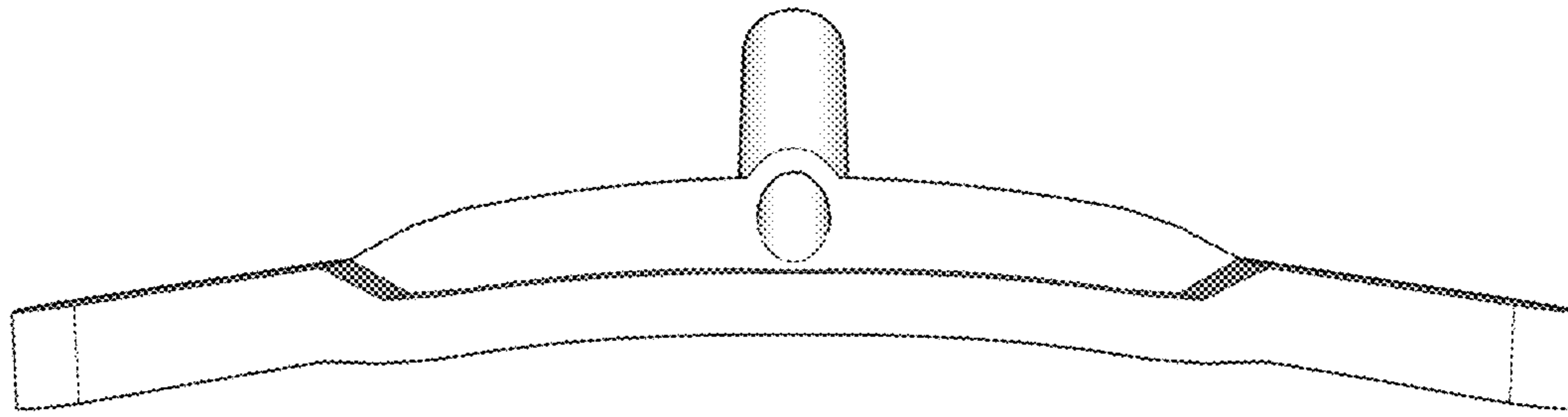


FIG. 10

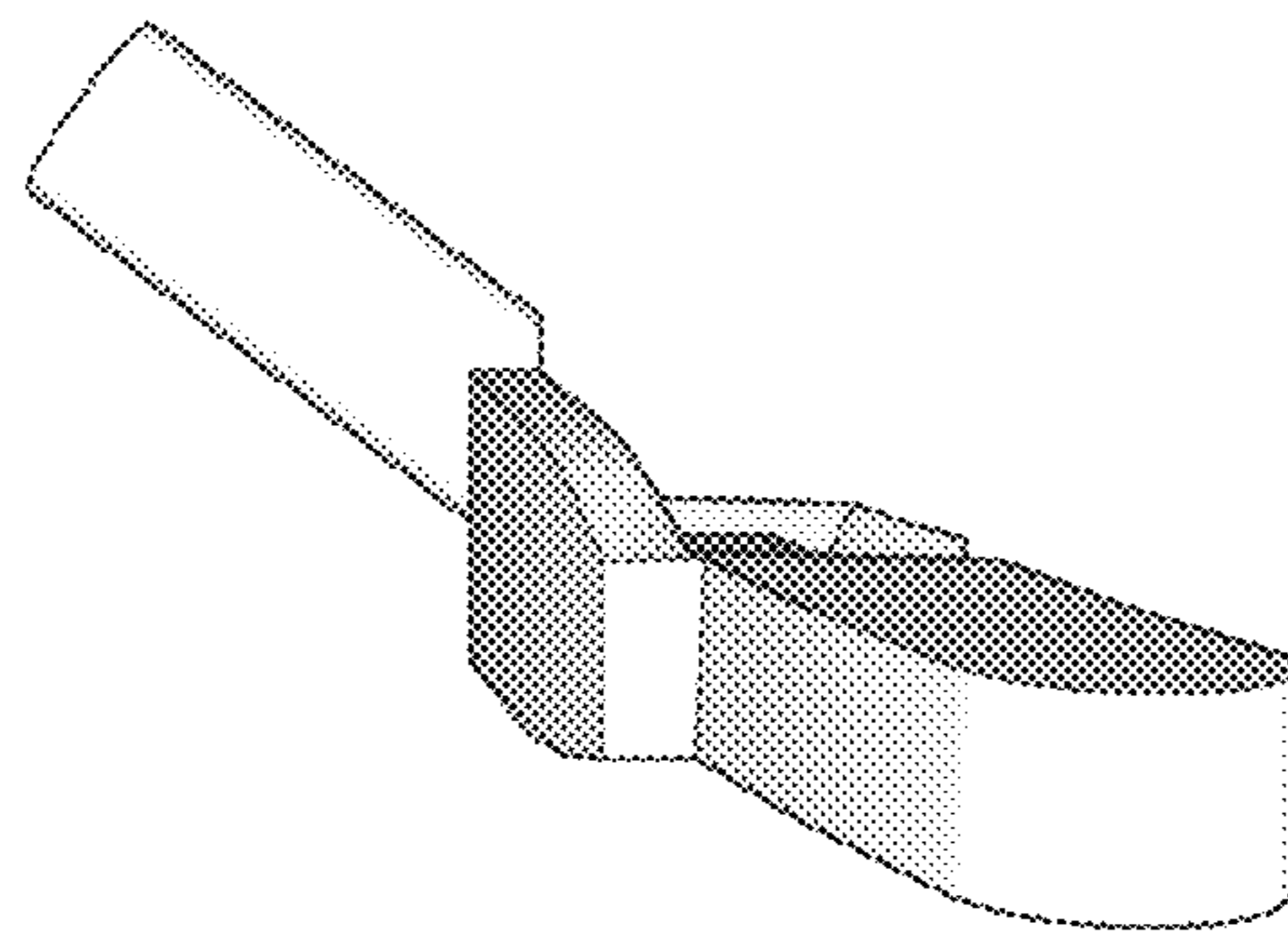


FIG. 11

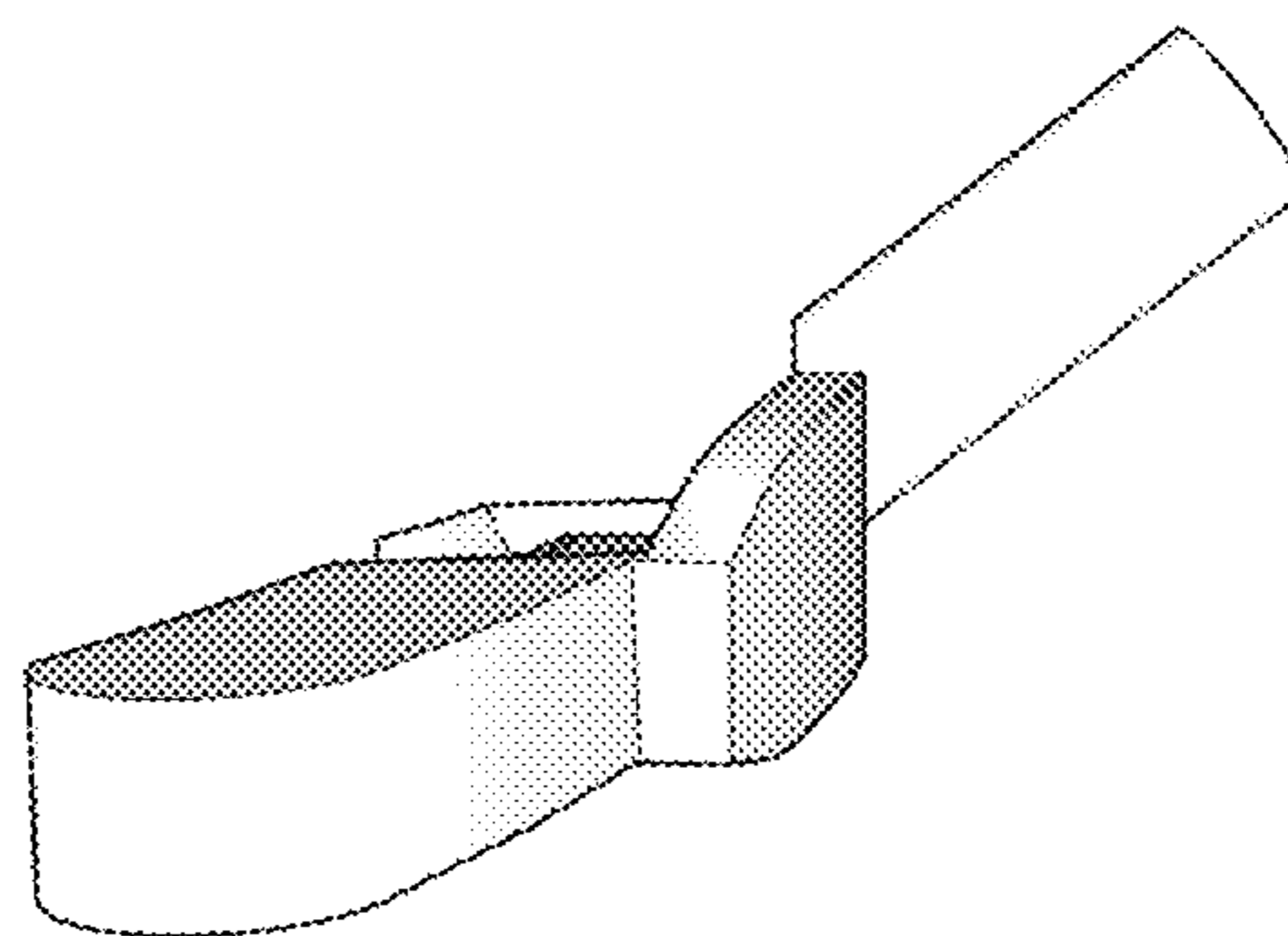


FIG. 12