



US00D947462S

(12) **United States Design Patent**
Berg et al.

(10) **Patent No.:** **US D947,462 S**
(45) **Date of Patent:** **** Mar. 29, 2022**

(54) **FIELD OF VIEW REDUCER**

(71) Applicant: **Ingenjorsbyrå Forma**, Gothenburg (SE)

(72) Inventors: **Emelie Berg**, Gothenburg (SE); **Sofia Ekerhult**, Gråbo (SE)

(73) Assignee: **INGENJÖRSBYRÅ FORMA**, Gothenburg (SE)

(**) Term: **15 Years**

(21) Appl. No.: **29/729,333**

(22) Filed: **Mar. 25, 2020**

(30) **Foreign Application Priority Data**

Oct. 2, 2019 (SE) 2019/0236

(51) **LOC (13) Cl.** **02-99**

(52) **U.S. Cl.**
USPC **D29/122**

(58) **Field of Classification Search**
USPC D29/102-112, 122
CPC .. A62B 18/02; A42B 3/04; A42B 3/22; A42B 1/24; A42B 3/18; A42B 3/06; A42B 3/221; A42B 3/24; A42B 3/0406; A42B 3/227; A42B 3/20; A42B 3/205; A63B 69/00; A63B 69/0002; A63B 69/002; A63B 69/0024; A63B 69/0026; A63B 2243/007; A63B 71/10

See application file for complete search history.

(56) **References Cited**

U.S. PATENT DOCUMENTS

4,392,650 A * 7/1983 Hilton A63B 69/38
473/210
4,999,856 A * 3/1991 DuVall A42B 3/20
2/10

D317,063 S * 5/1991 Johnson D29/110
5,216,758 A * 6/1993 Rabquer A42B 3/20
2/424
5,479,658 A * 1/1996 Harris A42B 3/20
2/424

(Continued)

OTHER PUBLICATIONS

Headzup Sport AB F20 Monteringsfilm (on-line), dated Sep. 30, 2020. Retrieved from Internet Nov. 12, 2021, URL: <https://www.youtube.com/watch?v=SeZlq4QMUAE> (1 page) (Year: 2020).*

Primary Examiner — Kimberly Barnes

(74) *Attorney, Agent, or Firm* — Tucker Ellis LLP

(57) **CLAIM**

The ornamental design for a field of view reducer, as shown and described.

DESCRIPTION

FIG. 1 is a perspective view of an upper portion of a field of view reducer showing our new design separately from the lower portion for clarity of illustration; FIG. 2 is a front view thereof; FIG. 3 is a right side view thereof, a left side view being a mirror image of the right side view; FIG. 4 is a front right top perspective view of a lower portion of the field of view reducer, shown separately from the upper portion for clarity of illustration; FIG. 5 is a front left top perspective view thereof; FIG. 6 is a front view thereof; FIG. 7 is a rear view thereof; FIG. 8 is a right side view thereof, a left side view being a mirror image of the right side view; FIG. 9 is a front right top perspective view of the field of view reducer where the upper and lower portions are combined for use; FIG. 10 is a front left top perspective view thereof; FIG. 11 is a front view thereof; FIG. 12 is a rear view thereof; and,

(Continued)

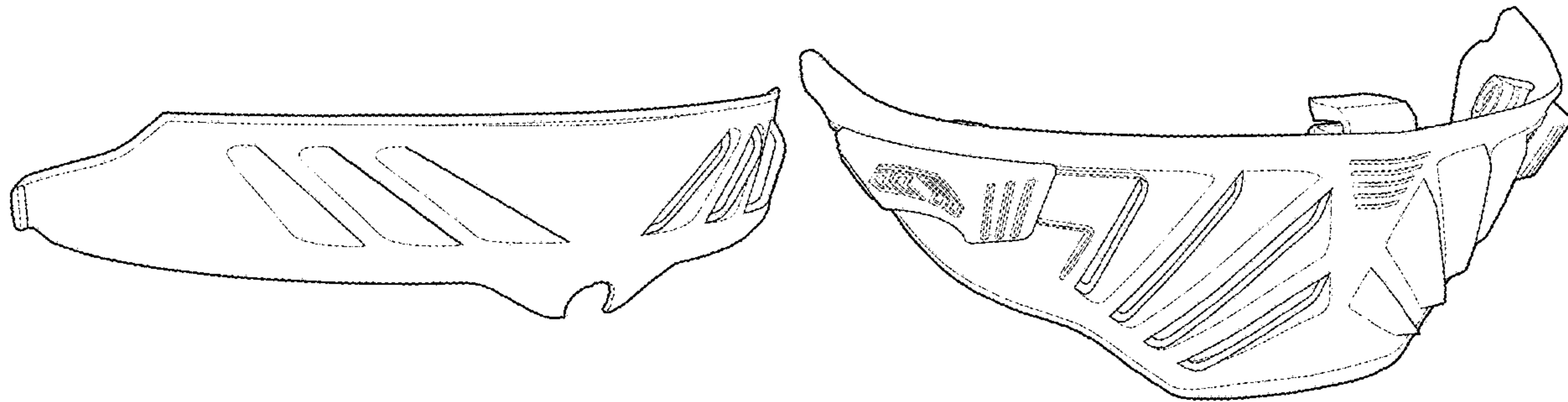


FIG. 13 is a right side view thereof, a left side view being a mirror image of the right side view.

1 Claim, 6 Drawing Sheets

(56)

References Cited

U.S. PATENT DOCUMENTS

D407,858 S * 4/1999 Cyr D29/108
6,938,272 B1 * 9/2005 Brown A42B 3/20
2/424
6,976,272 B2 12/2005 Krzysik, Jr. et al.
D557,461 S * 12/2007 Probst D29/108
7,814,577 B2 * 10/2010 Page A42B 3/20
2/245
8,296,869 B2 * 10/2012 Kellogg A42B 3/0406
2/424
D706,489 S * 6/2014 Huffman D29/108
D770,691 S * 11/2016 Bayer D29/122
10,004,968 B2 * 6/2018 Valadez A63B 69/0002
D851,336 S * 6/2019 Han D29/108
D855,894 S * 8/2019 Han D29/108
D899,000 S * 10/2020 Krum D29/110
D900,405 S * 10/2020 Stevens D29/110
2009/0014005 A1 * 1/2009 MacKinnon A62B 23/02
128/206.12
2011/0061152 A1 * 3/2011 Wismann A42B 3/20
2/424
2017/0086528 A1 * 3/2017 Reese A42B 3/20
2020/0315280 A1 * 10/2020 Kaye A42B 3/20
2021/0093036 A1 * 4/2021 Durocher A42B 3/221
2021/0127777 A1 * 5/2021 Smith, Sr. A42B 3/20
2021/0337912 A1 * 11/2021 Durocher A42B 3/205

* cited by examiner

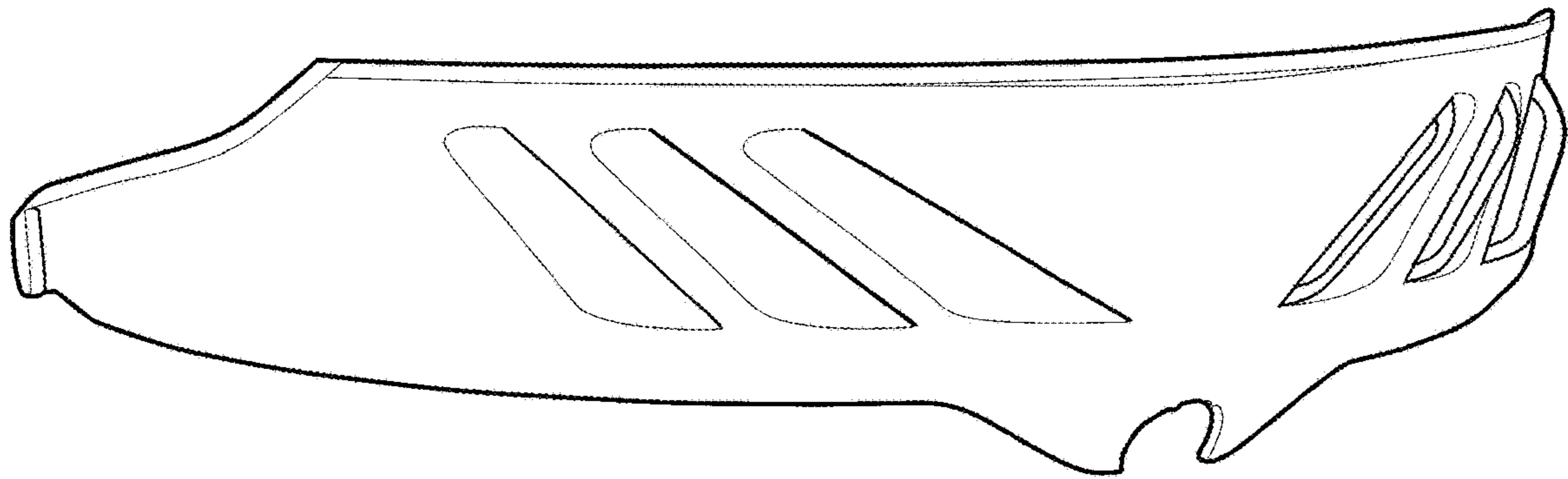


FIG. 1

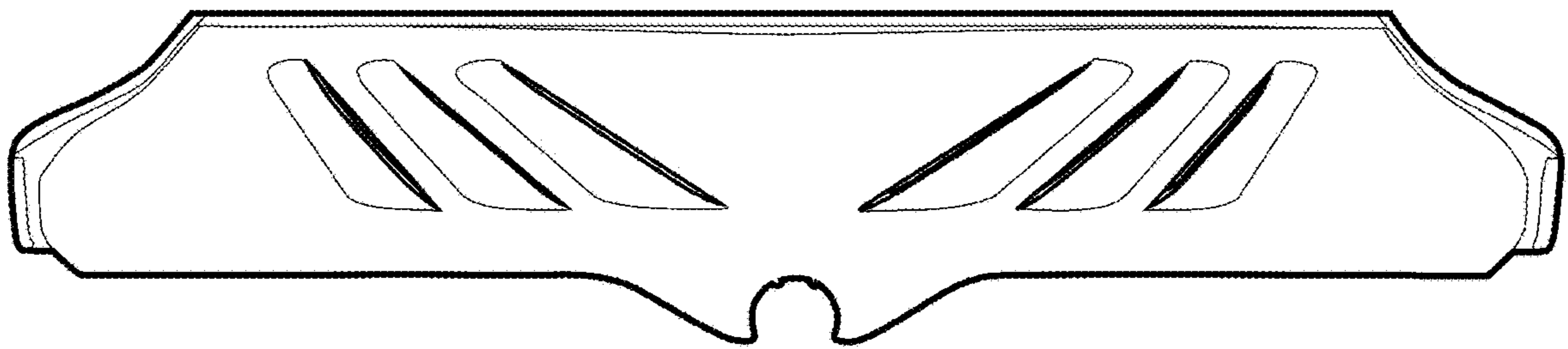


FIG. 2

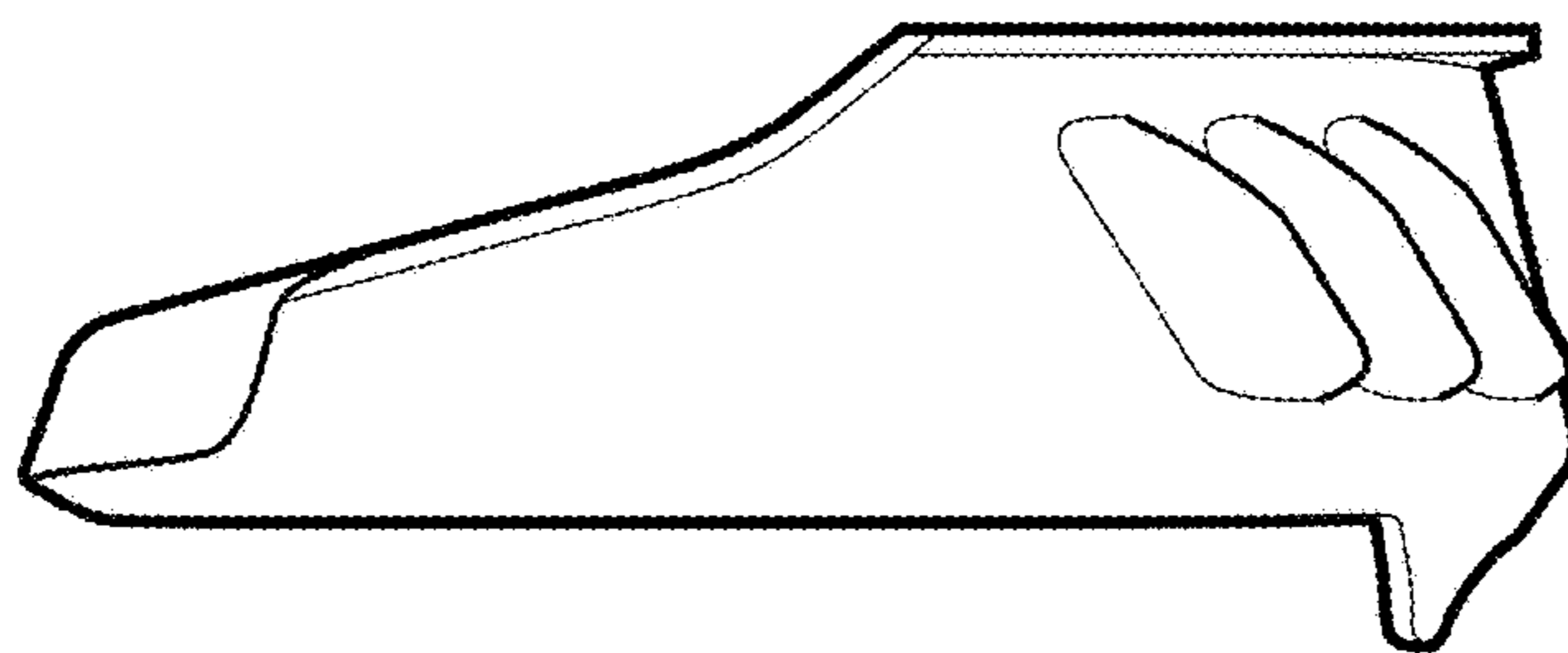


FIG. 3

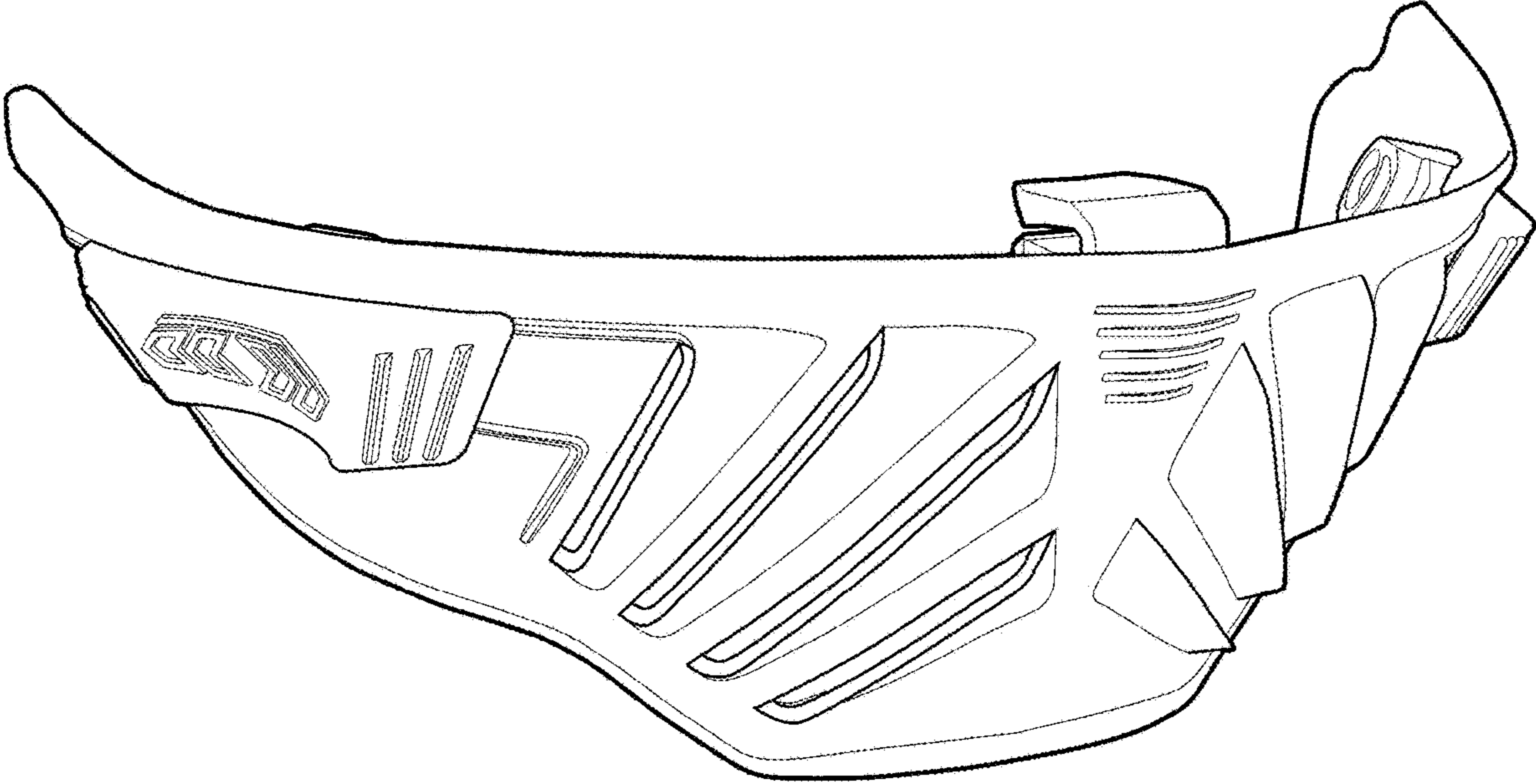


FIG. 4

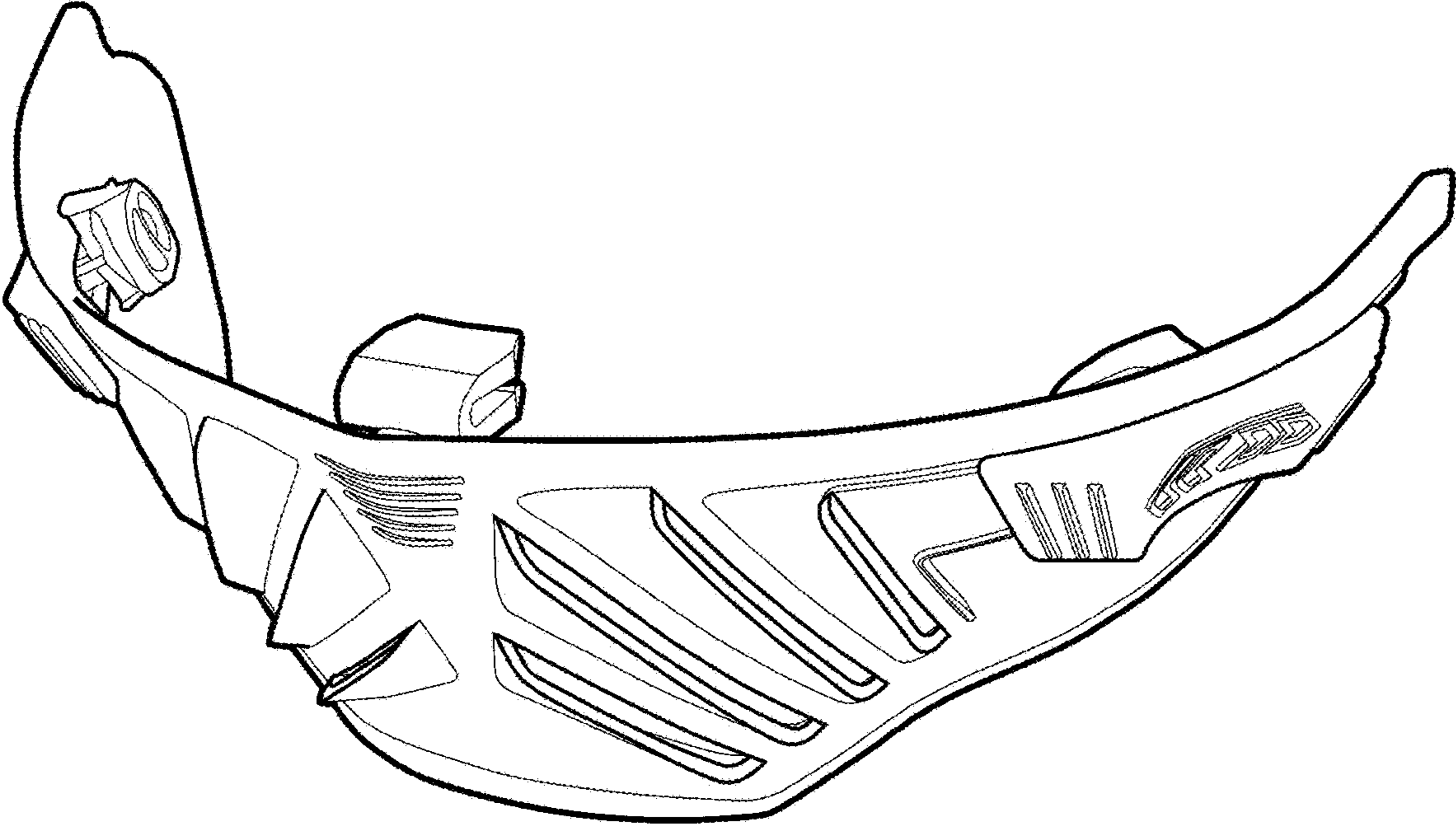


FIG. 5

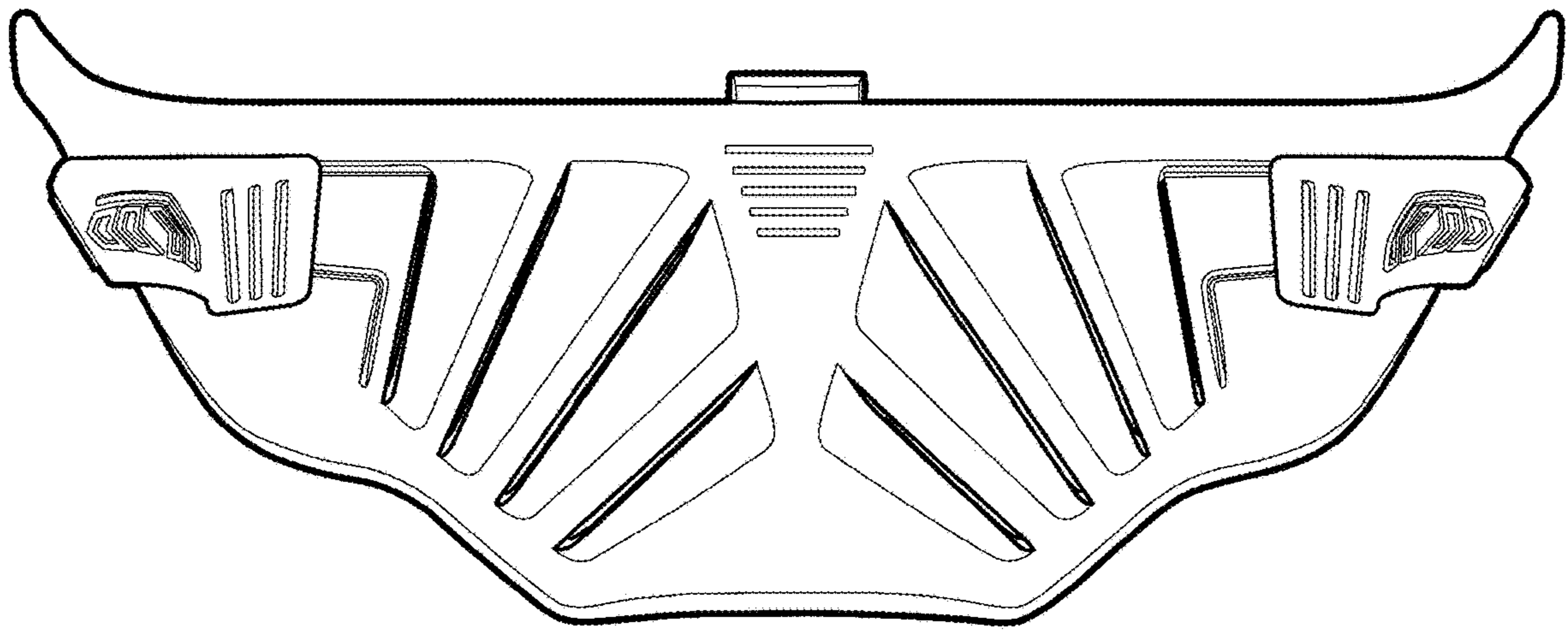


FIG. 6

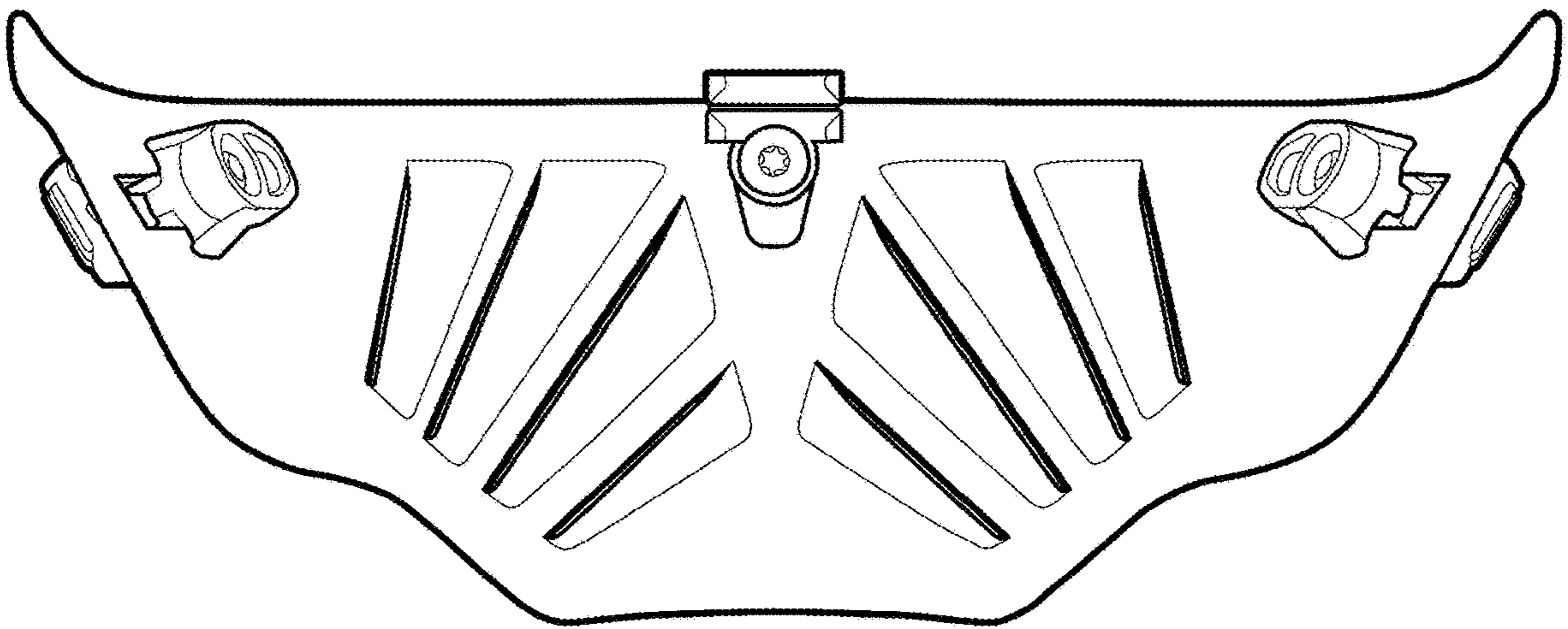


FIG. 7

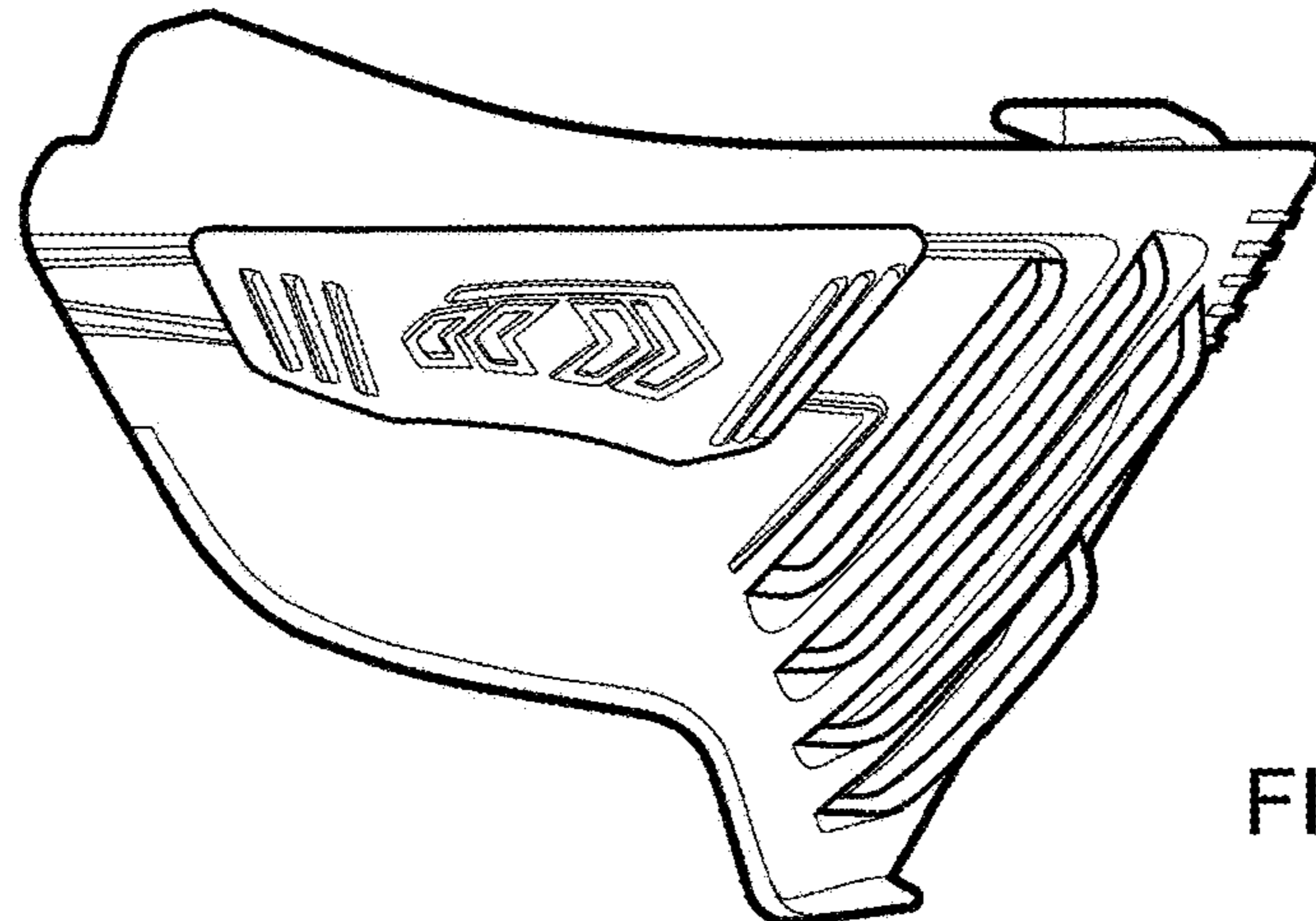


FIG. 8

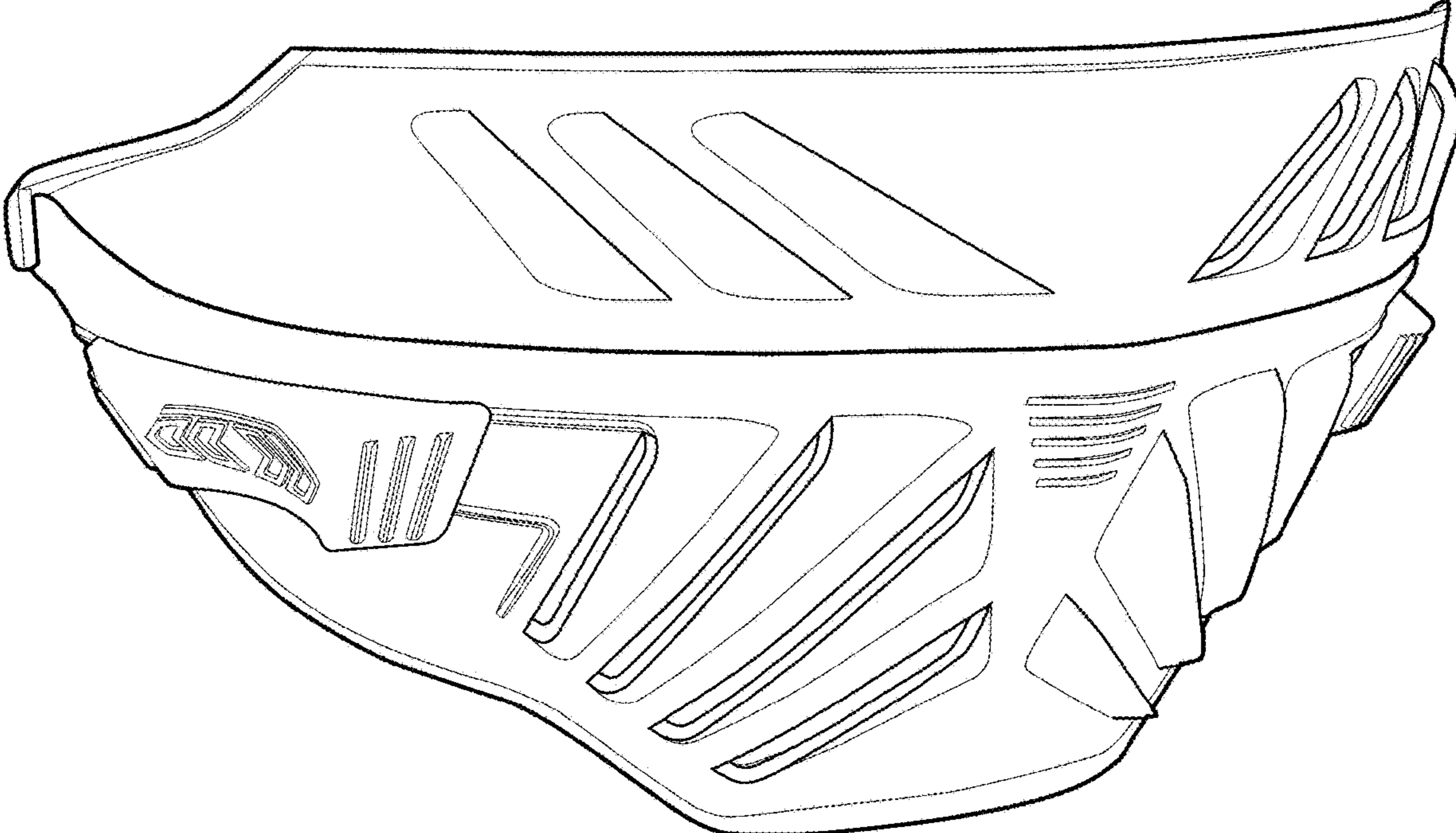


FIG. 9

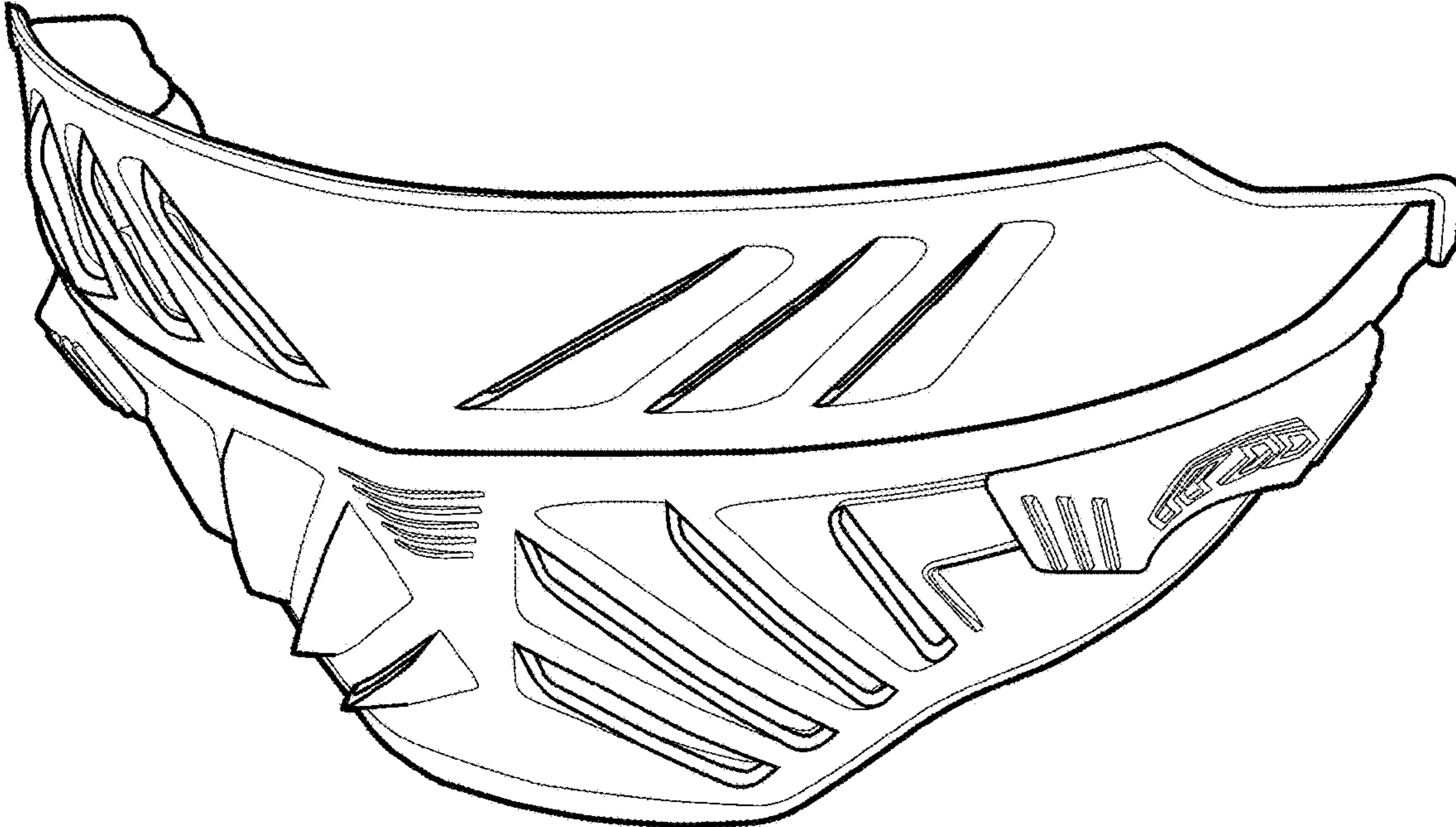


FIG. 10

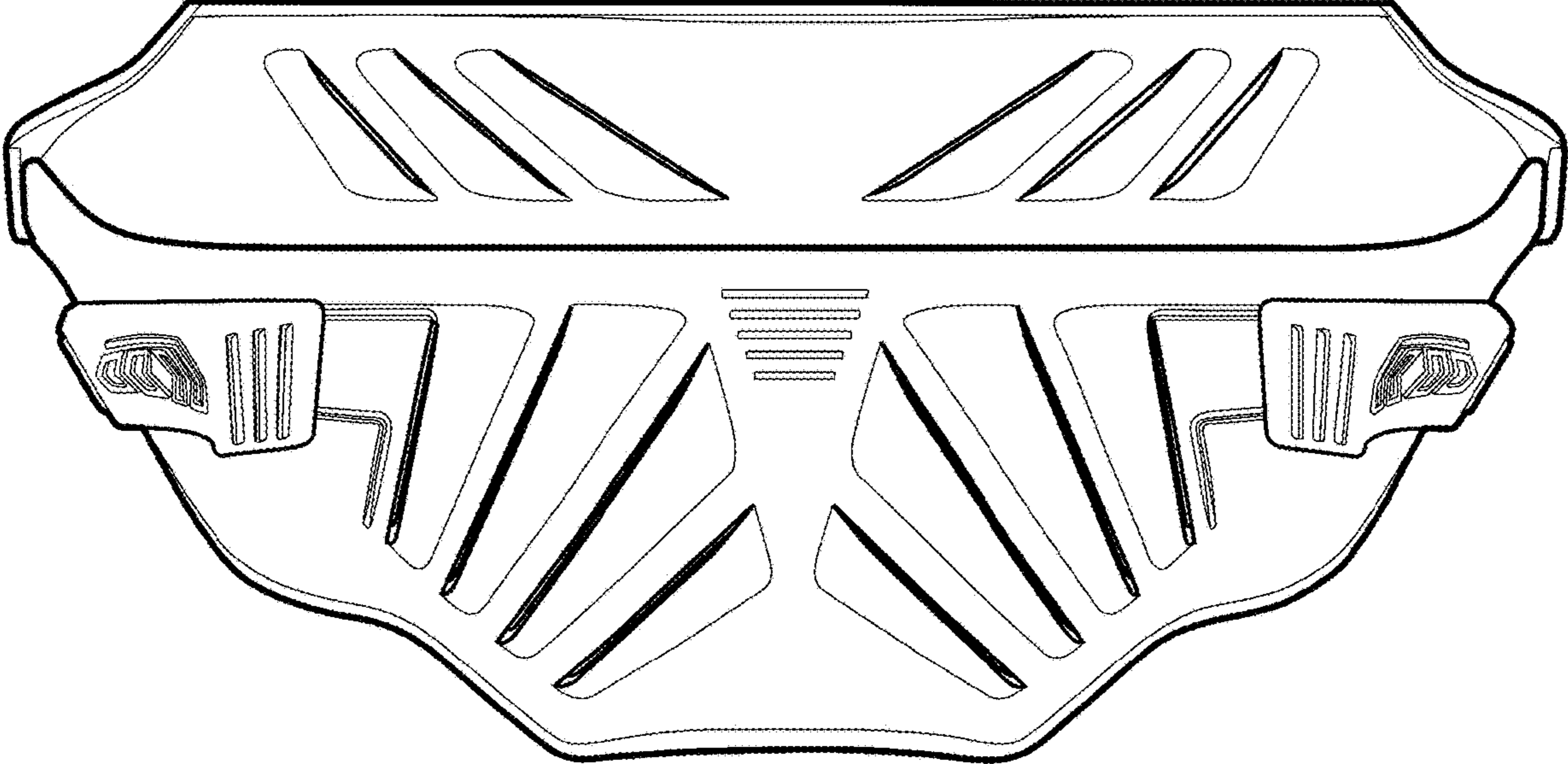


FIG. 11

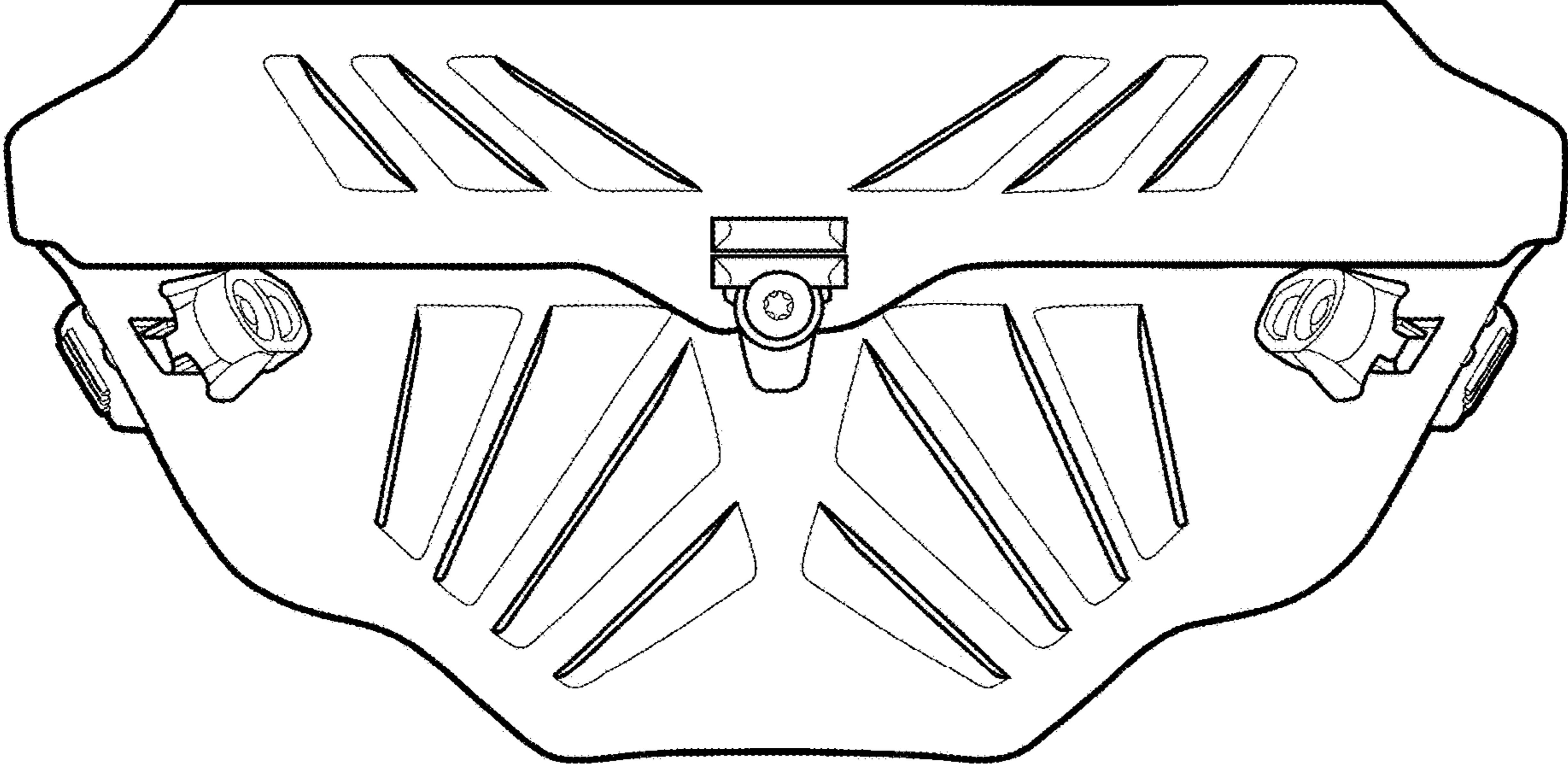


FIG. 12

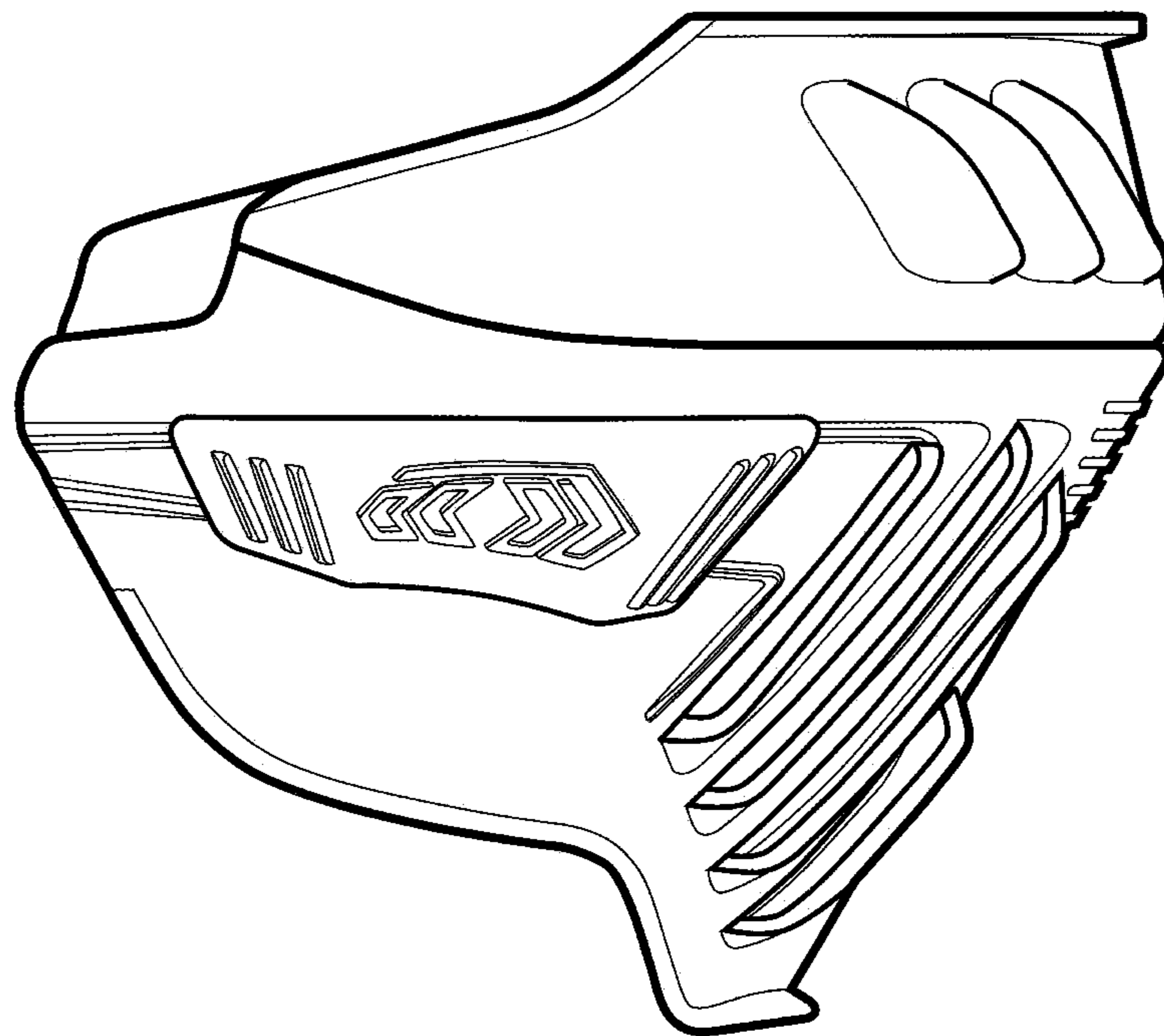


FIG. 13