

US00D947461S

(12) **United States Design Patent** (10) **Patent No.:** **US D947,461 S**
Voss et al. (45) **Date of Patent:** **** Mar. 29, 2022**

(54) **VERTICAL FALL ARREST SAFETY DEVICE**

FOREIGN PATENT DOCUMENTS

(71) Applicant: **SAYFA R&D PTY LTD**, Boronia (AU)

EP 2248989 A1 11/2010
GB 1092856 A 11/1967

(72) Inventors: **Barry Voss**, Boronia (AU); **Murray Voss**, Boronia (AU)

(Continued)

(73) Assignee: **SAYFA R&D PTY LTD**, Boronia (AU)

<https://industrialsafety.honeywell.com/en-us/products/by-category/fall-protection/fall-protection-kits/miller-vi-go-ladder-climbing-safety-systems-cable>.

(**) Term: **15 Years**

(Continued)

(21) Appl. No.: **29/699,809**

(22) Filed: **Jul. 29, 2019**

Primary Examiner — Gino Colan

(30) **Foreign Application Priority Data**

(74) *Attorney, Agent, or Firm* — Innovation Capital Law Group, LLP; Vic Lin

Jan. 30, 2019 (AU) 201910451

(51) **LOC (13) Cl.** **02-99**

(57) **CLAIM**

The ornamental design for a vertical fall arrest safety device, as shown and described.

(52) **U.S. Cl.**

DESCRIPTION

USPC **D29/122**

(58) **Field of Classification Search**

USPC D25/68; D29/100, 122; 182/3, 192;
188/65.2

CPC . A62B 35/04; A62B 35/0068; A62B 35/0093;
A62B 1/10; A62B 35/0037; E04G
21/3276; E04G 21/3295; E04G 5/001;
E06C 7/18; E06C 7/186

See application file for complete search history.

FIG. 1 is a top plan view of a vertical fall arrest safety device, showing our new design;
FIG. 2 is a bottom plan view thereof;
FIG. 3 is a left elevation view thereof;
FIG. 4 is a front elevation view thereof;
FIG. 5 is a right elevation view thereof;
FIG. 6 is a left top perspective view thereof;
FIG. 7 is a left bottom perspective view thereof;
FIG. 8 is a right top perspective view thereof;
FIG. 9 is a right bottom perspective view thereof;
FIG. 10 is right rear perspective view thereof;
FIG. 11 is a left rear perspective view thereof;
FIG. 12 is a left rear perspective disengaged view thereof;
FIG. 13 is a right rear perspective exploded view thereof;
and,
FIG. 14 is a right front perspective exploded view thereof.
The broken lines shown in the figures are for the purpose of illustrating environment and form no part of the claimed design.

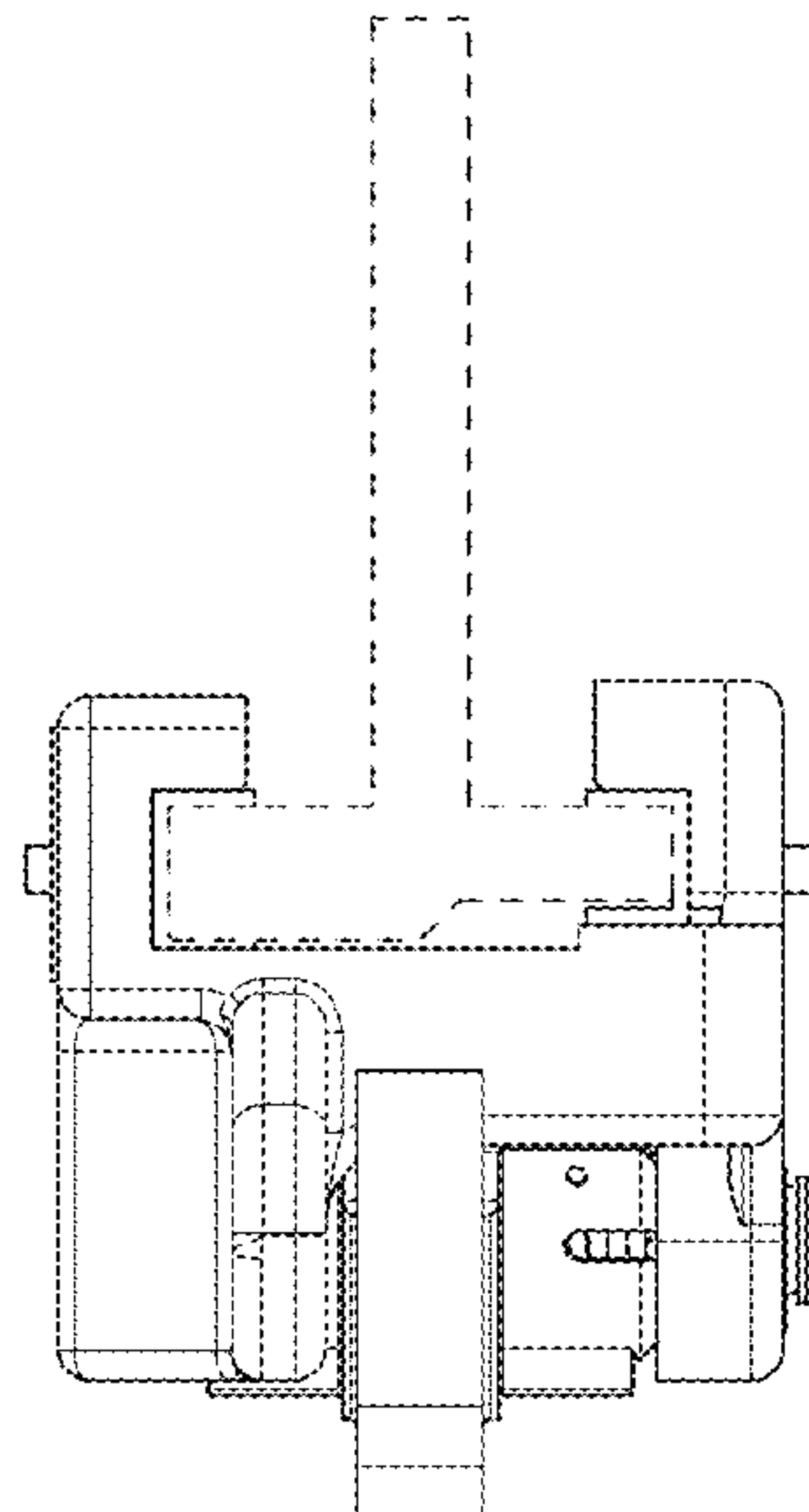
(56) **References Cited**

U.S. PATENT DOCUMENTS

3,762,500 A 10/1973 Sarno
3,885,647 A 5/1975 Acosta
3,970,400 A 7/1976 Reid
4,352,409 A 10/1982 Fountain
4,524,848 A 6/1985 Russo
4,802,643 A 2/1989 Uys

(Continued)

1 Claim, 14 Drawing Sheets



(56)

References Cited

U.S. PATENT DOCUMENTS

4,823,912 A 4/1989 Gould et al.
 4,917,216 A 4/1990 Kimber
 5,265,696 A 11/1993 Casebolt
 5,560,731 A 10/1996 Kronenberg
 6,161,647 A 12/2000 Braden et al.
 6,324,988 B1 12/2001 Svensson
 6,408,587 B2 6/2002 Cronin et al.
 6,837,337 B2 1/2005 Thomas et al.
 6,929,094 B1 8/2005 Kohlmeier et al.
 7,137,478 B2 11/2006 Becker
 8,152,115 B2 4/2012 Blichmann
 8,205,717 B2 6/2012 Sutton
 9,797,186 B2 10/2017 Kronenberg et al.
 9,861,841 B1* 1/2018 Hung A62B 35/0093
 9,884,211 B2* 2/2018 Hirst A62B 35/04
 10,236,821 B1 3/2019 Atia et al.
 10,737,913 B2* 8/2020 Casas Alvarez B66C 1/666
 11,052,270 B2* 7/2021 Voss E06C 7/187
 2005/0189172 A1 9/2005 Becker
 2010/0032239 A1* 2/2010 Rinklake E06C 7/186
 182/192
 2011/0011679 A1 1/2011 Leng
 2011/0186382 A1* 8/2011 Sudale A62B 1/14
 182/3
 2011/0186388 A1* 8/2011 Sudale A62B 1/14
 188/65.2
 2012/0247869 A1 10/2012 Anderson
 2014/0000191 A1 1/2014 Snyker et al.

2015/0090531 A1 4/2015 Yang
 2019/0099626 A1* 4/2019 Codega A62B 1/14
 2019/0224503 A1* 7/2019 Malcolm A62B 1/14
 2019/0314651 A1* 10/2019 Chabod A62B 1/14

FOREIGN PATENT DOCUMENTS

GB 1452204 A 10/1976
 JP 2007270452 A 10/2007
 NL 2017371 B1 3/2018
 WO 0238222 A1 5/2002
 WO 2017070314 A1 4/2017
 WO 2019018888 A1 1/2019

OTHER PUBLICATIONS

https://www.3m.com/3M/en_US/company-us/all-3m-products/?N=5002385+8709322+8711017+8711405+8720539+8720544+8735085+8737761+3294857497&rt=r3.
<https://www.avanti-online.com/products/fps>.
<https://www.capitalsafety.com/aunzadmin/pages/Product-Category-Overview-Page.aspx?prodCatId=6>.
https://www.skylotec.com/eu_en/permanent-systems/products/vertical-fall-arrest-systems/.
 International Search Report & Written Opinion dated Sep. 3, 2018 from PCT Application No. PCT/AU2018/050768.
 UK Search Report dated Nov. 28, 2019 from Application No. GB1908493.8.

* cited by examiner

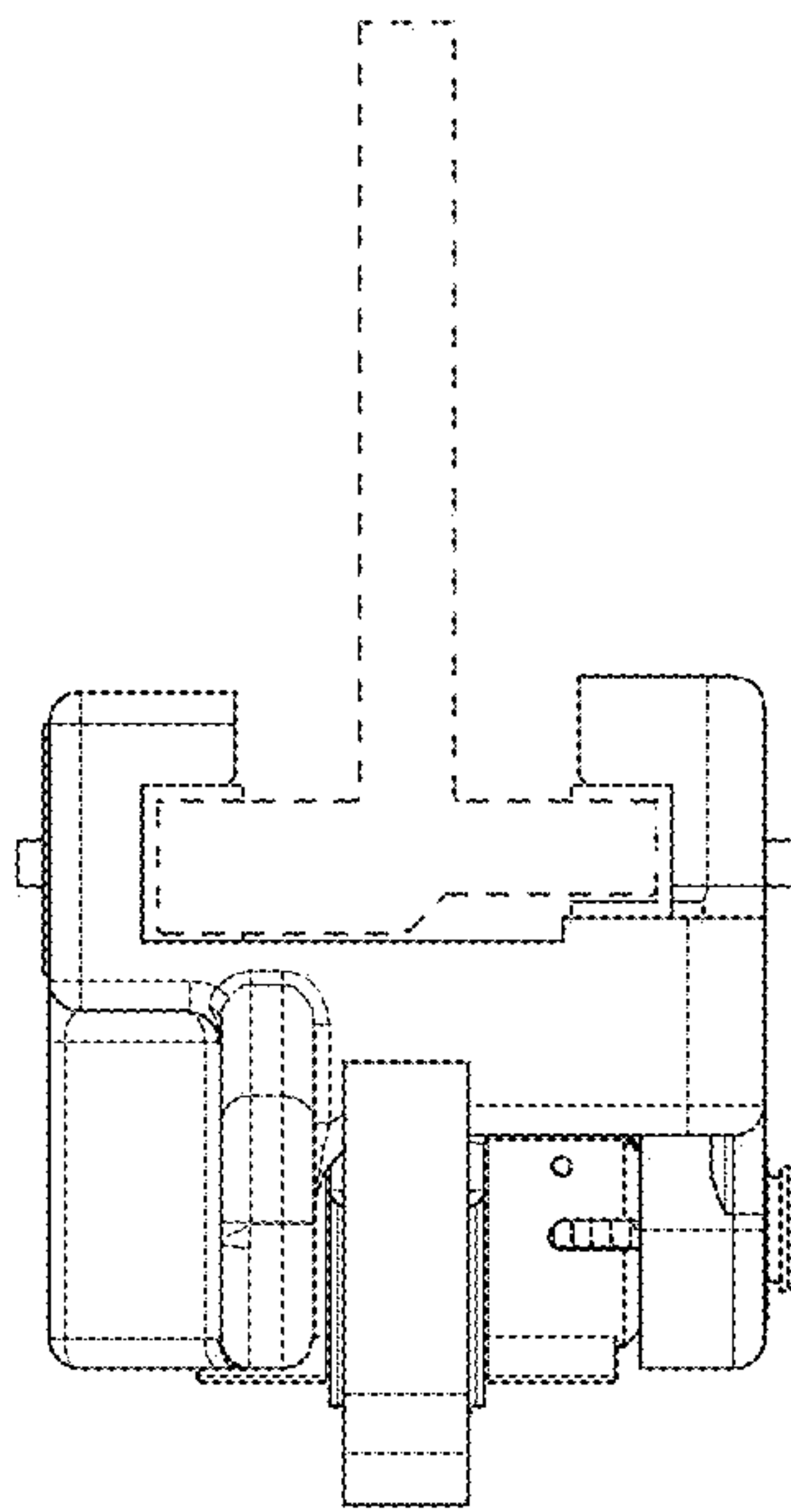


FIG. 1

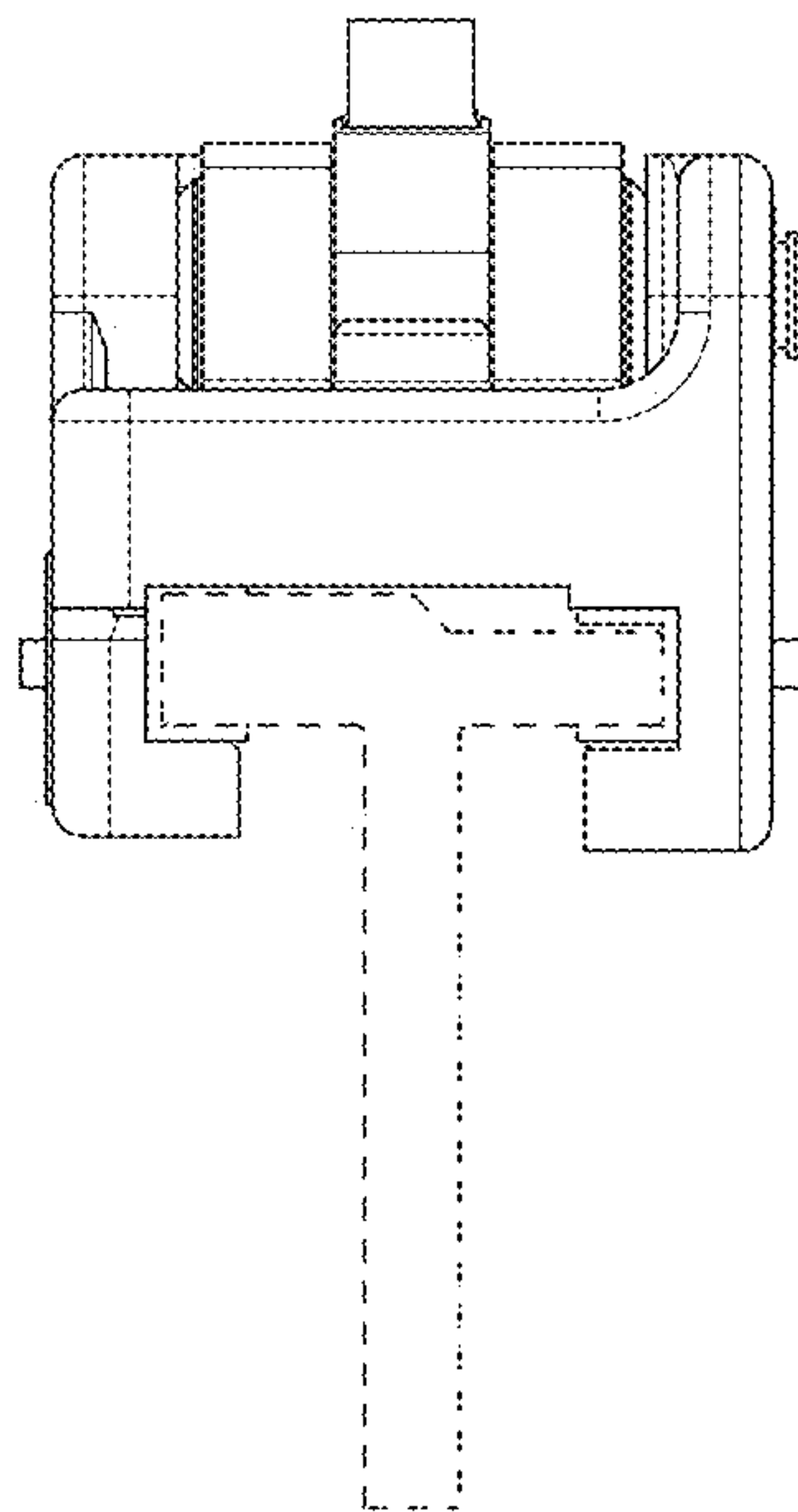


FIG. 2

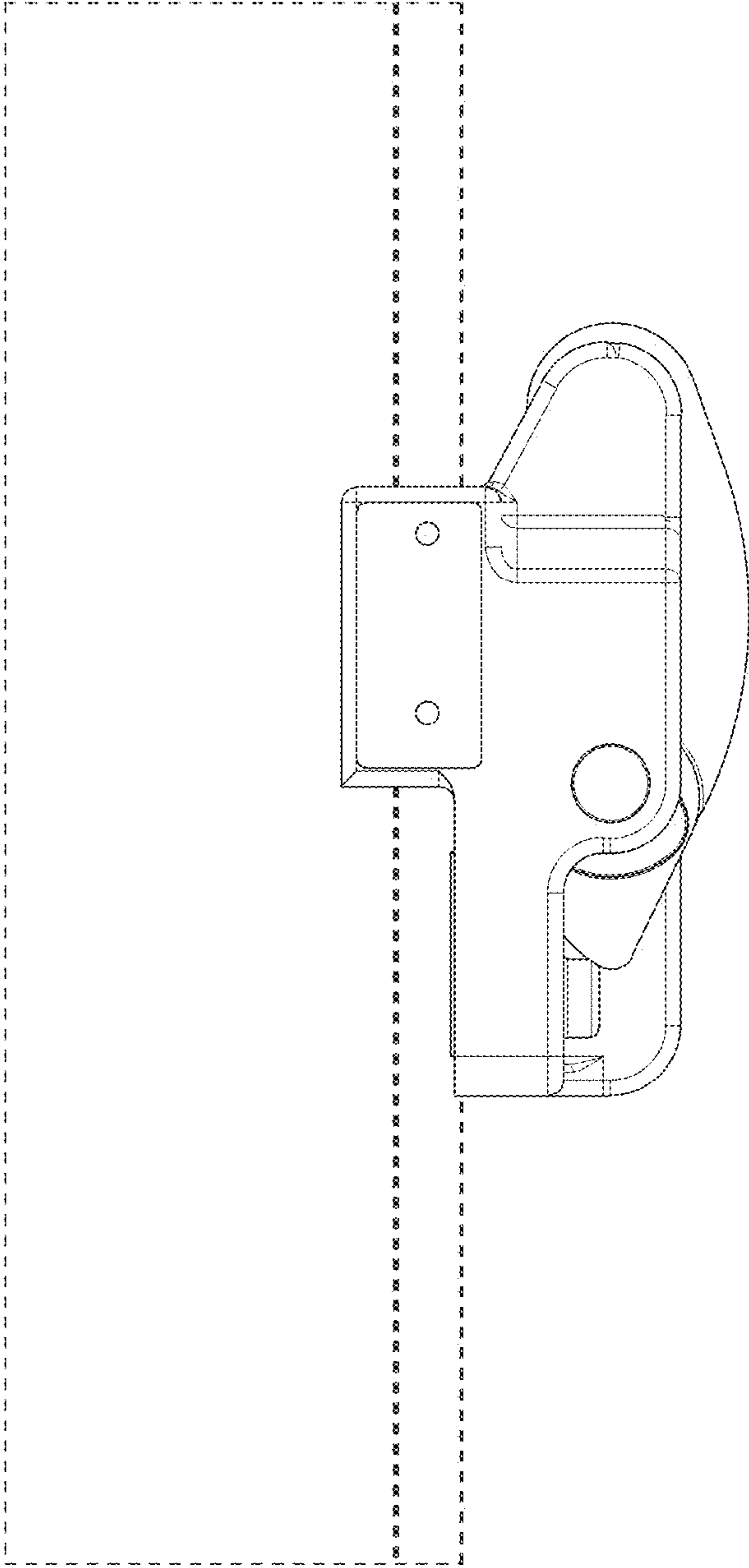


FIG. 3

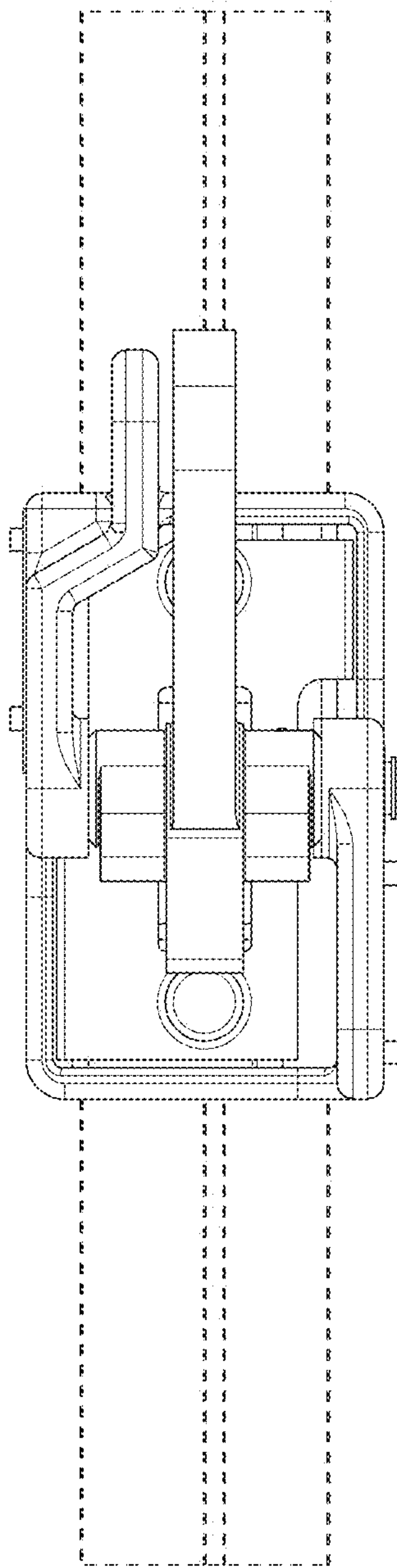


FIG. 4

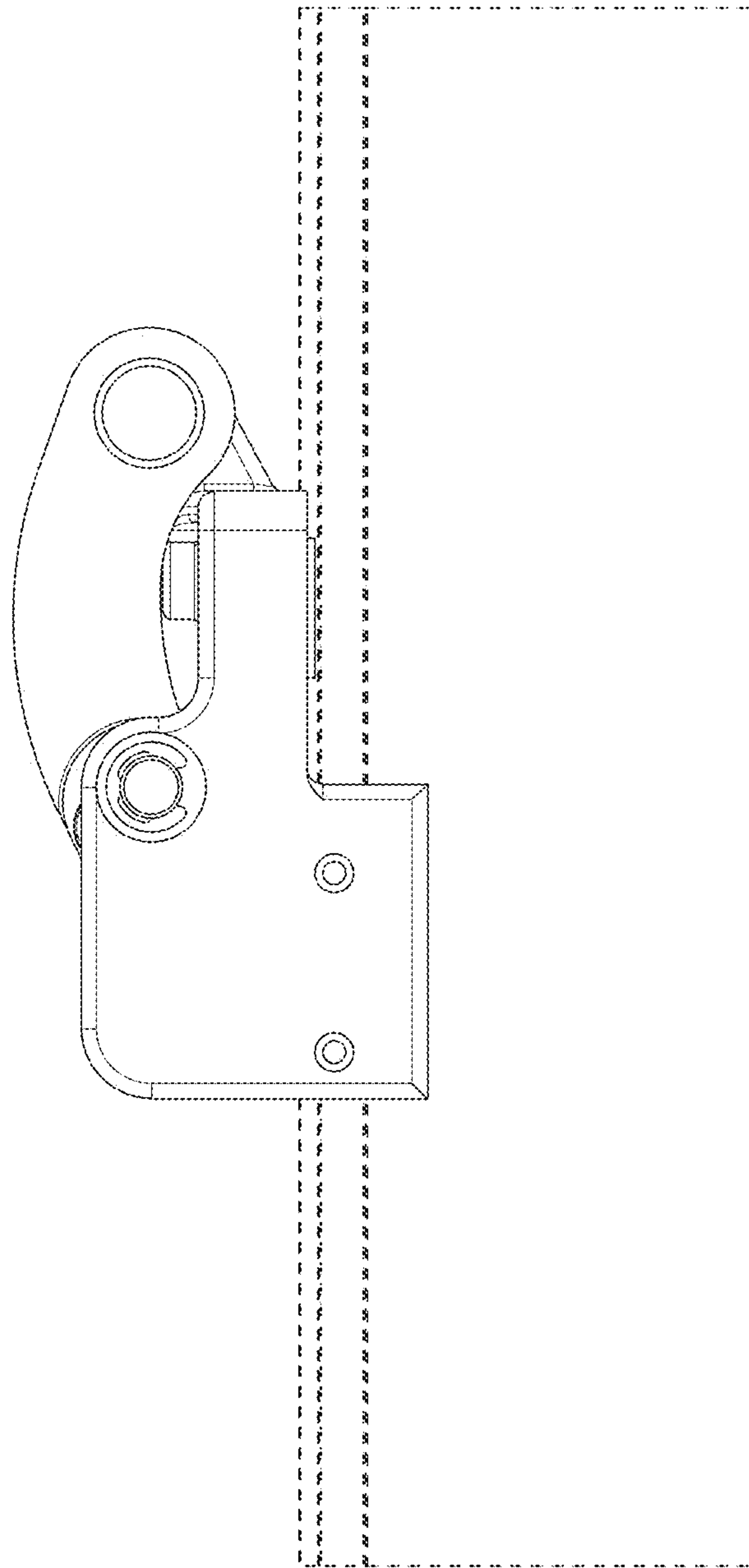


FIG. 5

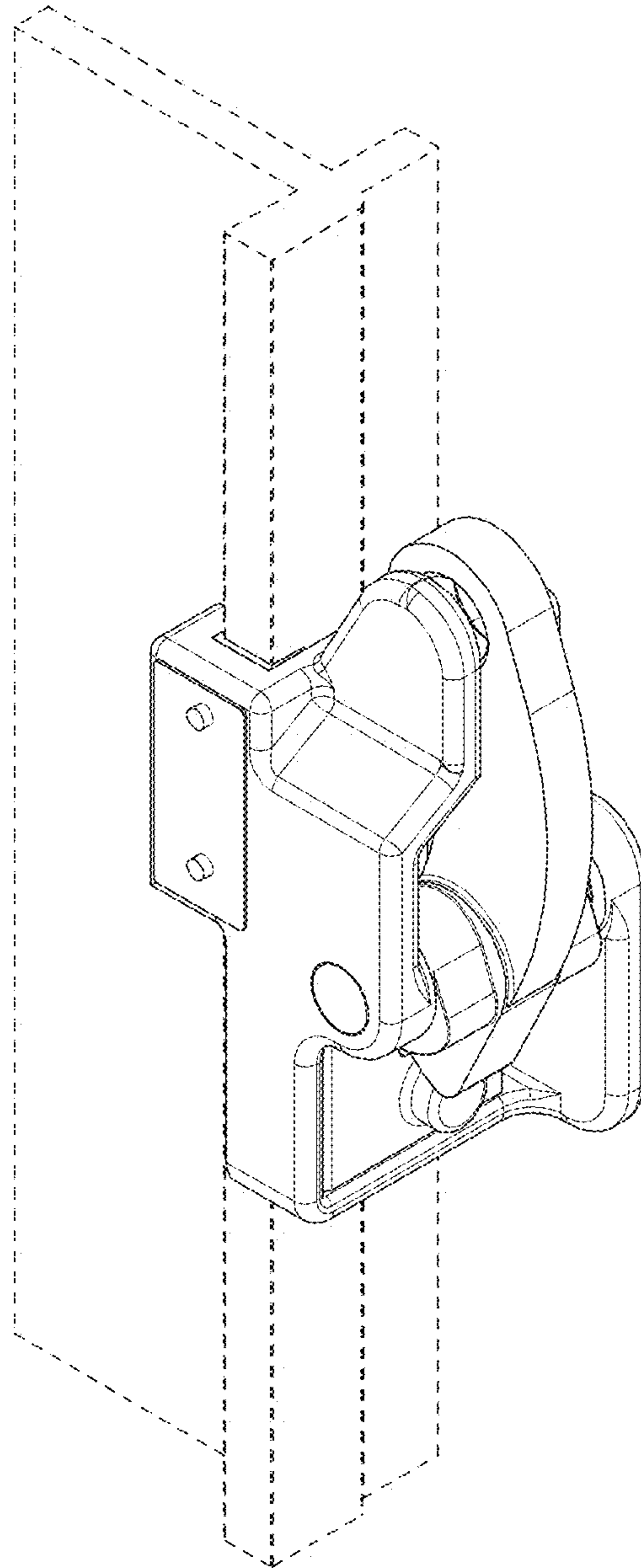


FIG. 6

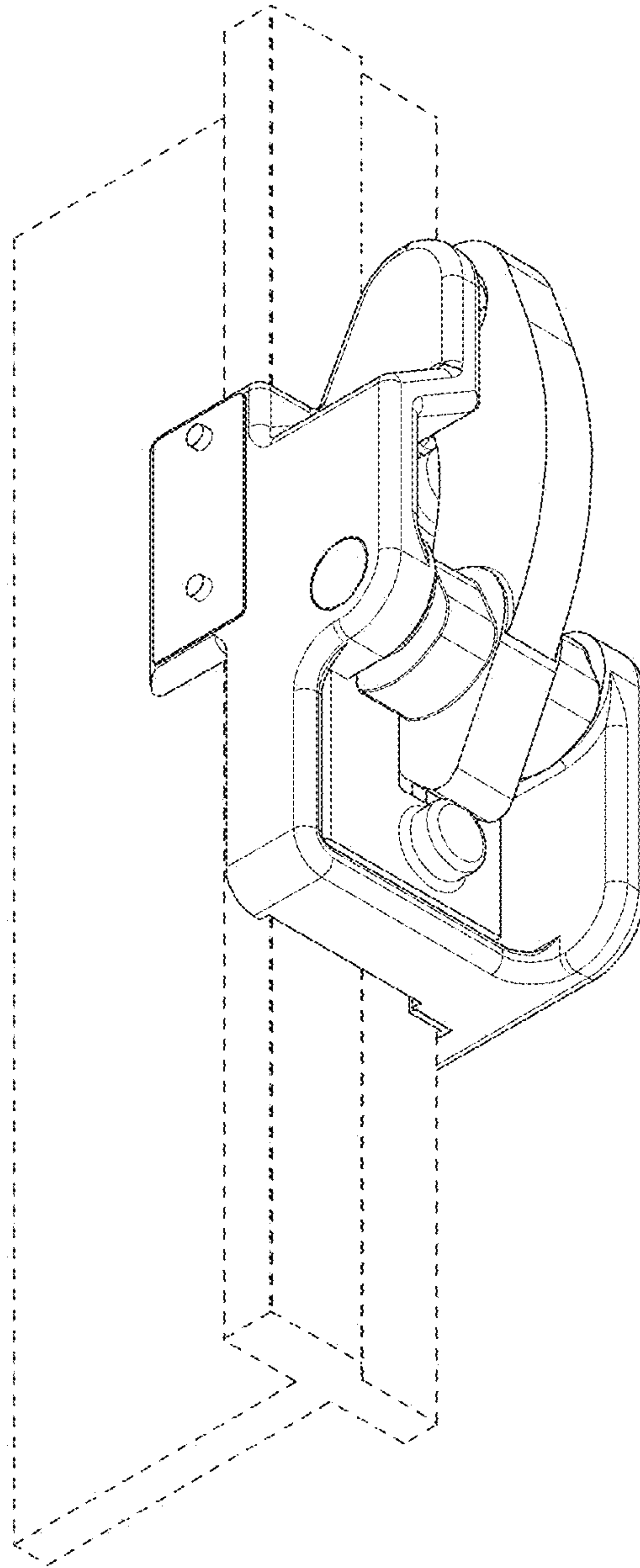


FIG. 7

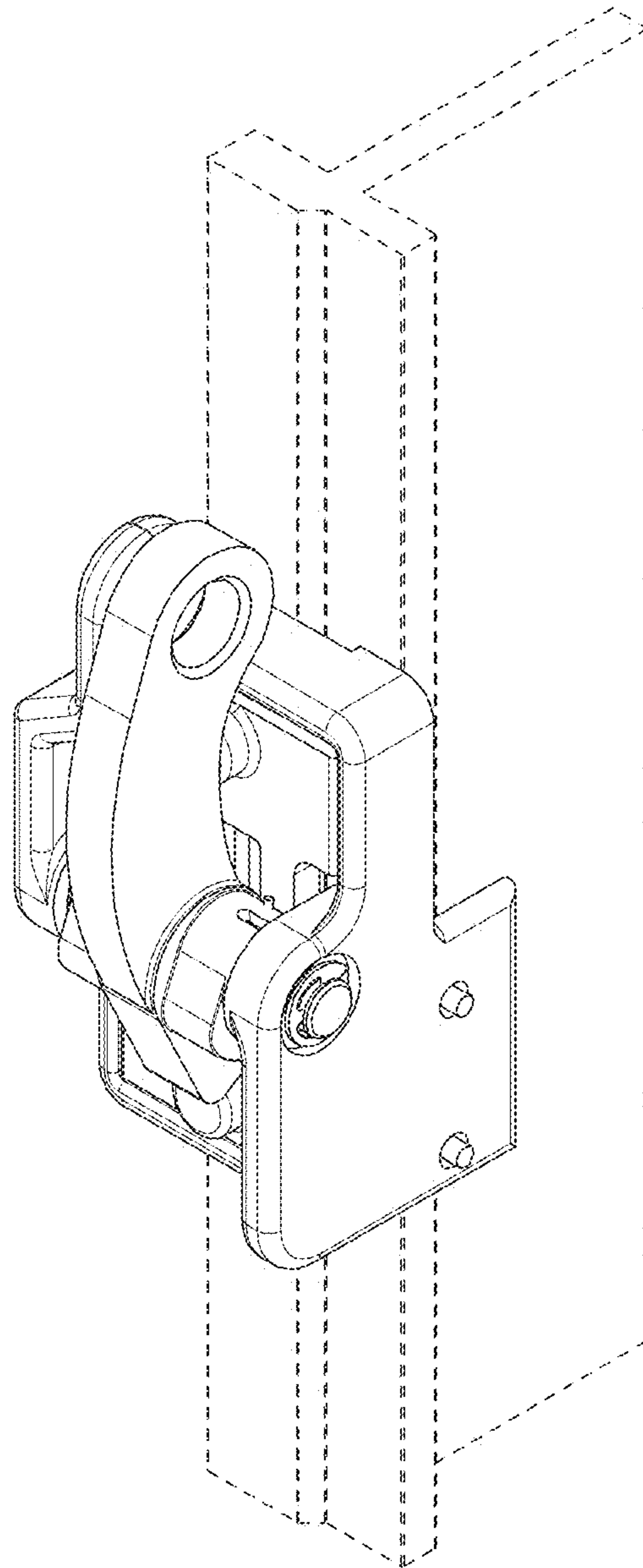


FIG. 8

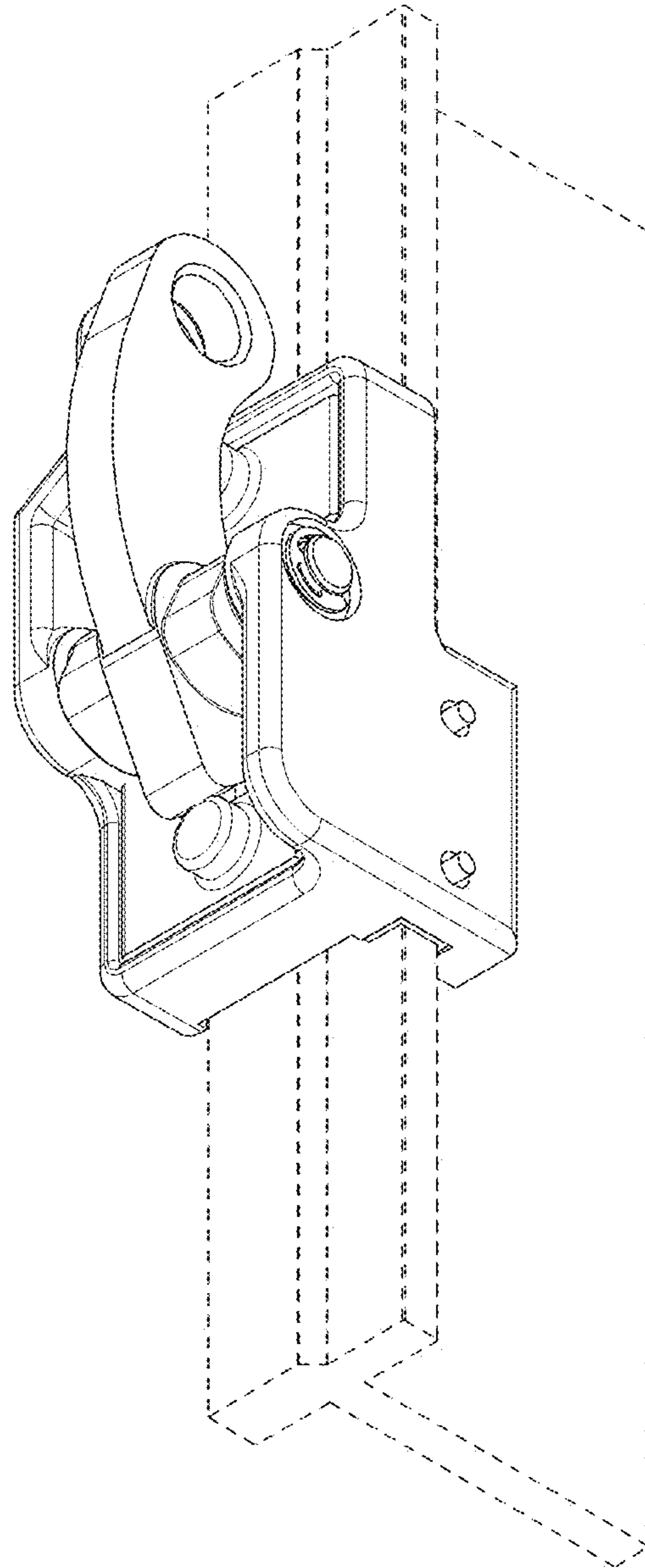


FIG. 9

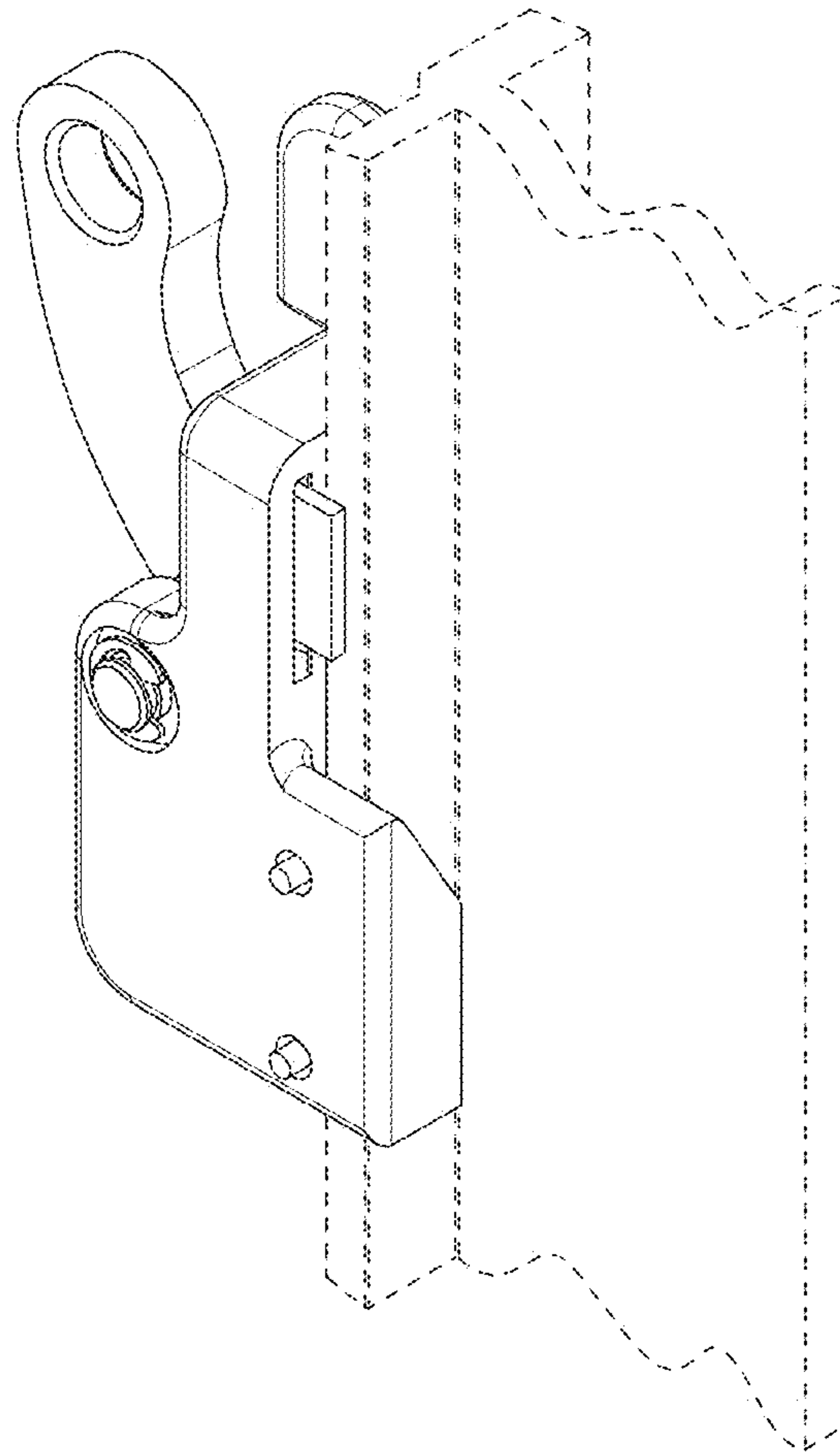


FIG. 10

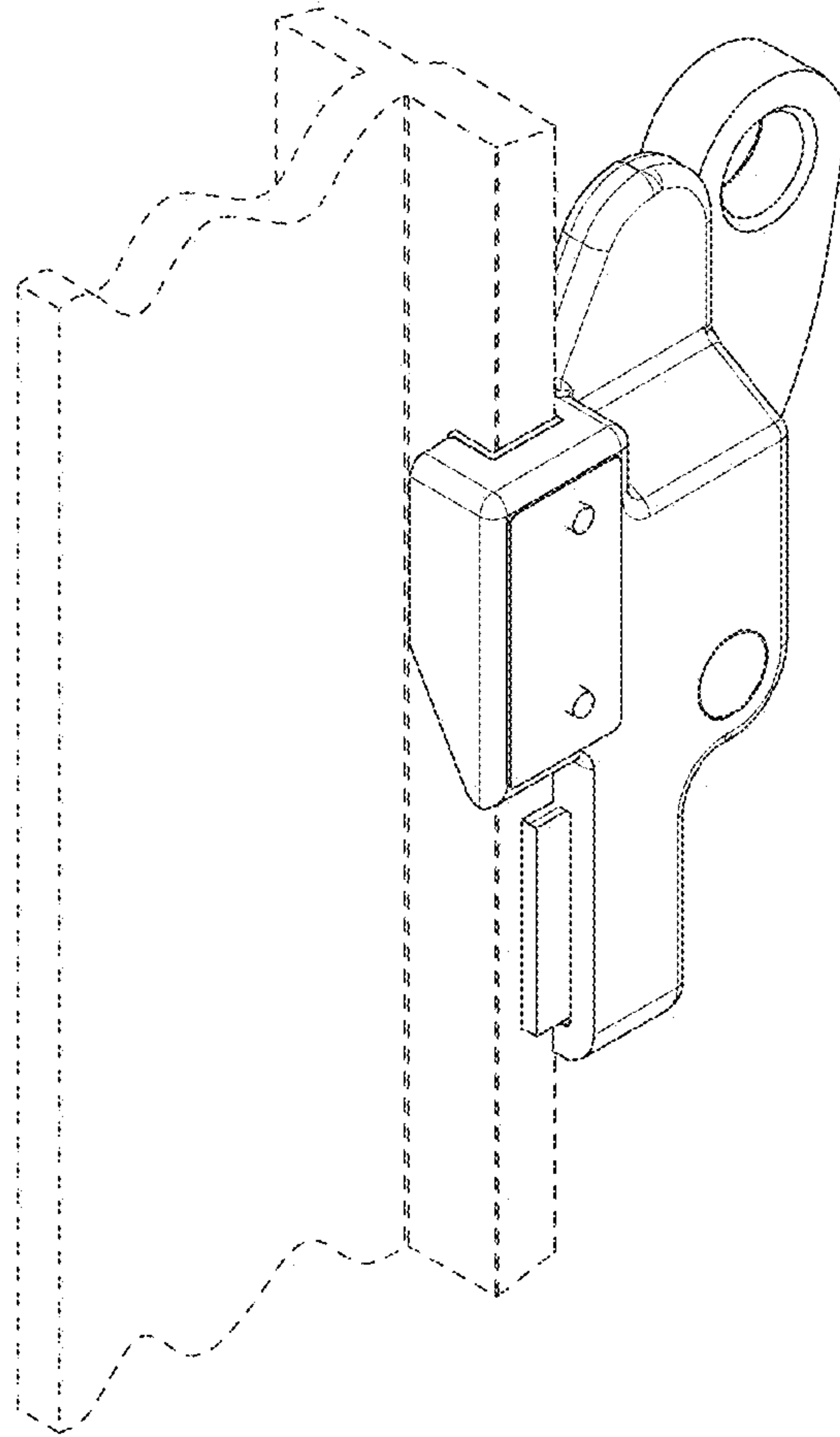


FIG. 11

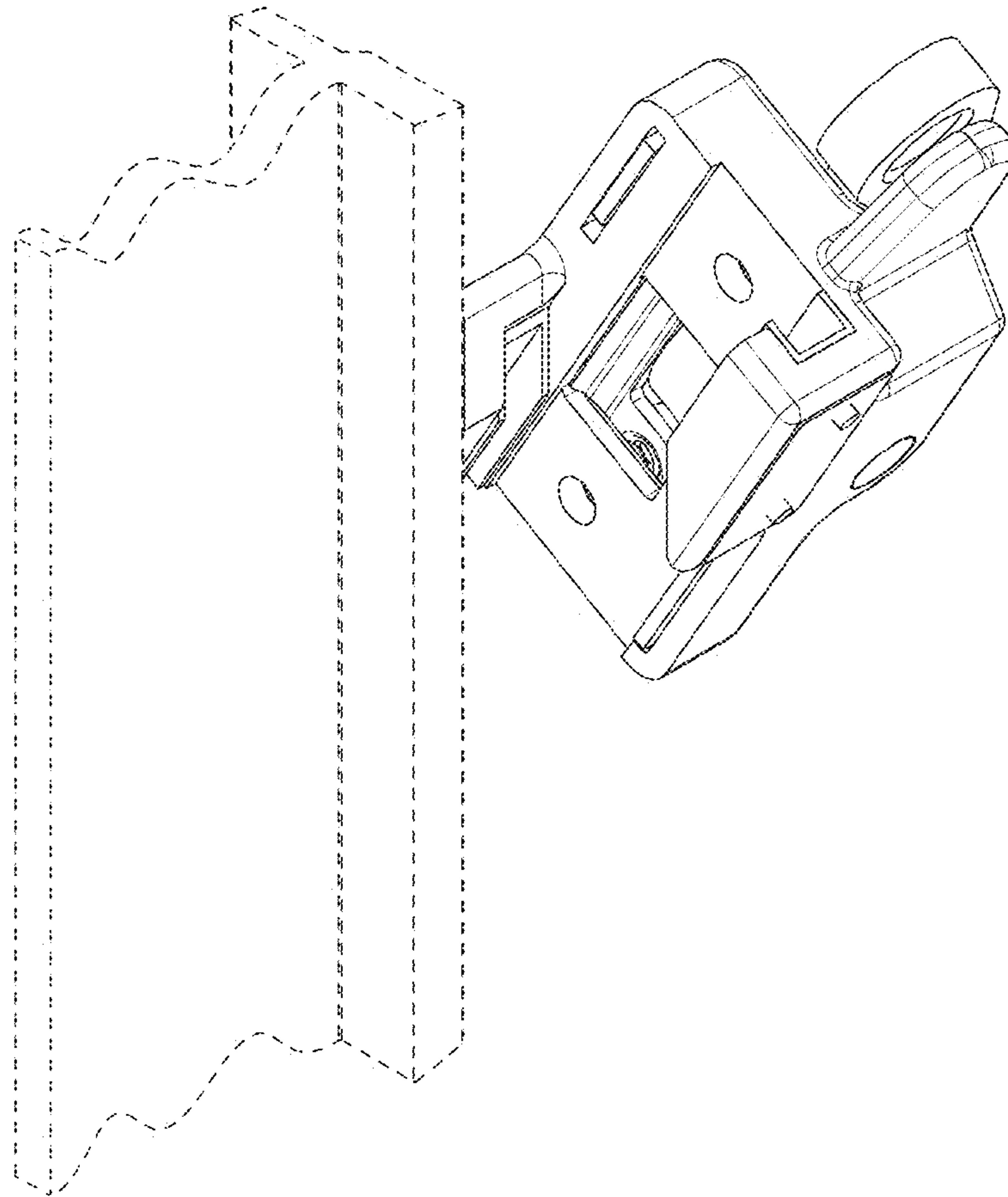


FIG. 12

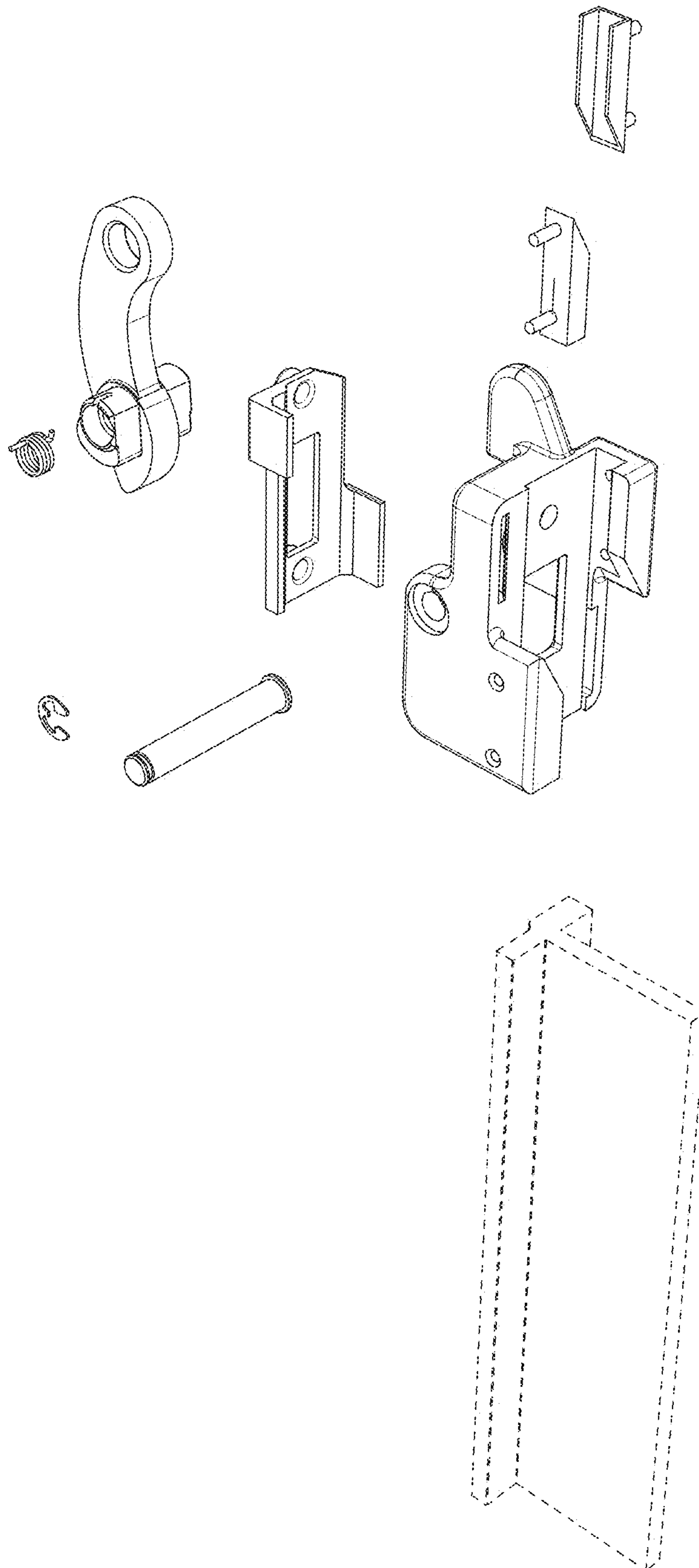


FIG. 13

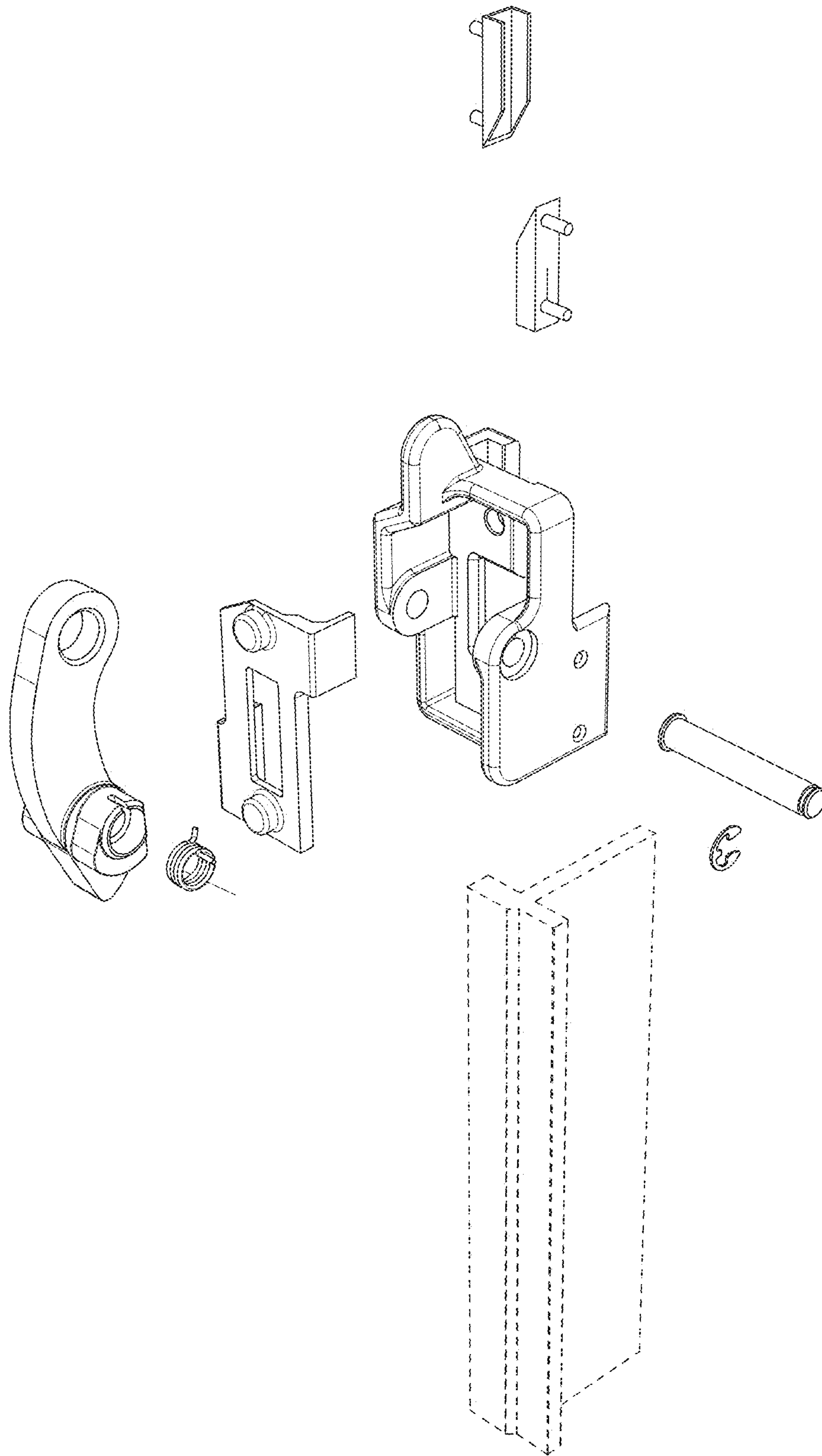


FIG. 14