



US00D947460S

(12) **United States Design Patent**  
**Landtiser**

(10) **Patent No.:** **US D947,460 S**  
(45) **Date of Patent:** **\*\* Mar. 29, 2022**

(54) **BULLETPROOF INSERT FOR A BACKPACK**

(71) Applicant: **Kerry L. Landtiser**, Elgin, IL (US)

(72) Inventor: **Kerry L. Landtiser**, Elgin, IL (US)

(73) Assignee: **World Richman Manufacturing Corporation**, Elgin, IL (US)

(\*\*) Term: **15 Years**

(21) Appl. No.: **29/710,361**

(22) Filed: **Oct. 22, 2019**

(51) **LOC (13) Cl.** ..... **29-02**

(52) **U.S. Cl.**  
USPC ..... **D29/101.3**

(58) **Field of Classification Search**  
USPC ..... D29/100–101.5  
CPC ..... A41D 13/00; A41D 13/0012; A41D 13/0518; A41D 13/0575; A41D 13/0593; A41D 13/04; A41D 13/05; F41H 1/02; F41H 1/00; F41H 5/00; F41H 5/02; F41H 5/04; F41H 5/08; A45F 3/06; A45F 4/02  
See application file for complete search history.

(56) **References Cited**

**U.S. PATENT DOCUMENTS**

1,582,517	A *	4/1926	Gurwitz	.....	A41D 13/0012	2/51
D171,590	S *	3/1954	Gilman	.....	D29/100	
D199,247	S *	9/1964	Cordier	.....	D21/780	
3,873,998	A *	4/1975	Norris	.....	B32B 7/12	2/2.5
6,789,274	B1 *	9/2004	Karpati	.....	A41D 13/0053	2/458
D717,545	S *	11/2014	Chuang	.....	D3/318	
9,801,452	B2 *	10/2017	Duthoit	.....	F41H 1/02	
9,874,425	B2 *	1/2018	O'Neal	.....	F41H 5/0457	
9,879,946	B2 *	1/2018	Holtz	.....	F41H 5/0428	
9,995,431	B2 *	6/2018	Swan	.....	F16M 13/04	
10,213,008	B2 *	2/2019	Weaver, Jr.	.....	A45F 3/06	
10,234,241	B2 *	3/2019	Strum	.....	A41D 13/0012	

10,551,150	B1 *	2/2020	Seuk	.....	F41H 5/08	
D880,072	S *	3/2020	Groat	.....	D29/101.3	
11,026,501	B1 *	6/2021	Dabrowka	.....	F41H 1/02	

(Continued)

**OTHER PUBLICATIONS**

SentryShield Level IIIA Bulletproof Backpack Insert (on-line), dated Aug. 12, 2020. Retrieved from Internet Jun. 21, 2021, URL: <http://web.archive.org/web/20200812171759/https://sentryshieldusa.com/product/sentry-shield-bulletproof-backpack-insert/> (2 pages) (Year: 2020).\*

*Primary Examiner* — Kimberly Barnes

(74) *Attorney, Agent, or Firm* — Christopher J. Scott

(57) **CLAIM**

The ornamental design for a bulletproof insert for a backpack, as shown and described.

**DESCRIPTION**

FIG. 1 is a front elevation view of a bulletproof insert for a backpack showing my new design.

FIG. 2 is back elevation view of the bulletproof insert for a backpack.

FIG. 3 is a first lateral edge view of the bulletproof insert for a backpack.

FIG. 4 is a second lateral edge view of the bulletproof insert for a backpack.

FIG. 5 is a top edge view of the bulletproof insert for a backpack.

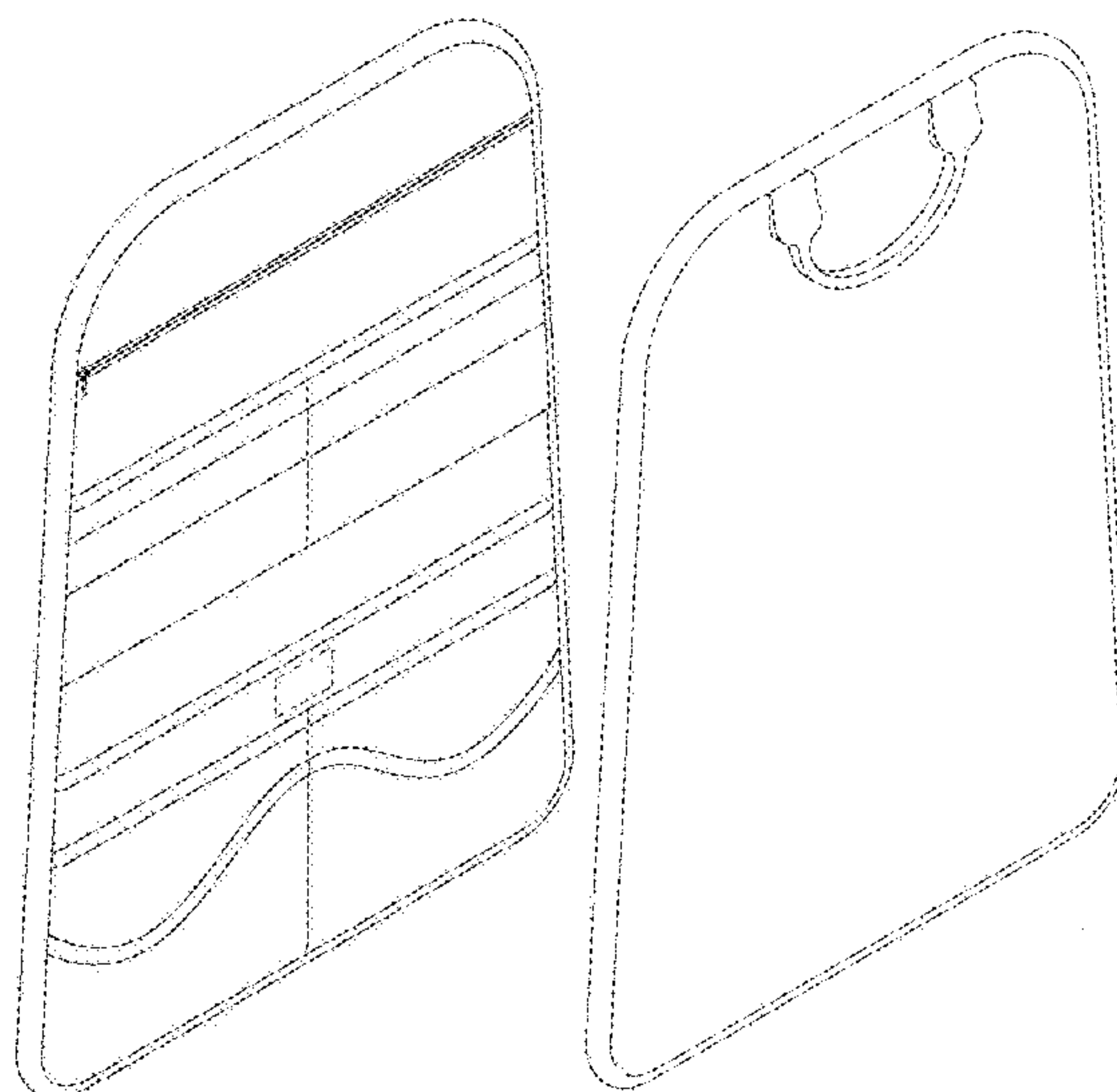
FIG. 6 is a bottom edge view of the bulletproof insert for a backpack.

FIG. 7 is a top front perspective view of the bulletproof insert for a backpack; and,

FIG. 8 is a top back perspective view of the bulletproof insert for a backpack.

The evenly broken lines in the drawings depict portions of the bulletproof insert for a backpack that form no part of the claimed design.

**1 Claim, 6 Drawing Sheets**



(56)

**References Cited**

U.S. PATENT DOCUMENTS

2006/0243126 A1\* 11/2006 Tyler ..... F41H 7/00  
89/36.01  
2010/0107861 A1\* 5/2010 Carter ..... F41H 1/00  
89/36.02  
2013/0292430 A1\* 11/2013 Seuk ..... A45F 3/04  
224/148.4  
2017/0099933 A1\* 4/2017 Drake ..... A41D 1/04  
2020/0124384 A1\* 4/2020 Landtiser ..... A45F 3/06  
2020/0333111 A1\* 10/2020 Ward ..... F41H 5/013  
2020/0363163 A1\* 11/2020 Lyons ..... B32B 5/08  
2021/0071995 A1\* 3/2021 Ganor ..... F41H 1/02

\* cited by examiner

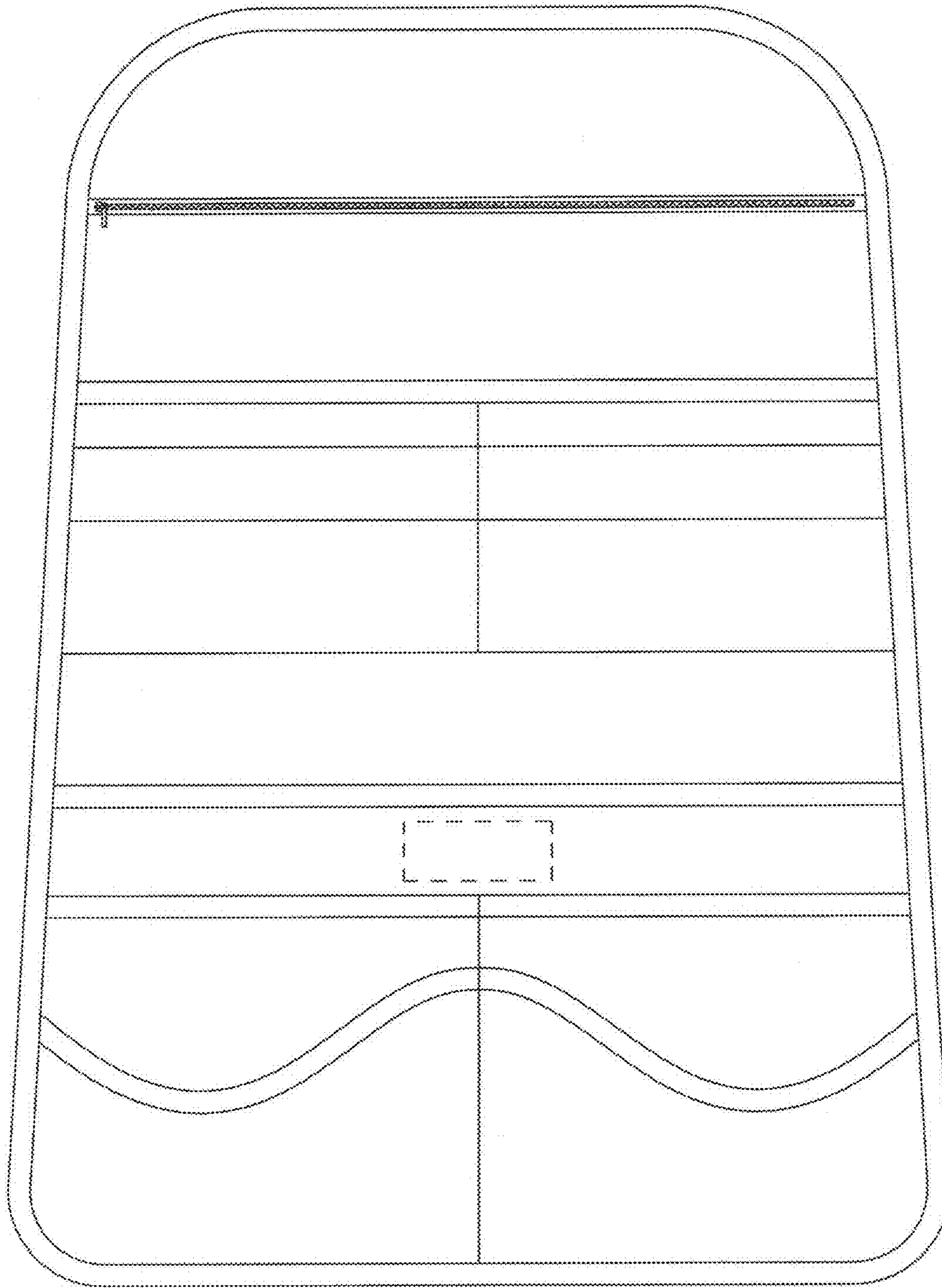


FIG.1

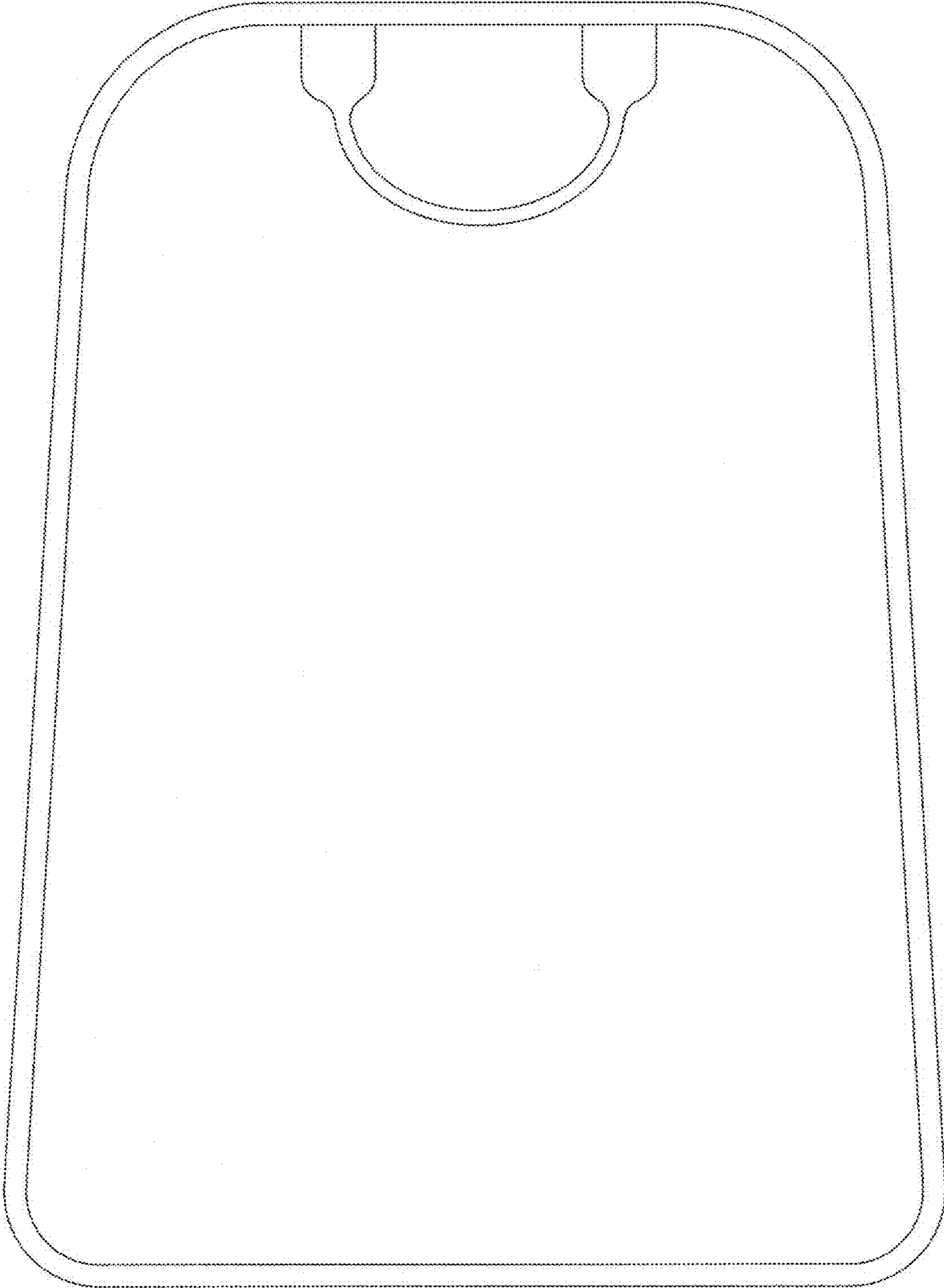


FIG. 2



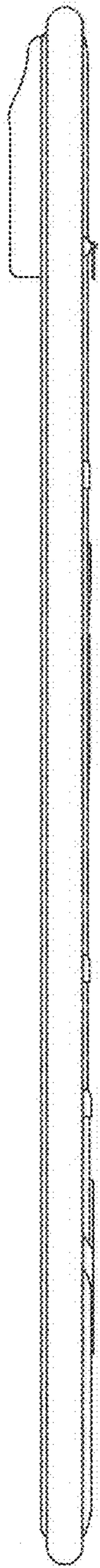


FIG. 3

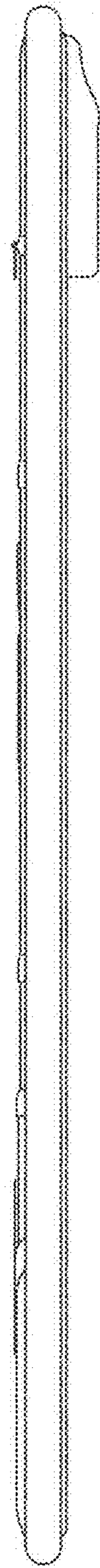


FIG. 4

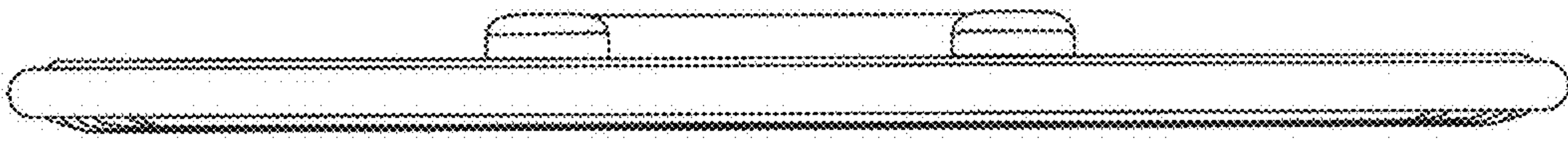


FIG. 5

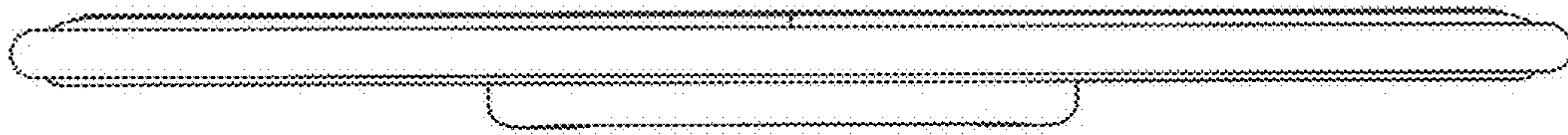


FIG. 6

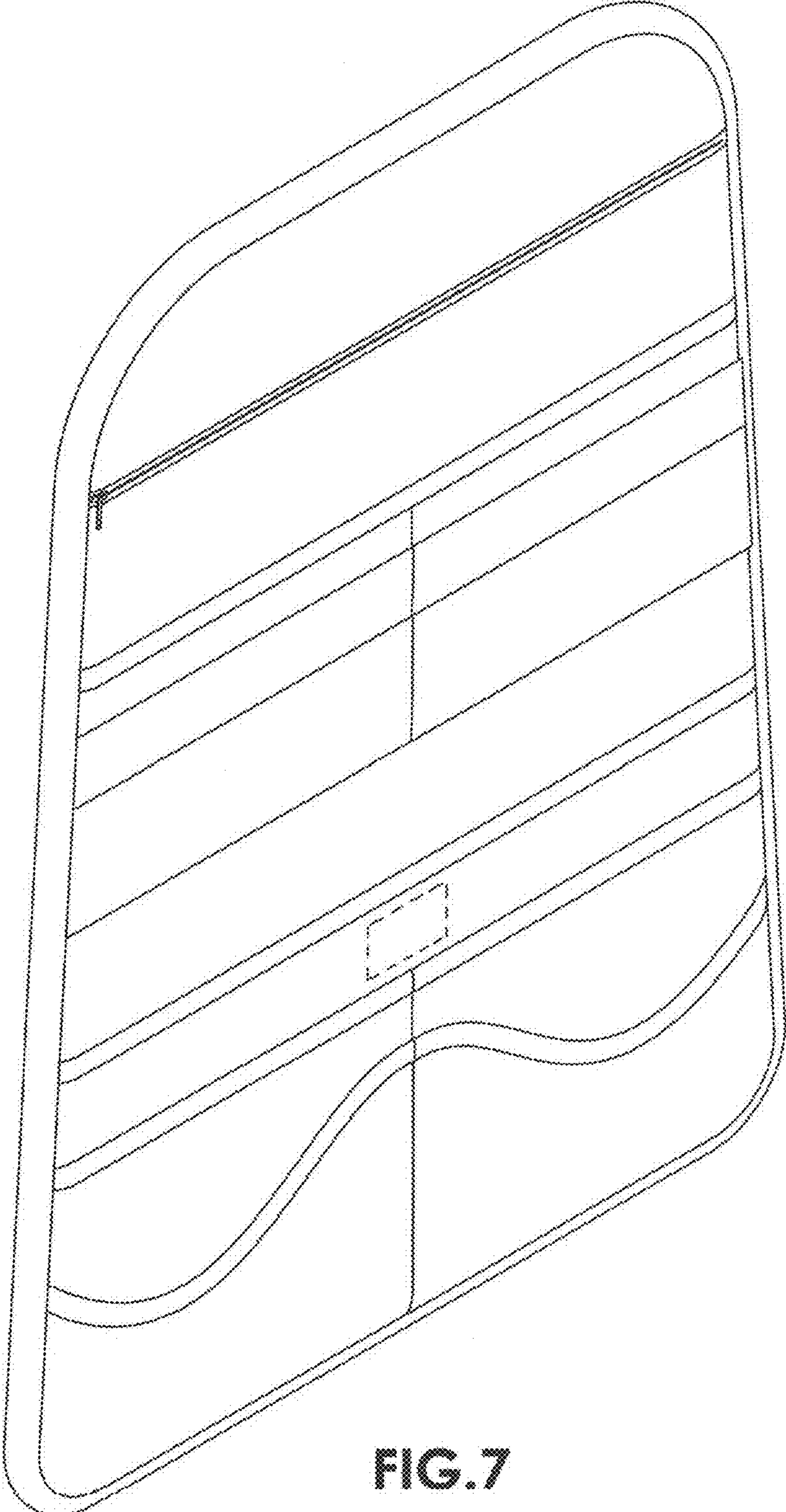


FIG. 7

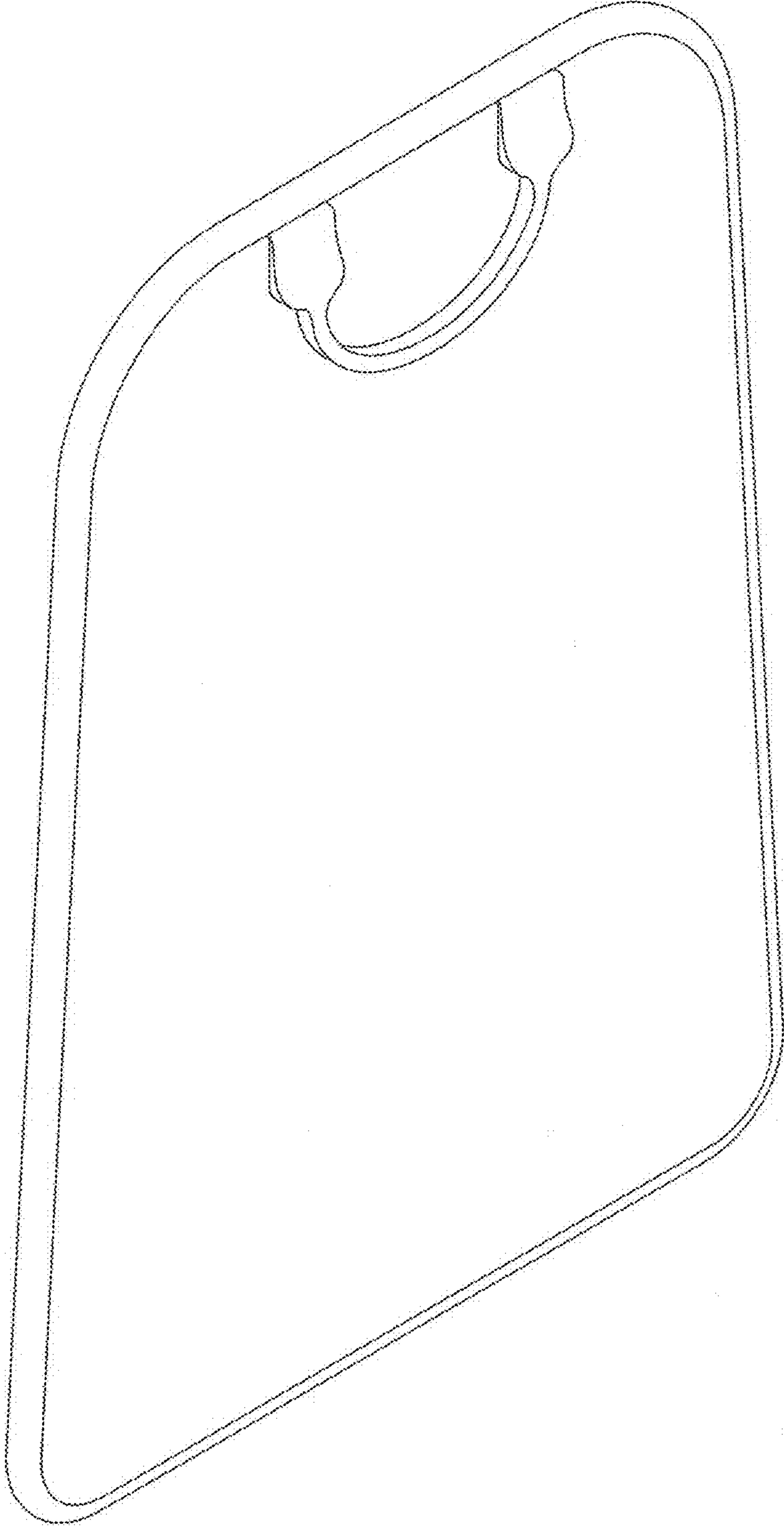


FIG. 8