



US00D947456S

(12) **United States Design Patent**  
**Hirschhorn et al.**

(10) **Patent No.:** **US D947,456 S**

(45) **Date of Patent:** **\*\* Mar. 29, 2022**

(54) **COMBINED MULTI-HEAD GROOMING AND CLEANING TOOL**

(71) Applicant: **FRIDABABY, LLC**, Miami, FL (US)

(72) Inventors: **Chelsea Hirschhorn**, Miami, FL (US);  
**Gregary Adam Hack**, Aventura, FL (US);  
**Maria V. Level**, Miami, FL (US);  
**Samuel Saucedo**, El Serino, CA (US);  
**Matthew Saxton**, Agoura Hills, CA (US)

(73) Assignee: **FRIDABABY, LLC**, Miami, FL (US)

(\*\*) Term: **15 Years**

(21) Appl. No.: **29/737,361**

(22) Filed: **Jun. 8, 2020**

(51) **LOC (13) Cl.** ..... **28-03**

(52) **U.S. Cl.**  
USPC ..... **D28/57**

(58) **Field of Classification Search**  
USPC .... D28/9, 10, 20, 21–25, 44, 45, 49, 52, 53,  
D28/56–59, 60, 99; D3/205  
CPC ..... A01K 13/00; B26B 19/26; B26B 19/265;  
B26B 19/48; B26B 19/10; B26B 19/107;  
B26B 19/02; B26B 19/00  
See application file for complete search history.

(56) **References Cited**

U.S. PATENT DOCUMENTS

D328,652	S *	8/1992	Lunderman	.....	D28/57
D330,608	S *	10/1992	Lunderman	.....	D28/57
5,251,352	A	10/1993	Cullison		
5,283,920	A	2/1994	Plummer		
5,287,863	A *	2/1994	La Joie	.....	A45D 29/11 132/200
5,509,921	A	4/1996	Karell		
5,632,756	A	5/1997	Kruglick		
5,649,942	A	7/1997	Yeh		

5,715,850	A	2/1998	Markgraaf		
5,888,199	A	3/1999	Karell et al.		
5,897,568	A	4/1999	Vanraes		
D414,036	S *	9/1999	Conway	.....	D3/264
D417,750	S *	12/1999	Izquierdo	.....	D28/57
D418,632	S *	1/2000	Fauerbach	.....	D28/59
D420,171	S *	2/2000	Fauerbach	.....	D28/59
6,128,805	A	10/2000	Rivera		
6,187,021	B1	2/2001	Wim		
6,270,510	B1	8/2001	Westendorf		
6,346,113	B1	2/2002	Turri		
6,432,117	B1	8/2002	Murray		
6,736,826	B2	5/2004	Begun		
6,776,786	B2	8/2004	Kim		
6,939,360	B2	9/2005	Crespo		

(Continued)

FOREIGN PATENT DOCUMENTS

EP 1138292 A1 10/2001  
*Primary Examiner* — Marissa J Cash  
*Assistant Examiner* — Rebecca Tsehaye  
(74) *Attorney, Agent, or Firm* — Perkins IP Law Group LLC; Jefferson Perkins

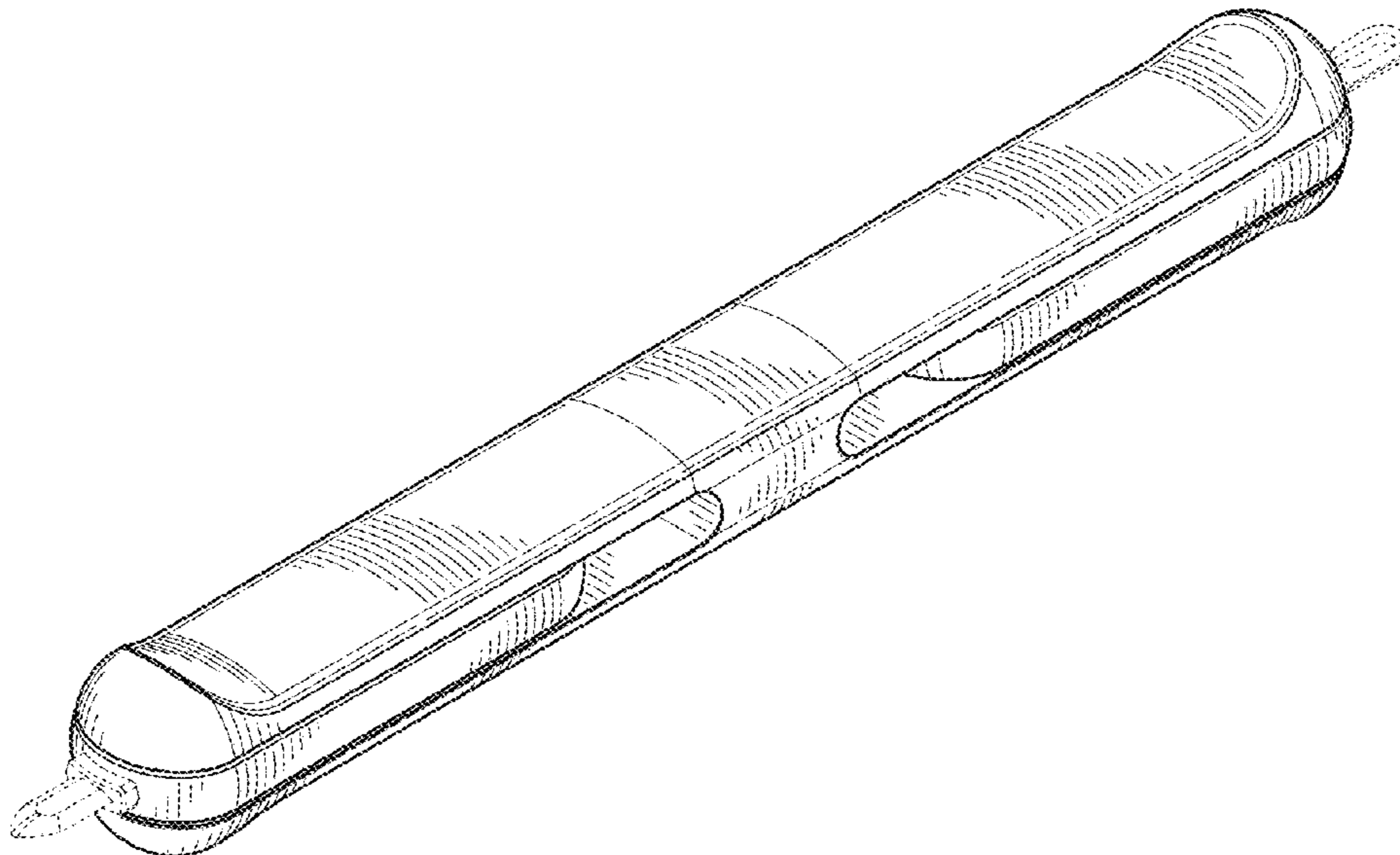
(57) **CLAIM**

We claim the ornamental design for a combined multi-head grooming and cleaning tool, as shown and described.

**DESCRIPTION**

FIG. 1 is a perspective view of our design; FIG. 2 is a top view thereof, a bottom view thereof being identical to the top view; FIG. 3 is a right side view thereof; FIG. 4 is a left side view thereof; FIG. 5 is a first end view thereof; and, FIG. 6 is a second end view thereof. The broken lines in the drawings depict portions of the combined multi-head grooming and cleaning tool that form no part of the claimed design.

**1 Claim, 2 Drawing Sheets**



(56)

## References Cited

## U.S. PATENT DOCUMENTS

7,070,603	B2	7/2006	Eicoff	
7,074,230	B2	7/2006	Olson	
D553,295	S *	10/2007	Khubani .....	D28/53
D577,461	S *	9/2008	Wittke-Kothe .....	D24/149
D583,548	S *	12/2008	Oas .....	D3/203.2
7,658,745	B2	2/2010	Olson	
D631,957	S	2/2011	Perez et al.	
7,951,106	B1	5/2011	Perez et al.	
D655,864	S *	3/2012	Zeitouny .....	D28/59
D656,609	S	3/2012	Perez et al.	
8,241,236	B2	8/2012	Yardley	
8,402,583	B1	3/2013	Bebber	
8,555,031	B2	10/2013	Edme et al.	
8,728,107	B2	5/2014	Huttner et al.	
8,777,972	B2	7/2014	Burres	
9,060,896	B2	6/2015	Lai	
D742,069	S *	10/2015	Izquierdo Lopez .....	D28/57
9,233,027	B1	1/2016	Jackson	
9,278,030	B2	3/2016	Olson	
9,480,605	B2	11/2016	Farzin	
9,498,383	B2	11/2016	Edme et al.	
9,532,793	B2	1/2017	Wilson	
9,549,854	B1	1/2017	Crespo	
D787,835	S *	5/2017	Lim .....	D4/135
9,826,920	B2	11/2017	Pahuja et al.	
9,918,878	B2	3/2018	Burres	
10,105,264	B2	10/2018	Trombley	
10,154,927	B2	12/2018	Fahn et al.	
D843,056	S *	3/2019	Rodriguez .....	D28/23
10,226,554	B2	3/2019	Baker et al.	
10,291,951	B2	3/2019	Olson	
2006/0085018	A1	4/2006	Clevenger	
2011/0066172	A1	3/2011	Silverstein	

\* cited by examiner

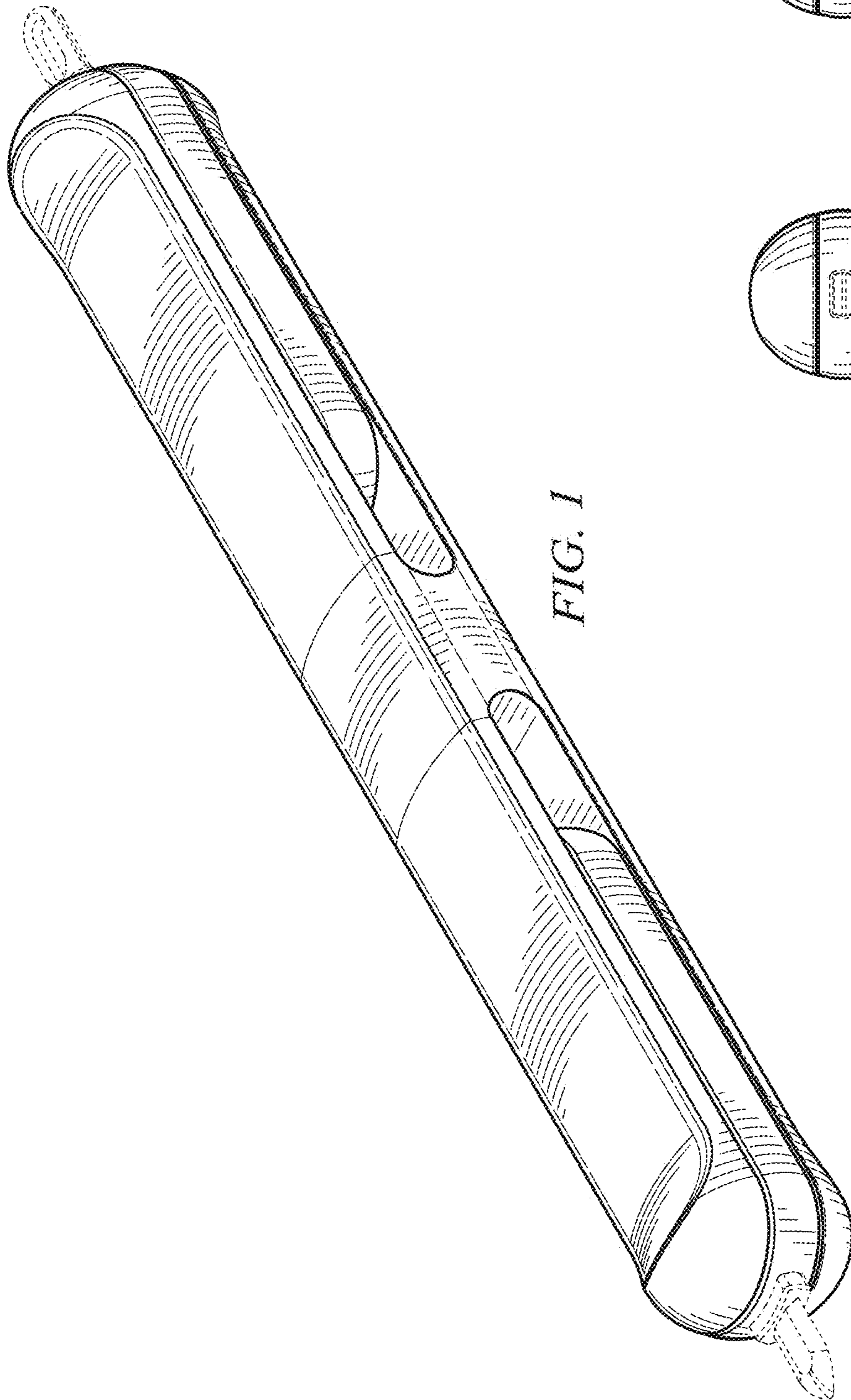


FIG. 1

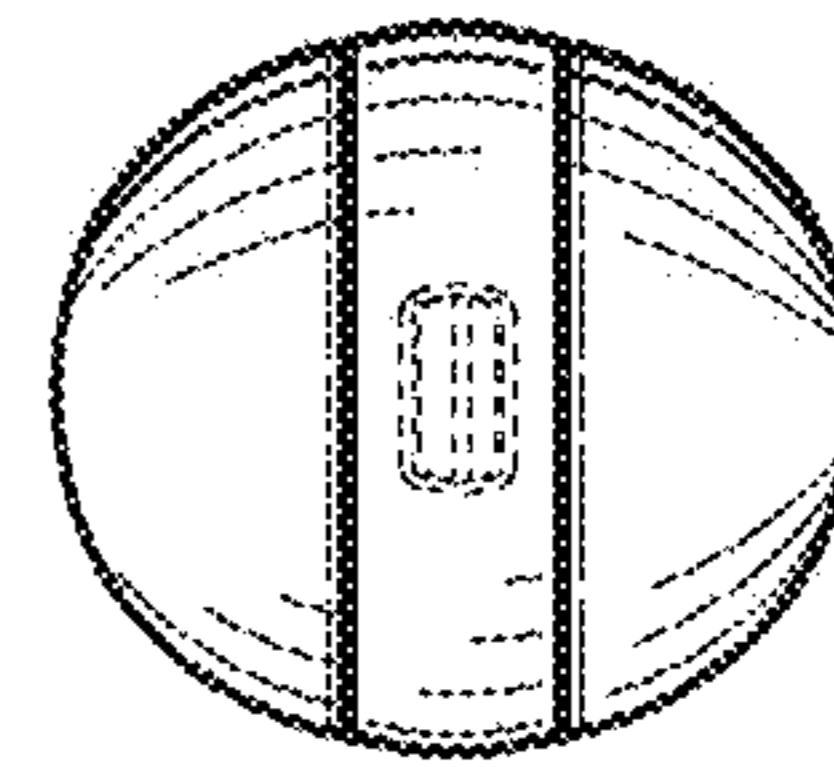


FIG. 5

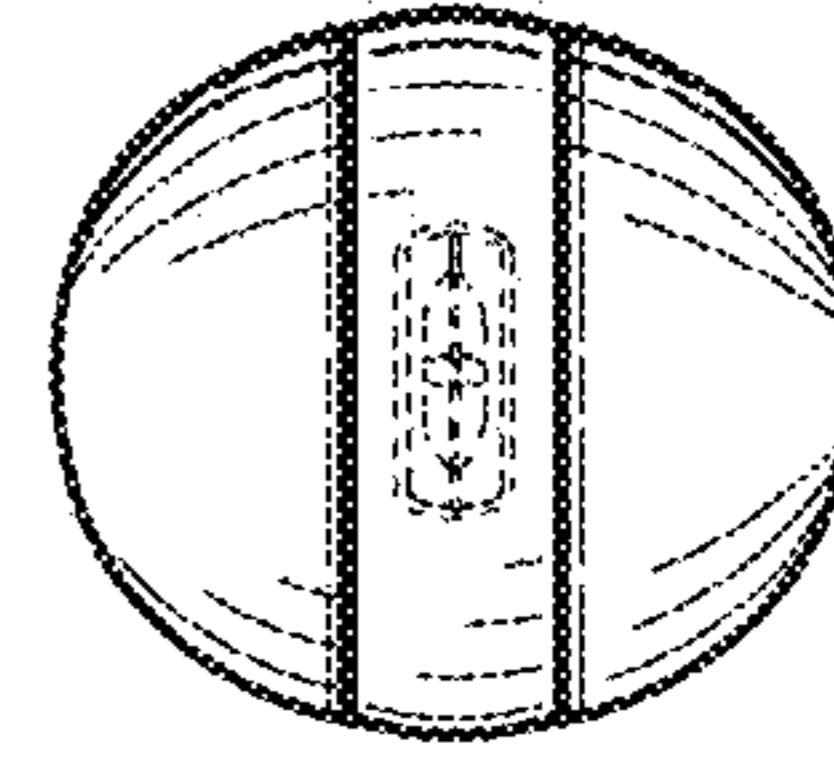
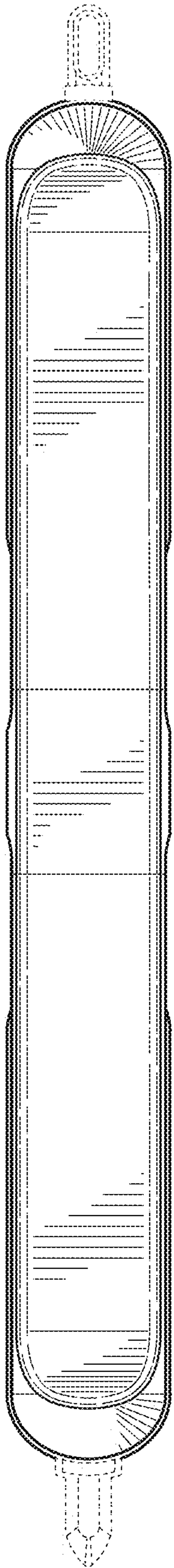
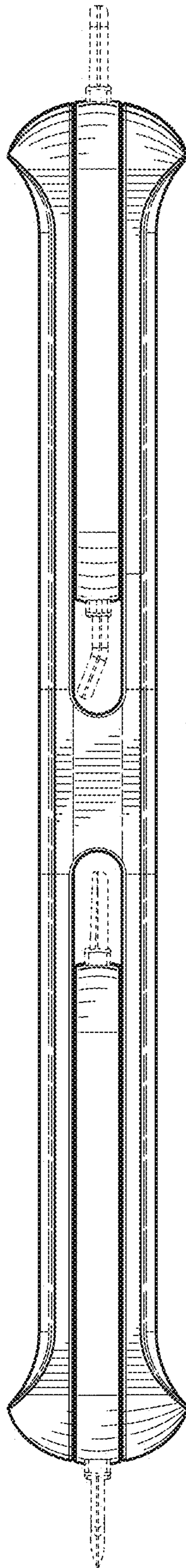


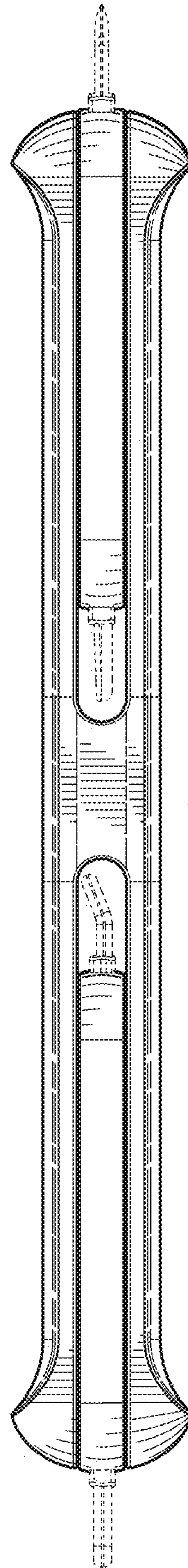
FIG. 6



*FIG. 2*



*FIG. 3*



*FIG. 4*