



US00D947455S

(12) **United States Design Patent** (10) **Patent No.:** **US D947,455 S**
Jiang (45) **Date of Patent:** **** Mar. 29, 2022**

(54) **COMB PART**
(71) Applicant: **NINGBO ICLIPPER ELECTRIC APPLIANCE CO., LTD.**, Ningbo (CN)
(72) Inventor: **Qi Jiang**, Ningbo (CN)
(73) Assignee: **NINGBO ICLIPPER ELECTRIC APPLIANCE CO., LTD.**, Ningbo (CN)

D748,862 S 2/2016 Aulwes et al.
D753,879 S 4/2016 Andersson
D791,410 S 7/2017 Whittaker et al.
D813,459 S 3/2018 Sinnott et al.
D825,853 S 8/2018 Skye
10,293,500 B1 * 5/2019 Baker B26B 19/22
10,377,049 B2 8/2019 Whittaker et al.
2009/0019706 A1 * 1/2009 Werner B26B 19/3813
30/233.5

(Continued)

FOREIGN PATENT DOCUMENTS

EP 2808134 A1 * 12/2014 A45D 26/00

OTHER PUBLICATIONS

Wahl Professional #2 Guide Comb Attachment, Wahl Professional, reviewed on Jun. 22, 2017 on amazon.com, retrieved on Feb. 1, 2021, retrieved from the Internet URL: https://www.amazon.com/Wahl-Professional-Guide-Comb-Attachment/dp/B001MP5VQU/ref=sr_1_5_mod_primary_new?crd=TUWGKIKULS5V&keywords=%232+clipper+guide+comb&q.*

Primary Examiner — Jennifer Rivard
Assistant Examiner — Alison M Ofstun

(57) **CLAIM**

The ornamental design for a comb part, as shown and described.

DESCRIPTION

FIG. 1 is a front view of a comb part showing my new design;
FIG. 2 is a back view thereof;
FIG. 3 is a right-side view thereof;
FIG. 4 is a left-side view thereof;
FIG. 5 is a top plan view thereof;
FIG. 6 is a bottom plan view thereof; and,
FIG. 7 is a rear top left perspective view thereof.
The broken lines depict portions of the article that form no part of the claimed design.

1 Claim, 7 Drawing Sheets

(**) Term: **15 Years**

(21) Appl. No.: **29/781,416**

(22) Filed: **Apr. 29, 2021**

(51) **LOC (13) Cl.** **28-03**

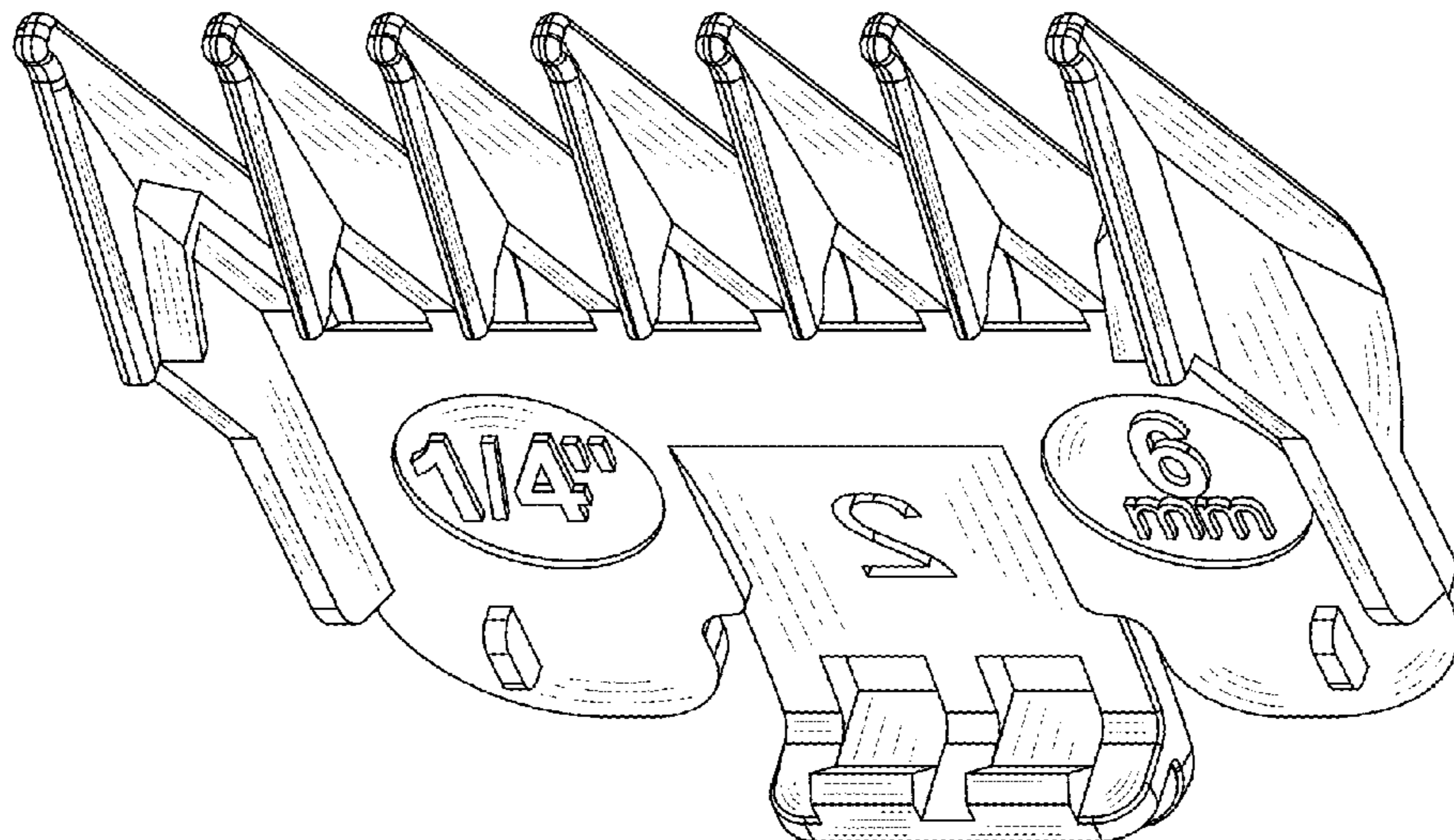
(52) **U.S. Cl.**
USPC **D28/54**

(58) **Field of Classification Search**
USPC D28/49-54; D30/159; D4/116-118, 136, D4/199
CPC B26B 19/00; B26B 19/04; B26B 19/06; B26B 19/10; B26B 19/18; B26B 19/20; B26B 19/38
See application file for complete search history.

(56) **References Cited**

U.S. PATENT DOCUMENTS

2,481,097 A 9/1949 Fewins
D175,141 S 7/1955 Andis
3,008,233 A 11/1961 Waggoner
3,279,061 A * 10/1966 Dis B26B 19/3846
30/200
3,330,184 A * 7/1967 Dis B26B 19/20
409/132
4,532,707 A * 8/1985 Allen B26B 19/20
30/200
D286,454 S * 10/1986 Stephens D28/54
D502,290 S 2/2005 Eddinger et al.
D559,456 S 1/2008 Melton et al.
D565,793 S 4/2008 Wallace
D619,304 S 7/2010 Shen



(56)

References Cited

U.S. PATENT DOCUMENTS

2009/0113722 A1 5/2009 Werner et al.
2011/0061243 A1 3/2011 Smit
2014/0215832 A1* 8/2014 Julemont A45D 24/36
30/200
2014/0331504 A1* 11/2014 Michel A45D 19/02
29/428
2017/0217031 A1* 8/2017 Bellisario B26B 19/20
2020/0230832 A1* 7/2020 Danmola B26B 19/20
2021/0008740 A1* 1/2021 Iaccarino B26B 19/3813
2021/0086377 A1* 3/2021 Johnson B26B 19/20

* cited by examiner

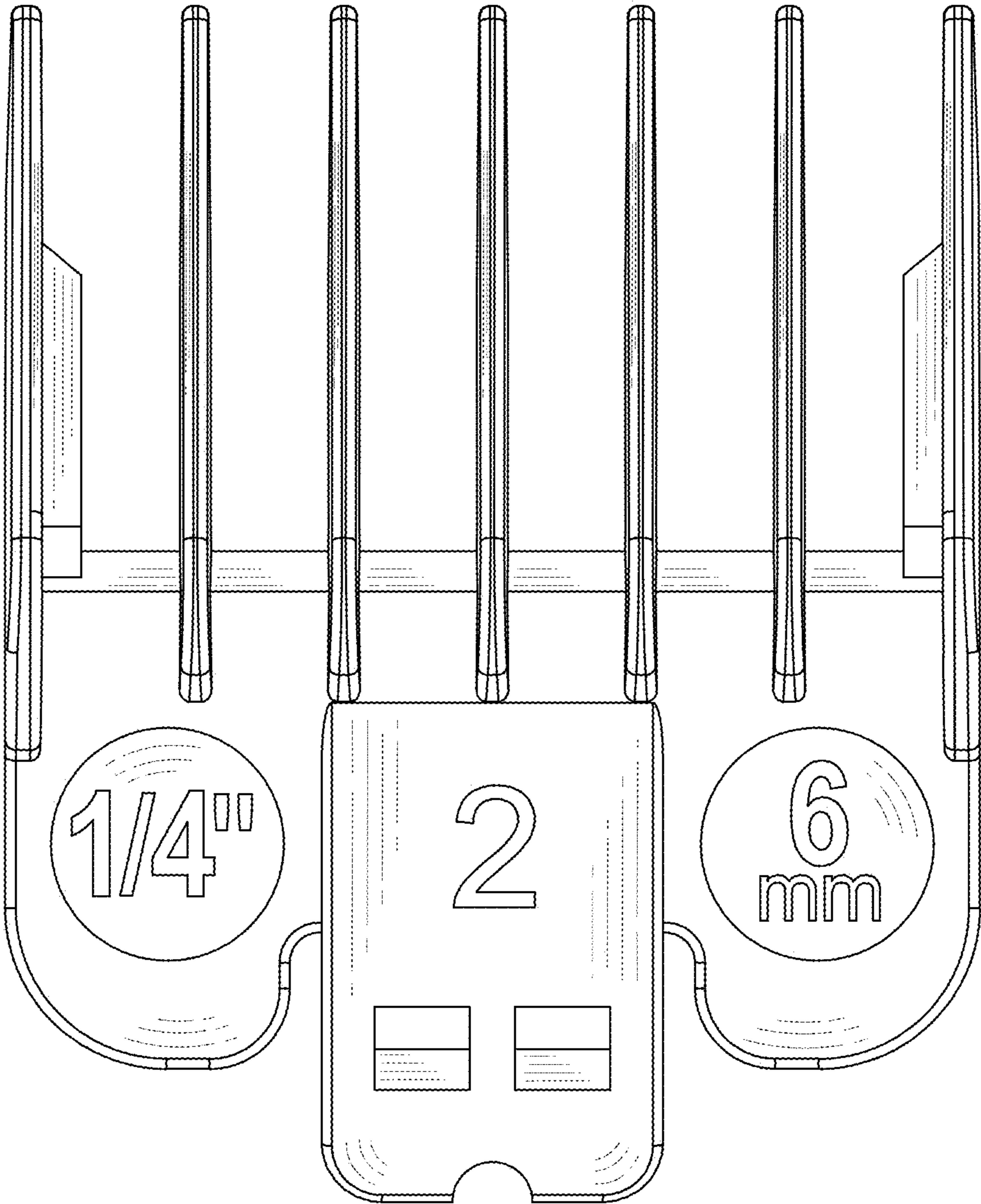


FIG. 1

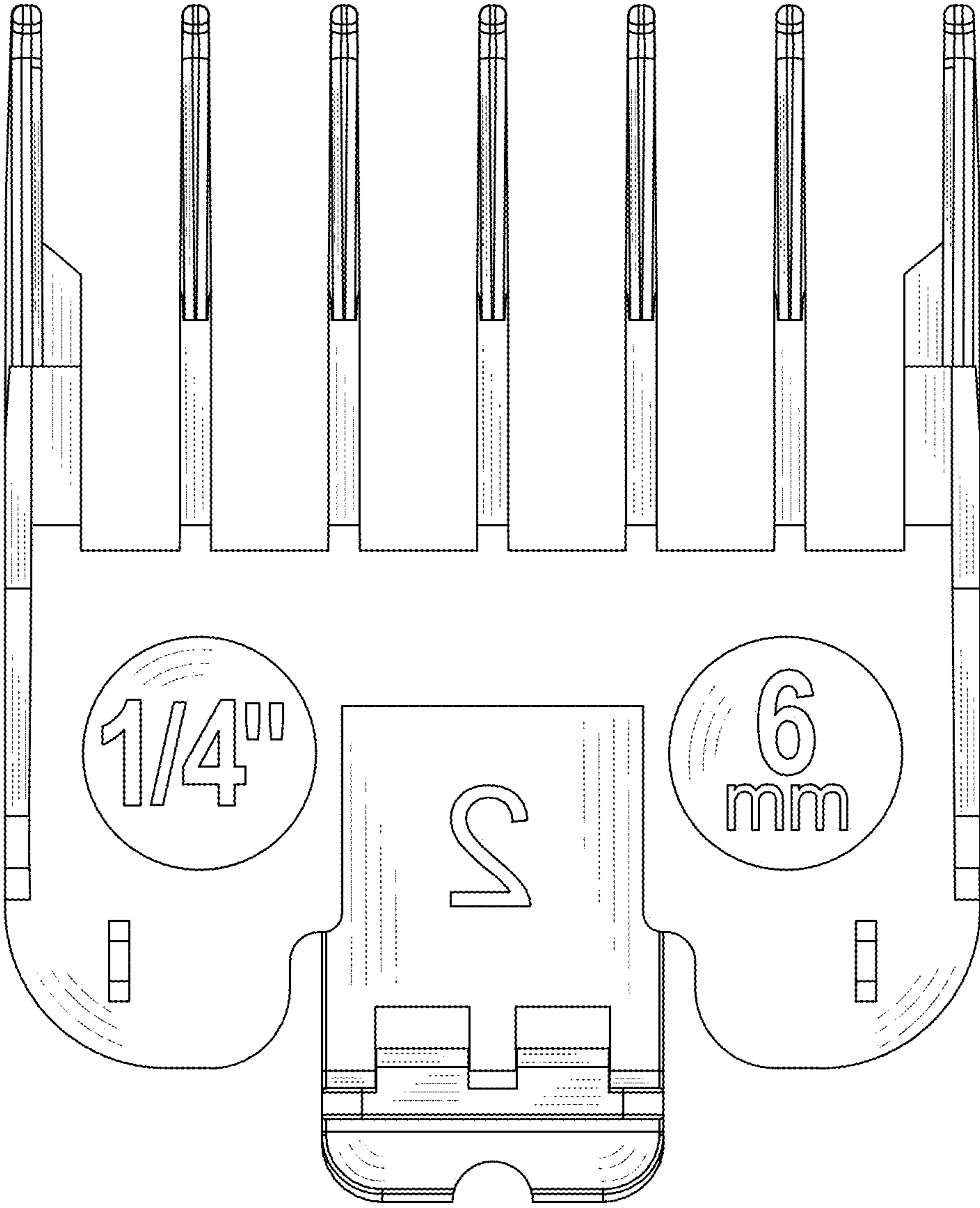


FIG. 2

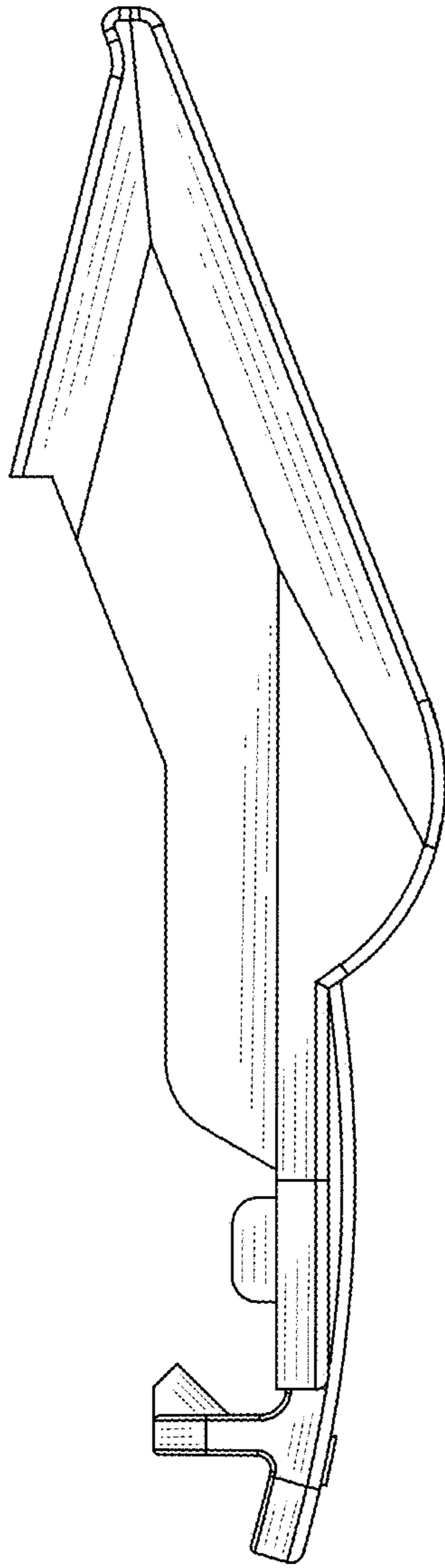


FIG. 3

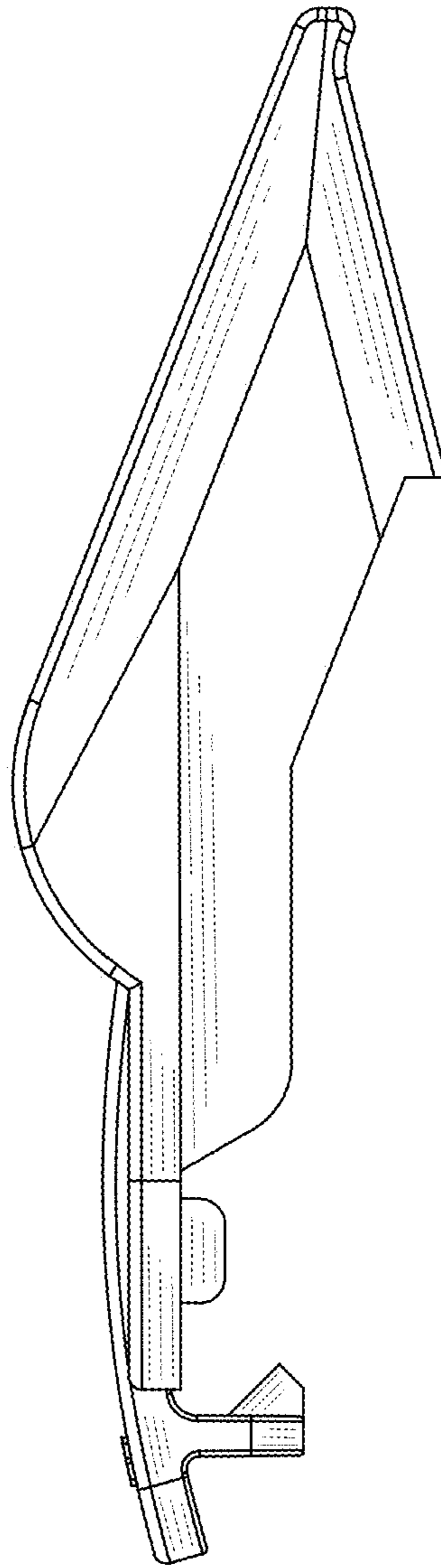


FIG. 4

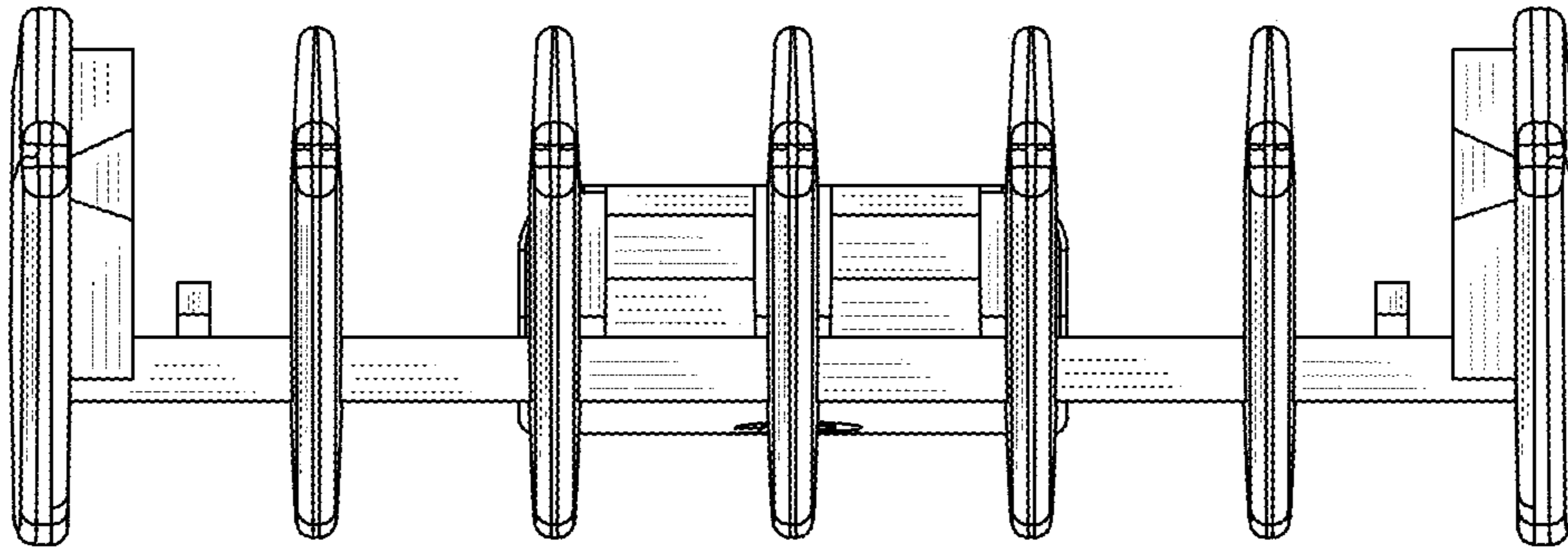


FIG. 5

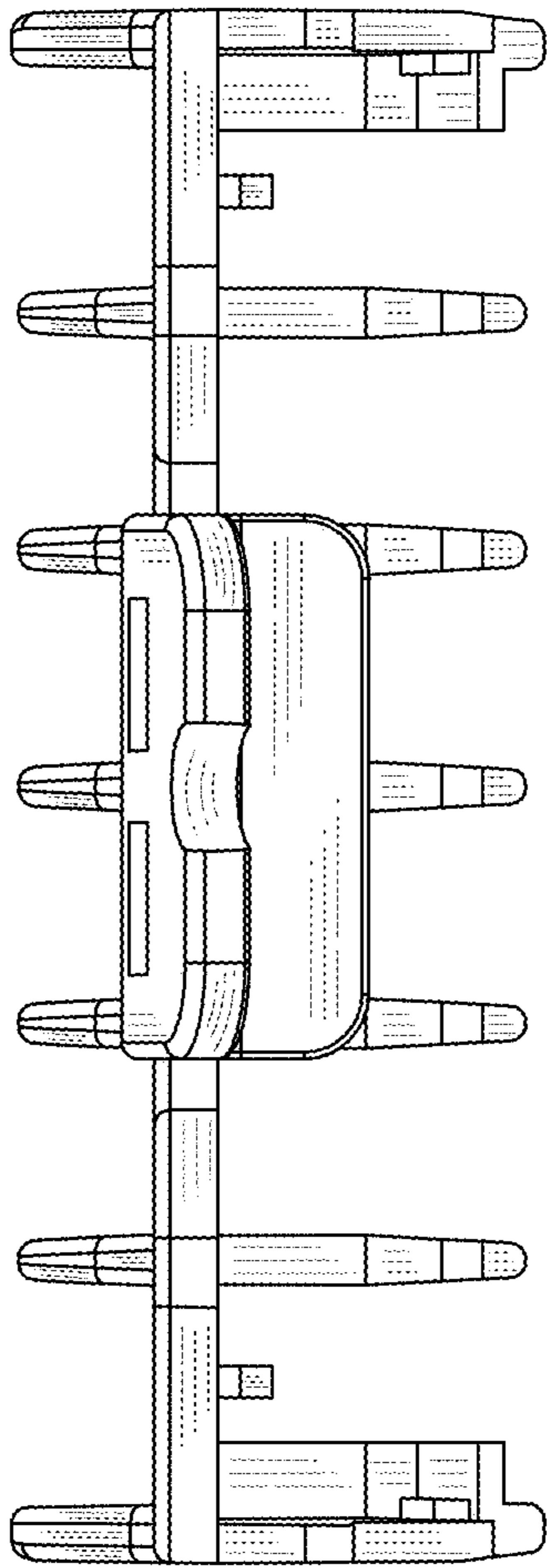


FIG. 6

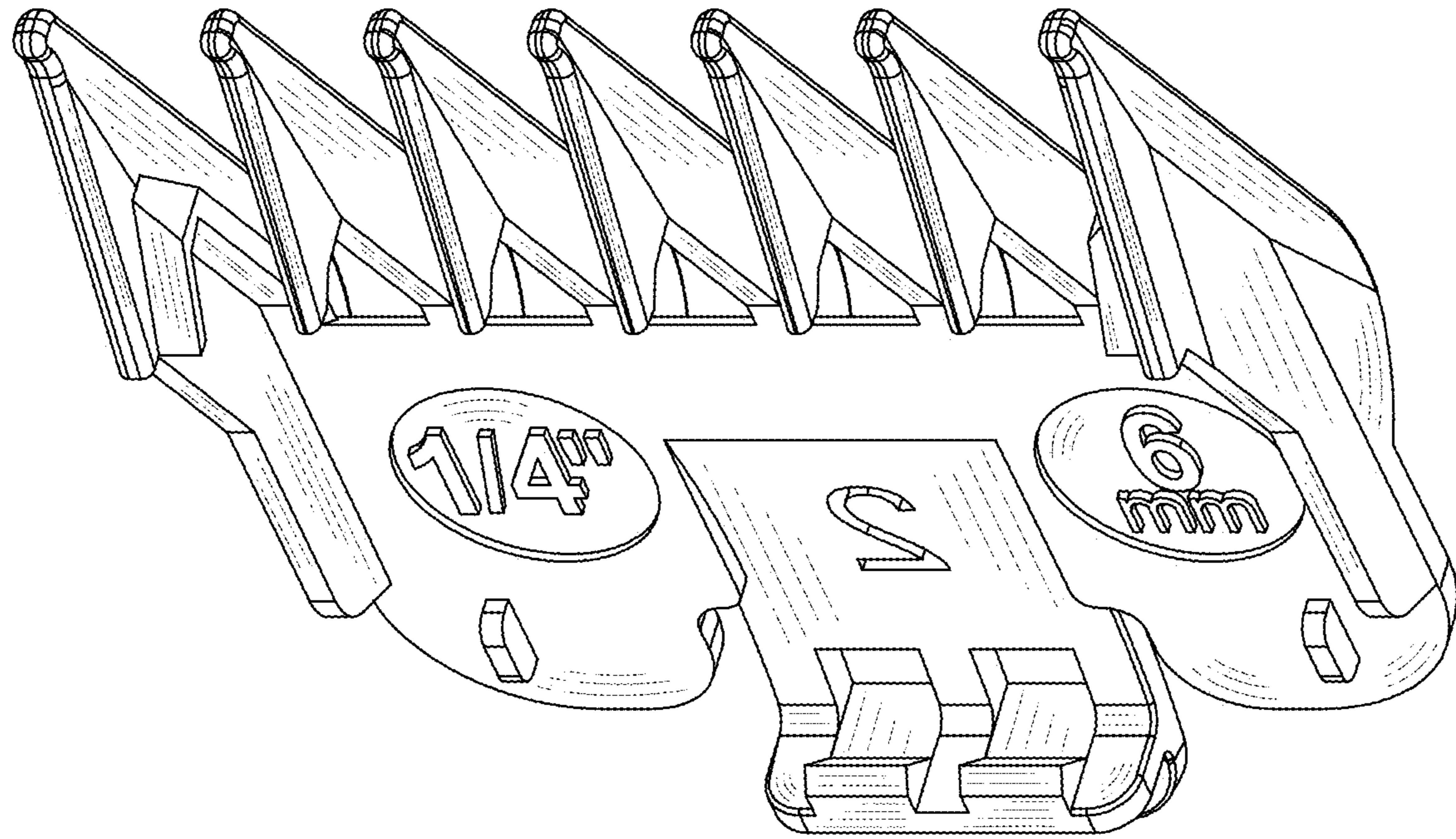


FIG. 7