



US00D947454S

(12) **United States Design Patent**
Cai

(10) **Patent No.:** **US D947,454 S**
(45) **Date of Patent:** **** Mar. 29, 2022**

(54) **HAIR CLIPPER**

(71) Applicant: **Ningbo VGR Electric Appliance Co., Ltd., Ningbo (CN)**

(72) Inventor: **Zhenghao Cai, Ningbo (CN)**

(73) Assignee: **Ningbo VGR Electric Appliance Co., Ltd., Ningbo (CN)**

(**) Term: **15 Years**

(21) Appl. No.: **29/740,219**

(22) Filed: **Jul. 1, 2020**

(51) **LOC (13) Cl.** **28-03**

(52) **U.S. Cl.**
USPC **D28/53**

(58) **Field of Classification Search**
USPC D28/49-54; D30/159
CPC B26B 19/00; B26B 19/04; B26B 19/06;
B26B 19/10; B26B 19/18; B26B 19/38
See application file for complete search history.

(56) **References Cited**

U.S. PATENT DOCUMENTS

9,038,276	B2 *	5/2015	Arndt	B26B 19/06 30/208
D821,652	S *	6/2018	Skuhra	D28/53
D844,245	S *	3/2019	Wu	D28/53
D846,192	S *	4/2019	Wu	D28/53
D911,613	S *	2/2021	Jiang	D28/53
D911,614	S *	2/2021	Jiang	D28/53
D912,327	S *	3/2021	Jiang	D28/53
D912,328	S *	3/2021	Jiang	D28/53

D930,903	S *	9/2021	Zhuang	D28/53
D939,774	S *	12/2021	Jiang	D28/53
2013/0200823	A1 *	8/2013	Chan	B26B 19/284 310/36
2014/0115901	A1 *	5/2014	Liao	B26B 19/06 30/208
2017/0305021	A1 *	10/2017	Skuhra	B26B 19/3853

* cited by examiner

Primary Examiner — Jennifer Rivard

Assistant Examiner — Alison M Ofstun

(74) *Attorney, Agent, or Firm* — ScienBiziP, P.C.

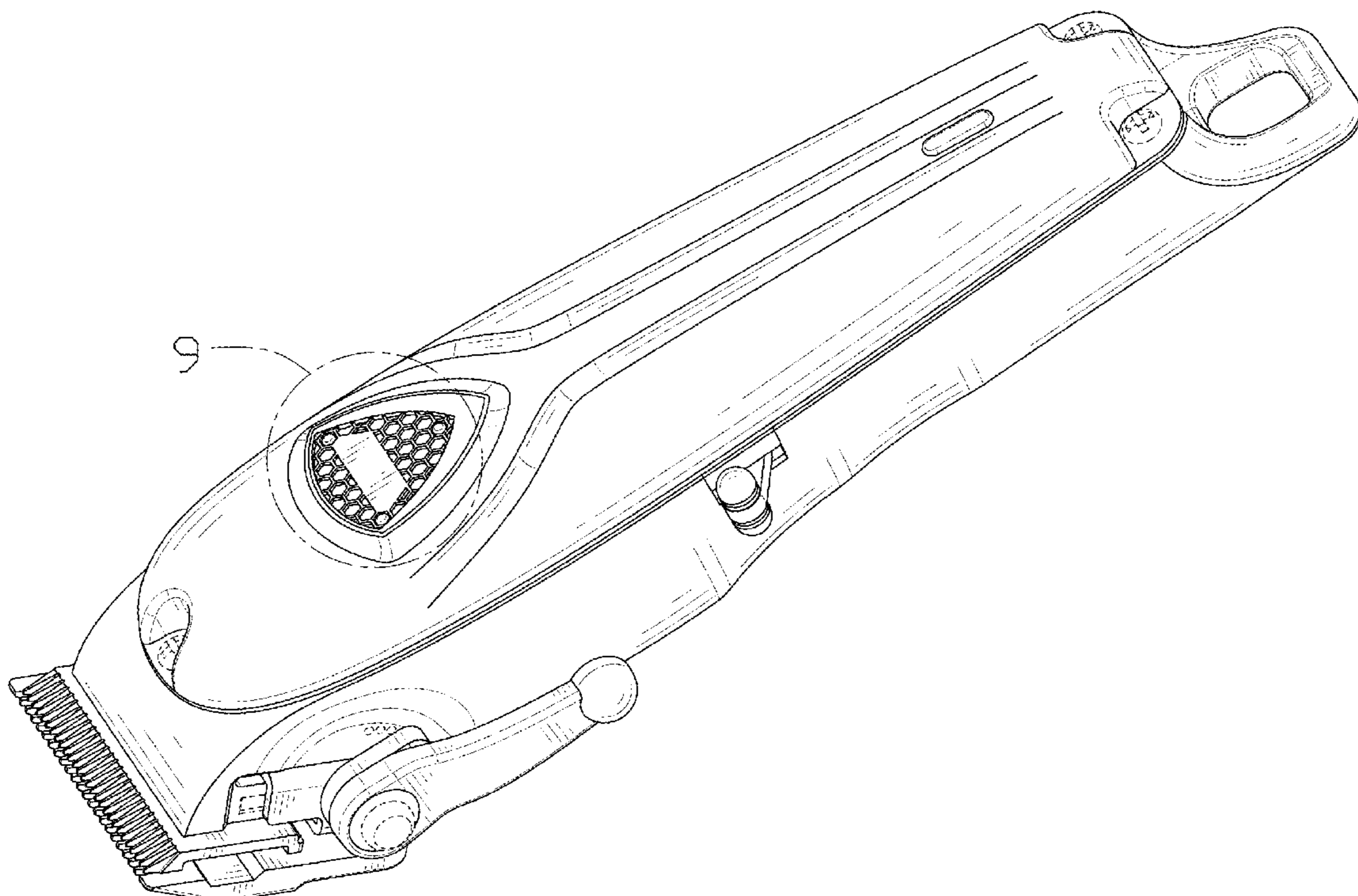
(57) **CLAIM**

The ornamental design for a hair clipper, as shown and described.

DESCRIPTION

FIG. 1 is a front perspective view of a hair clipper, showing my design.
FIG. 2 is a rear perspective view thereof.
FIG. 3 is a front elevation view thereof.
FIG. 4 is a rear elevation view thereof.
FIG. 5 is a left side elevation view thereof.
FIG. 6 is a right side elevation view thereof.
FIG. 7 is a top plan view thereof.
FIG. 8 is a bottom plan view thereof; and,
FIG. 9 is an enlarged view of portion "9" shown in FIG. 1.
The evenly-spaced broken lines in the figures illustrate portions of the article which form no part of the claimed design. The dot-dash broken lines illustrate enlarged view indicators and form no part of the claimed design.

1 Claim, 9 Drawing Sheets



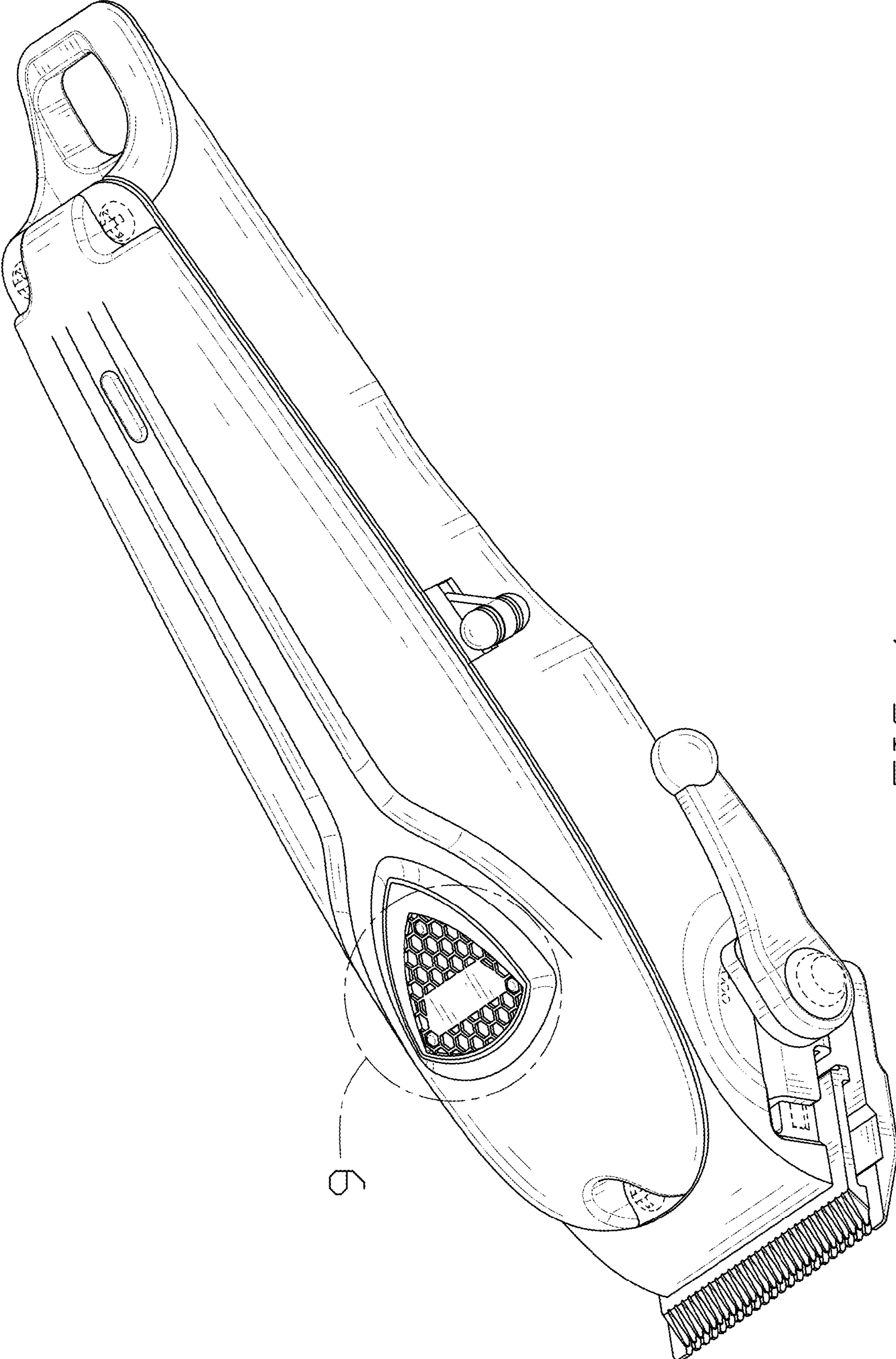


FIG. 1

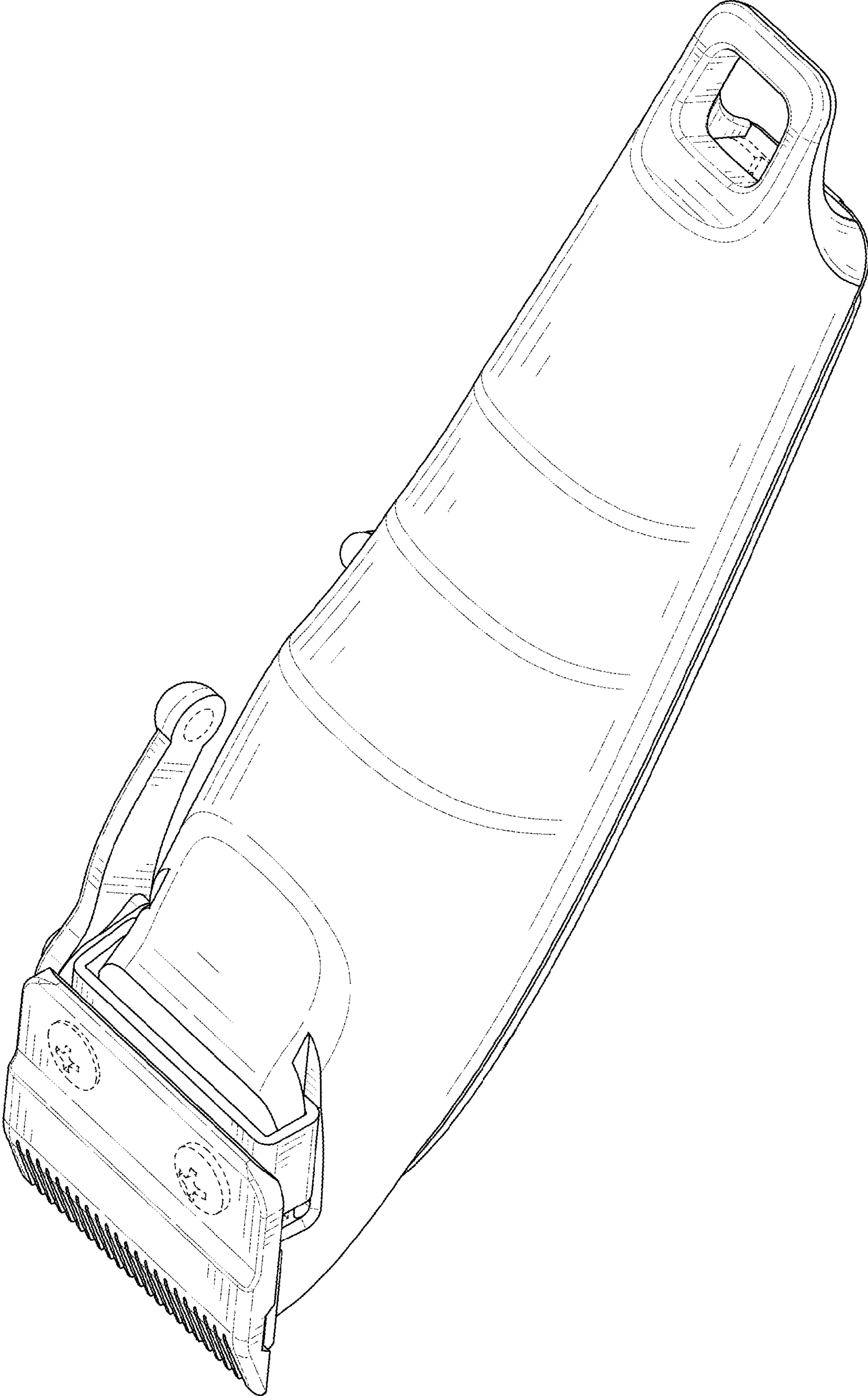


FIG. 2

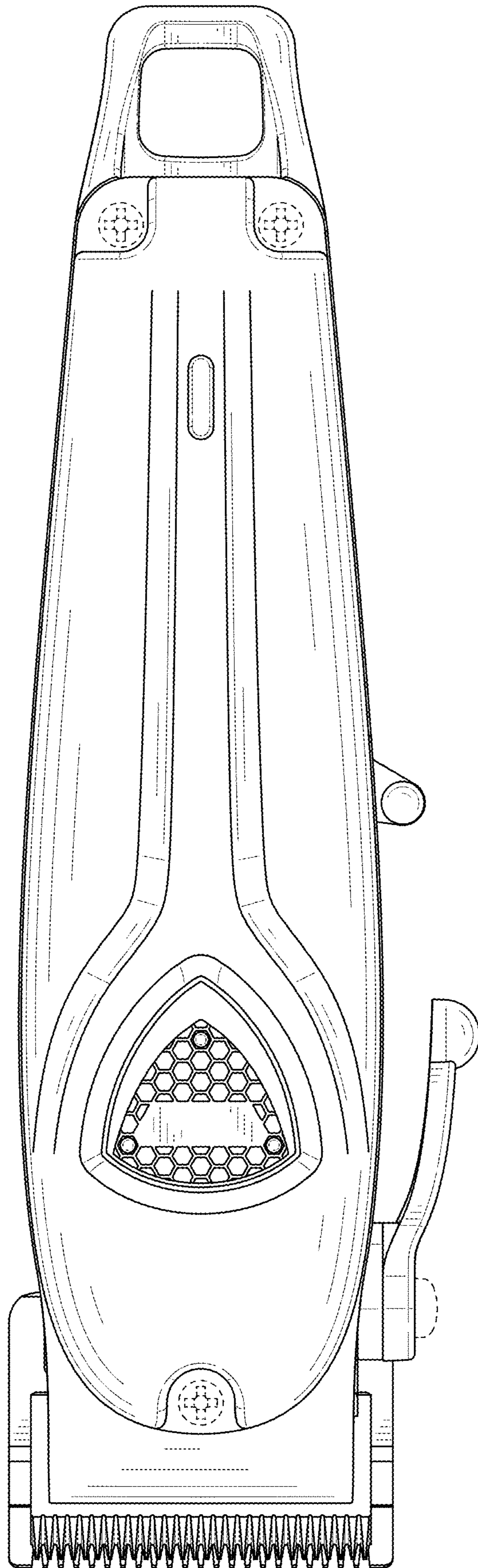


FIG. 3

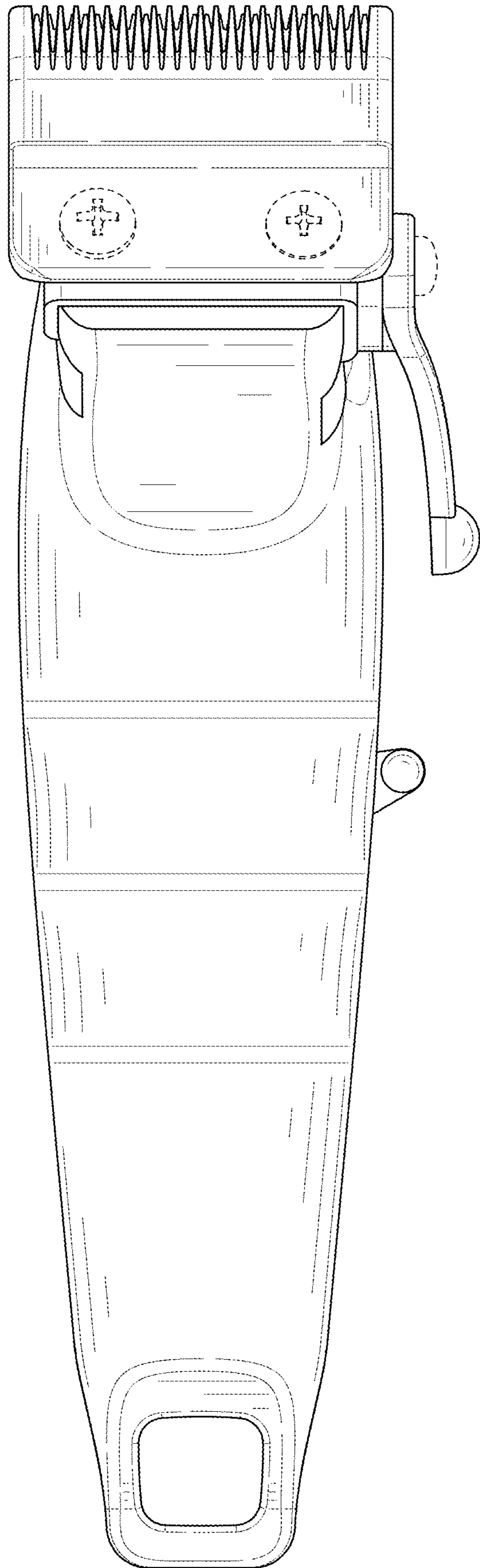


FIG. 4

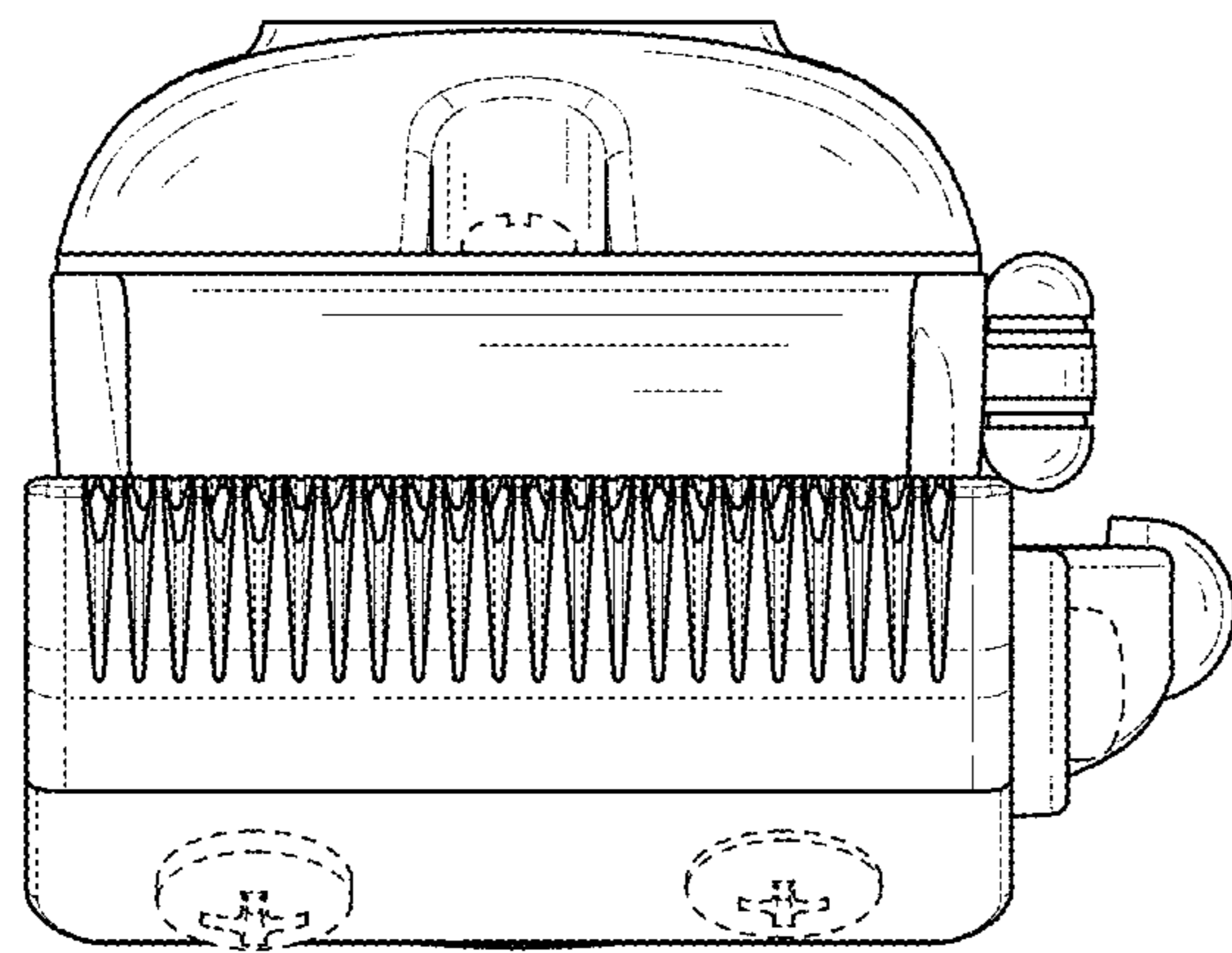


FIG. 5

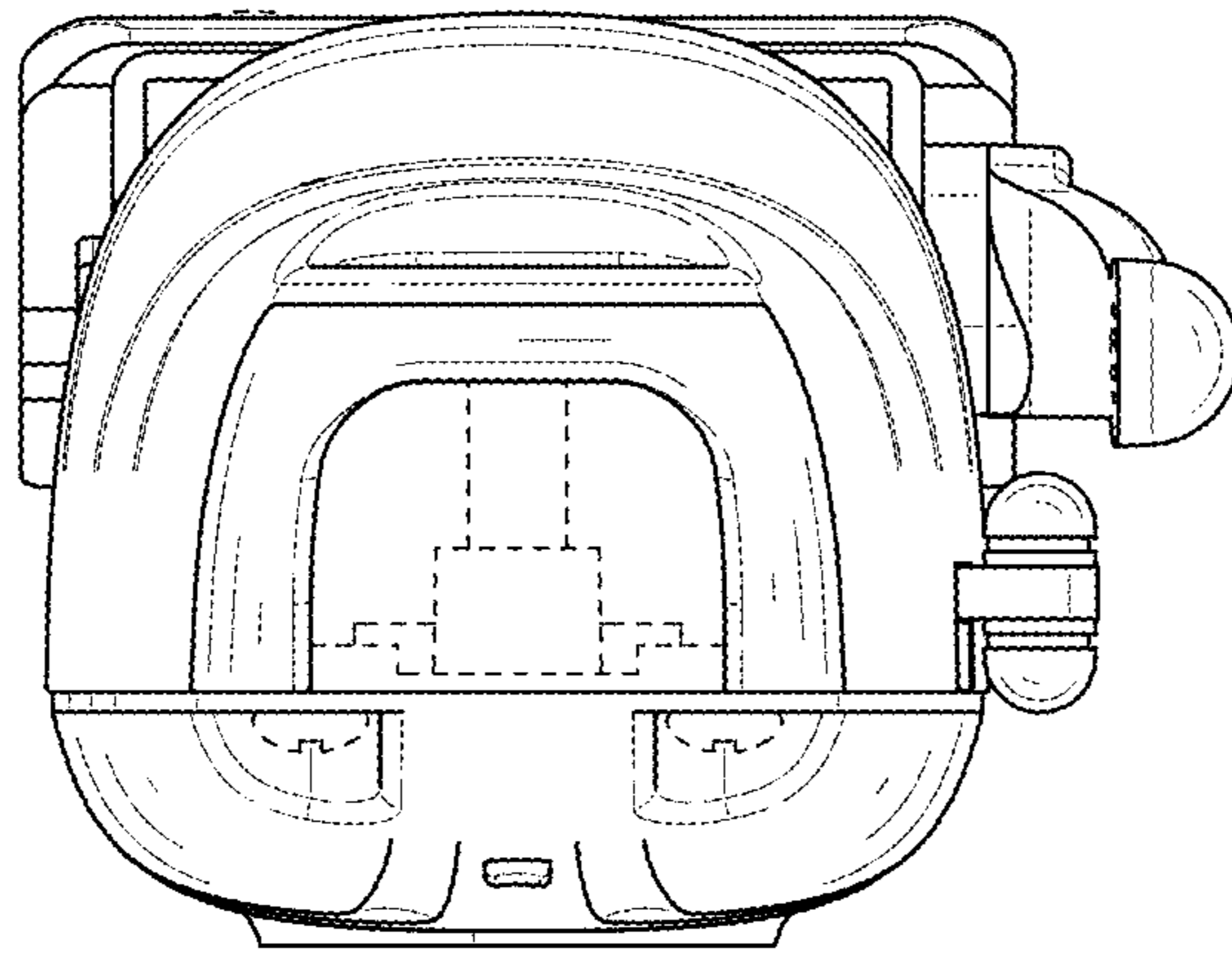


FIG. 6

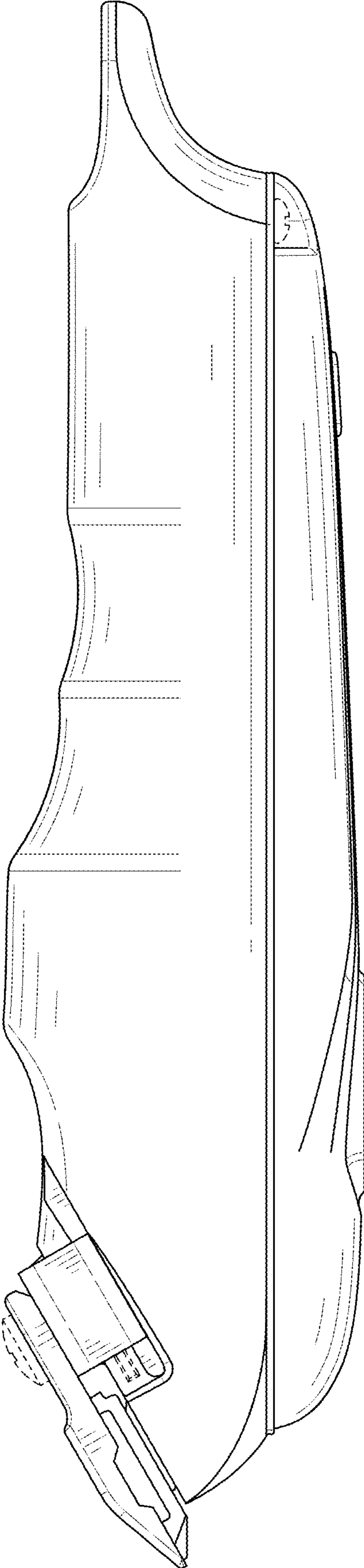


FIG. 7

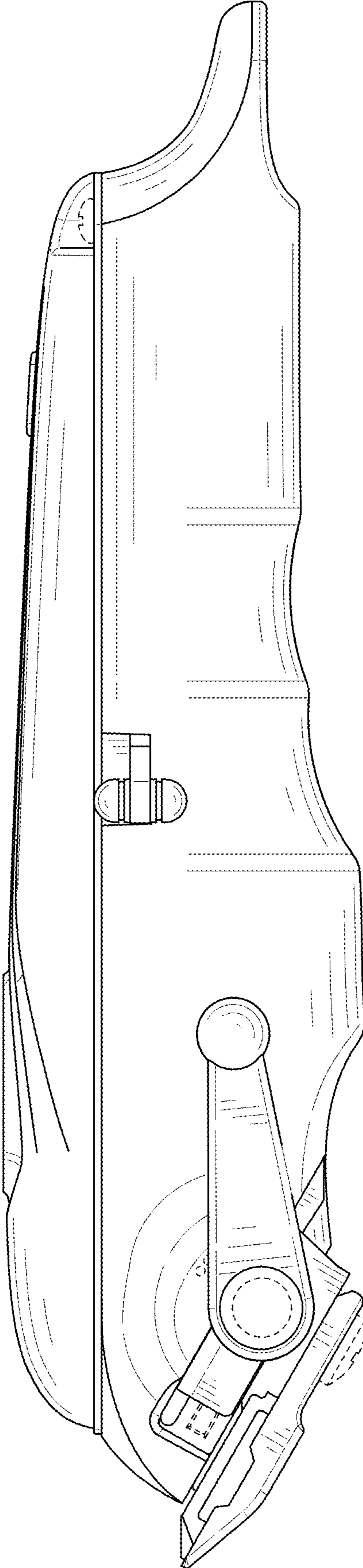


FIG. 8

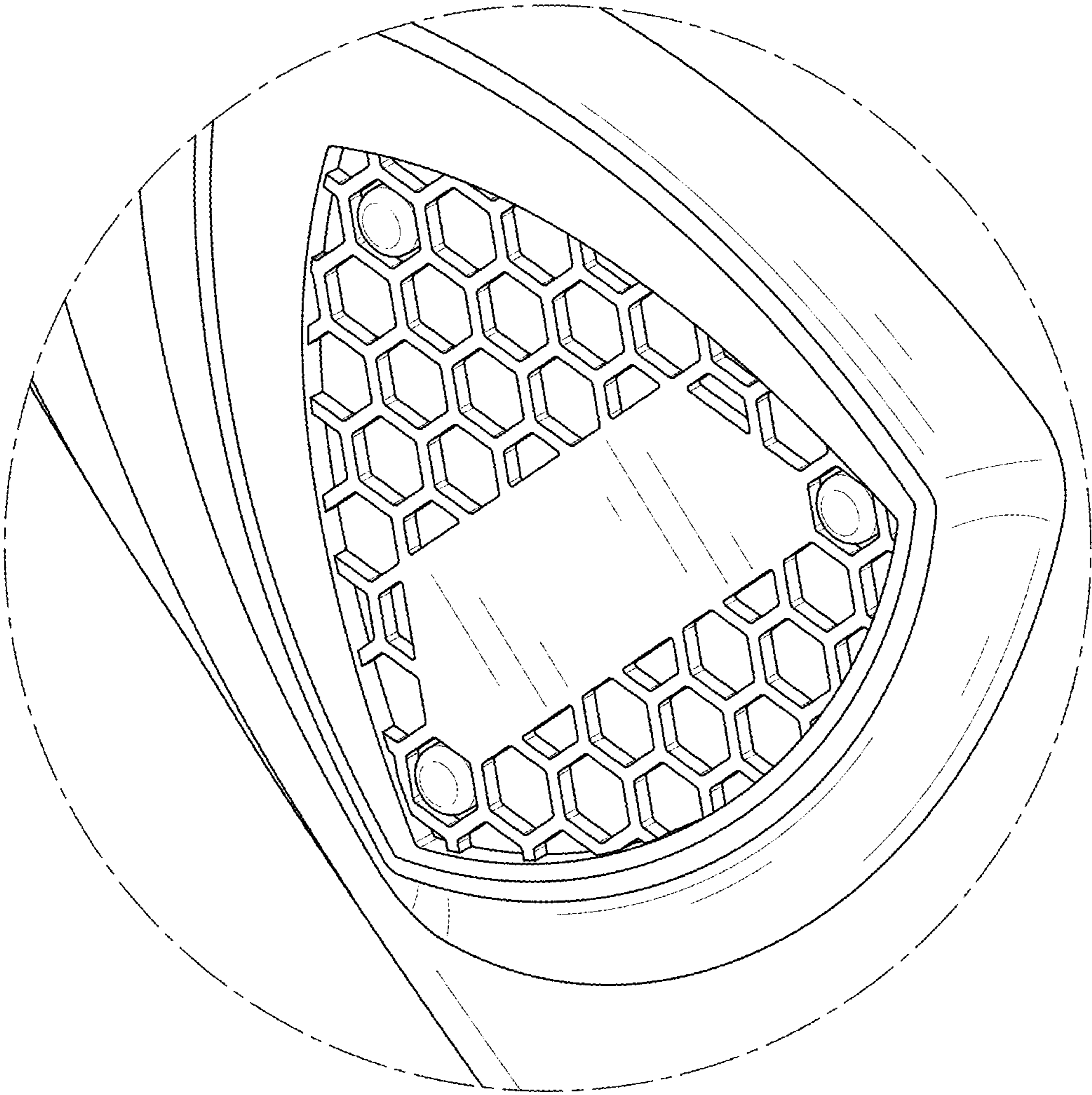


FIG. 9