



US00D947453S

(12) **United States Design Patent**
Cai

(10) **Patent No.:** **US D947,453 S**
(45) **Date of Patent:** **** Mar. 29, 2022**

(54) **HAIR CLIPPER**

(71) Applicant: **Ningbo VGR Electric Appliance Co., Ltd.**, Ningbo (CN)

(72) Inventor: **Zhenghao Cai**, Ningbo (CN)

(73) Assignee: **Ningbo VGR Electric Appliance Co., Ltd.**, Ningbo (CN)

(**) Term: **15 Years**

(21) Appl. No.: **29/735,099**

(22) Filed: **May 18, 2020**

(51) **LOC (13) Cl.** **28-03**

(52) **U.S. Cl.**
USPC **D28/53**

(58) **Field of Classification Search**
USPC D28/49-54; D30/159
CPC B26B 19/00; B26B 19/04; B26B 19/06;
B26B 19/10; B26B 19/18; B26B 19/38
See application file for complete search history.

(56) **References Cited**

U.S. PATENT DOCUMENTS

D577,864 S *	9/2008	Kitagawa	D28/53
D809,206 S *	1/2018	Boulanger	D28/53
D823,543 S *	7/2018	Smith	D28/53
D844,244 S *	3/2019	Wu	D28/53
D867,662 S *	11/2019	Cociffi	D28/53
D897,601 S *	9/2020	Zhang	D28/53
D912,328 S *	3/2021	Jiang	D28/53
D919,183 S *	5/2021	Jiang	D28/53
D923,248 S *	6/2021	Jiang	D28/53
2013/0192068 A1 *	8/2013	Kammer	B26B 19/38 30/43.9
2014/0338199 A1 *	11/2014	Erickson	B26B 19/06 30/216
2021/0060804 A1 *	3/2021	Tran	A61L 2/26

OTHER PUBLICATIONS

VGR Hair Clippers for Men, VGR, reviewed on Dec. 18, 2020 on amazon.com, retrieved on Jan. 25, 2022, retrieved from the Internet URL: <https://www.amazon.com/VGR-Clippers-Rechargeable-Cordless-Charging/dp/B08GKGD9WV?th=1>.*

* cited by examiner

Primary Examiner — Jennifer Rivard

Assistant Examiner — Alison M Ofstun

(74) *Attorney, Agent, or Firm* — ScienBiziP, P.C.

(57) **CLAIM**

The ornamental design for a hair clipper, as shown and described.

DESCRIPTION

FIG. 1 is a front and left perspective view of a hair clipper, showing my design.

FIG. 2 is back and right perspective view thereof.

FIG. 3 is a front elevation view thereof.

FIG. 4 is a rear elevation view thereof.

FIG. 5 is a left side elevation view thereof.

FIG. 6 is a right side elevation view thereof.

FIG. 7 is a top plan view thereof.

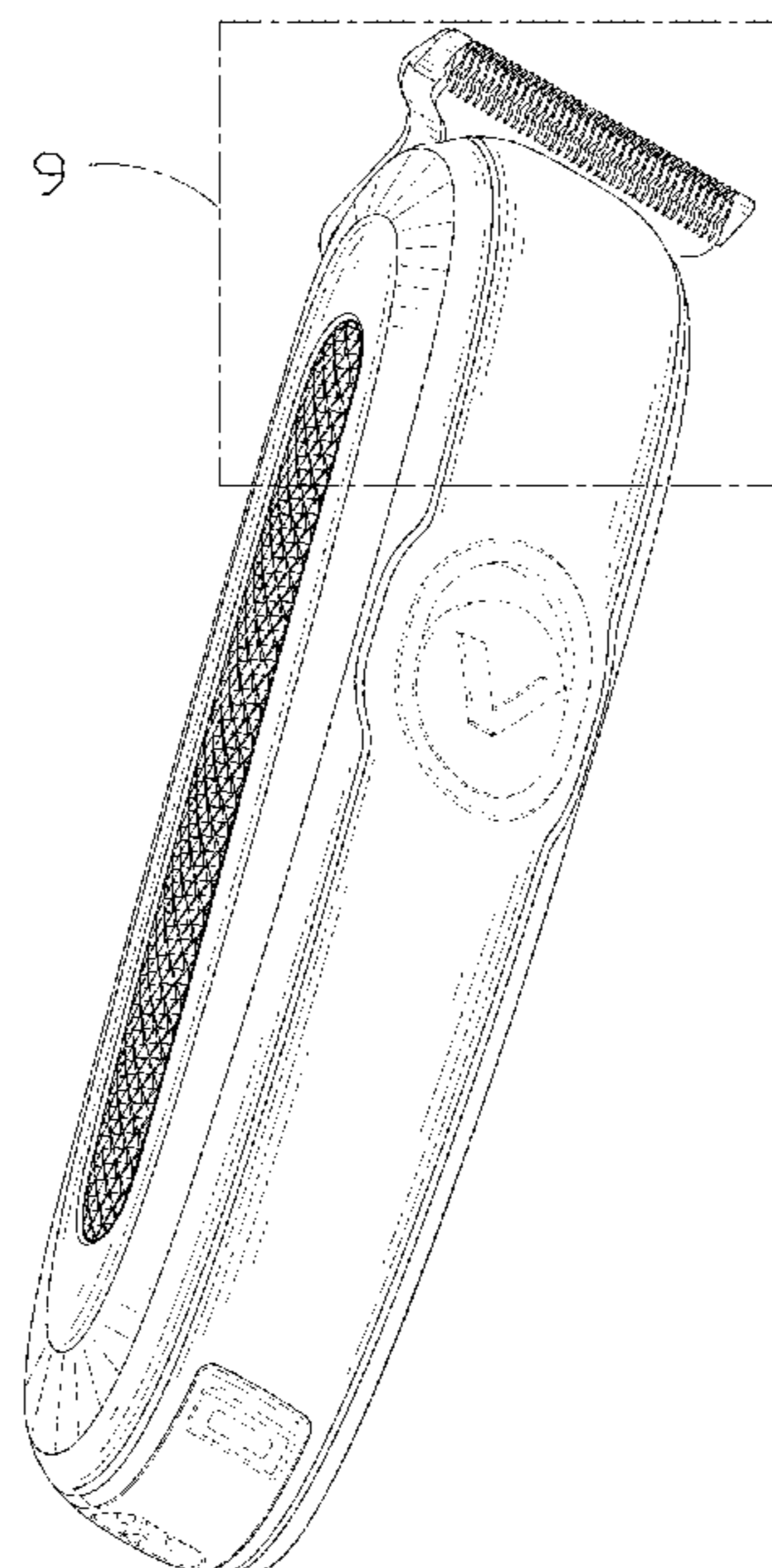
FIG. 8 is a bottom plan view thereof.

FIG. 9 is an enlarged view of portion “9” shown in FIG. 1; and,

FIG. 10 is an enlarged view of portion “10” shown in FIG. 2.

The evenly spaced broken lines in the figures illustrate portions of the article which form no part of the claim. The dot-dash broken lines illustrate enlarged view indicators and form no part of the claimed design.

1 Claim, 10 Drawing Sheets



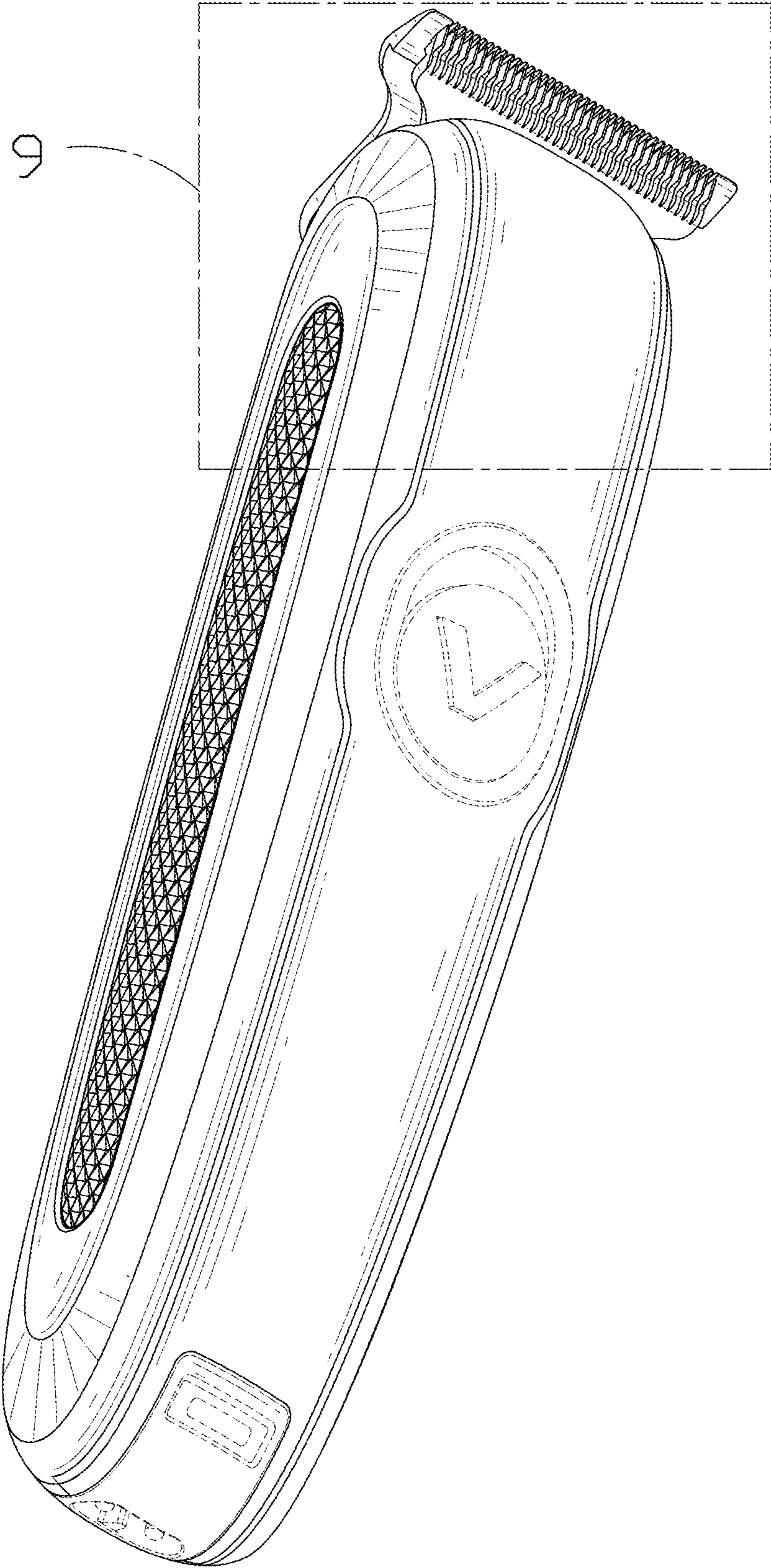


FIG. 1

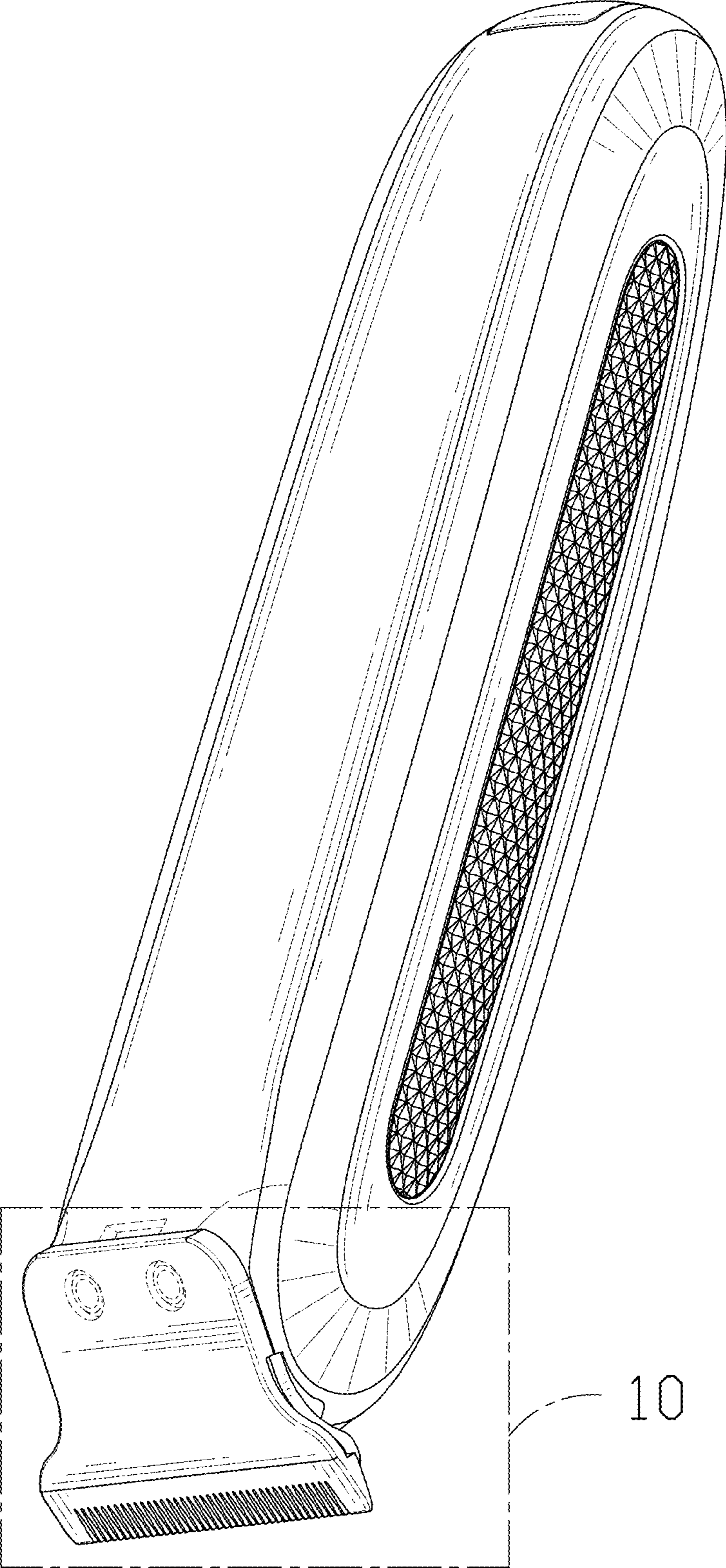


FIG. 2

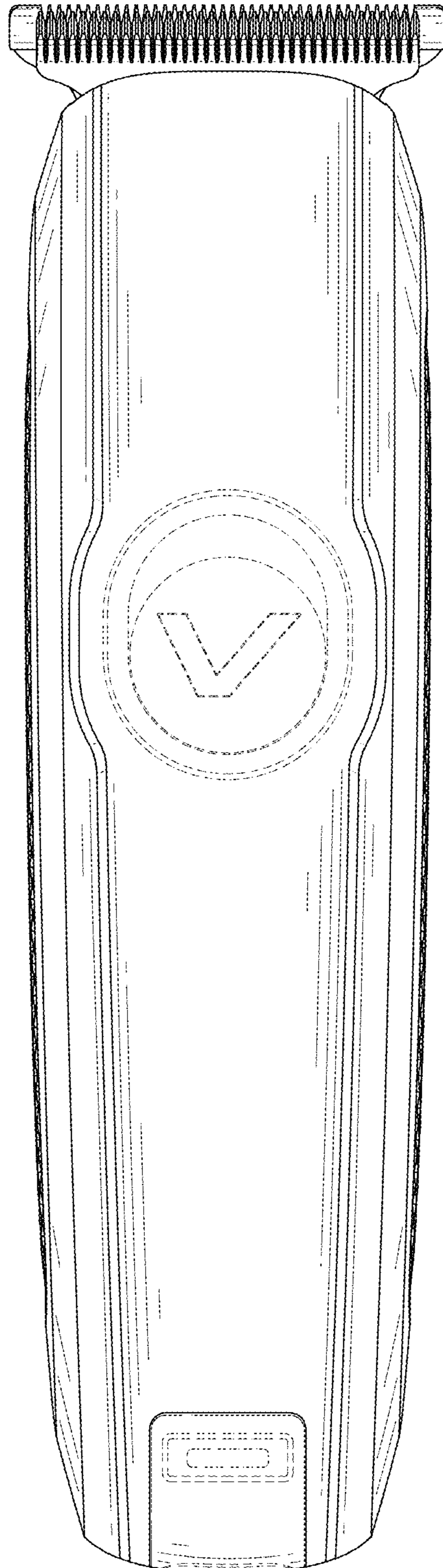


FIG. 3

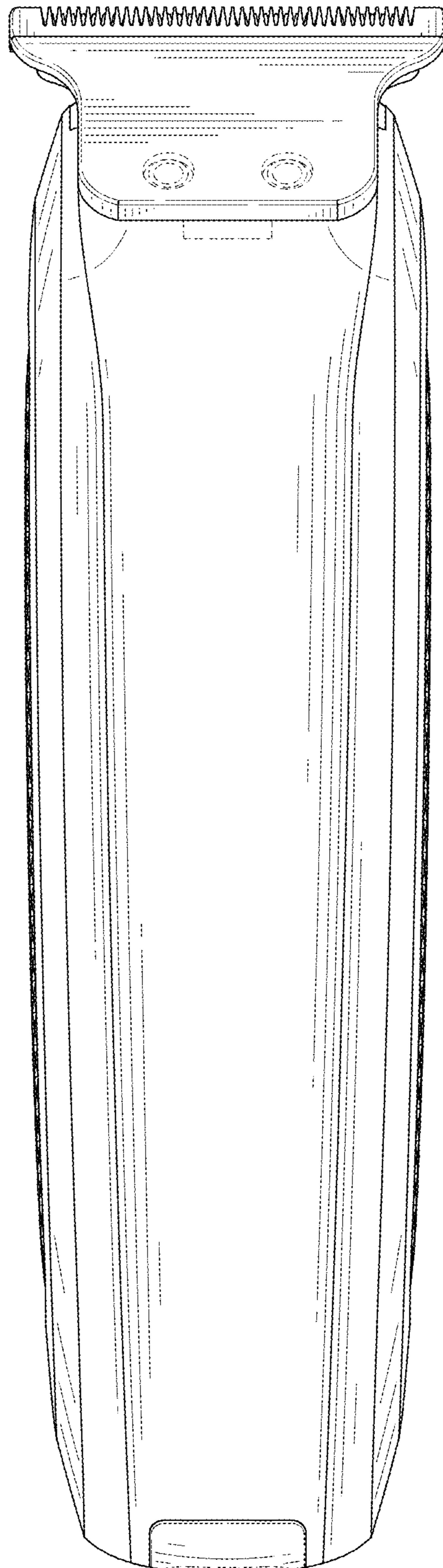


FIG. 4

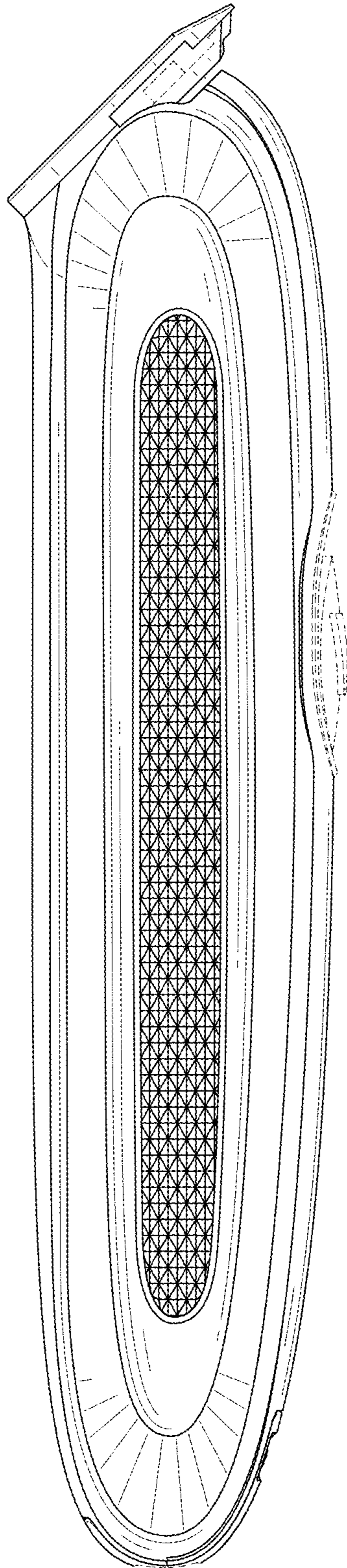


FIG. 5

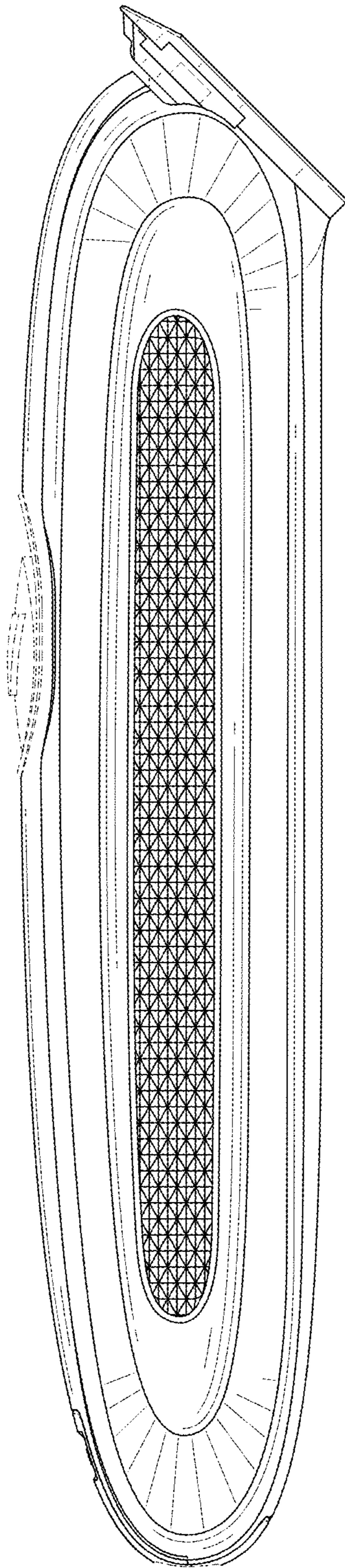


FIG. 6

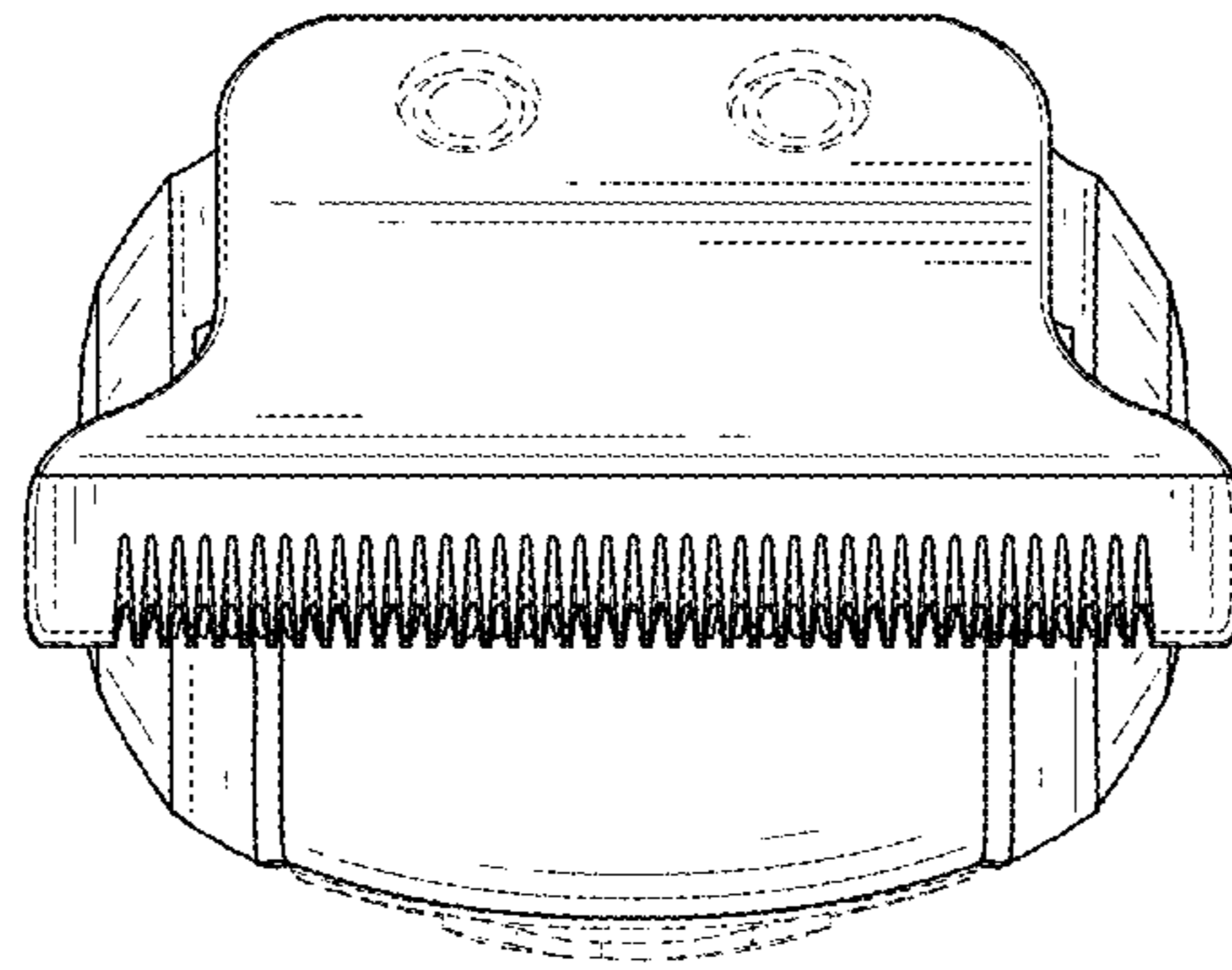


FIG. 7

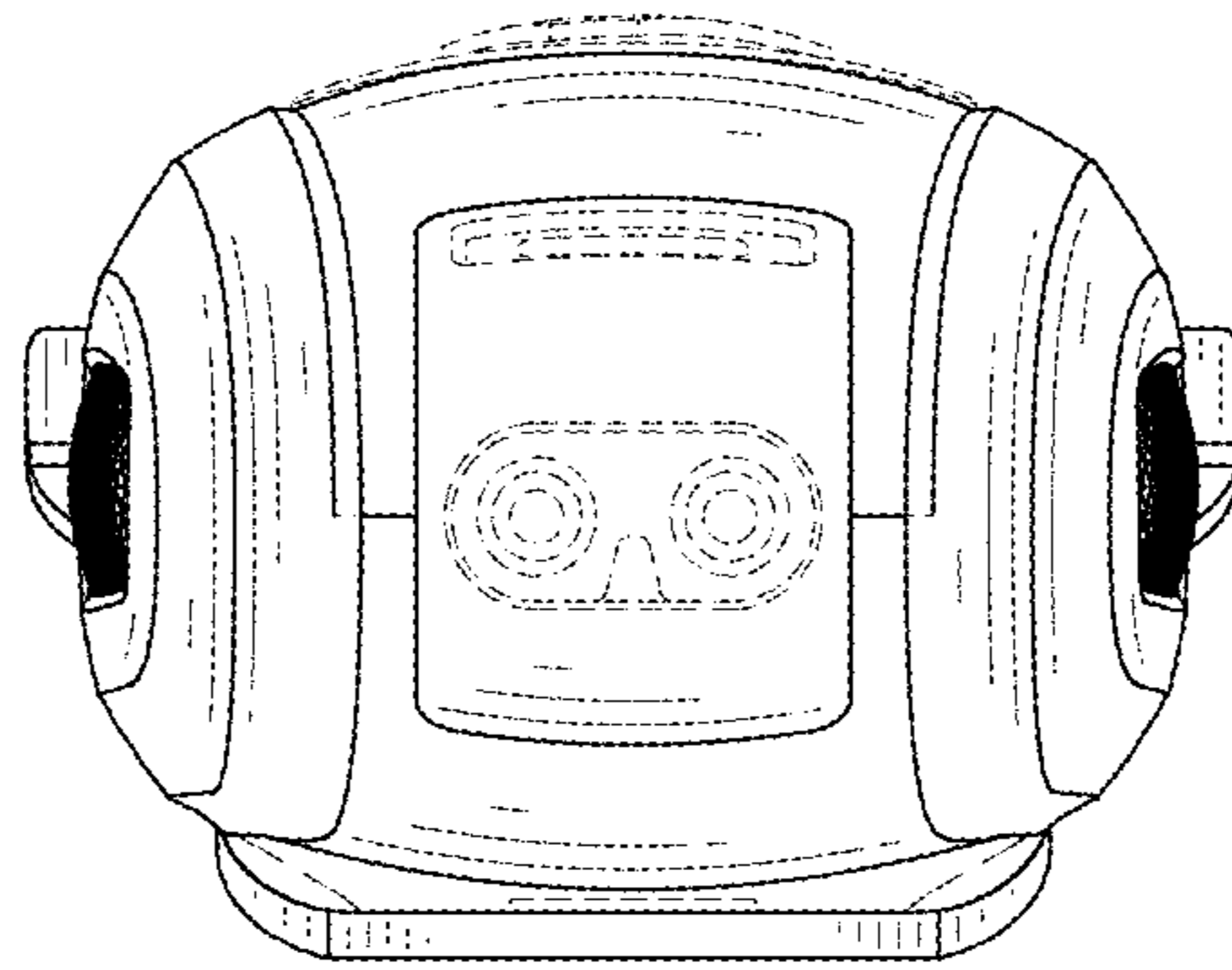


FIG. 8

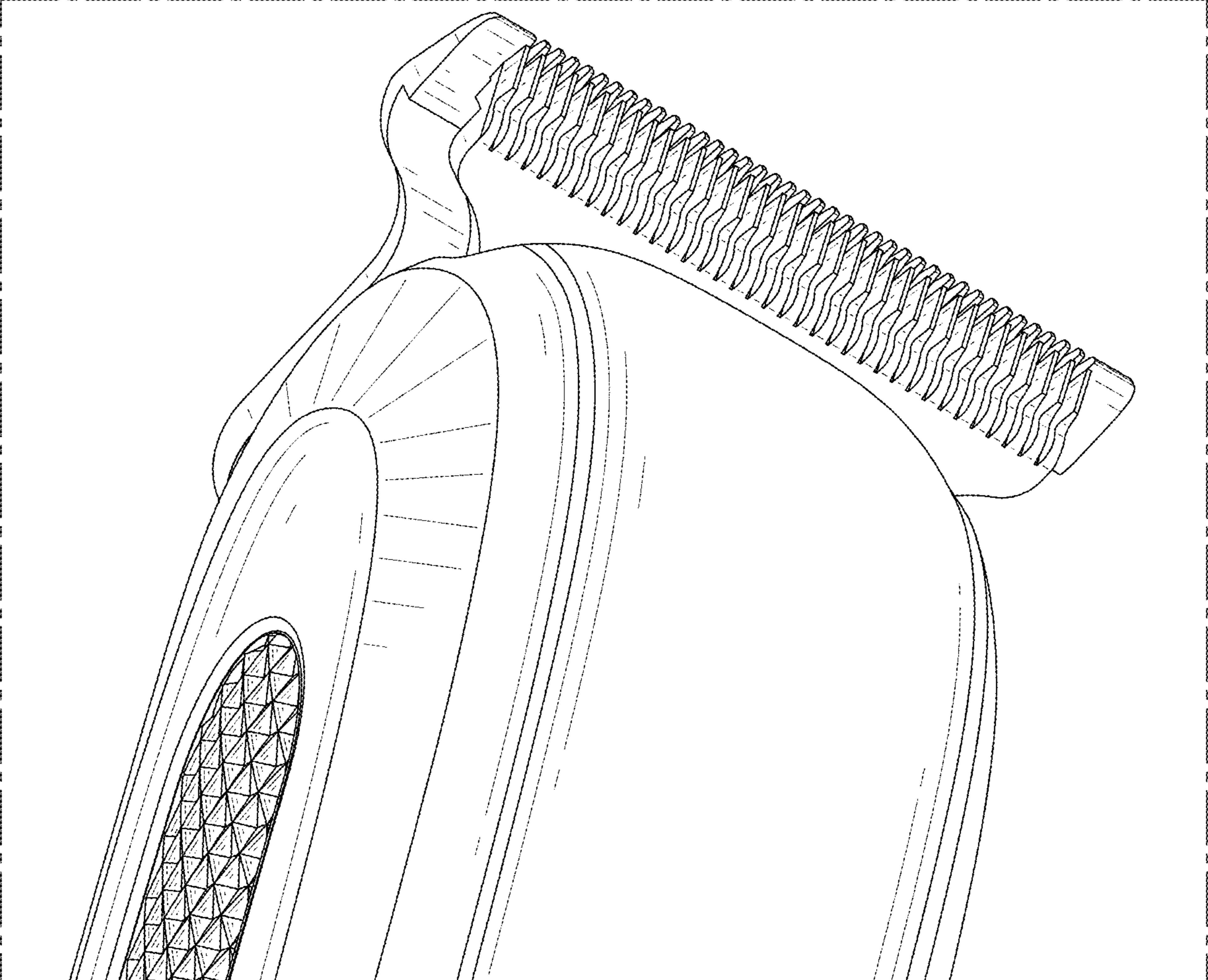


FIG. 9

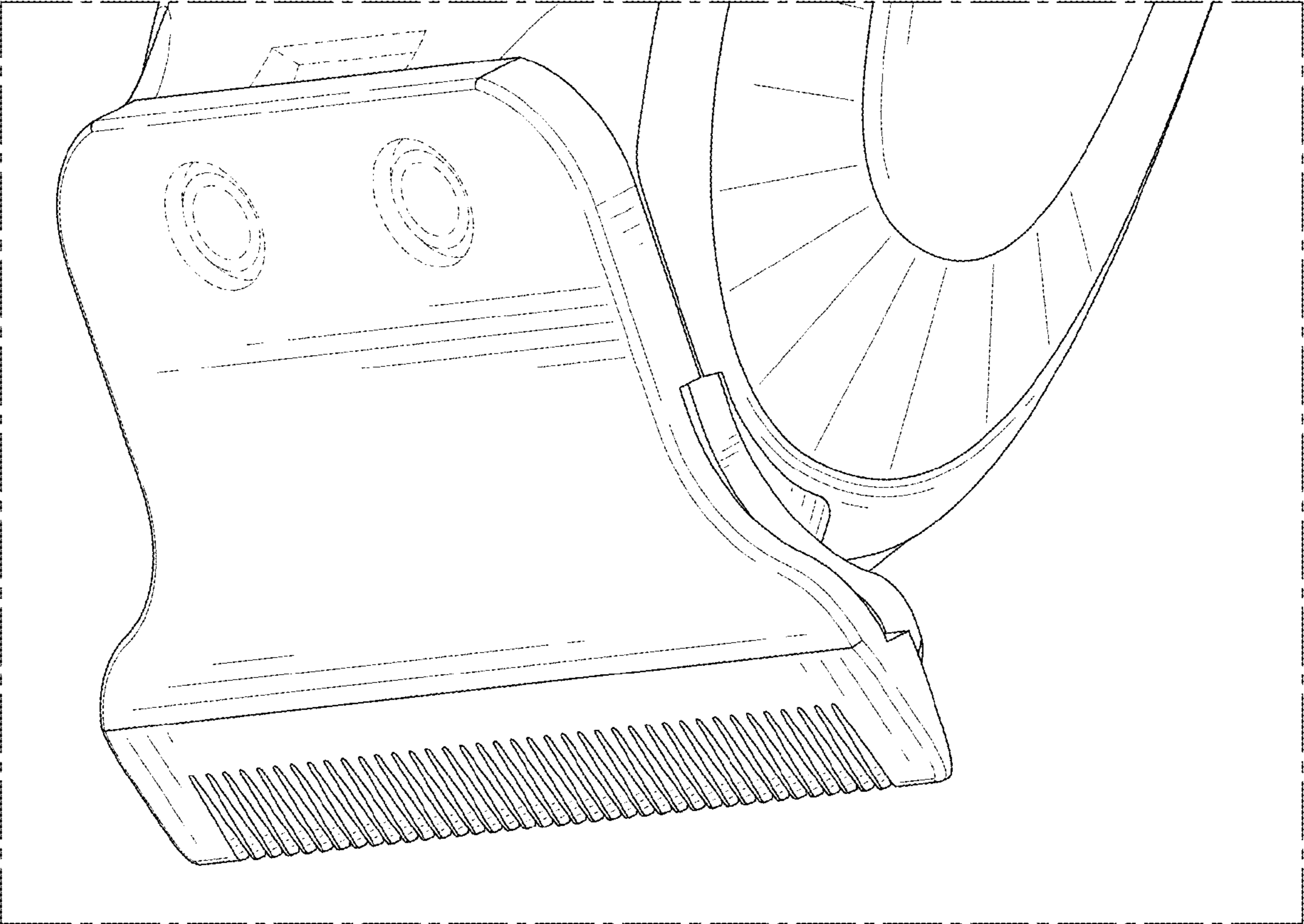


FIG. 10