



US00D947452S

(12) **United States Design Patent**
Qian

(10) **Patent No.:** **US D947,452 S**

(45) **Date of Patent:** **** Mar. 29, 2022**

(54) **ELECTRIC EYEBROW RAZOR**

(71) Applicant: **Shenzhen Lai Shimei Cosmetics Co., Ltd.**, Shenzhen (CN)

(72) Inventor: **JunJiang Qian**, Zaoyang (CN)

(**) Term: **15 Years**

(21) Appl. No.: **29/768,714**

(22) Filed: **Feb. 1, 2021**

(51) **LOC (13) Cl.** **28-03**

(52) **U.S. Cl.**
USPC **D28/49; D28/53**

(58) **Field of Classification Search**
USPC D28/53, 49, 51
CPC B26B 19/06; B26B 19/063; B26B 19/145;
B26B 19/146; B26B 19/3826; B26B
19/3873; B26B 19/3886
See application file for complete search history.

(56) **References Cited**

U.S. PATENT DOCUMENTS

D531,754 S *	11/2006	Lee	D28/45
D674,144 S *	1/2013	Yamamoto	D28/51
D674,145 S *	1/2013	Ino	D28/51
D758,663 S *	6/2016	Van Maanen	D28/53
D868,373 S *	11/2019	Kling	D28/44.1
D882,874 S *	4/2020	Peng	D28/51
D888,341 S *	6/2020	Stowers	D28/51
D891,701 S *	7/2020	Baratelli	D28/53
D894,489 S *	8/2020	Baratelli	D28/53
10,737,402 B2 *	8/2020	Wang	B26B 19/3853
D906,592 S *	12/2020	Zhu	D28/53
D907,294 S *	1/2021	Zhu	D28/53
D907,853 S *	1/2021	Bessho	D28/53

D915,673 S *	4/2021	Neinae	D28/50
10,993,519 B2 *	5/2021	Levy	A61B 50/20
2013/0025903 A1 *	1/2013	Yamaguchi	B26B 19/3853 174/50
2021/0307490 A1 *	10/2021	Tsui	A46B 13/023

OTHER PUBLICATIONS

Leuxe eyebrow trimmer, www.amazon.com, reviewed as early as Apr. 2021, 1 page (Year: 2021).*

* cited by examiner

Primary Examiner — Jennifer Rivard

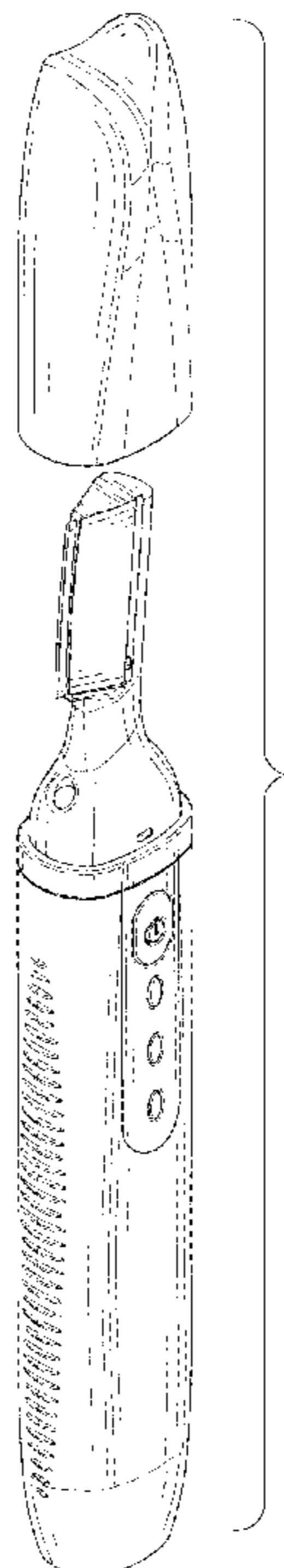
(57) **CLAIM**

The ornamental design for an electric eyebrow razor, as shown and described.

DESCRIPTION

FIG. 1 is a front and top perspective view of an electric eyebrow razor, showing my new design;
 FIG. 2 is a rear and bottom perspective view thereof;
 FIG. 3 is a front elevation view thereof;
 FIG. 4 is a rear elevation view thereof;
 FIG. 5 is a left side elevation view thereof;
 FIG. 6 is a right side elevation view thereof;
 FIG. 7 is a top plan view thereof;
 FIG. 8 is a bottom plan view thereof;
 FIG. 9 is another perspective view thereof, shown in an alternative position; and,
 FIG. 10 is another perspective view thereof, shown in an alternative position.
 The broken lines in the figures illustrate portions of the article that form no part of the claimed design.

1 Claim, 10 Drawing Sheets



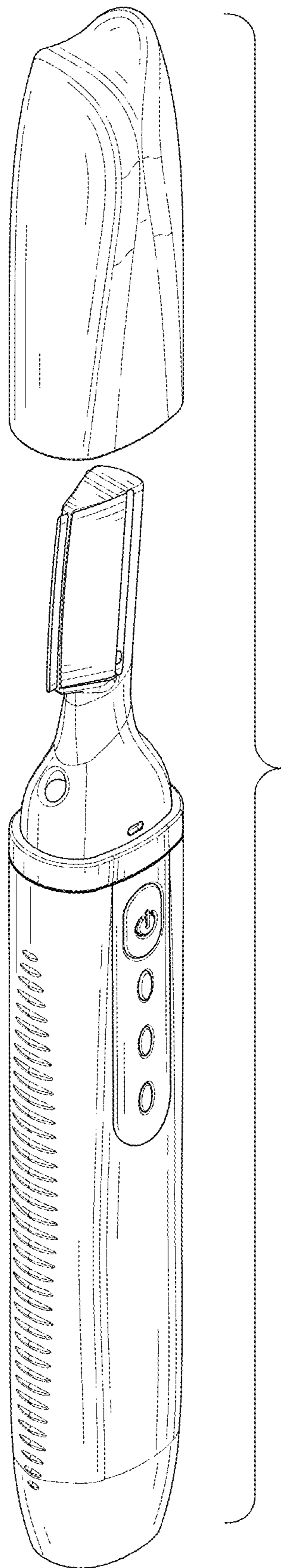


FIG. 1

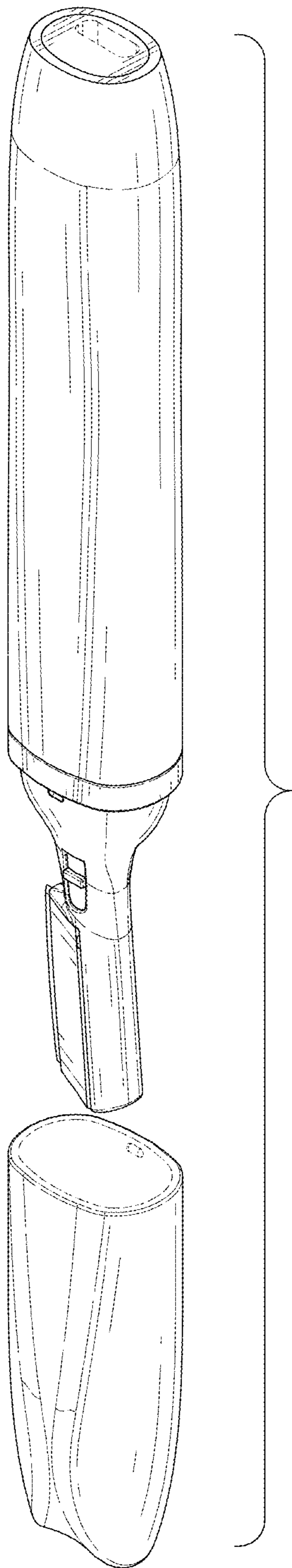


FIG. 2

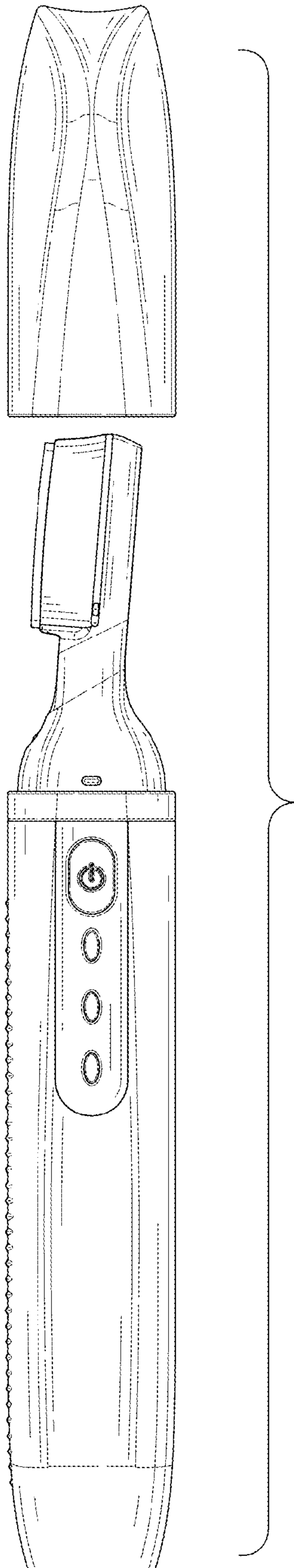


FIG. 3

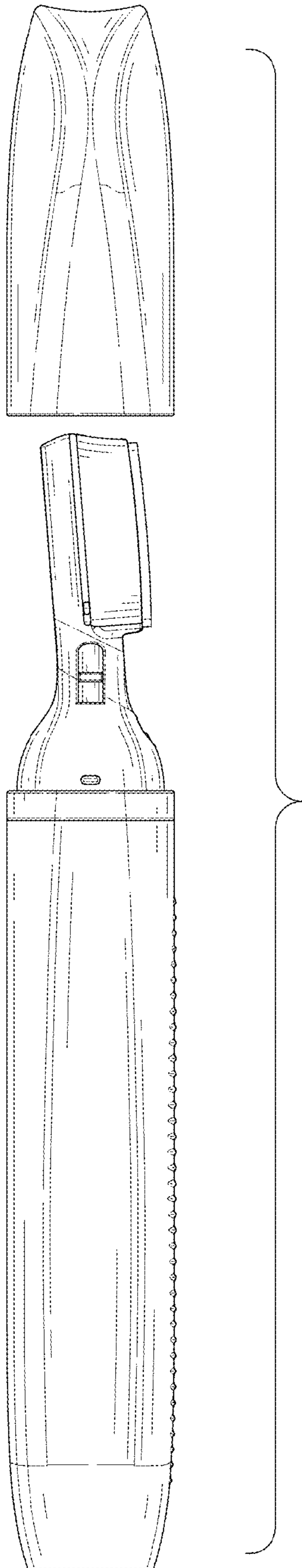


FIG. 4

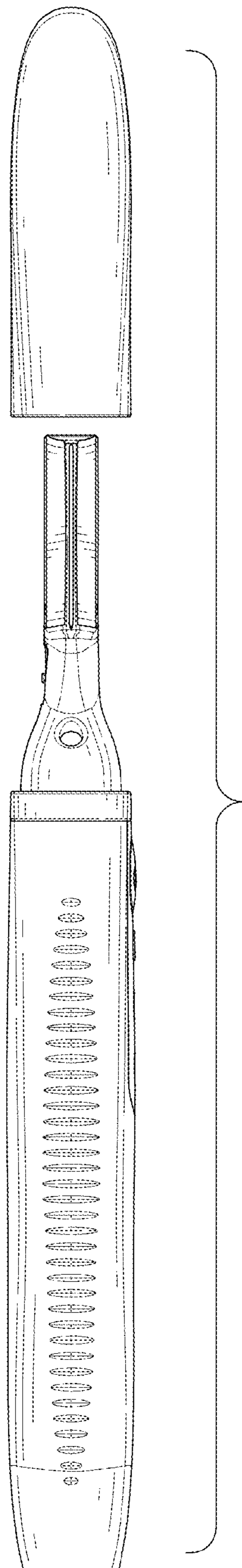


FIG. 5

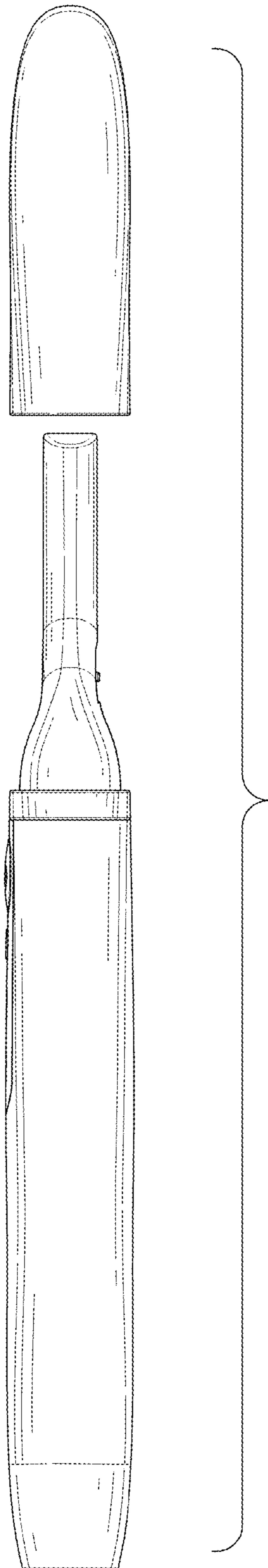


FIG. 6

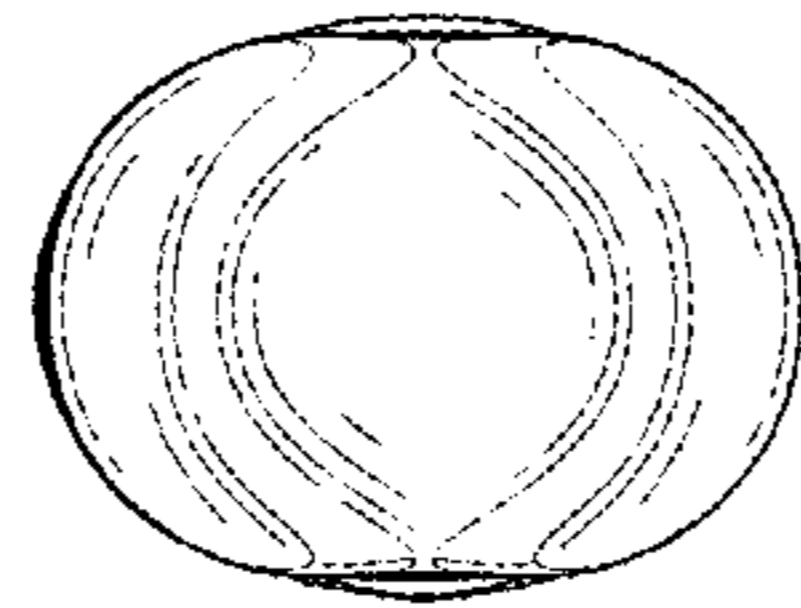


FIG. 7

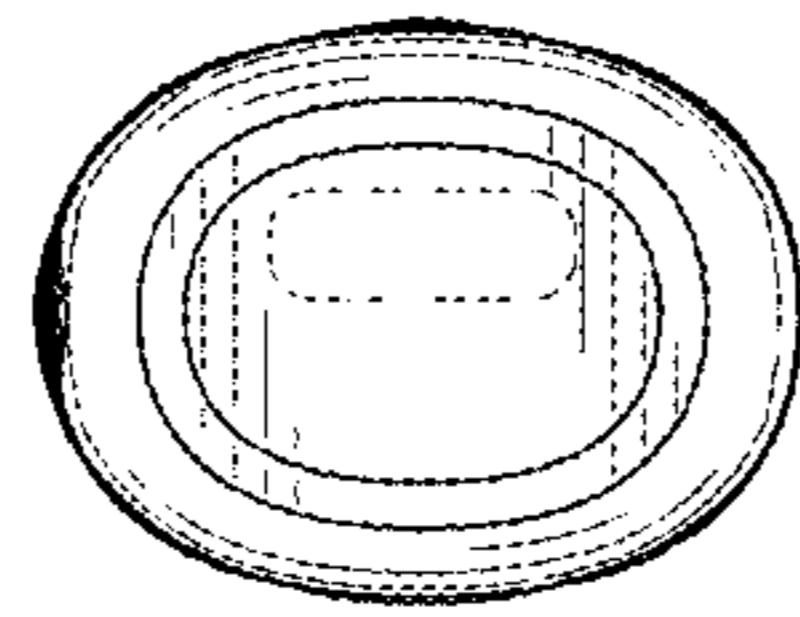


FIG. 8

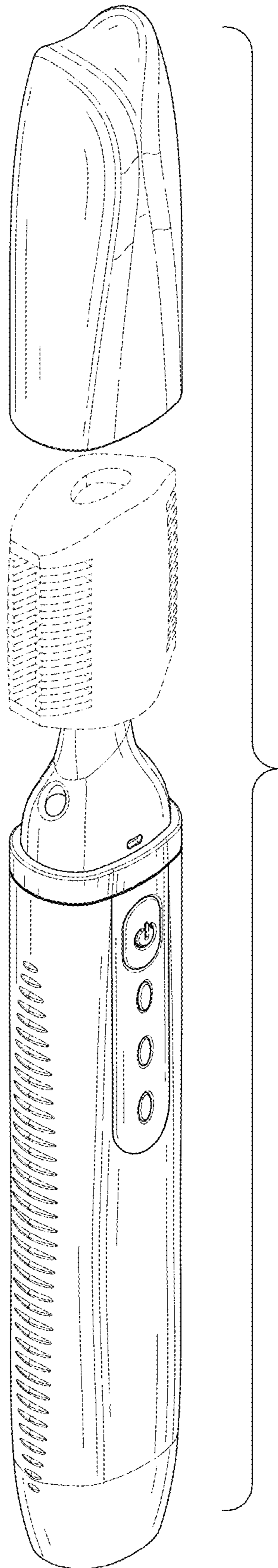


FIG. 9

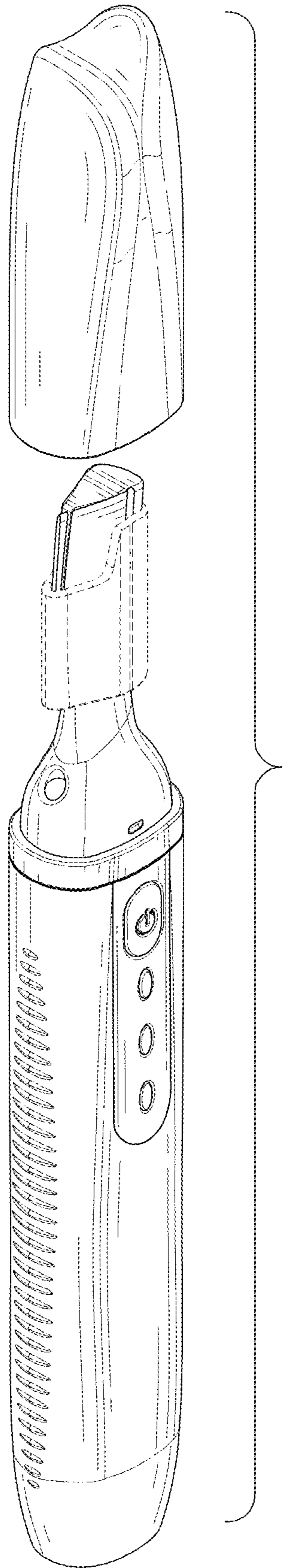


FIG. 10