



US00D947451S

(12) **United States Design Patent**  
**Fernald et al.**

(10) **Patent No.:** **US D947,451 S**  
(45) **Date of Patent:** **\*\* Mar. 29, 2022**

(54) **RAZOR CARTRIDGE GUARD**  
(71) Applicant: **Edgewell Personal Care Brands, LLC**, Chesterfield, MO (US)  
(72) Inventors: **Christopher Fernald**, Fairfield, CT (US); **Donald Roche**, Orange, CT (US)  
(73) Assignee: **EDGEWELL PERSONAL CARE BRANDS, LLC**, Chesterfield, MO (US)  
(\*\*) Term: **15 Years**

D874,727 S 2/2020 Washington et al.  
D886,380 S \* 6/2020 Washington ..... D28/47  
D890,429 S \* 7/2020 Chae ..... D28/47  
D905,908 S \* 12/2020 Washington ..... D28/47  
2003/0217470 A1 \* 11/2003 Follo ..... B26B 21/443  
30/81  
2011/0314678 A1 \* 12/2011 Peterson ..... B21D 53/645  
30/77  
2016/0158948 A1 \* 6/2016 Eagleton ..... B26B 21/443  
30/34.2  
2018/0222070 A1 \* 8/2018 Burrowes ..... B26B 21/446  
2018/0297222 A1 \* 10/2018 Hodgson ..... B26B 21/446  
(Continued)

(21) Appl. No.: **29/733,007**  
(22) Filed: **Apr. 29, 2020**  
(51) **LOC (13) Cl.** ..... **28-03**  
(52) **U.S. Cl.**  
USPC ..... **D28/47**  
(58) **Field of Classification Search**  
USPC ..... D28/46-48  
CPC ..... B26B 21/22-227; B26B 21/4012-4031;  
B26B 21/4068  
See application file for complete search history.

**OTHER PUBLICATIONS**

Design U.S. Appl. No. 29/723,939, filed Feb. 12, 2020, Fernald et al. "Razor Cartridge Guard".

*Primary Examiner* — Jennifer Rivard

(57) **CLAIM**

We claim the ornamental design for the razor cartridge guard, as shown and described.

**DESCRIPTION**

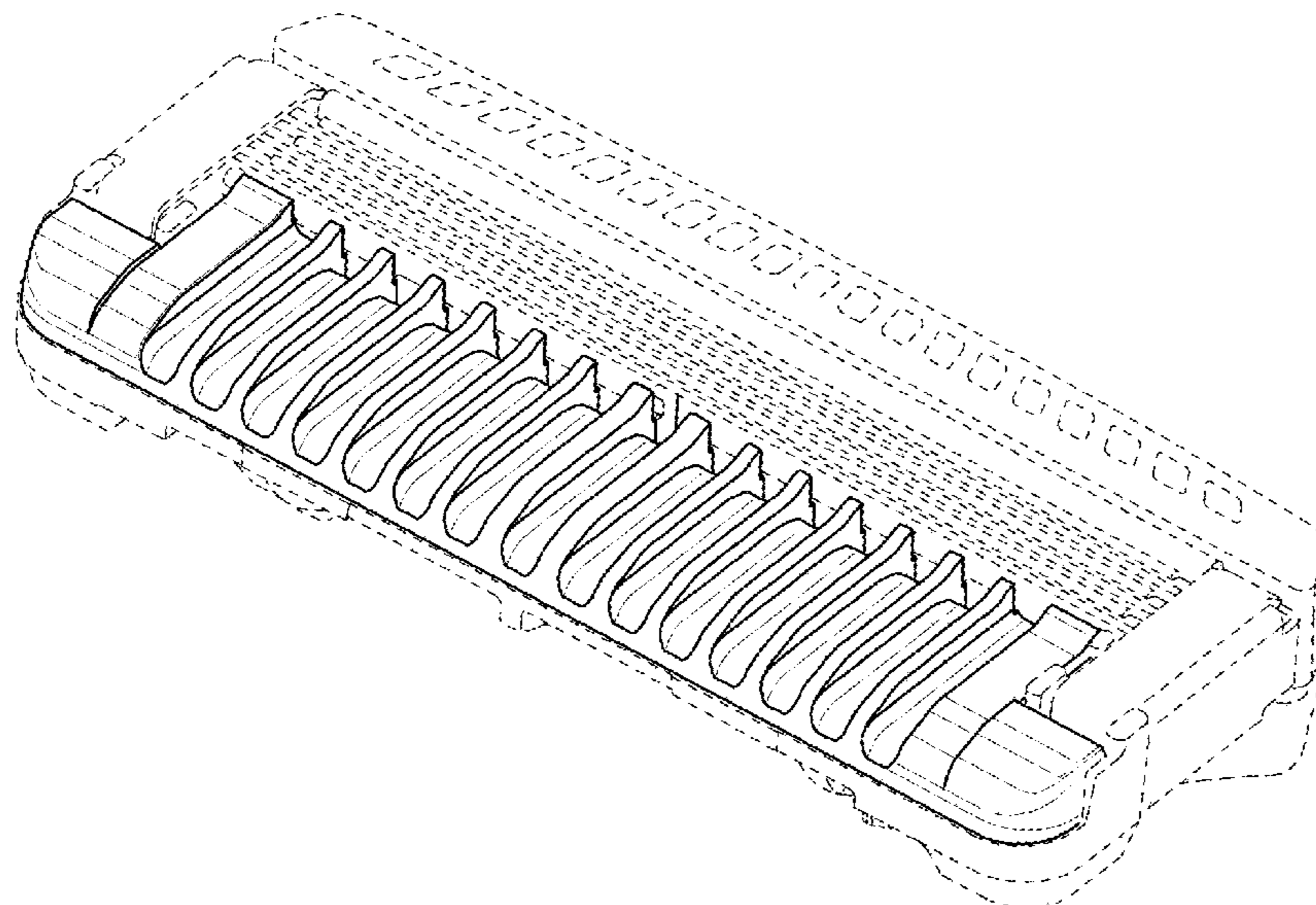
FIG. 1 is an upper-front perspective view of a razor cartridge guard.  
FIG. 2 is an upper-side perspective view thereof.  
FIG. 3 is a top view thereof.  
FIG. 4 is a bottom view thereof.  
FIG. 5 is a front view thereof.  
FIG. 6 is a rear view, opposite the view of FIG. 5.  
FIG. 7 is a side view thereof; and,  
FIG. 8 is a side view, opposite the view of FIG. 7.  
The broken lines that connect the solid line disclosure illustrate the bounds of the claim. The remaining broken lines illustrate the environment for the razor cartridge guard. Neither of the broken line disclosures form part of the claimed design.

**1 Claim, 6 Drawing Sheets**

(56) **References Cited**

**U.S. PATENT DOCUMENTS**

4,146,958 A 4/1979 Chen et al.  
4,854,043 A \* 8/1989 Chen ..... B26B 21/4012  
30/50  
D343,255 S 1/1994 Miller et al.  
D601,753 S \* 10/2009 Cataudella ..... D28/47  
D602,634 S \* 10/2009 Cataudella ..... D28/46  
D633,254 S \* 2/2011 Witkus ..... D28/47  
D665,948 S \* 8/2012 Jessemey ..... D28/47  
8,413,334 B2 \* 4/2013 Walker, Jr. .... B26B 21/4025  
30/50  
9,221,185 B2 12/2015 Walker, Jr. et al.  
10,155,320 B2 \* 12/2018 Ren ..... B26B 21/222  
D843,058 S \* 3/2019 Fyfield ..... D28/46  
10,464,228 B2 \* 11/2019 Khubani ..... B26B 21/405  
D874,725 S \* 2/2020 Riehle ..... D28/46



(56)

**References Cited**

U.S. PATENT DOCUMENTS

2020/0070375 A1\* 3/2020 Hurtado ..... B26B 21/225  
2020/0368927 A1\* 11/2020 O'Connor ..... B26B 21/443  
2021/0016458 A1\* 1/2021 Peterson ..... B26B 21/4012  
2021/0031390 A1\* 2/2021 Skrobis ..... B26B 21/14  
2021/0213631 A1\* 7/2021 Griffin ..... B26B 21/565

\* cited by examiner

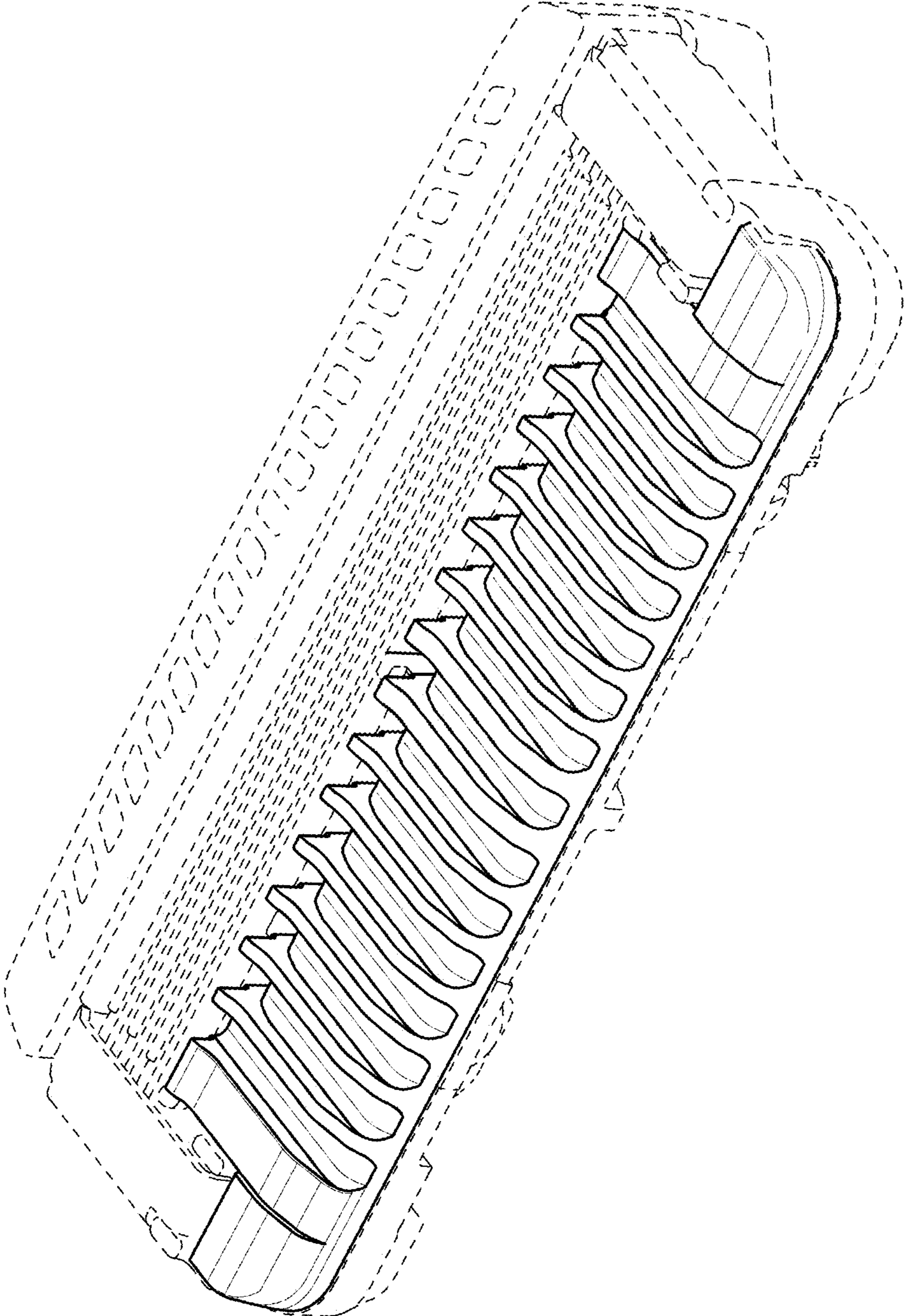


FIG. 1

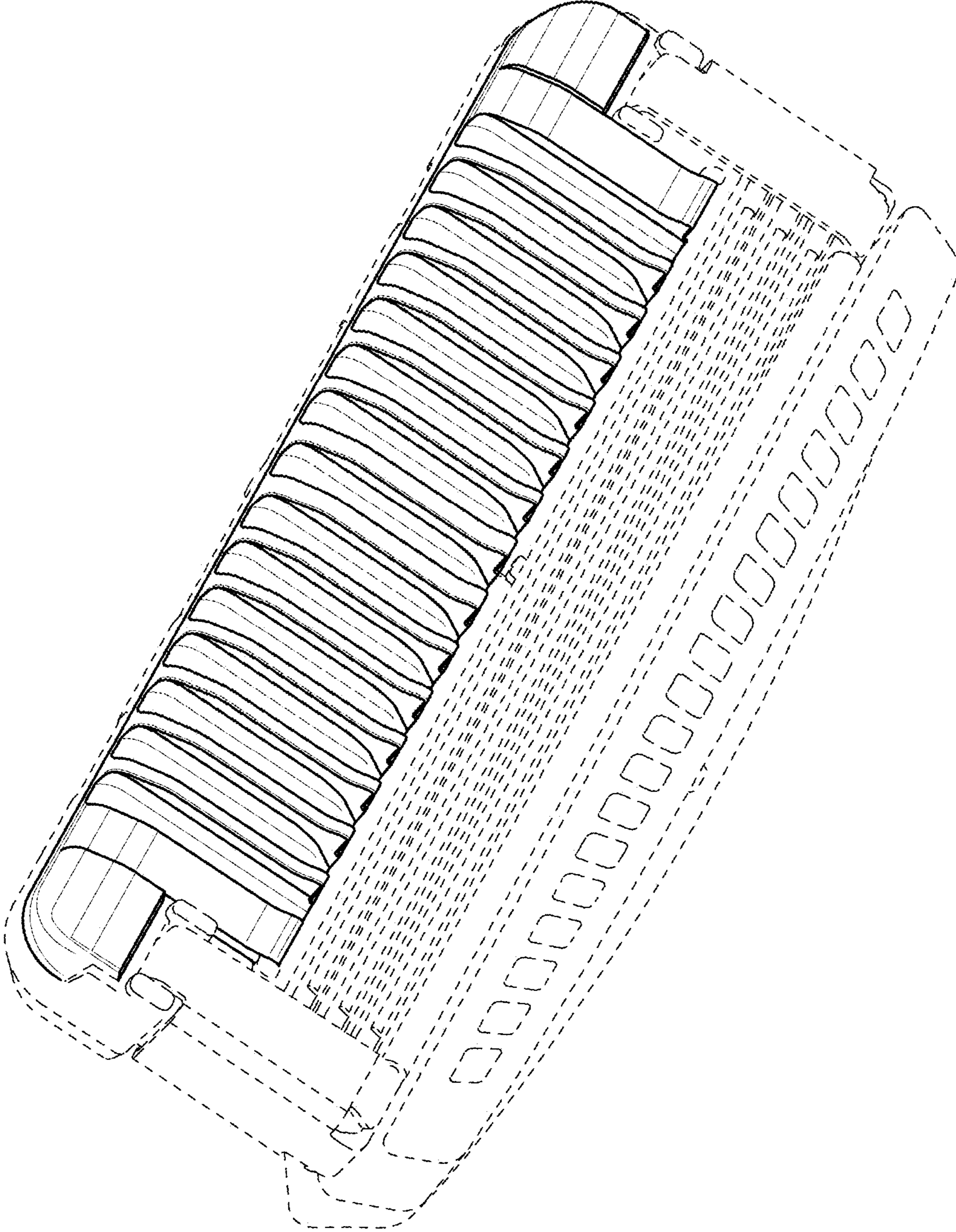


FIG. 2

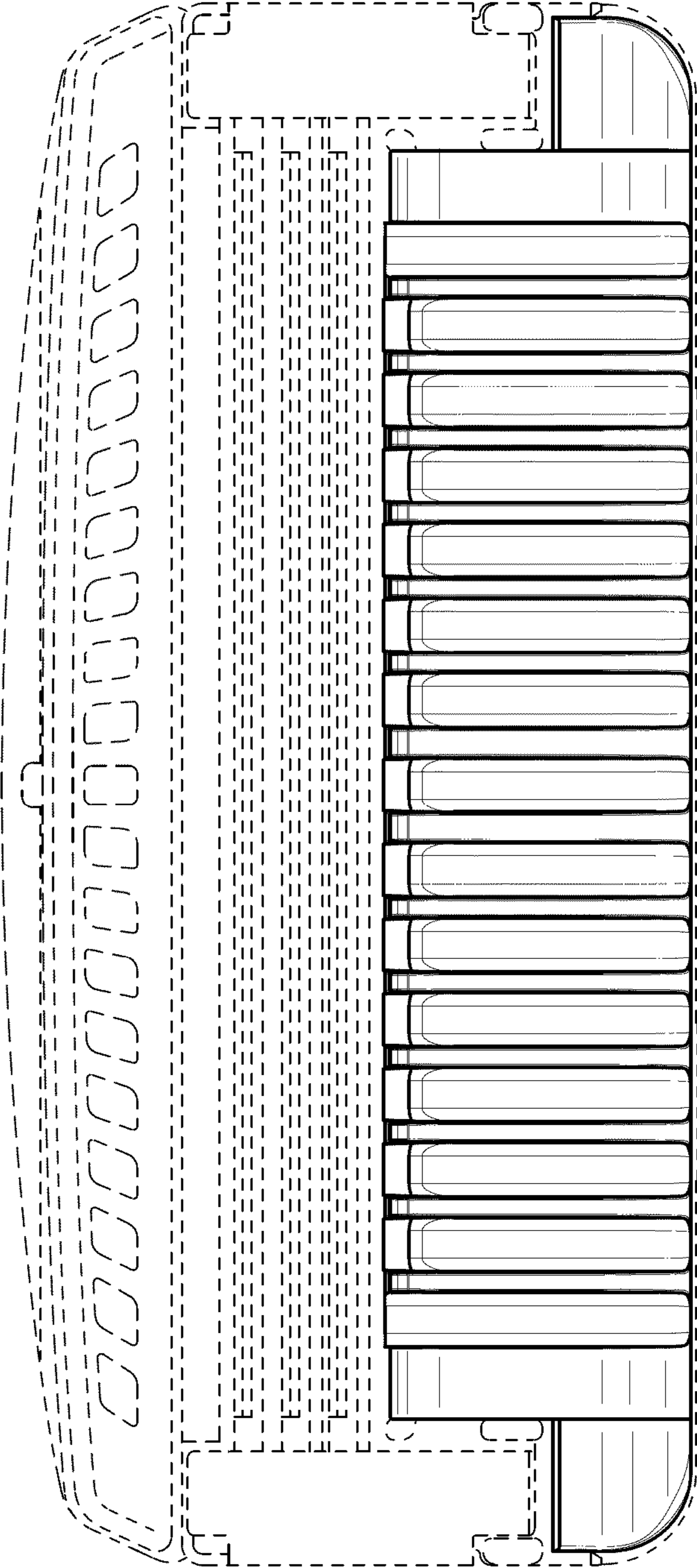


FIG. 3

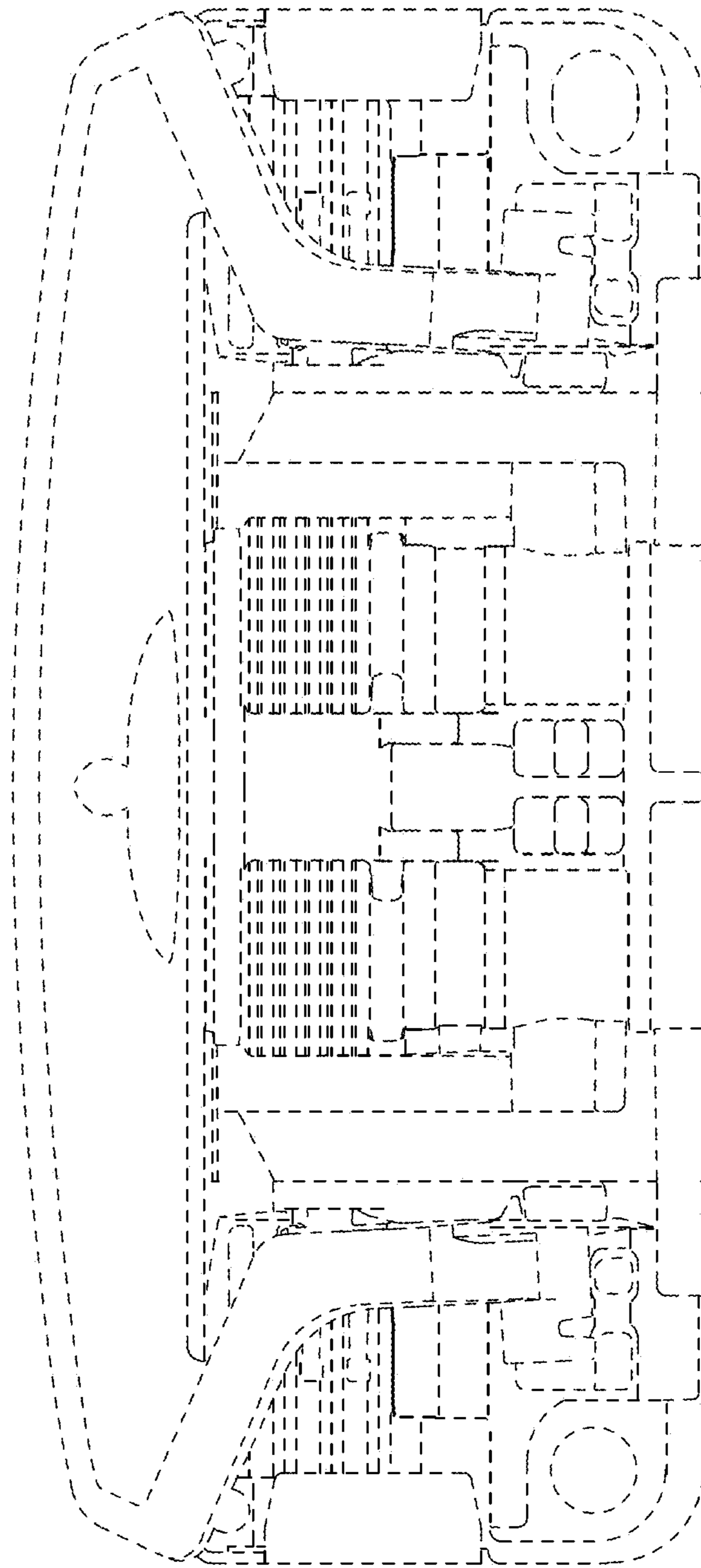


FIG. 4

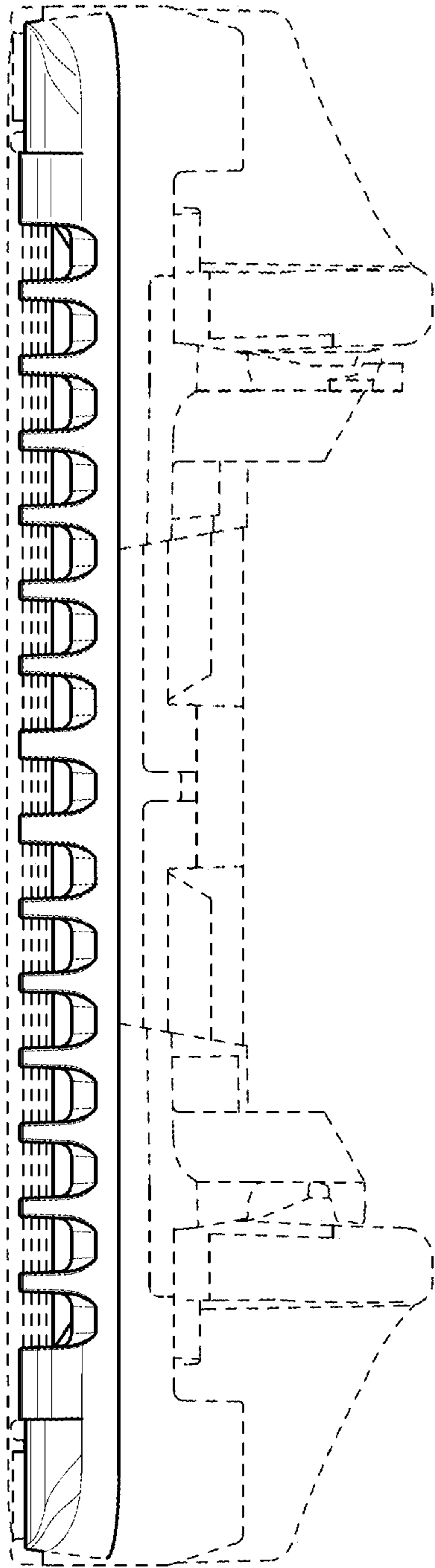


FIG. 5

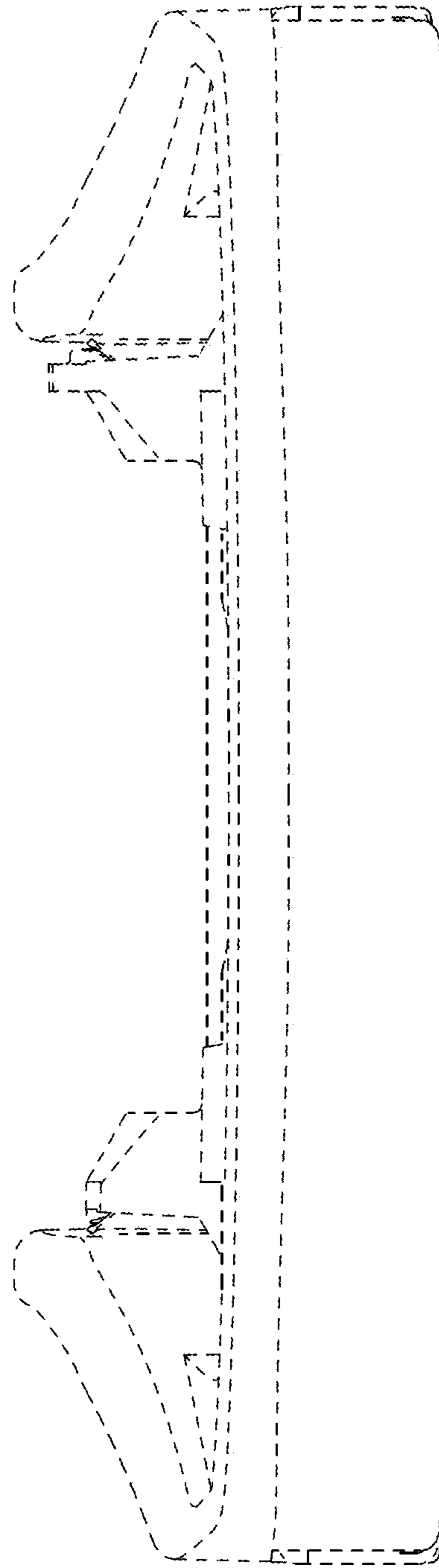


FIG. 6

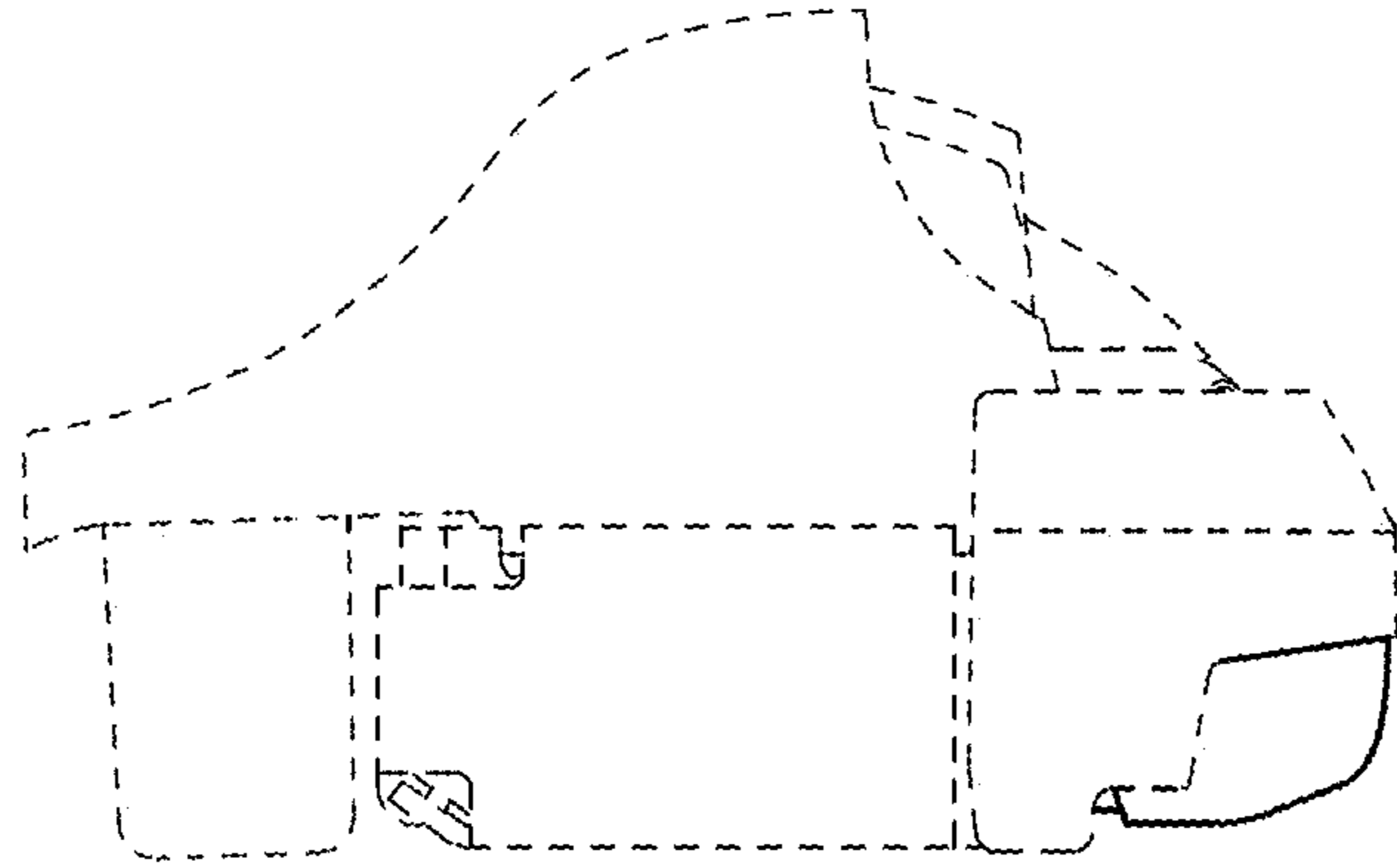


FIG. 8

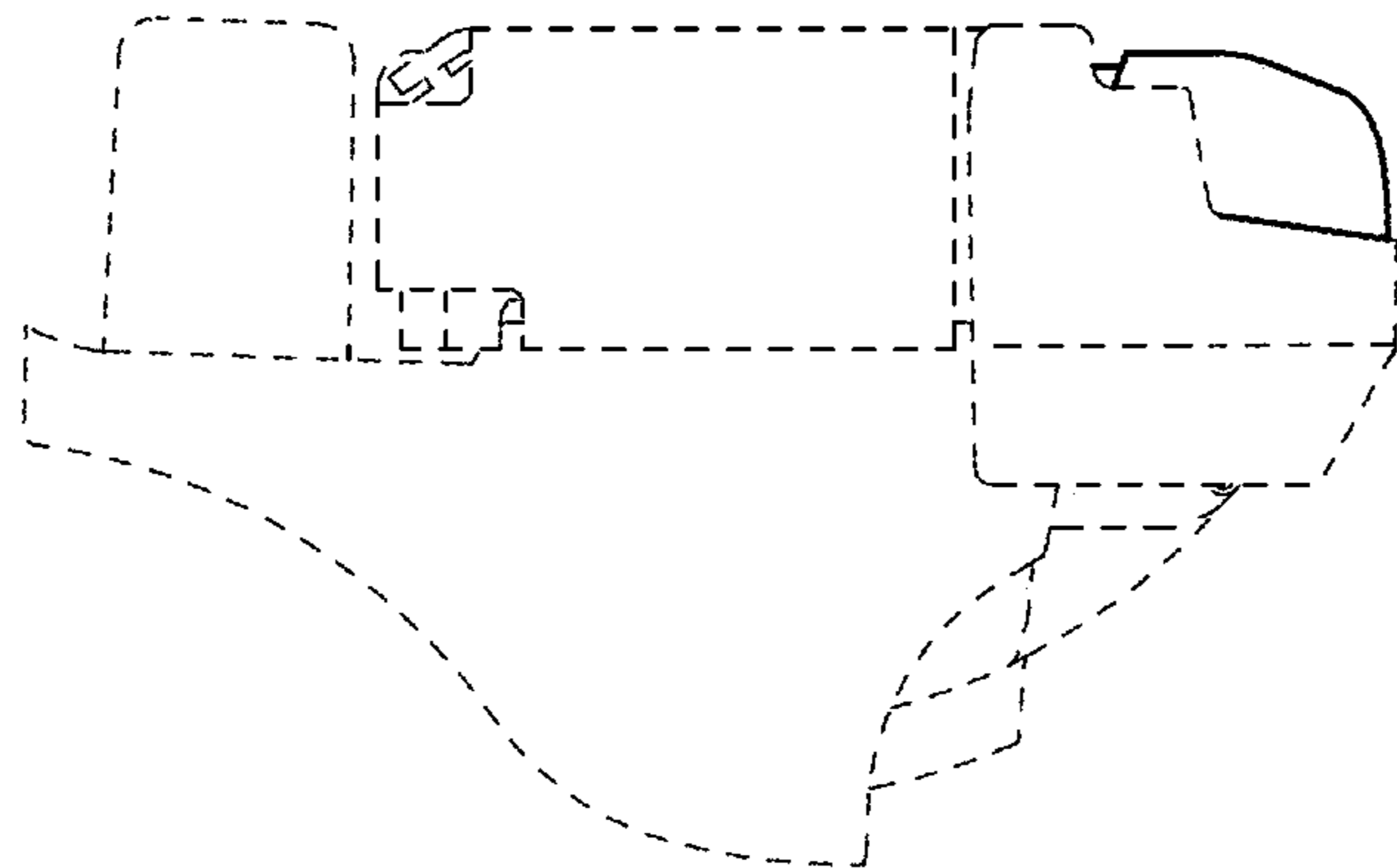


FIG. 7