



US00D947450S

(12) **United States Design Patent**
Chan et al.

(10) **Patent No.:** **US D947,450 S**
(45) **Date of Patent:** **** Mar. 29, 2022**

- (54) **WAX STRIP**
- (71) Applicant: **Harry's, Inc.**, New York, NY (US)
- (72) Inventors: **Natalie Chan**, Brooklyn, NY (US);
Whitney Schumacher, Brooklyn, NY (US)
- (73) Assignee: **Harry's Inc.**, New York, NY (US)
- (**) Term: **15 Years**
- (21) Appl. No.: **29/717,637**
- (22) Filed: **Dec. 18, 2019**
- (51) **LOC (13) Cl.** **28-03**
- (52) **U.S. Cl.**
USPC **D28/44.1**
- (58) **Field of Classification Search**
USPC D28/44, 44.1
CPC A45D 26/00; A45D 26/0014; A45D 26/0019; A45D 2026/008; A45D 2026/009; A45D 2200/1036; A61K 8/0208; A61K 8/92; A61K 8/922; A61K 8/925; A61K 8/927
See application file for complete search history.

D754,397	S *	4/2016	Wisse	D28/44.1
D861,249	S *	9/2019	Zaremba	D28/44.1
10,897,978	B2 *	1/2021	Wilder	B65D 5/4802
2009/0112231	A1 *	4/2009	Luizzi	A61Q 9/04 606/134
2011/0200652	A1 *	8/2011	Smith	A45D 26/0014 424/401
2013/0042419	A1	2/2013	Smith et al.		
2013/0150867	A1 *	6/2013	Atteia	A45D 26/0019 606/133

(Continued)

FOREIGN PATENT DOCUMENTS

EP	2559422	A1	2/2013
WO	2012020245	A1	2/2012

Primary Examiner — Jennifer Rivard
(74) *Attorney, Agent, or Firm* — Florek & Endres PLLC

(57) **CLAIM**

We claim the ornamental design for a wax strip, as shown and described.

DESCRIPTION

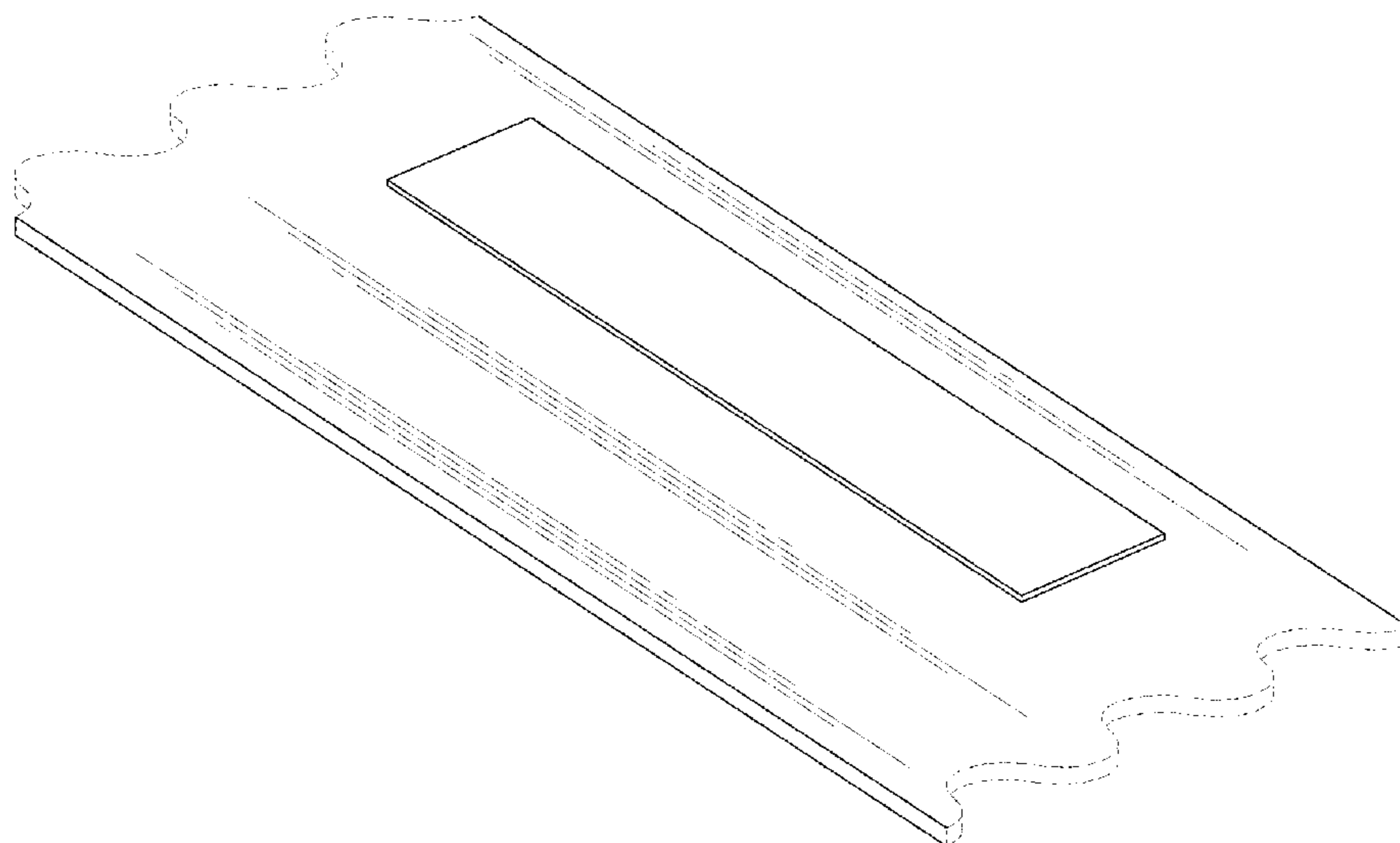
FIG. 1 is a perspective view of the wax strip of the present invention.
 FIG. 2 is a top plan view of the wax strip of the present invention.
 FIG. 3 is a bottom plan view of the wax strip of the present invention.
 FIG. 4 is a rear elevation of the wax strip of the present invention.
 FIG. 5 is a front elevation of the wax strip of the present invention.
 FIG. 6 is a right side elevation of the wax strip of the present invention; and,
 FIG. 7 is a left side elevation of the wax strip of the present invention.
 The broken lines illustrate portions of the wax strip that form no part of the claimed design.

1 Claim, 5 Drawing Sheets

(56) **References Cited**

U.S. PATENT DOCUMENTS

2,377,774	A *	6/1945	Gotham	A45D 26/00 8/160
2,425,696	A *	8/1947	Herrmann	A61K 8/922 8/160
2,954,324	A *	9/1960	Brummer	A61K 8/365 606/134
3,808,637	A *	5/1974	Lapidus	A61Q 9/04 8/160
D303,175	S *	9/1989	Wilson	D2/862
D382,911	S *	8/1997	Magner	D20/22
6,027,513	A *	2/2000	Massana Florensa	A45D 26/0014 606/134
D672,919	S *	12/2012	Campbell	D28/44.1



(56)

References Cited

U.S. PATENT DOCUMENTS

2013/0204274 A1* 8/2013 Campbell A45D 26/0014
606/133
2014/0350575 A1* 11/2014 DiSotto A45D 26/0014
606/134
2015/0374091 A1* 12/2015 Ismiel-Nash A61K 8/0208
606/134
2017/0208916 A1* 7/2017 Djadar A45D 26/0019

* cited by examiner

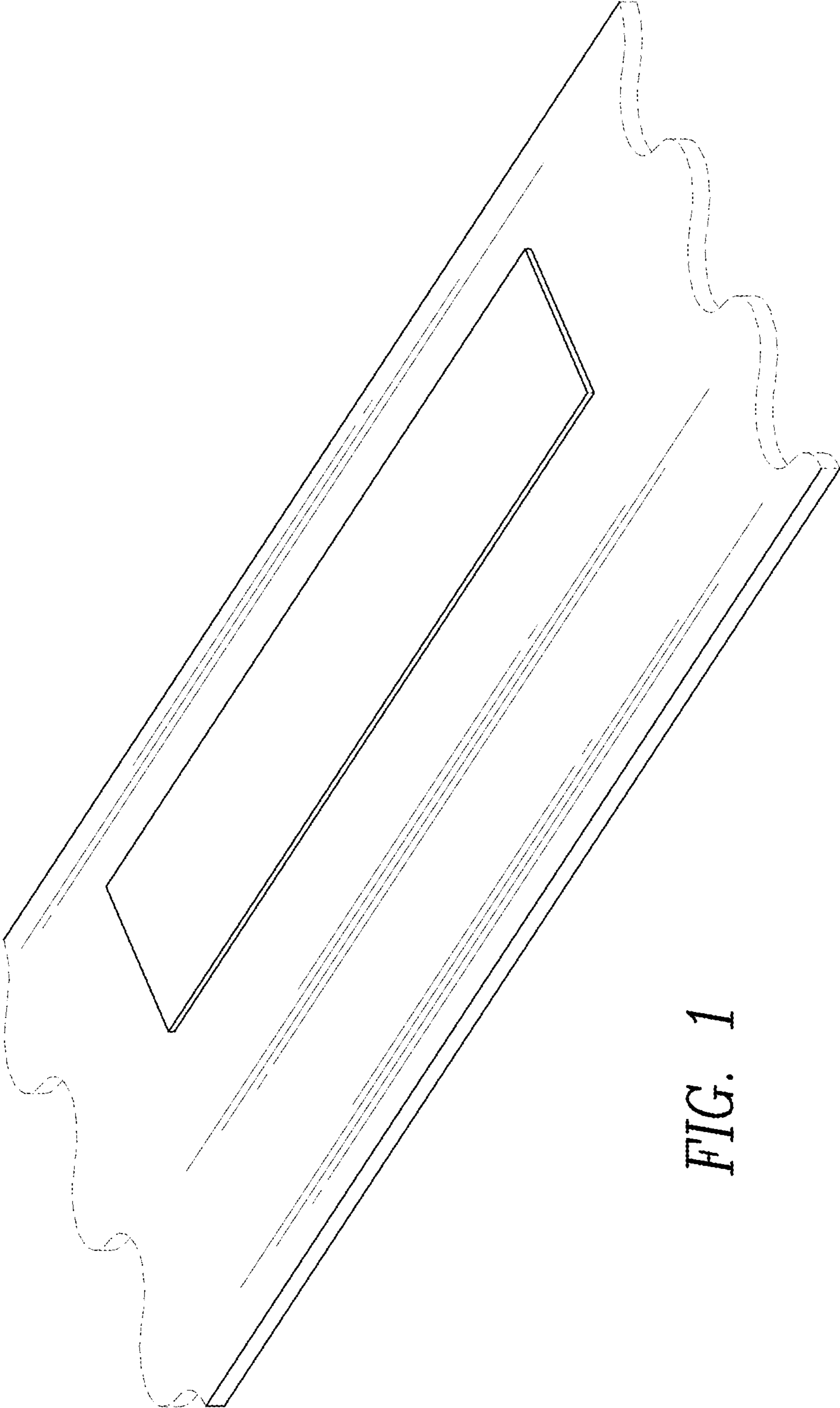


FIG. 1

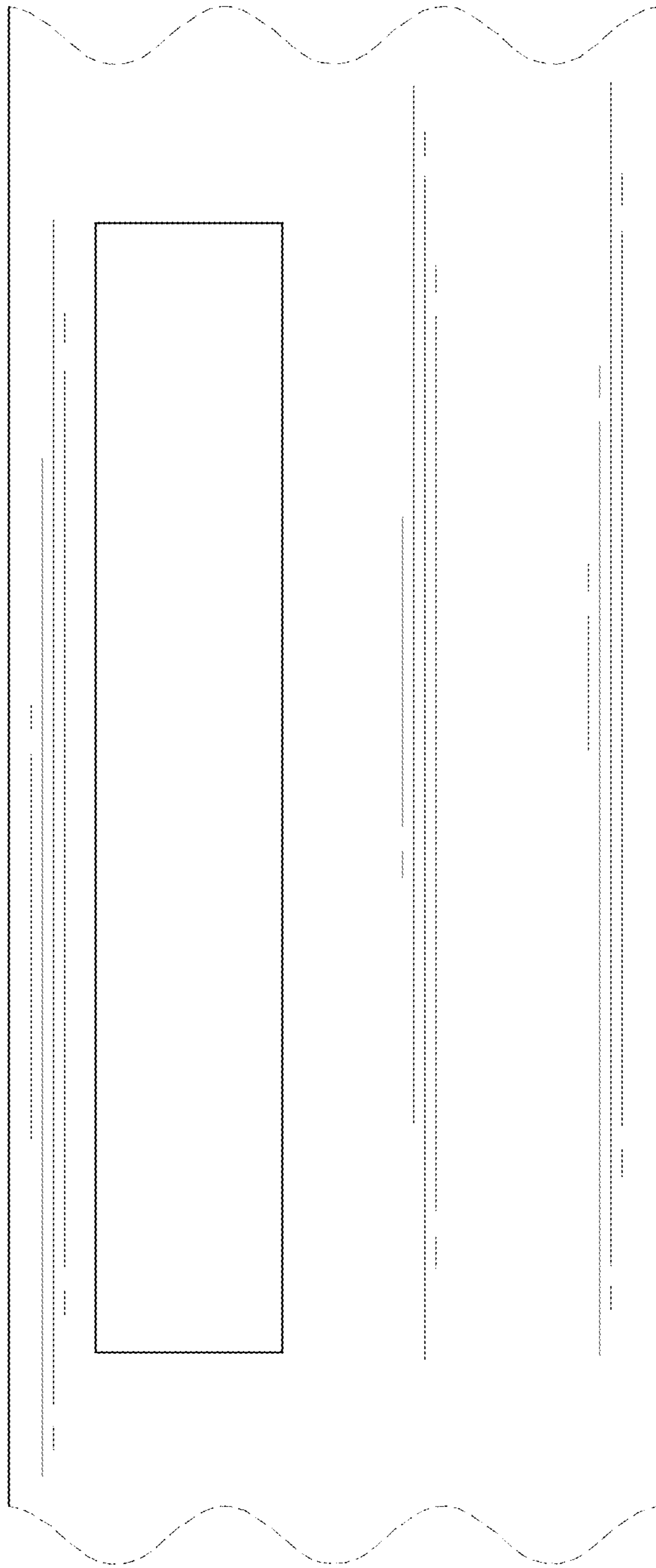


FIG. 2

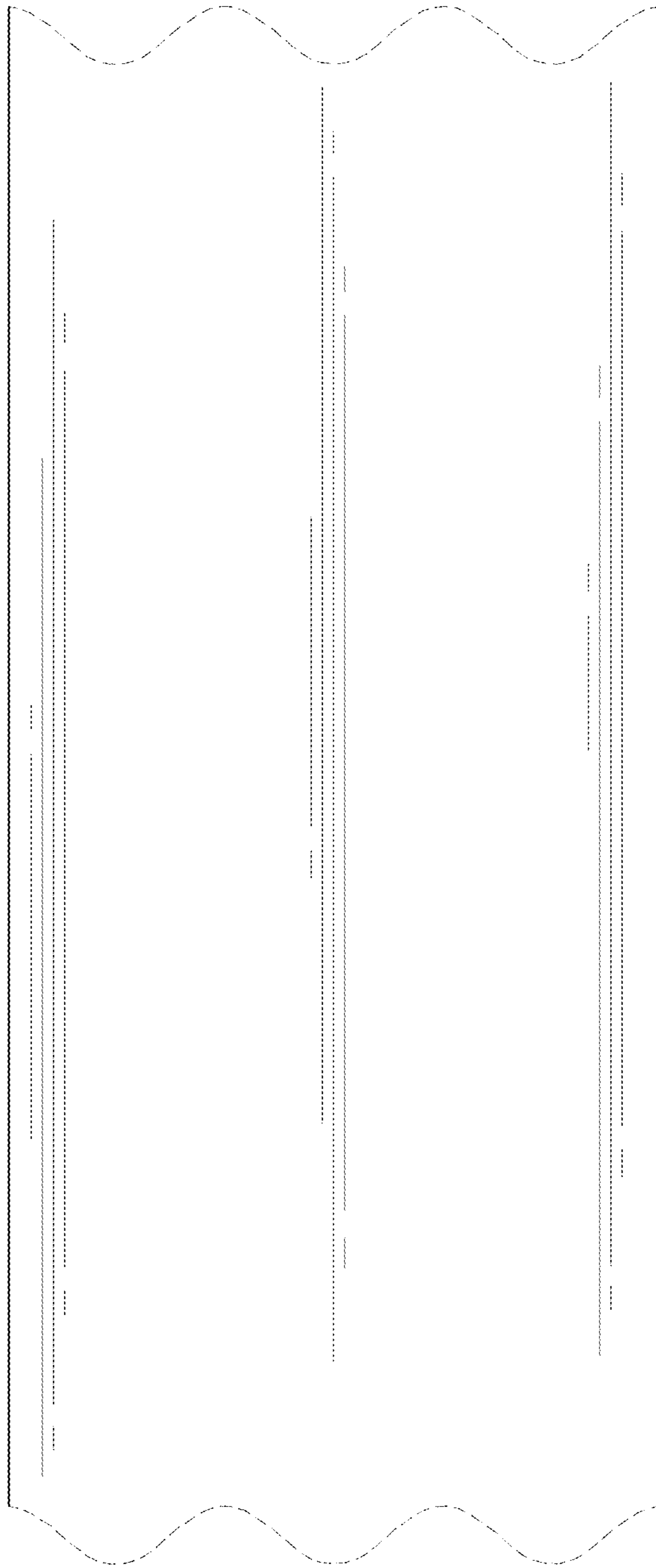


FIG. 3



FIG. 4



FIG. 5

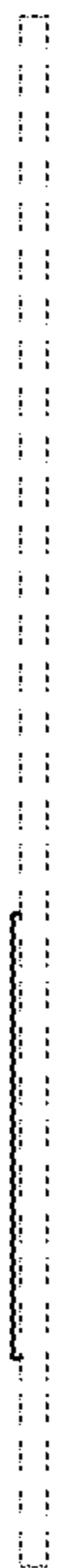


FIG. 6

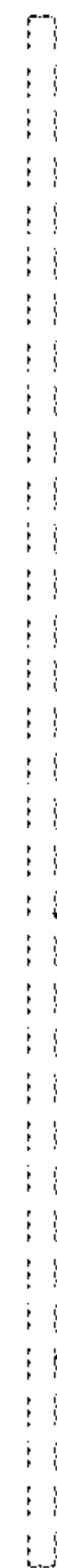


FIG. 7