



US00D947448S

(12) **United States Design Patent**  
**van Meter**

(10) **Patent No.:** **US D947,448 S**

(45) **Date of Patent:** **\*\* Mar. 29, 2022**

- (54) **SHAMPOOING NECK CRADLE**
- (71) Applicant: **Erin Lynn van Meter**, Plymouth, MN  
(US)
- (72) Inventor: **Erin Lynn van Meter**, Plymouth, MN  
(US)
- (\*\*) Term: **15 Years**
- (21) Appl. No.: **29/724,965**
- (22) Filed: **Feb. 20, 2020**
- (51) **LOC (13) Cl.** ..... **28-01**
- (52) **U.S. Cl.**  
USPC ..... **D28/20**
- (58) **Field of Classification Search**  
USPC ..... D28/20; D6/596, 601  
CPC ..... A45D 19/02; A45D 19/04; A45D 19/06;  
A45D 19/08; A45D 19/10  
See application file for complete search history.

(56) **References Cited**

**U.S. PATENT DOCUMENTS**

416,489 A	12/1889	Parrish
2,351,849 A	6/1944	Wells et al.
2,425,513 A	8/1947	Czajcinski et al.
2,475,259 A	7/1949	Singleton
2,531,724 A	11/1950	Cevasco
2,818,585 A	1/1958	Campbell
3,449,771 A	6/1969	Watson
3,545,012 A	12/1970	Espin

3,633,222 A	1/1972	Greenfield	
D228,695 S *	10/1973	Vora	D28/20
D272,860 S *	2/1984	Swatzell	D28/20
4,754,503 A	7/1988	Martin	
D333,884 S *	3/1993	Colett	D28/20
D376,034 S *	11/1996	Willis	D28/20
D456,944 S *	5/2002	Carlquist	D28/20
D621,093 S *	8/2010	Jenkins	D28/20
D871,108 S *	12/2019	Yang	D6/601
D881,602 S *	4/2020	Yang	D6/601

\* cited by examiner

*Primary Examiner* — Zenia I Bennett

(74) *Attorney, Agent, or Firm* — Louis Ventre, Jr.

(57) **CLAIM**

The ornamental design for a shampooing neck cradle, as shown and described.

**DESCRIPTION**

FIG. 1 is a top perspective view from the right side of the head end of the shampooing neck cradle showing my new design;

FIG. 2 is a top perspective view from the left side of the head-end thereof;

FIG. 3 is a bottom perspective view of thereof;

FIG. 4 is a top plan view thereof;

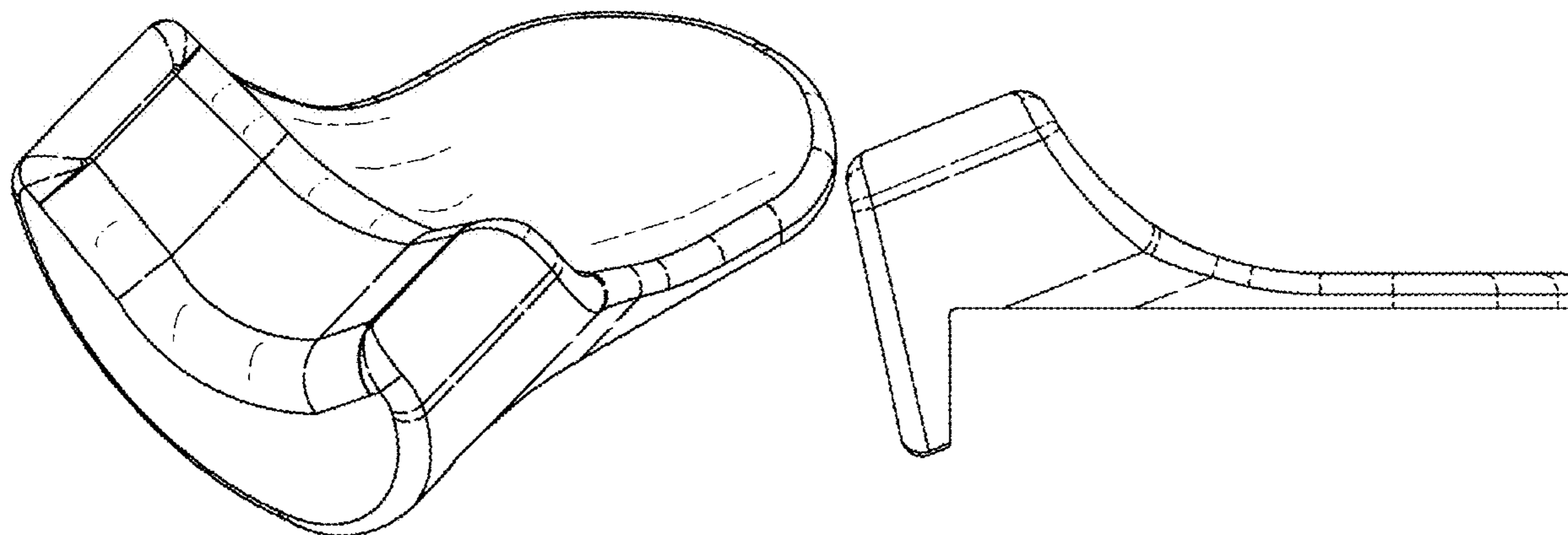
FIG. 5 is a bottom plan view thereof;

FIG. 6 is a head-end elevation view thereof;

FIG. 7 is a toe-end elevation view thereof; and,

FIG. 8 is a left-side elevation view thereof.

**1 Claim, 7 Drawing Sheets**



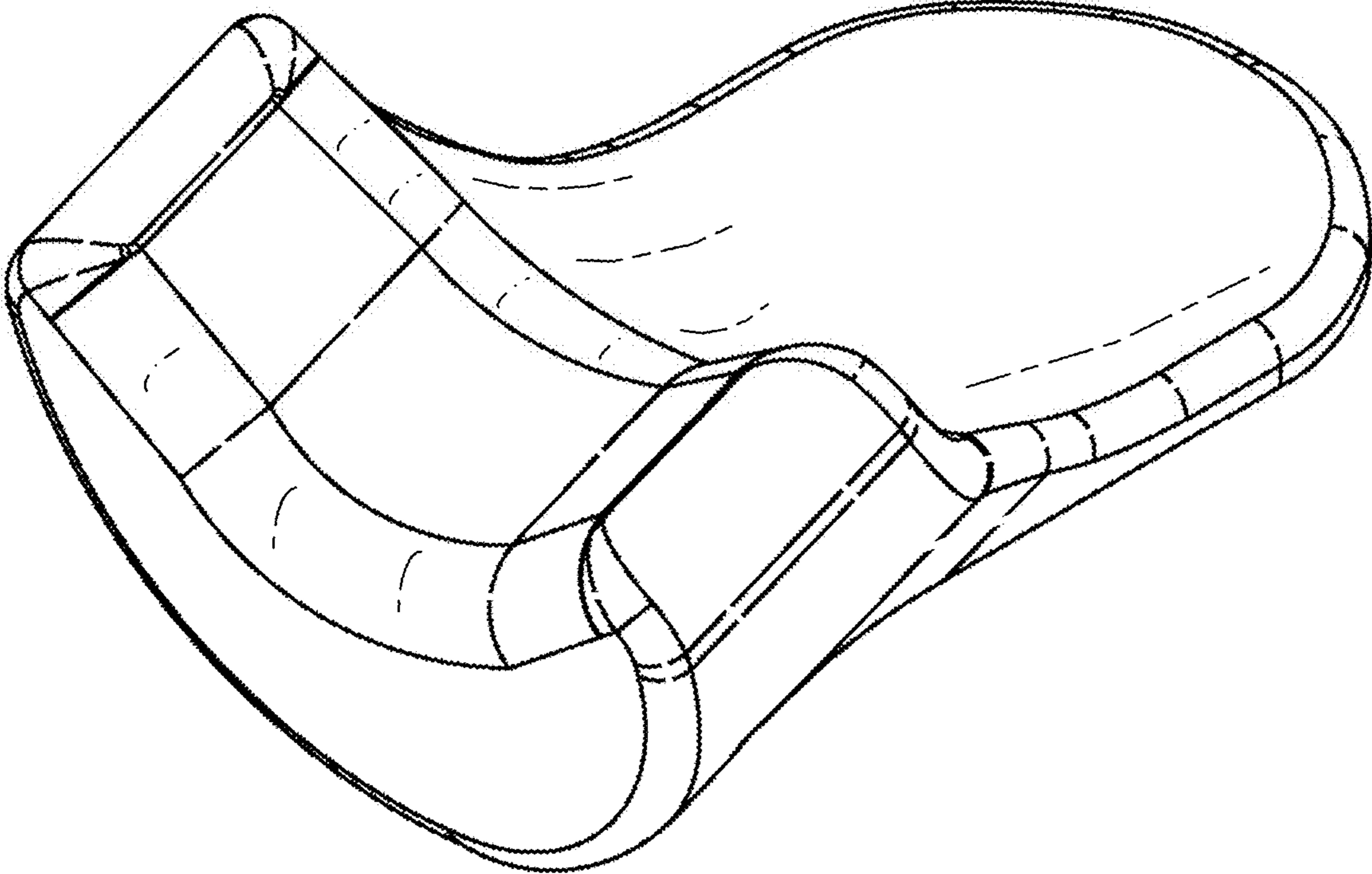


FIG.1

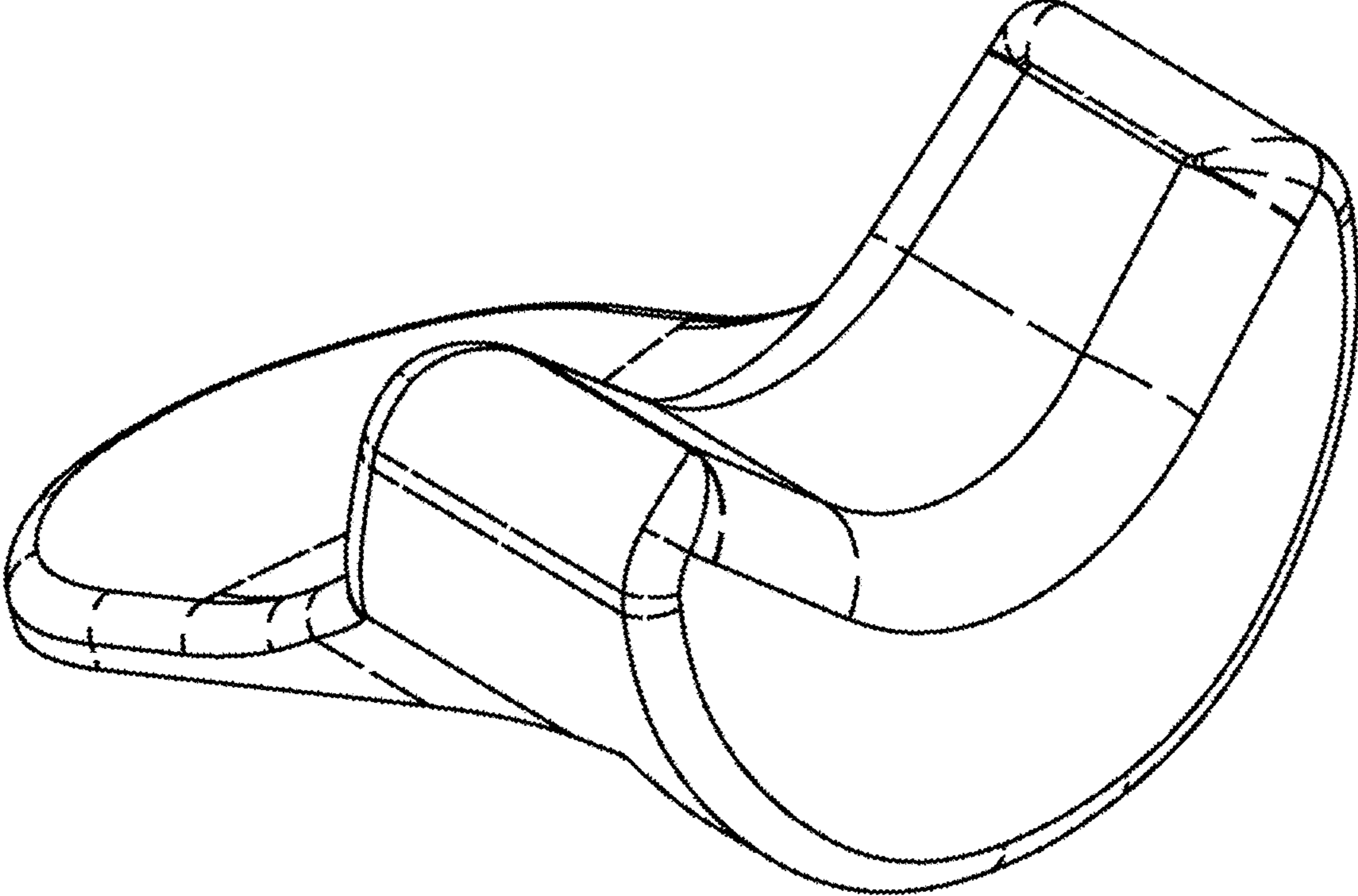


FIG.2

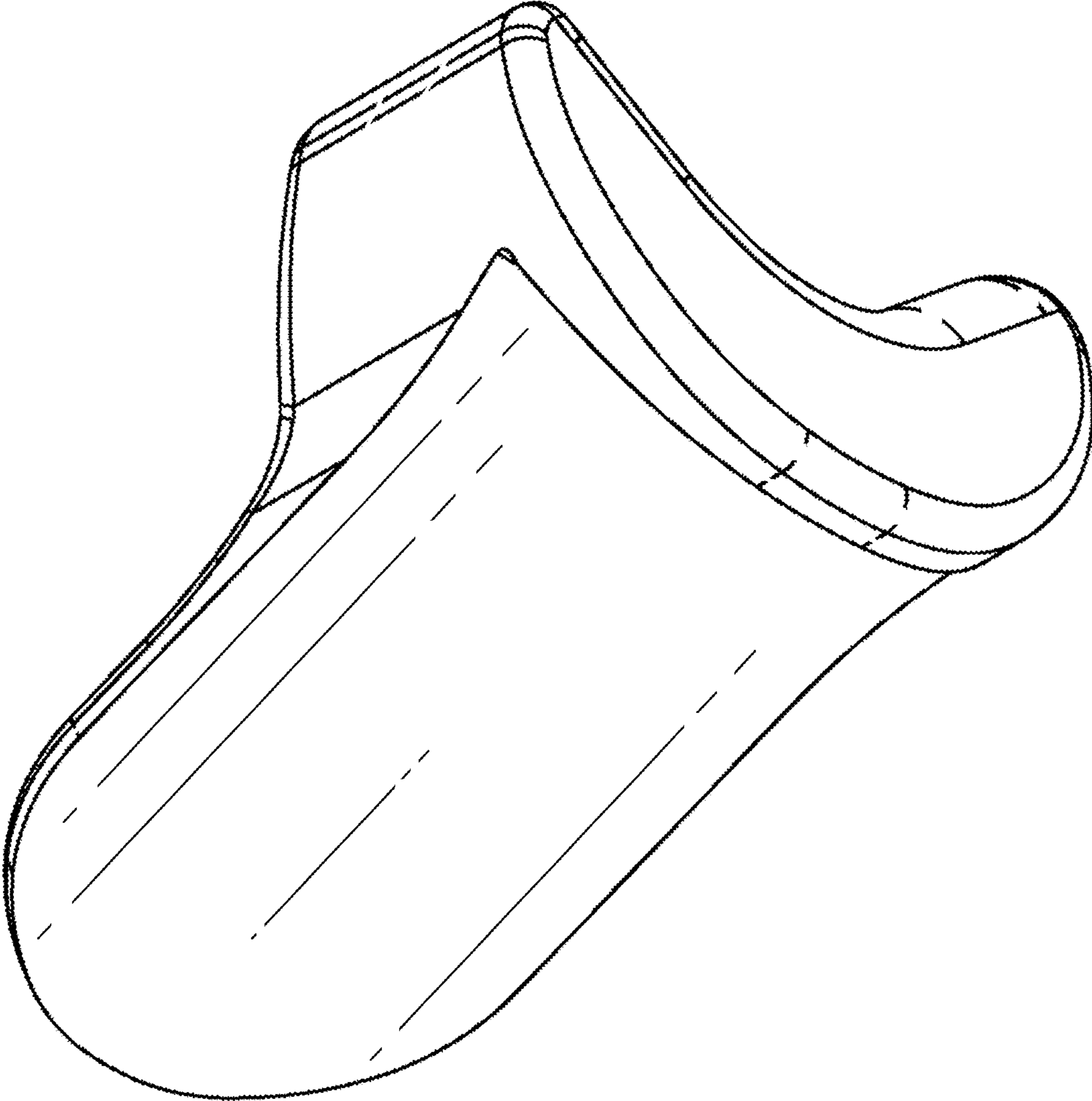


FIG.3

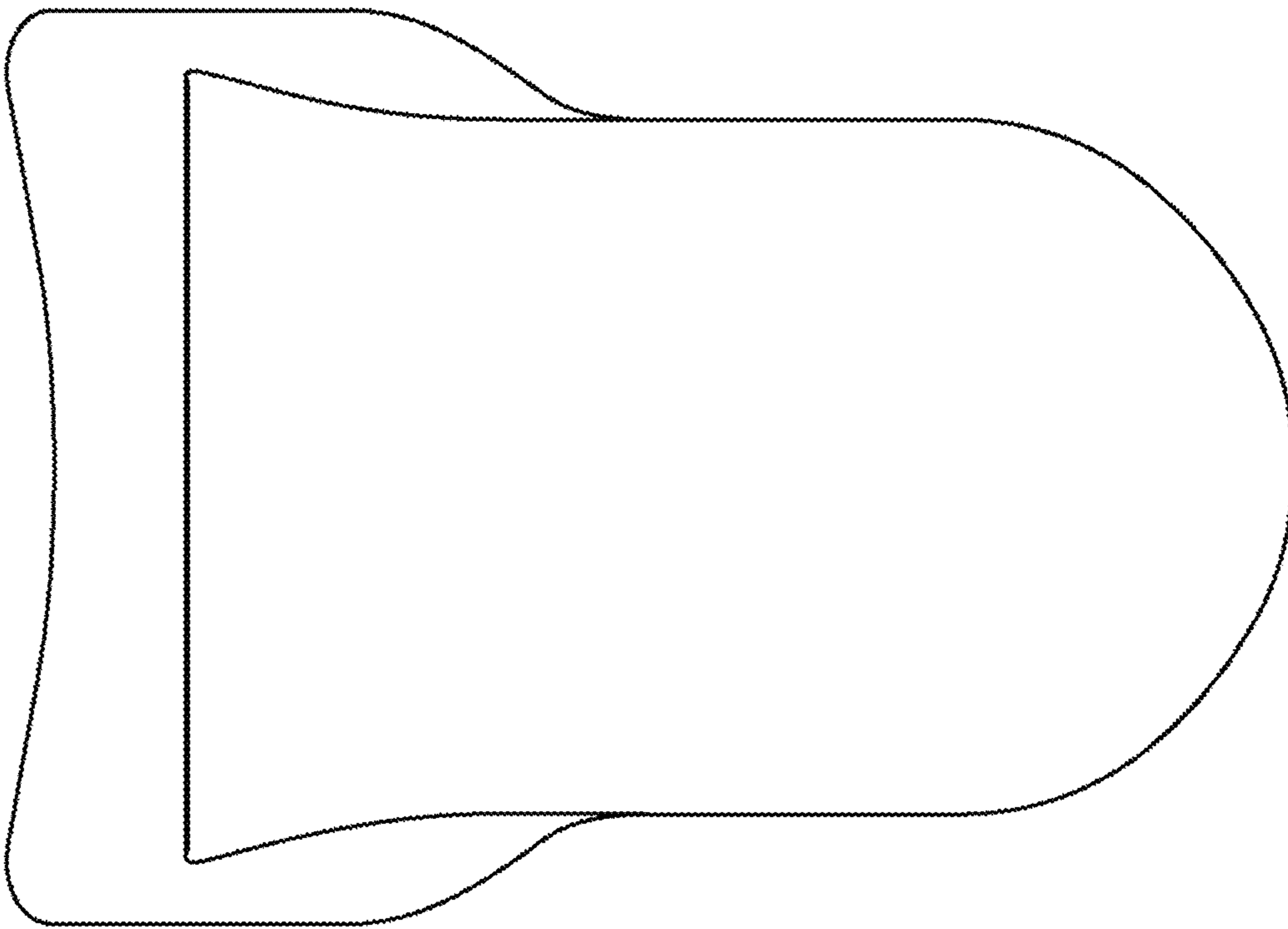


FIG.4

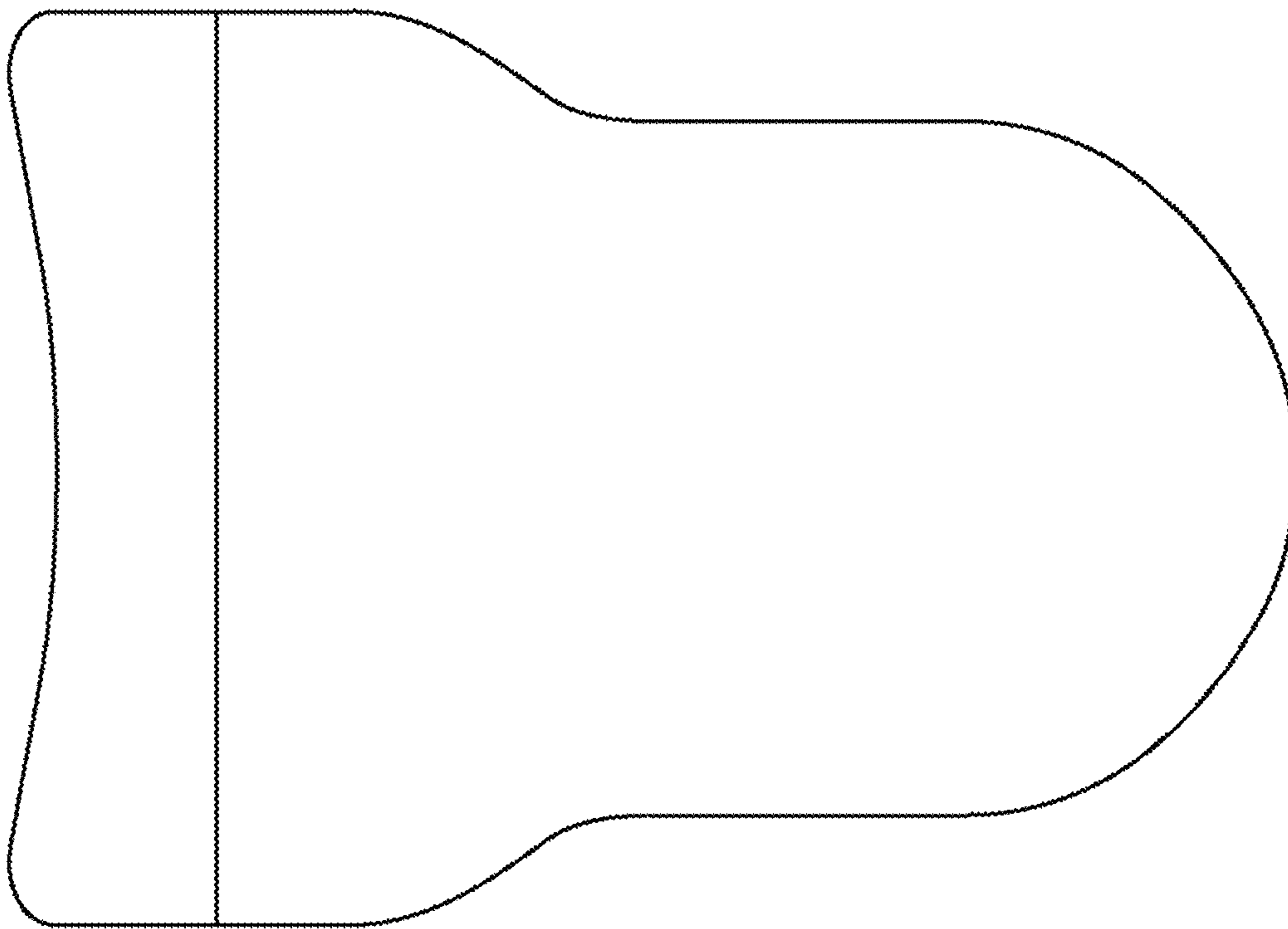


FIG.5

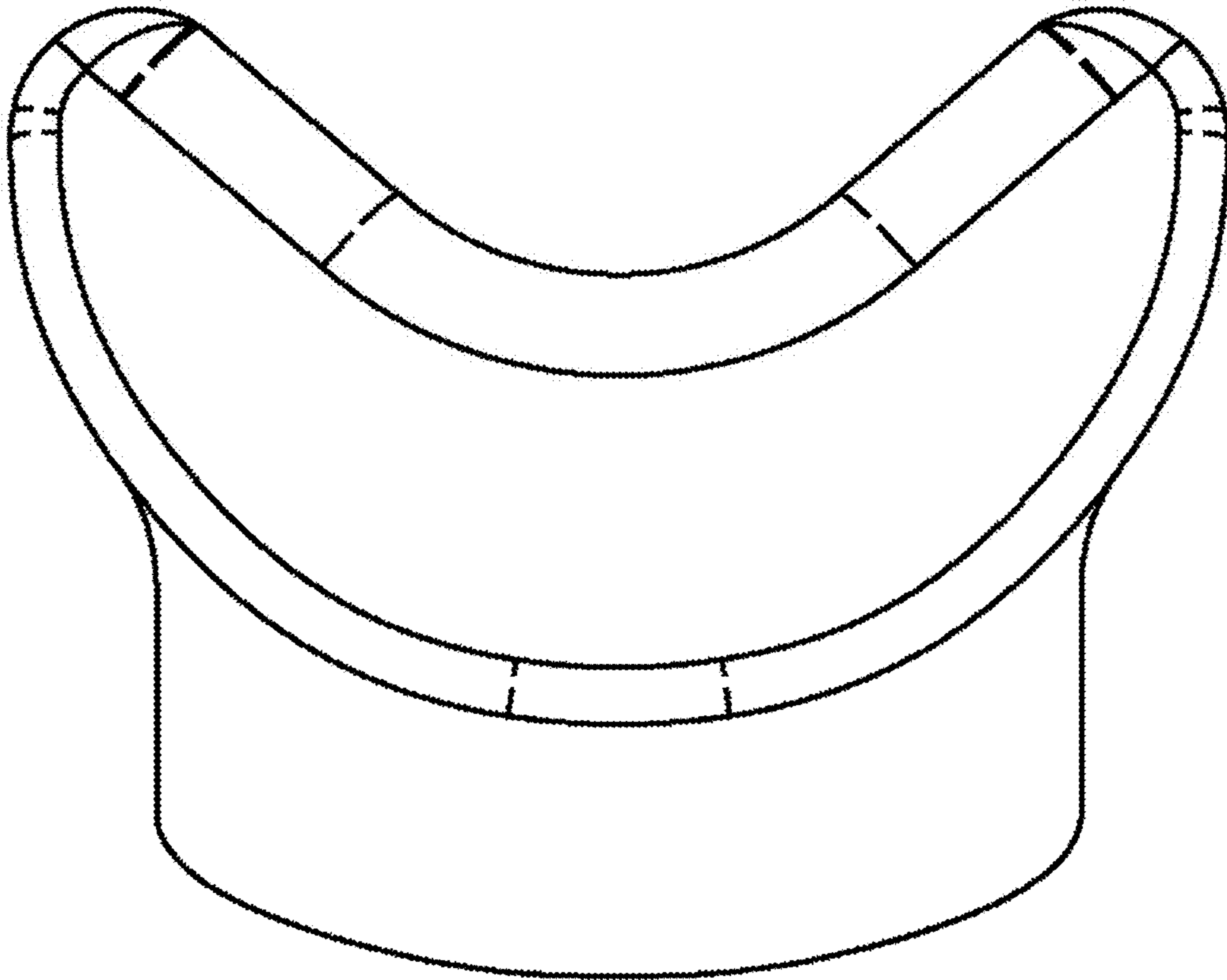


FIG. 6

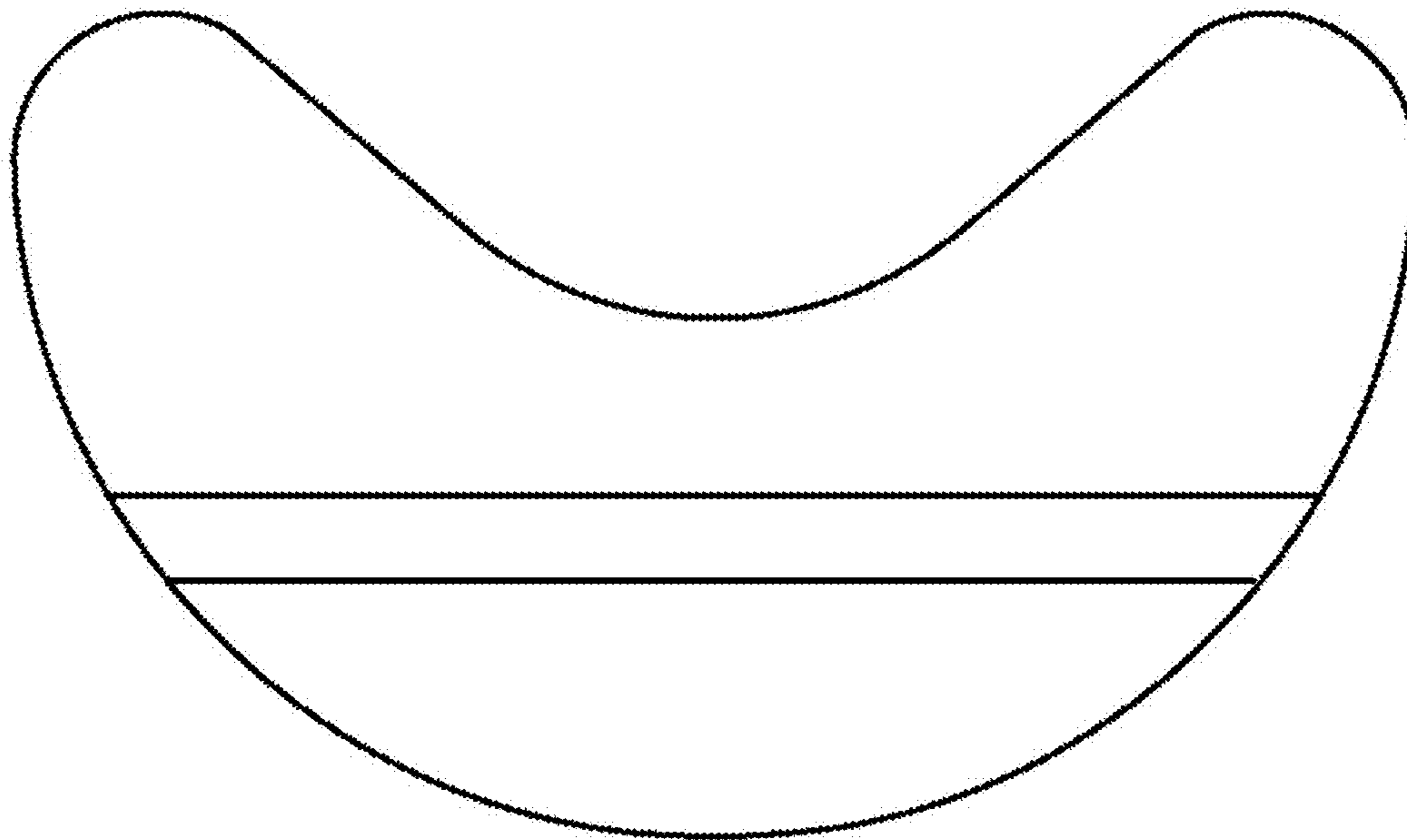


FIG. 7

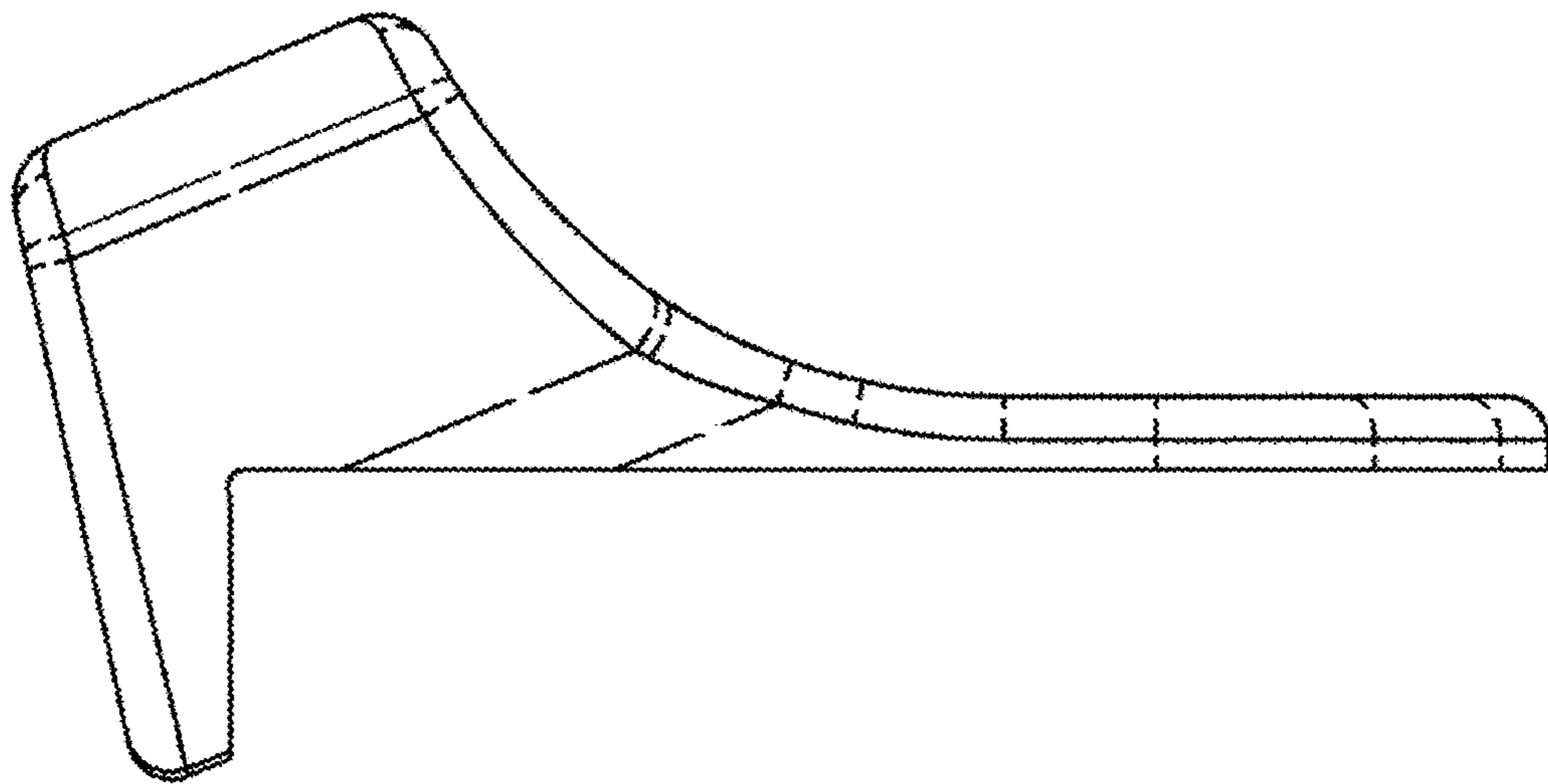


FIG.8