

US00D947446S

(12) **United States Design Patent** (10) **Patent No.:** **US D947,446 S**
Hearn et al. (45) **Date of Patent:** **** Mar. 29, 2022**

(54) **CONTAINER**
(71) Applicant: **SENZER LIMITED**, London (GB)
(72) Inventors: **Alex Hearn**, London (GB); **Paul Young**, Essex (GB); **Guillaume Parrin**, West Sussex (GB)
(73) Assignee: **SENZER LIMITED**, London (GB)
(**) Term: **15 Years**
(21) Appl. No.: **29/666,005**
(22) Filed: **Oct. 9, 2018**
(51) **LOC (13) Cl.** **27-02**
(52) **U.S. Cl.**
USPC **D27/162**
(58) **Field of Classification Search**
USPC D27/162-165, 172, 174, 175, 176, 183, D27/185-194; D24/110, 100.5
CPC A61M 11/02; A61M 15/0025; A61M 15/0093; A61M 15/06; A61M 2209/045; A24F 42/20; A24F 42/60; A24F 15/015
See application file for complete search history.

D806,311 S * 12/2017 Smith D27/162
D842,243 S * 3/2019 Qiu D13/108
D843,052 S * 3/2019 Powell D27/163
D853,022 S * 7/2019 Srour D27/183
D854,741 S * 7/2019 Smith D27/162
D860,523 S * 9/2019 Cheung D27/186
D869,086 S * 12/2019 Pan D27/162
D870,960 S * 12/2019 Luxton D27/162
D876,008 S * 2/2020 Cheung D27/186
D885,332 S * 5/2020 Han D13/108
D888,934 S * 6/2020 Nguyen D24/110
D889,740 S * 7/2020 Beer D27/194
D898,280 S * 10/2020 Li D27/162
D898,990 S * 10/2020 Liu D27/162
D898,991 S * 10/2020 Pan D27/162
D901,072 S * 11/2020 Goradesky A24F 1/28
D905,901 S * 12/2020 Kim D27/162

(Continued)

Primary Examiner — Nathan M Johnston
(74) *Attorney, Agent, or Firm* — Patterson & Sheridan, L.L.P.

(57) **CLAIM**

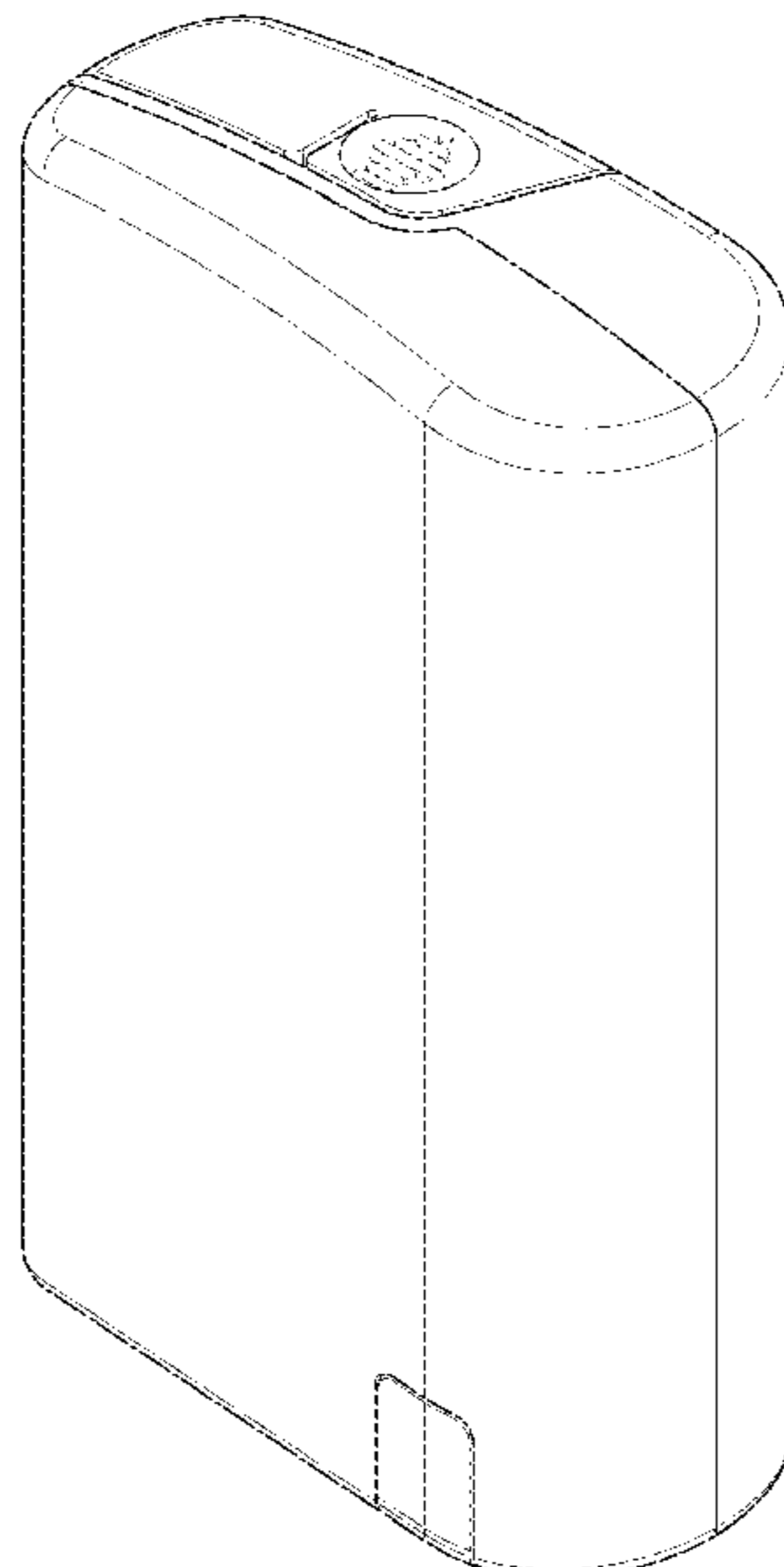
The ornamental design for a container, as shown and described.

DESCRIPTION

FIG. 1 is a top-front perspective view of a container showing our new design;
FIG. 2 is a top-rear perspective view thereof;
FIG. 3 is a bottom-front perspective view thereof;
FIG. 4 is a bottom-rear perspective view thereof;
FIG. 5 is a front elevational view thereof;
FIG. 6 is a rear elevational view thereof;
FIG. 7 is a bottom plan view thereof;
FIG. 8 is a right side elevational view thereof; and,
FIG. 9 is a left side elevational view thereof.
The portions of the container shown in dashed lines form no part of the claimed design.

1 Claim, 9 Drawing Sheets

(56) **References Cited**
U.S. PATENT DOCUMENTS
D424,236 S * 5/2000 Reed D27/163
D613,903 S * 4/2010 Wu D27/189
D656,094 S * 3/2012 Wu D27/189
D677,000 S * 2/2013 Liu D27/189
D683,898 S * 6/2013 Liu D27/189
D683,899 S * 6/2013 Liu D27/189
D688,418 S * 8/2013 Liu D27/189
D700,994 S * 3/2014 Alarcon D27/189
D748,325 S * 1/2016 Leidel D27/163
D752,286 S * 3/2016 Doster D27/189
D770,678 S * 11/2016 Shin D27/163
D772,477 S * 11/2016 Shin D27/163
D788,364 S * 5/2017 Chen D27/163



(56)

References Cited

U.S. PATENT DOCUMENTS

D910,234 S *	2/2021	Sun	D27/162
D911,599 S *	2/2021	Sun	D27/162
D921,981 S *	6/2021	Sudlow	D27/194
D924,472 S *	7/2021	Powell	D27/162
D924,473 S *	7/2021	Powell	D27/162
D927,053 S *	8/2021	Liu	D27/162
D927,054 S *	8/2021	Liu	D27/162
D928,393 S *	8/2021	Powell	D27/162
2021/0161213 A1 *	6/2021	Woodbine	A61M 11/042

* cited by examiner

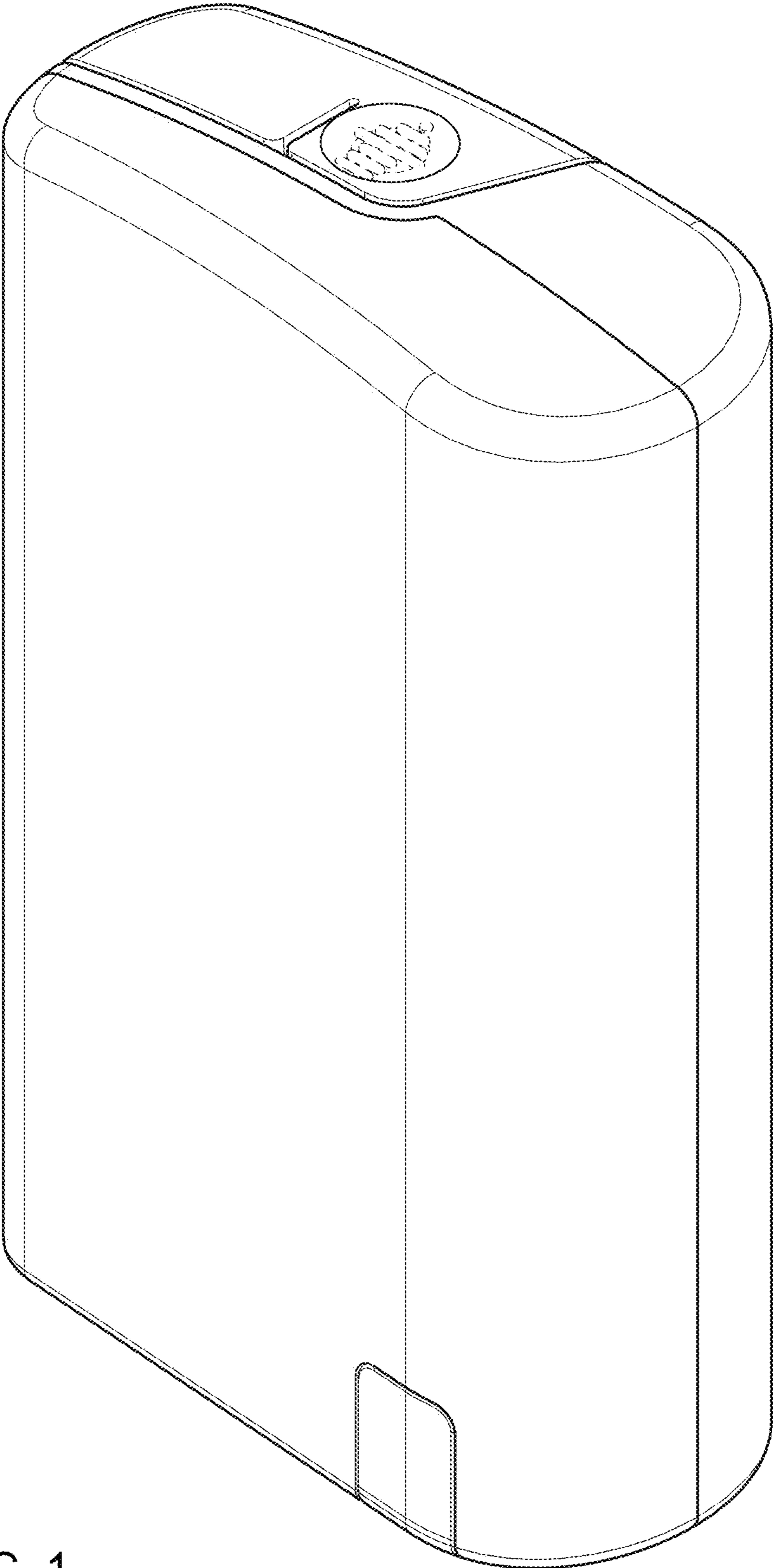


FIG. 1

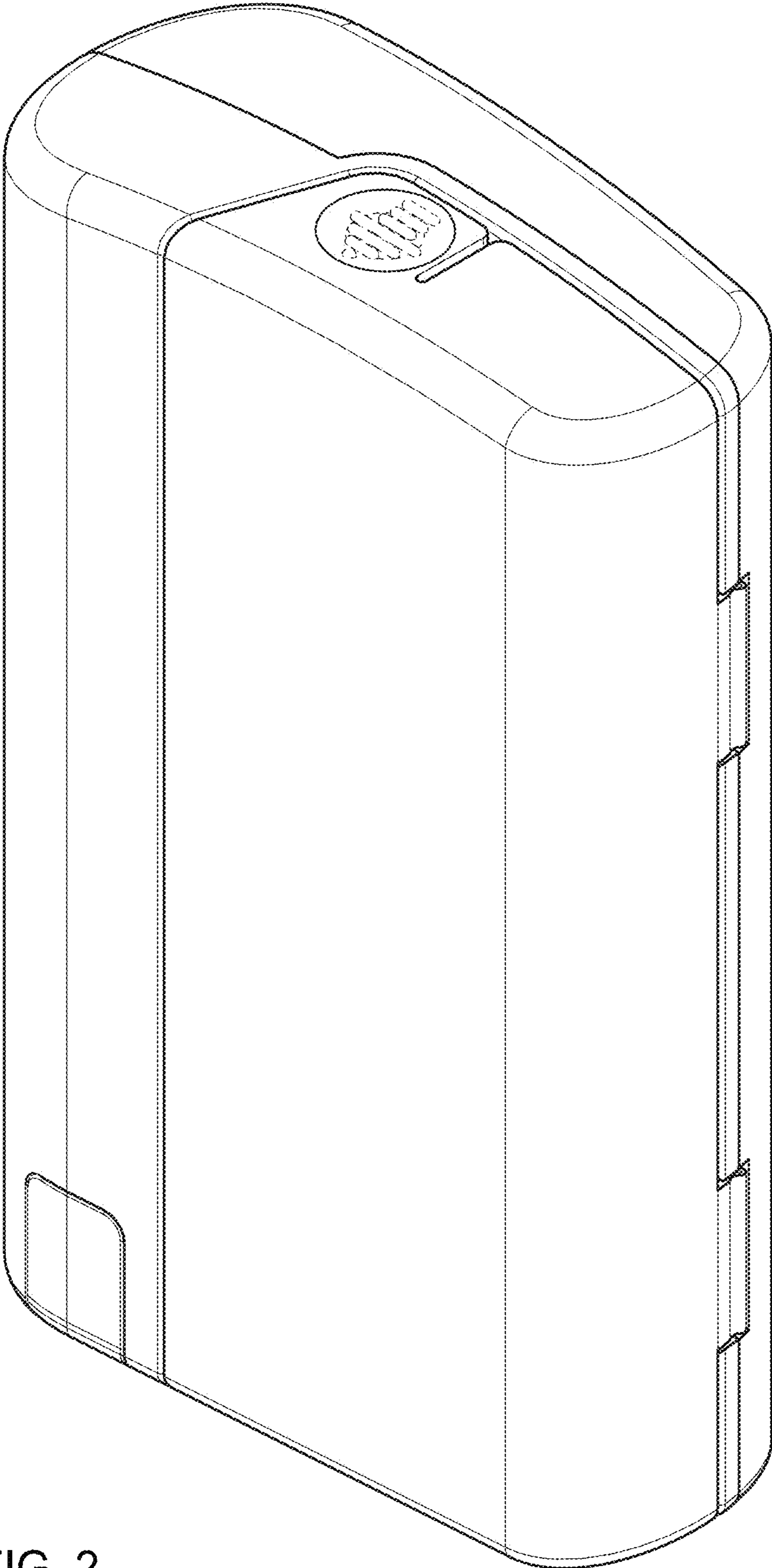


FIG. 2

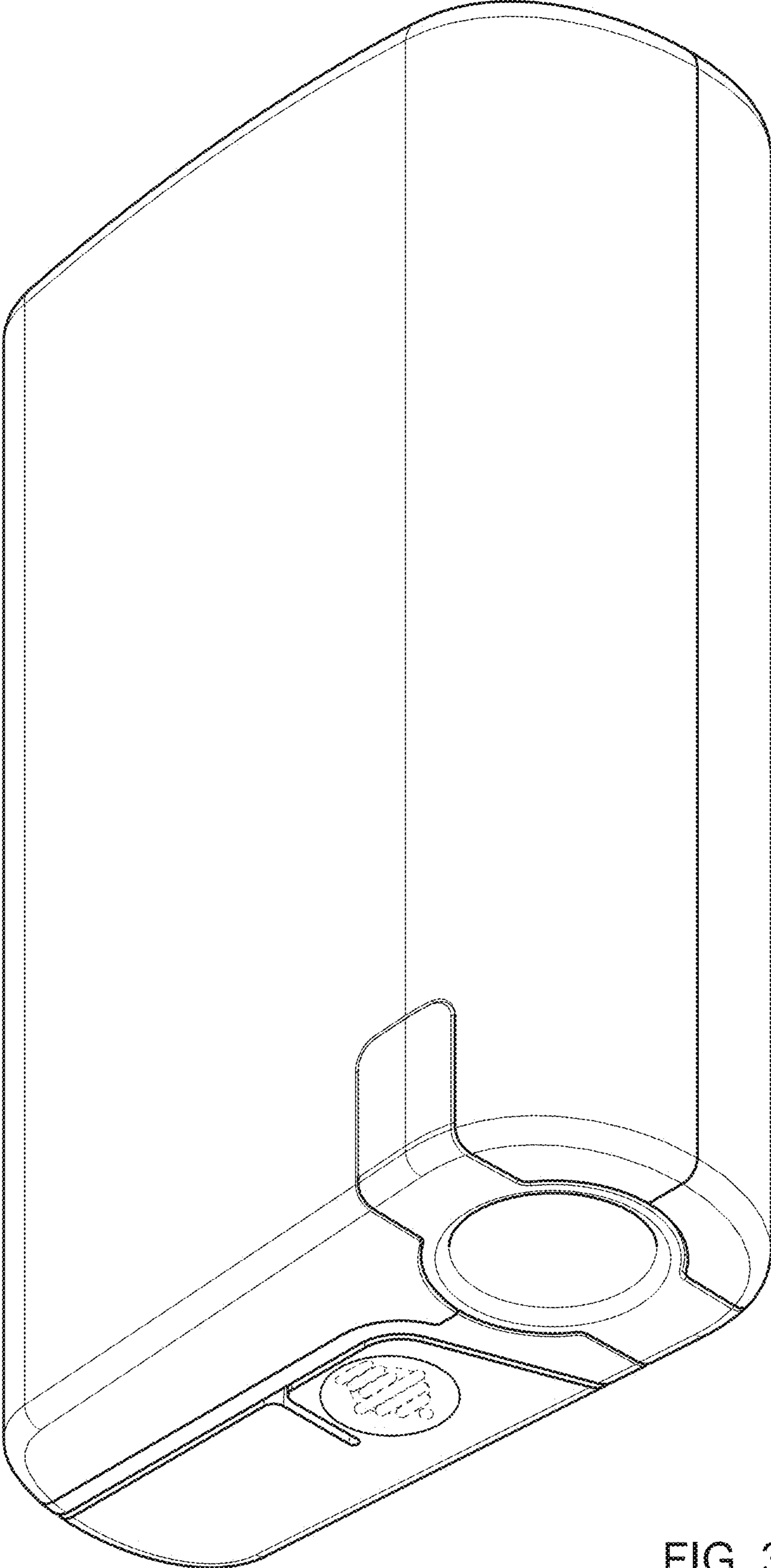


FIG. 3

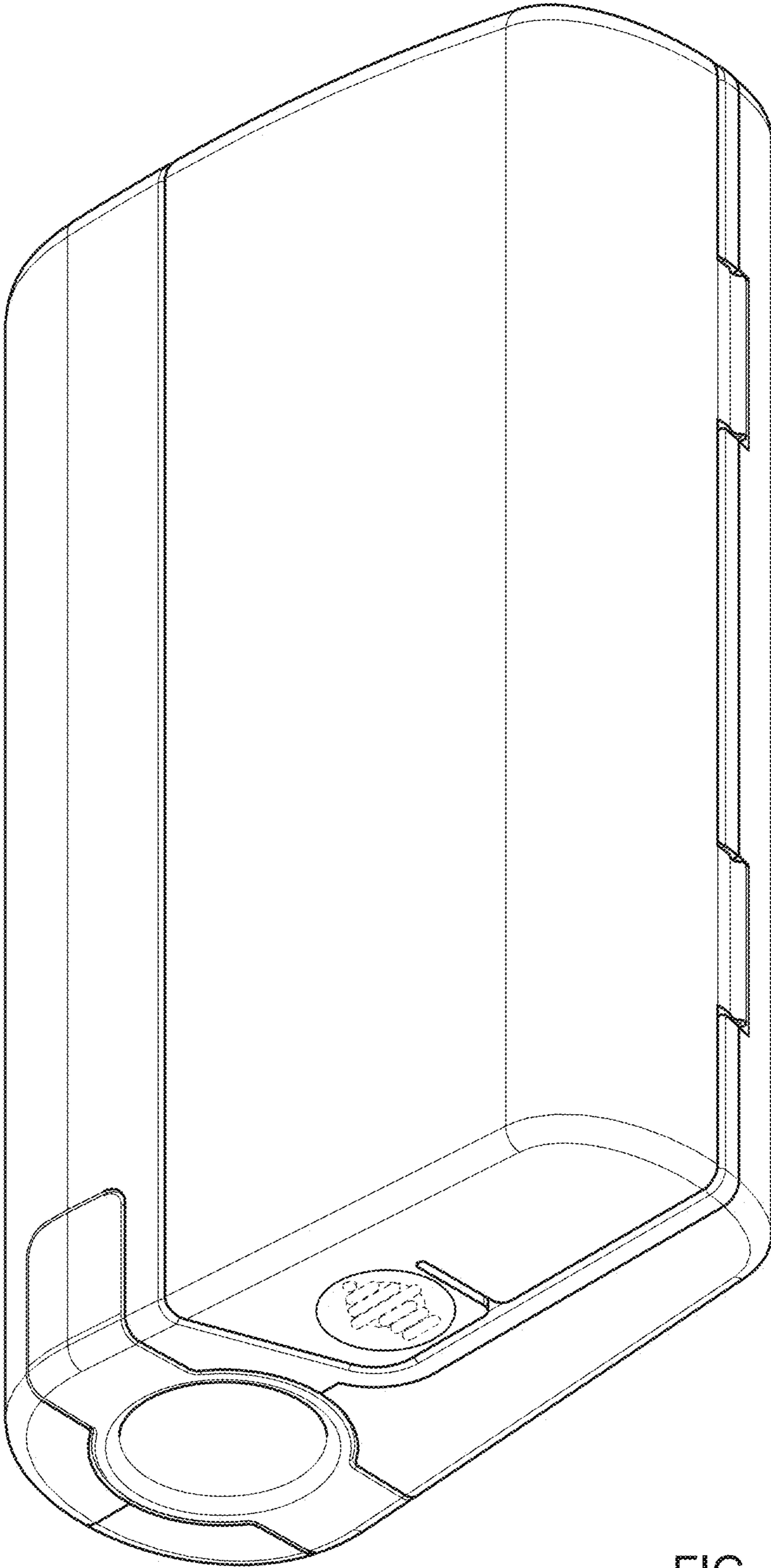


FIG. 4

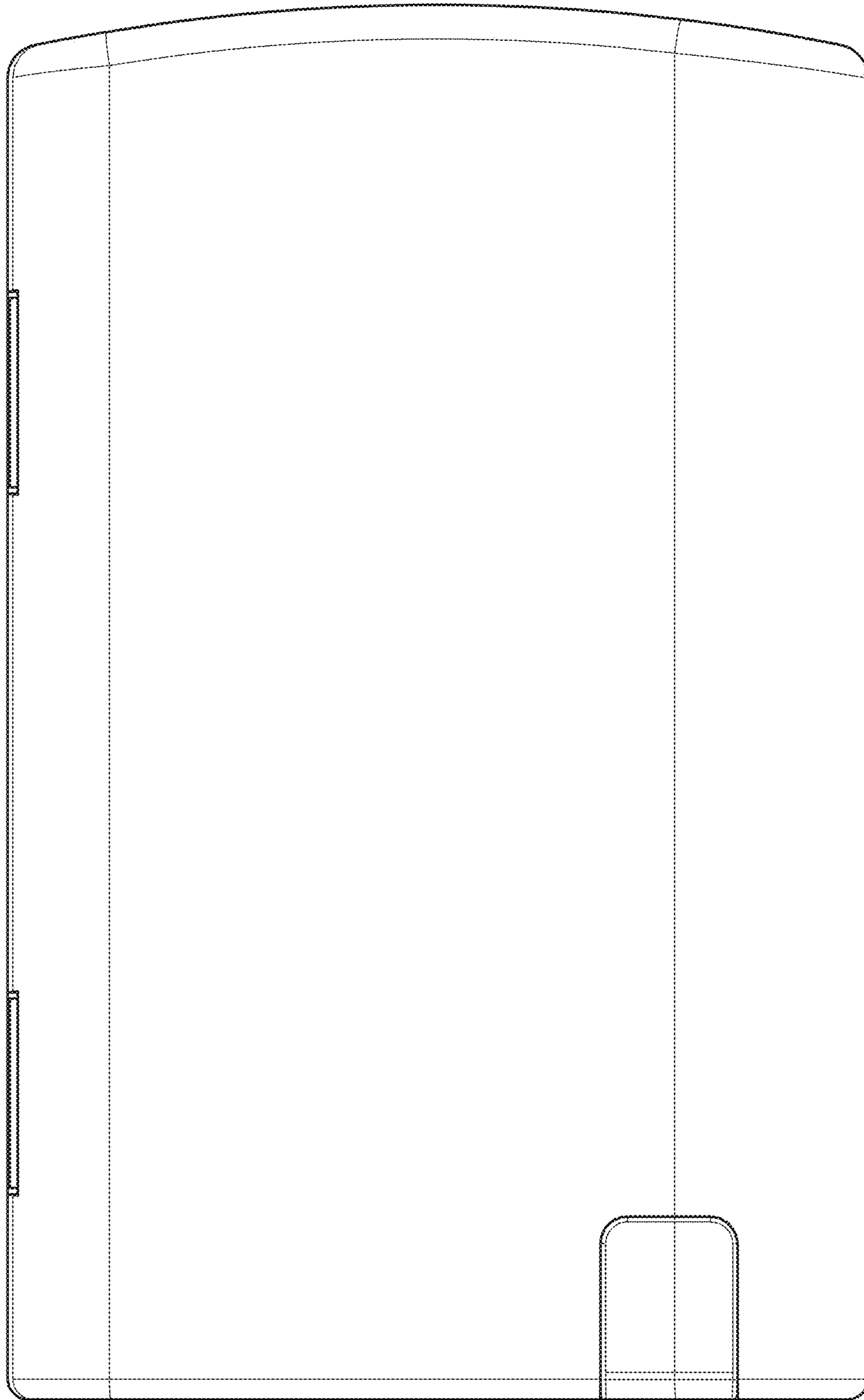


FIG. 5

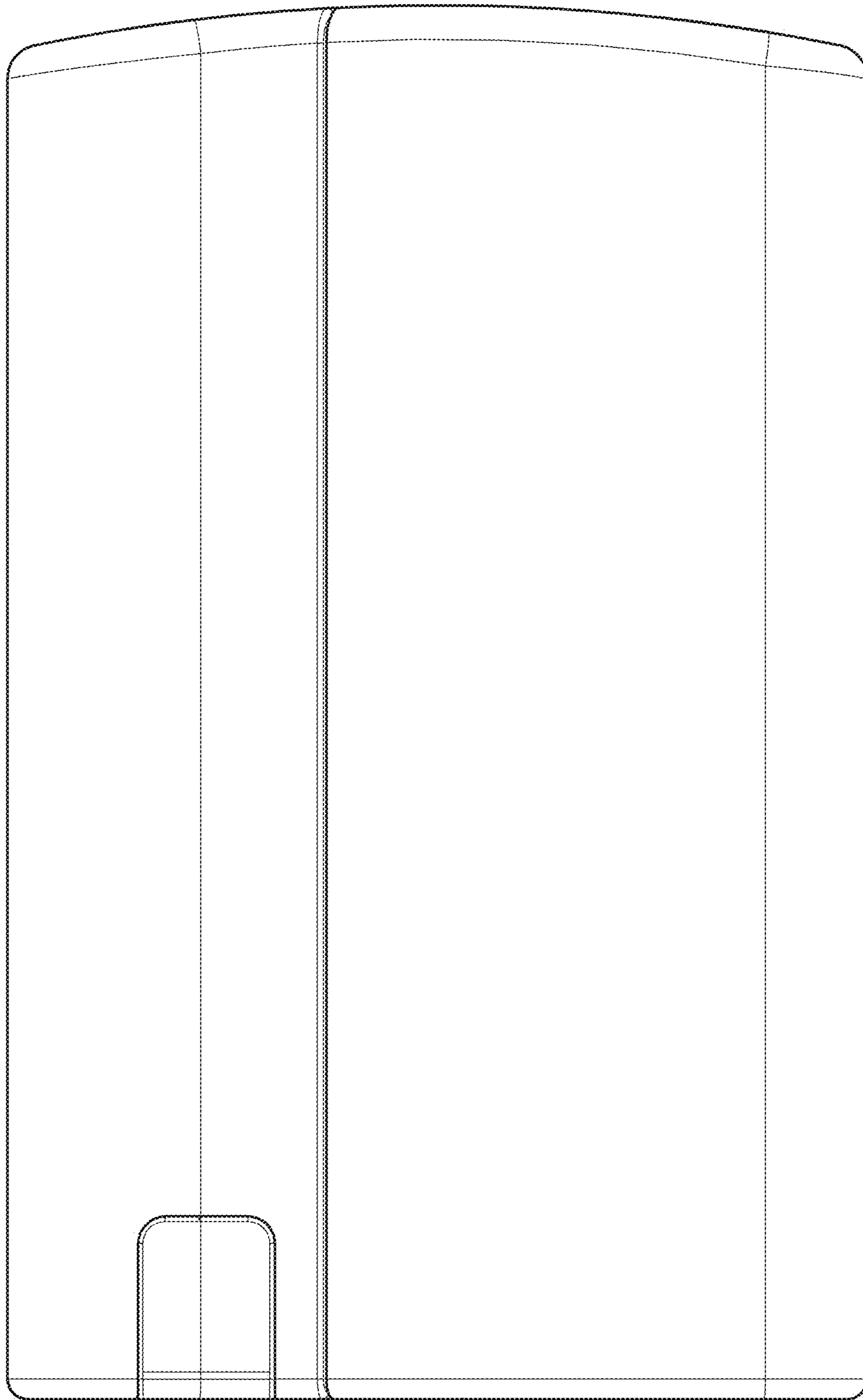


FIG. 6

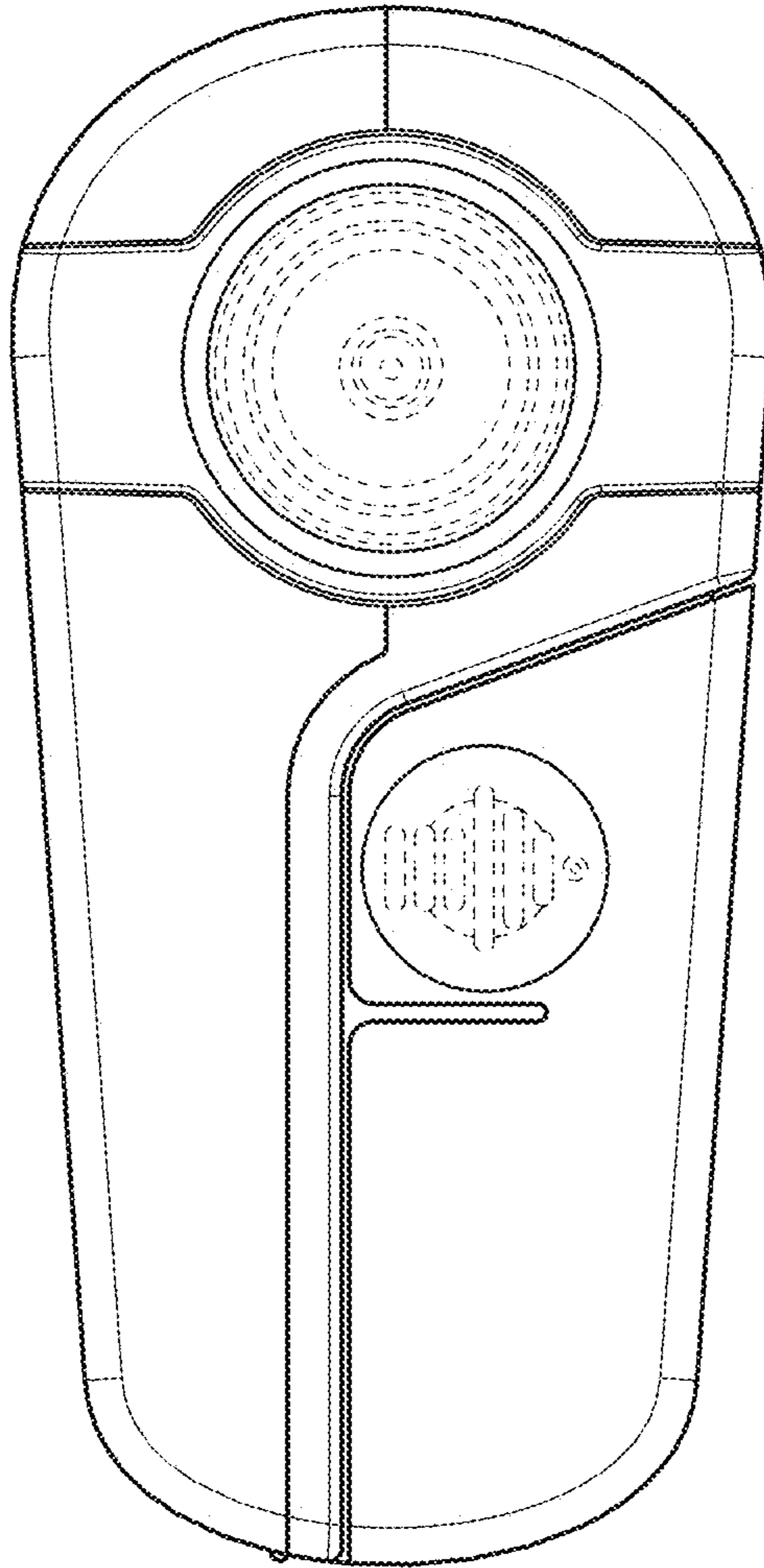


FIG. 7

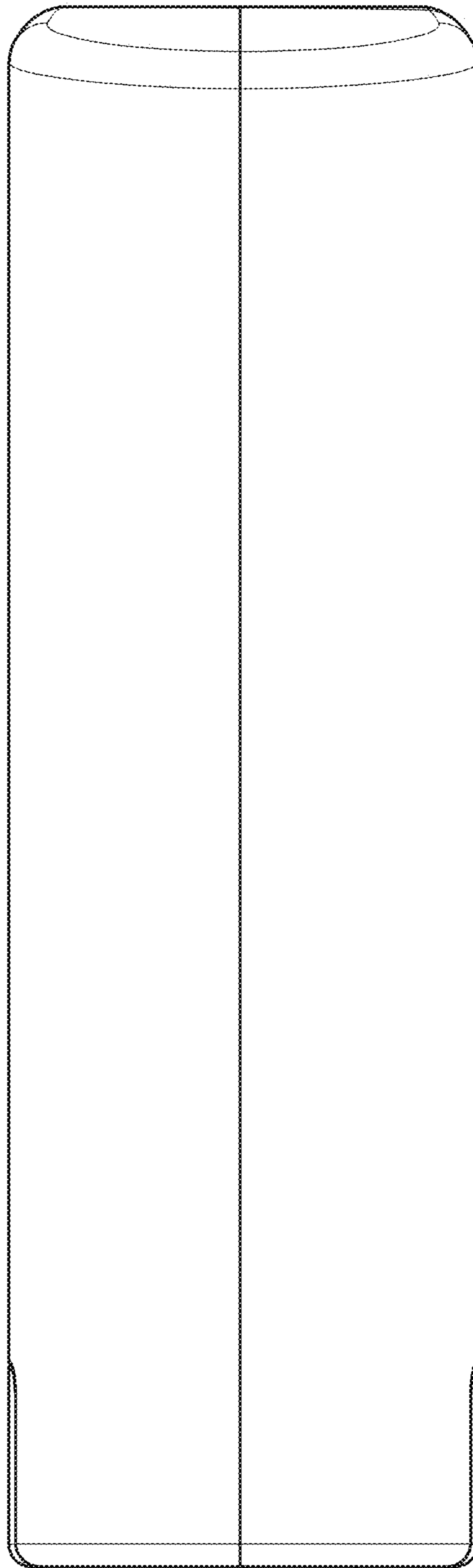


FIG. 8

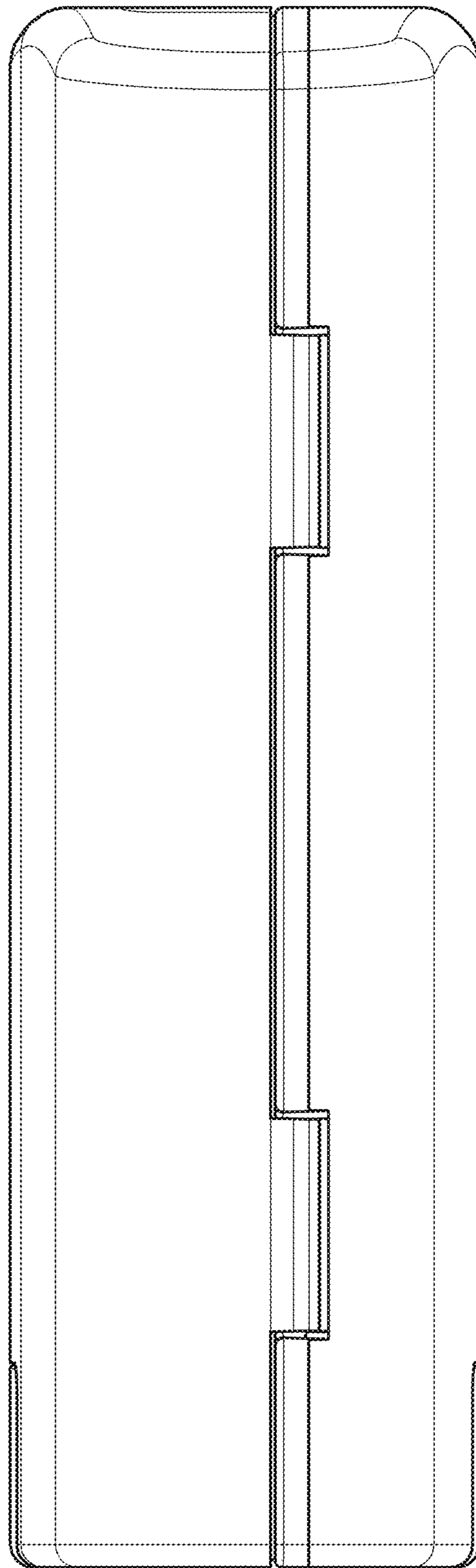


FIG. 9