



US00D947445S

(12) **United States Design Patent** (10) **Patent No.:** **US D947,445 S**
Wu (45) **Date of Patent:** **** Mar. 29, 2022**

(54) **LIGHT BAR BASE**
(71) Applicant: **Hangzhou Fujie Outdoor Products Inc., Zhejiang (CN)**

D889,567 S * 7/2020 Comfort D21/565
D891,688 S * 7/2020 Tremaine D26/138
D925,093 S * 7/2021 Ye D26/76
2021/0404644 A1* 12/2021 Xiao F21V 33/006

(72) Inventor: **Fuqin Wu, Hangzhou (CN)**
(73) Assignee: **Hangzhou Fujie Outdoor Products Inc.**
(**) Term: **15 Years**

FOREIGN PATENT DOCUMENTS

CN 303322728 * 8/2015
CN 304091025 * 3/2017
CN 305461492 * 11/2019
CN 306498094 * 4/2021

(21) Appl. No.: **29/761,181**
(22) Filed: **Dec. 7, 2020**
(51) **LOC (13) Cl.** **26-05**
(52) **U.S. Cl.**
USPC **D26/142**

OTHER PUBLICATIONS

“Muzata 6PACK” reference by Muzata on Amazon.com, date first available Feb. 26, 2019 [online], site visited Jan. 21, 2022, available from internet URL: https://www.amazon.com/Muzata-Flexible-Bendable-Aluminum-U106/dp/B07P7NYSQ7/ref=sr_1_30?keywords=Led+Channel&qid=1642716830&sr=8-30 (Year: 2019).*

(58) **Field of Classification Search**
USPC D26/24, 72, 74, 81–84, 88, 93, 113, 138, D26/142, 3, 26, 61, 75, 76, 85, 140, 141, D26/152, 155; D8/349, 354, 373, 380
CPC F21S 6/00; F21S 6/005; F21S 8/00; F21S 8/02; F21S 8/026; F21S 8/066; F21V 21/02; F21V 21/042; F21V 21/047; F21V 21/06; F21V 21/08; F21V 17/16; F21V 19/0065

(Continued)

Primary Examiner — Marissa J Cash
Assistant Examiner — Liv C Anderson

See application file for complete search history.

(57) **CLAIM**

The ornamental design for light bar base, as shown and described.

(56) **References Cited**

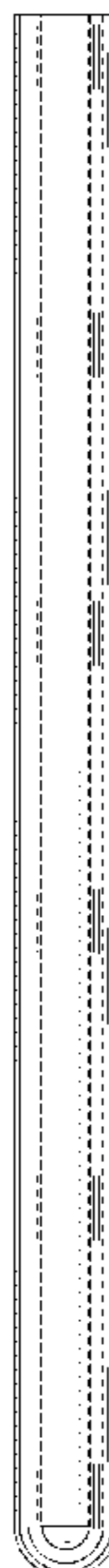
DESCRIPTION

U.S. PATENT DOCUMENTS

D261,134 S * 10/1981 Heritage D13/139.2
D292,619 S * 11/1987 Chen D26/141
D416,470 S * 11/1999 Aldeghi D8/354
D504,526 S * 4/2005 Perkins D25/138
D693,813 S * 11/2013 Symons D14/432
D756,022 S * 5/2016 Shipman D26/113
D756,028 S * 5/2016 Shipman D26/142
D756,558 S * 5/2016 Paulsen D26/142
D799,107 S * 10/2017 Sonneman D26/138
D813,443 S * 3/2018 Matteson D26/138

FIG. 1 is a front view of the light bar base showing my new design;
FIG. 2 is a back view thereof;
FIG. 3 is a left side view thereof;
FIG. 4 is a right side view thereof;
FIG. 5 is a top view thereof;
FIG. 6 is a bottom view thereof;
FIG. 7 is a perspective view thereof; and,
FIG. 8 is another perspective view thereof.

1 Claim, 8 Drawing Sheets



(56)

References Cited

OTHER PUBLICATIONS

“Hunhun 10-pack” reference by hunhun INC on Amazon.com, date first available Jun. 1, 2017 [online], site visited Jan. 21, 2022, available from internet URL: https://www.amazon.com/dp/B071FRFQVZ/ref=cm_sw_em_r_mt_dp_P084GV26PM85W080ERQ3 (Year: 2017).*

“Globe Electric 26180 UV-C Light” reference by Amazon.com, date first available Oct. 16, 2020 [online], site visited Jan. 21, 2022, available from internet URL: https://www.amazon.com/dp/B08L9WVB3B/ref=cm_sw_em_r_mt_dp_NCBKAVRN5HBHCJYT1733 (Year: 2020).*

“UV-C Light” reference by Overloaded Warehouse on Amazon.com, date first available Oct. 16, 2020 [online], site visited Jan. 21, 2022, available from internet URL: https://www.amazon.com/dp/B08L9VK9WB/ref=cm_sw_em_r_mt_dp_PR2QCQHZAPDHN40VKE5X (Year: 2020).*

* cited by examiner

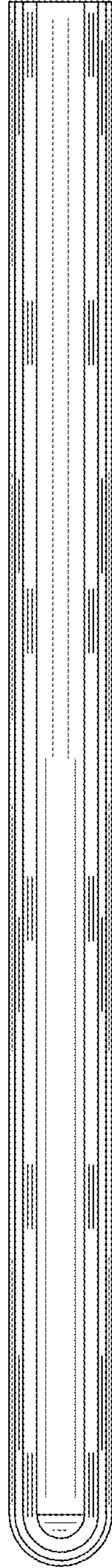


FIG. 1

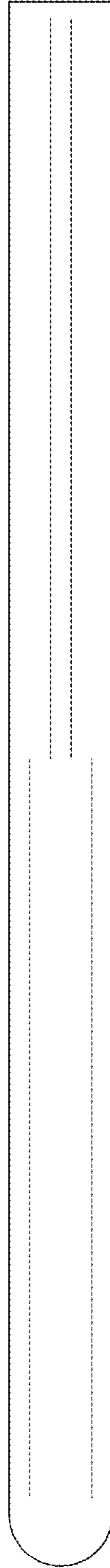


FIG. 2

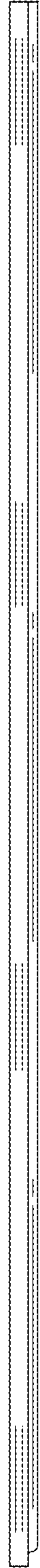


FIG. 3

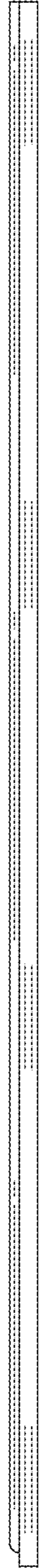


FIG. 4

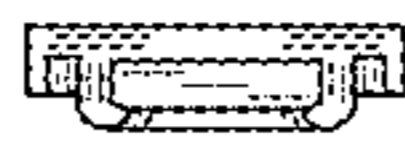


FIG. 5

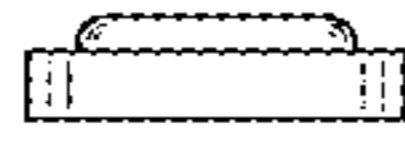


FIG. 6

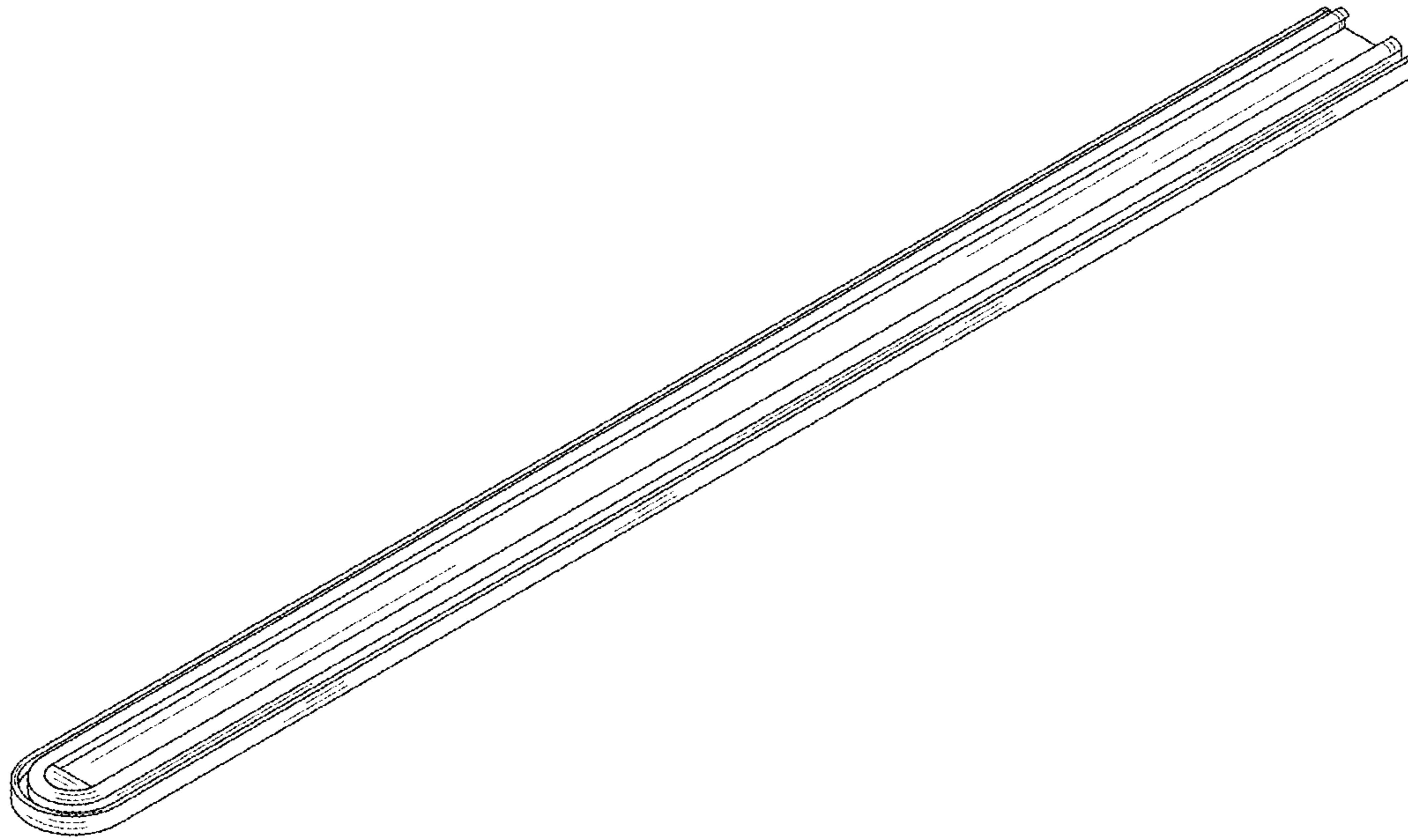


FIG. 7

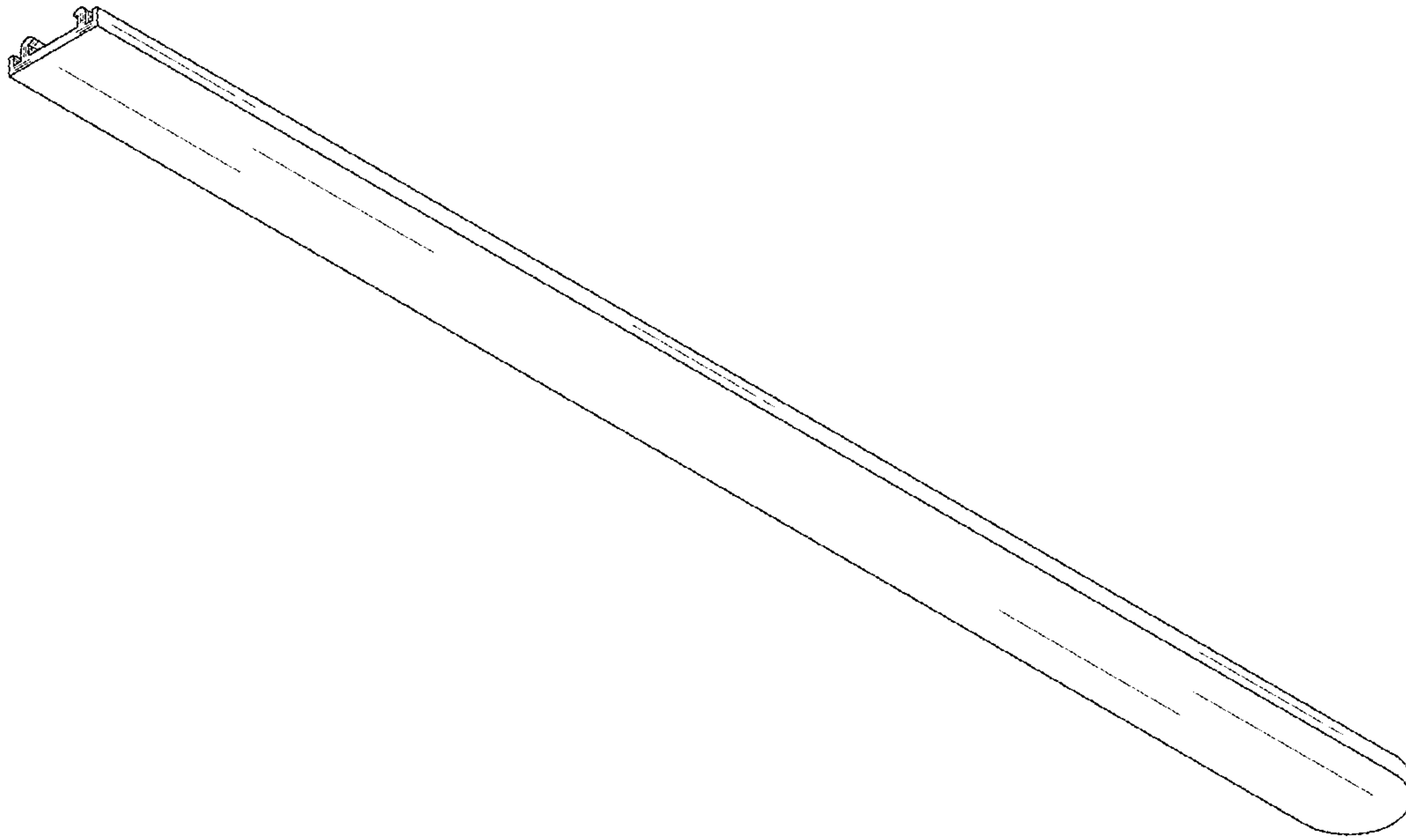


FIG. 8