



US00D947443S

(12) **United States Design Patent** (10) **Patent No.:** **US D947,443 S**
Dieter et al. (45) **Date of Patent:** **** Mar. 29, 2022**

(54) **LIGHT FIXTURE HOUSING**

(71) Applicant: **Electronic Theatre Controls, Inc.**,
Middleton, WI (US)

(72) Inventors: **Paul Dieter**, Middleton, WI (US);
Benjamin Rodgers, Middleton, WI (US)

(73) Assignee: **Electronic Theatre Controls, Inc.**,
Middleton, WI (US)

(**) Term: **15 Years**

(21) Appl. No.: **29/723,355**

(22) Filed: **Feb. 6, 2020**

(51) **LOC (13) Cl.** **26-05**

(52) **U.S. Cl.**
USPC **D26/118**

(58) **Field of Classification Search**
USPC D26/24, 37-52, 72-73, 81, 88-90, 113,
D26/118-119, 123-124; D16/208, 209,
D16/101, 211

CPC F21Y 2115/10; F21Y 2113/13; F21Y
2113/10; F21Y 2105/10; F21Y 2105/16;
F21Y 2101/00; F21Y 2103/00; F21Y
2103/33; F21Y 2105/18; F21Y 2107/40;
F21Y 2107/90; F21Y 2113/00; F21Y
2113/17; F21Y 2113/20; F21Y 2115/15;
F21Y 2115/30; F21V 21/30; F21V 5/04;
F21V 14/06; F21V 21/15; F21V 14/02;
F21V 14/003; F21V 14/065; F21V 13/02;
F21V 14/006; F21V 19/02; F21V 29/773;
F21V 5/008; F21V 13/04; F21V 15/01;
F21V 17/02; F21V 17/12; F21V 23/0414;
F21V 23/06; F21V 5/045; F21V 7/0091;
F21V 21/406; F21V 29/50; F21V 5/048;
F21V 7/00; F21V 11/16; F21V 14/025;
F21V 19/001; F21V 19/003; F21V 21/14;
F21V 23/006; F21V 23/0435; F21V
29/83; F21V 3/00; F21V 17/164; F21V
21/0824; F21V 23/005; F21V 23/02;
F21V 23/04; F21V 29/505; F21V 29/673;

F21V 29/70; F21V 29/89; F21V 5/002;
F21V 5/006; F21V 5/007; F21V 7/0008;
F21V 7/0025; F21V 7/0033; F21V
7/0083; F21V 7/041; F21V 7/06; F21V
11/00; F21V 13/10; F21V 13/12; F21V
13/14; F21V 15/00; F21V 17/06; F21V
17/104; F21V 17/107; F21V 17/14; F21V
1/00; F21V 21/04; F21V 21/044; F21V
21/088; F21V 21/0885; F21V 21/096;
F21V 21/145; F21V 21/26; F21V 21/40;
F21V 2200/40; F21V 23/003; F21V
(Continued)

(56) **References Cited**

U.S. PATENT DOCUMENTS

D425,229 S * 5/2000 Poon D26/46
D431,663 S * 10/2000 Kung D26/49

(Continued)

Primary Examiner — Marissa J Cash
Assistant Examiner — William B Melliar
(74) *Attorney, Agent, or Firm* — Michael Best &
Friedrich LLP

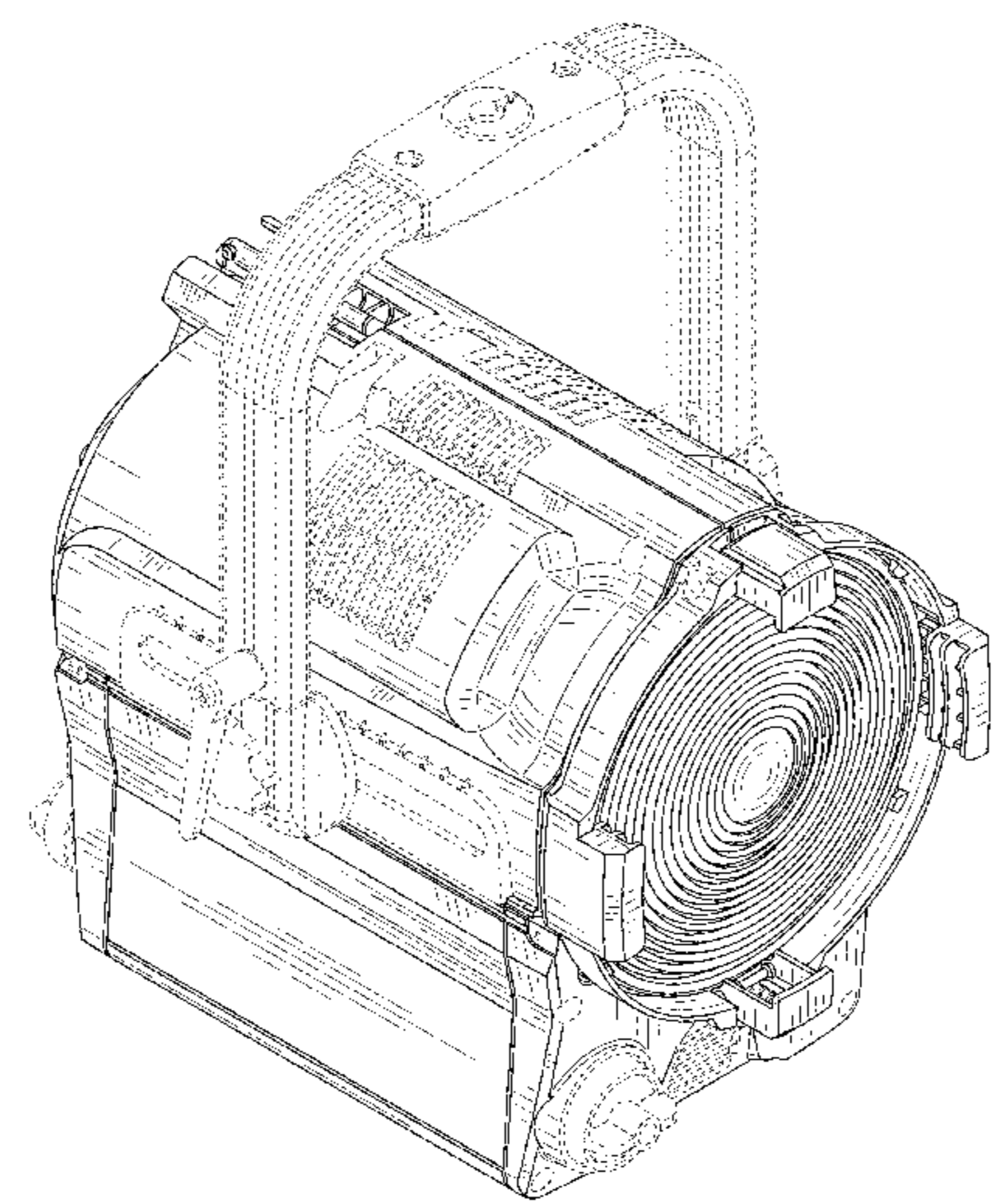
(57) **CLAIM**

We claim the ornamental design for a light fixture housing,
as shown and described.

DESCRIPTION

FIG. 1 is a front perspective view of a light fixture housing
embodying the present invention.
FIG. 2 is a front view of the design shown in FIG. 1.
FIG. 3 is a rear view of the design shown in FIG. 1.
FIG. 4 is a left side view of the design shown in FIG. 1.
FIG. 5 is a right side view of the design shown in FIG. 1.
FIG. 6 is a top view of the design shown in FIG. 1; and,
FIG. 7 is a bottom view of the design shown in FIG. 1.
The portions of the light fixture housing shown in broken
lines form no part of the claimed design.

1 Claim, 7 Drawing Sheets



(58) **Field of Classification Search**

CPC 23/004; F21V 23/0407; F21V 27/02; F21V 29/10; F21V 29/51; F21V 29/67; F21V 29/677; F21V 29/71; F21V 29/73; F21V 29/76; F21V 29/763; F21V 31/00; F21V 3/02; F21V 3/026; F21V 3/04; F21V 3/0625; F21V 5/10; F21V 7/043; F21V 7/045; F21V 7/048; F21V 7/08; F21V 7/09; F21V 7/24; F21V 7/28; F21V 9/00; F21V 9/30; F21W 2131/406; F21W 2131/405; F21W 2102/17; F21W 2131/304; F21W 2106/00; F21W 2107/10; F21W 2107/30; F21W 2121/00; F21W 2121/006; F21W 2131/10

See application file for complete search history.

(56) **References Cited**

U.S. PATENT DOCUMENTS

D441,108	S	*	4/2001	Poon	D26/37
D486,259	S	*	2/2004	Crawford	D26/46
D606,690	S	*	12/2009	Orron	D26/61
D699,382	S	*	2/2014	Moller	D26/63
D750,826	S	*	3/2016	Jonischkeit	D26/61
D750,827	S	*	3/2016	Jonischkeit	D26/61
D759,280	S	*	6/2016	Moller	D26/63
D773,708	S	*	12/2016	Kliegl	D26/63
D783,874	S	*	4/2017	Moller	D26/63
D797,334	S	*	9/2017	Inskeep	D26/45
D815,327	S	*	4/2018	Moller	D26/63
D898,260	S	*	10/2020	Worman	D26/60
D898,261	S	*	10/2020	Worman	D26/60

* cited by examiner

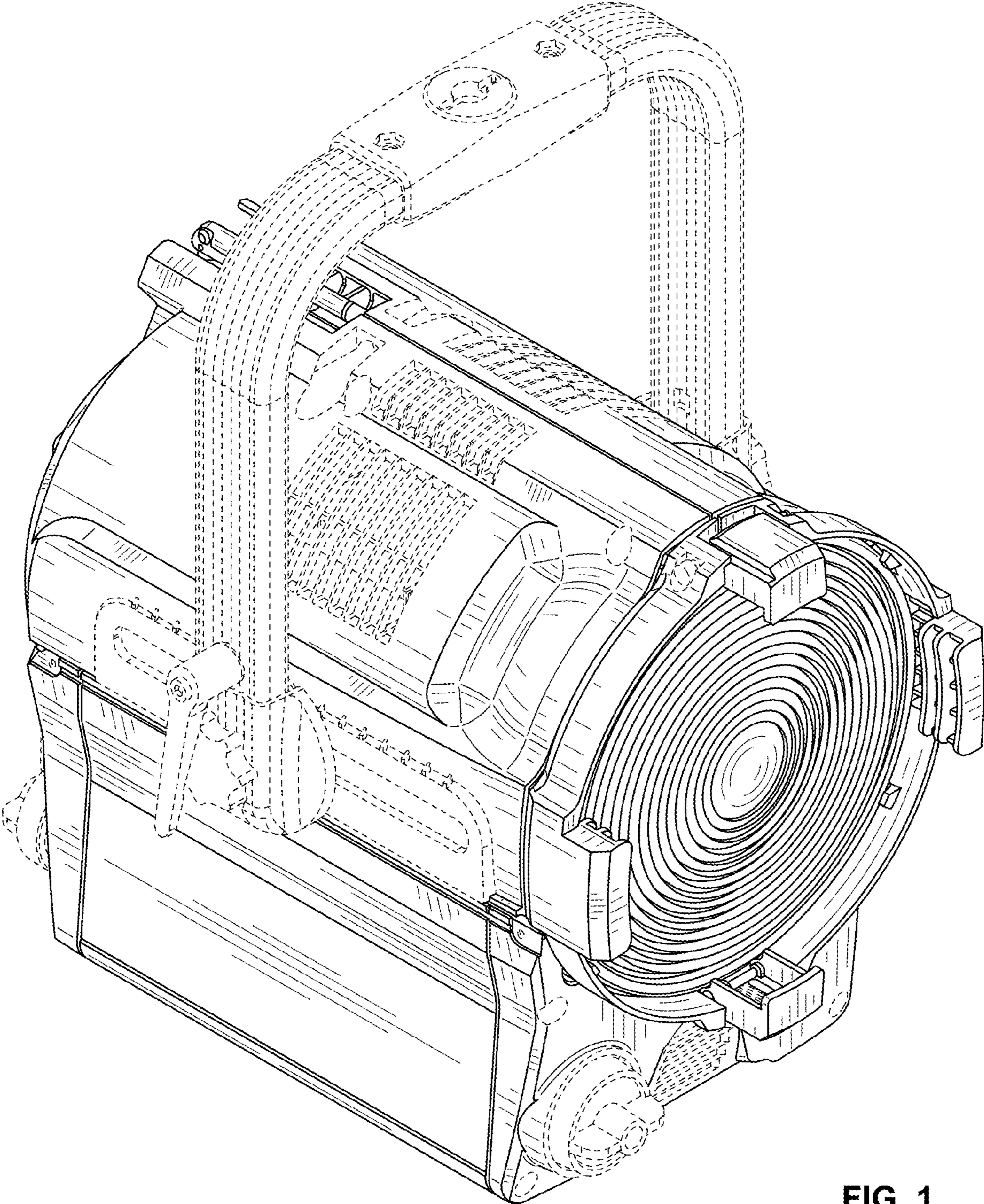


FIG. 1

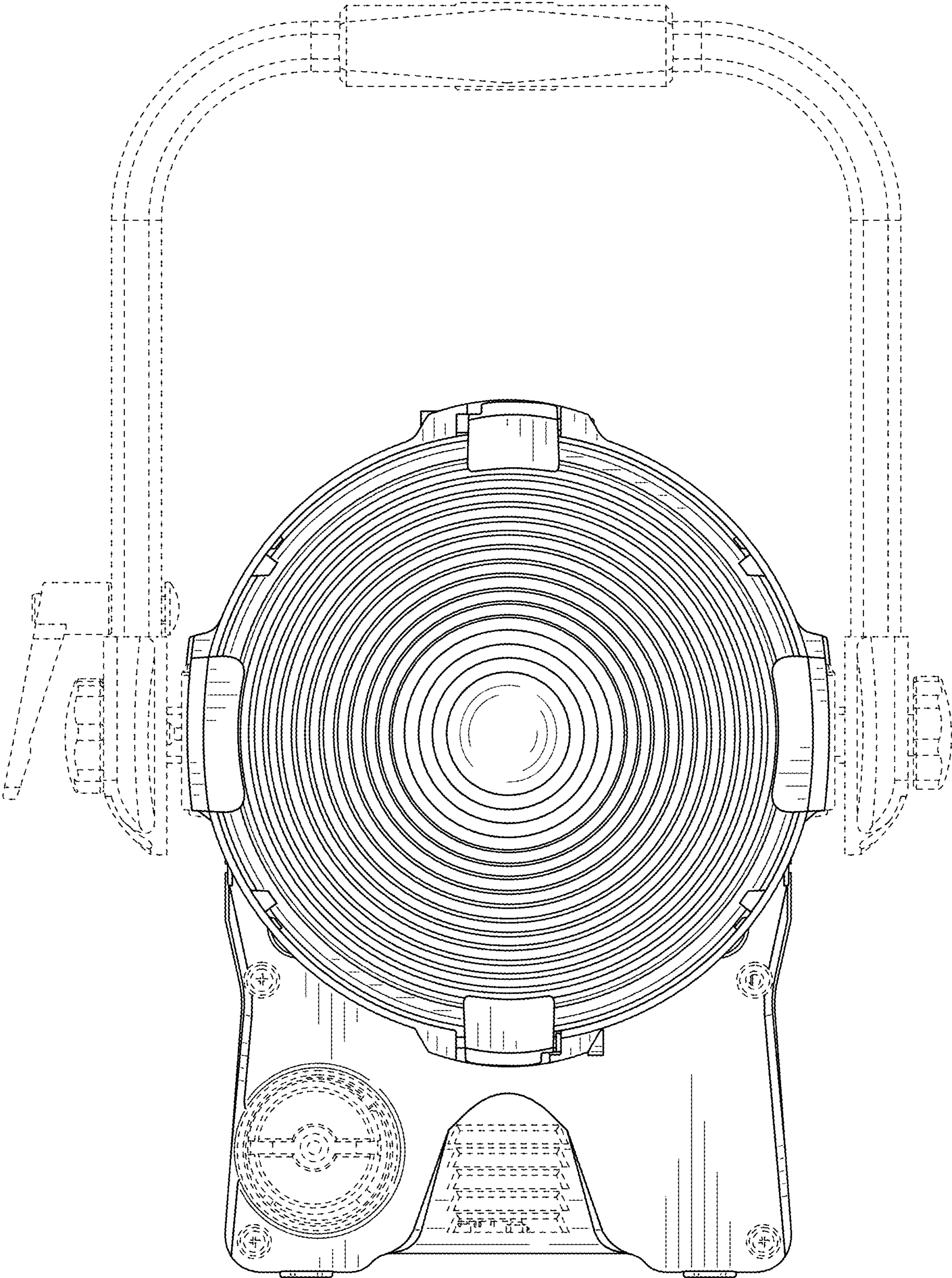


FIG. 2

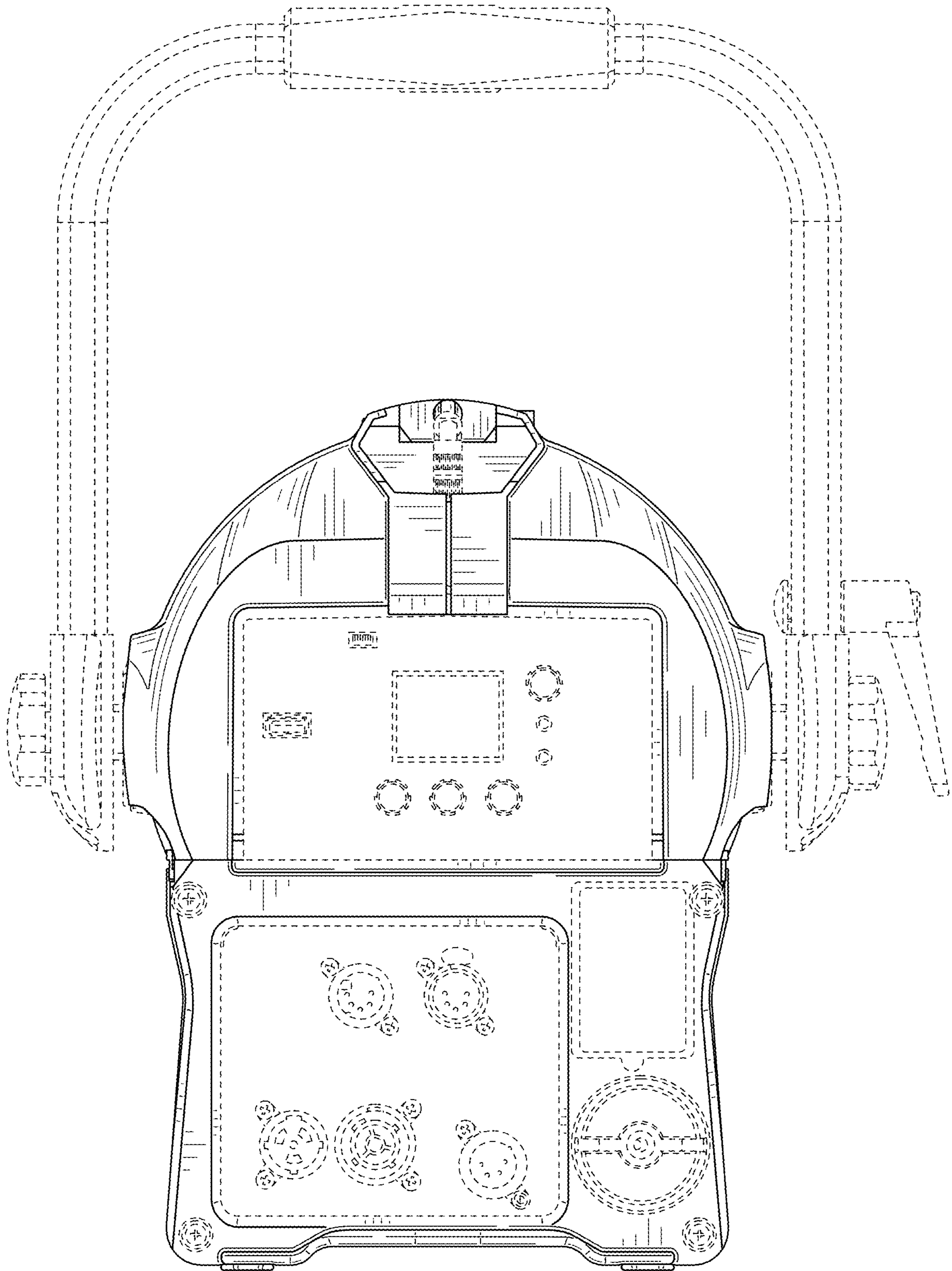


FIG. 3

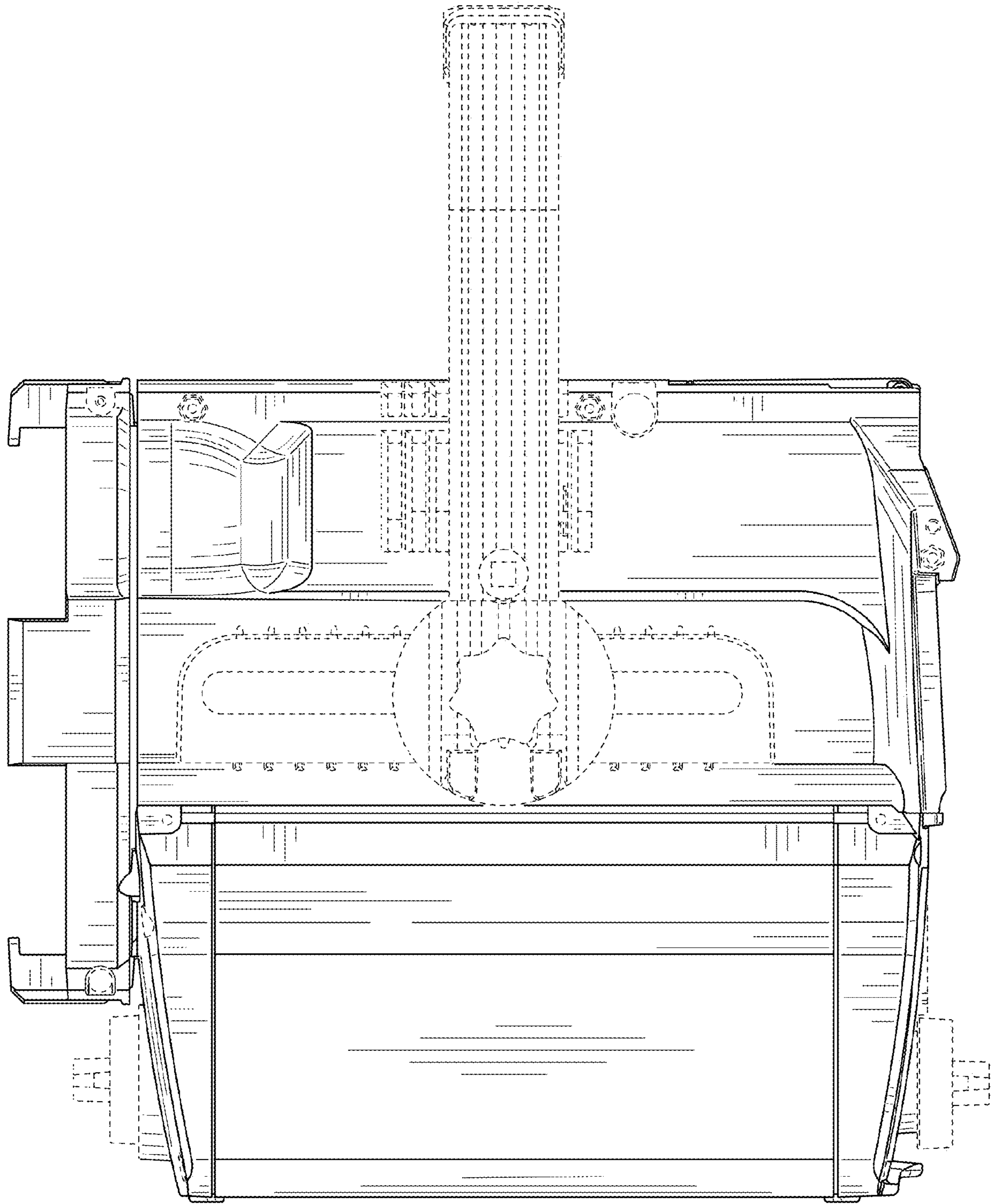


FIG. 4

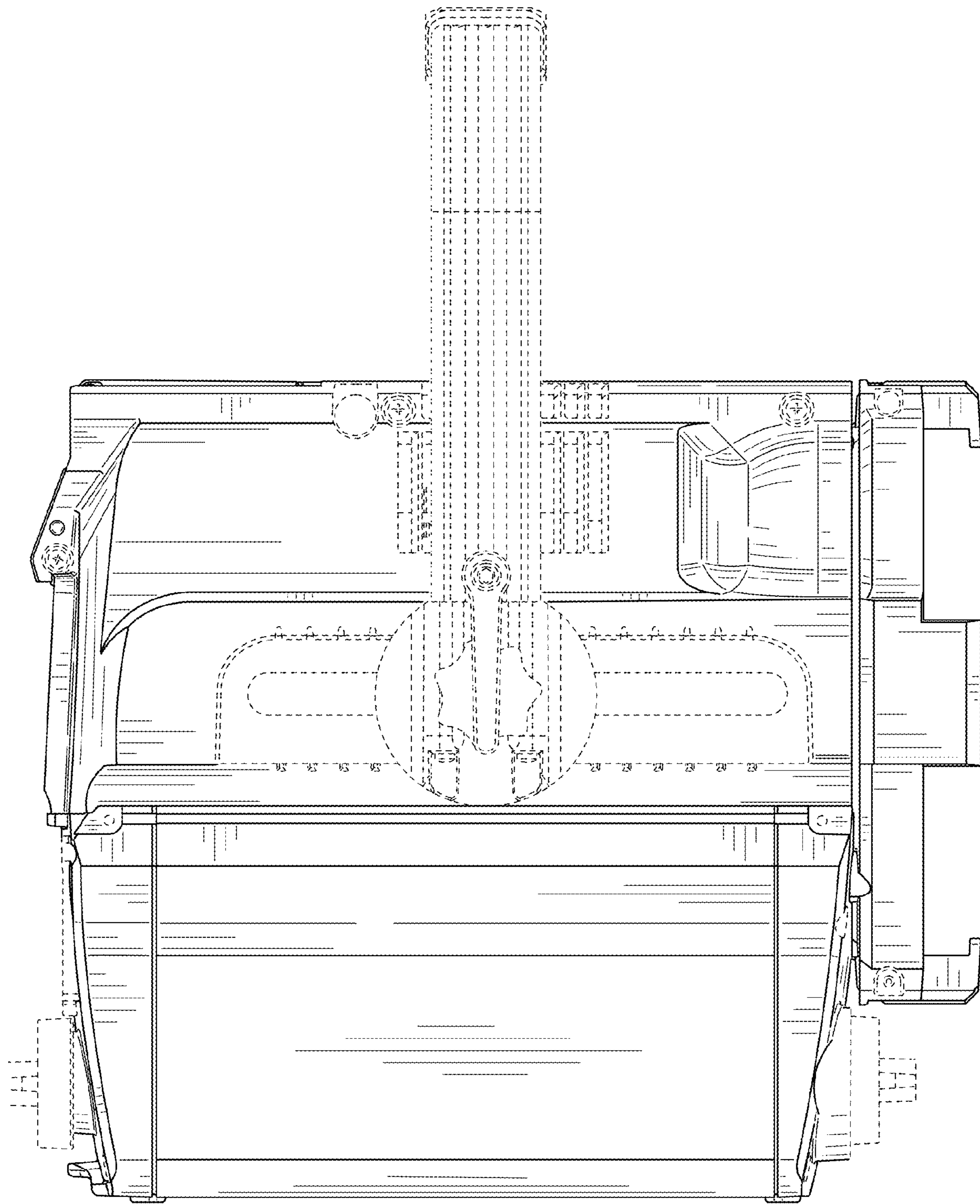


FIG. 5

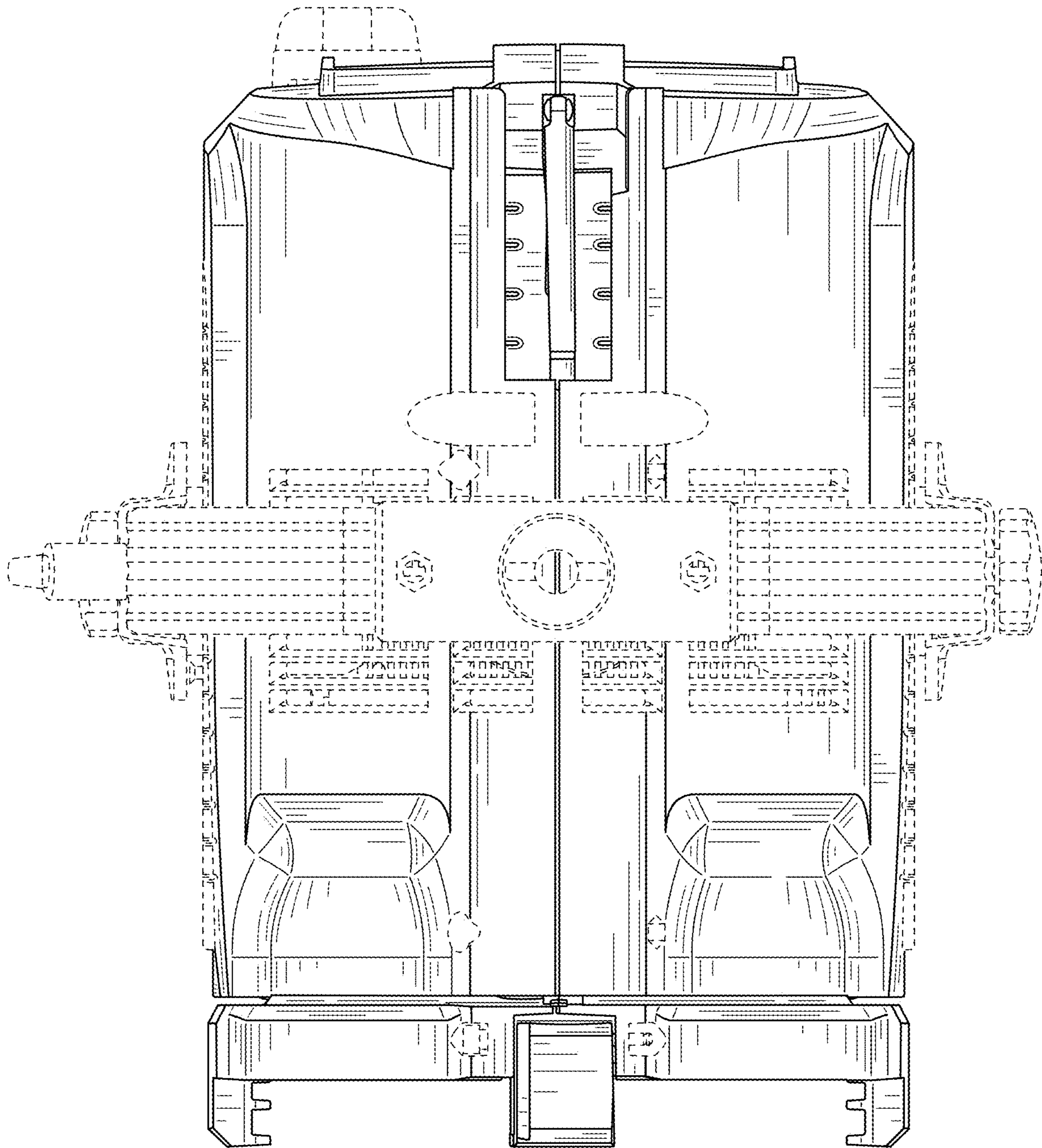


FIG. 6

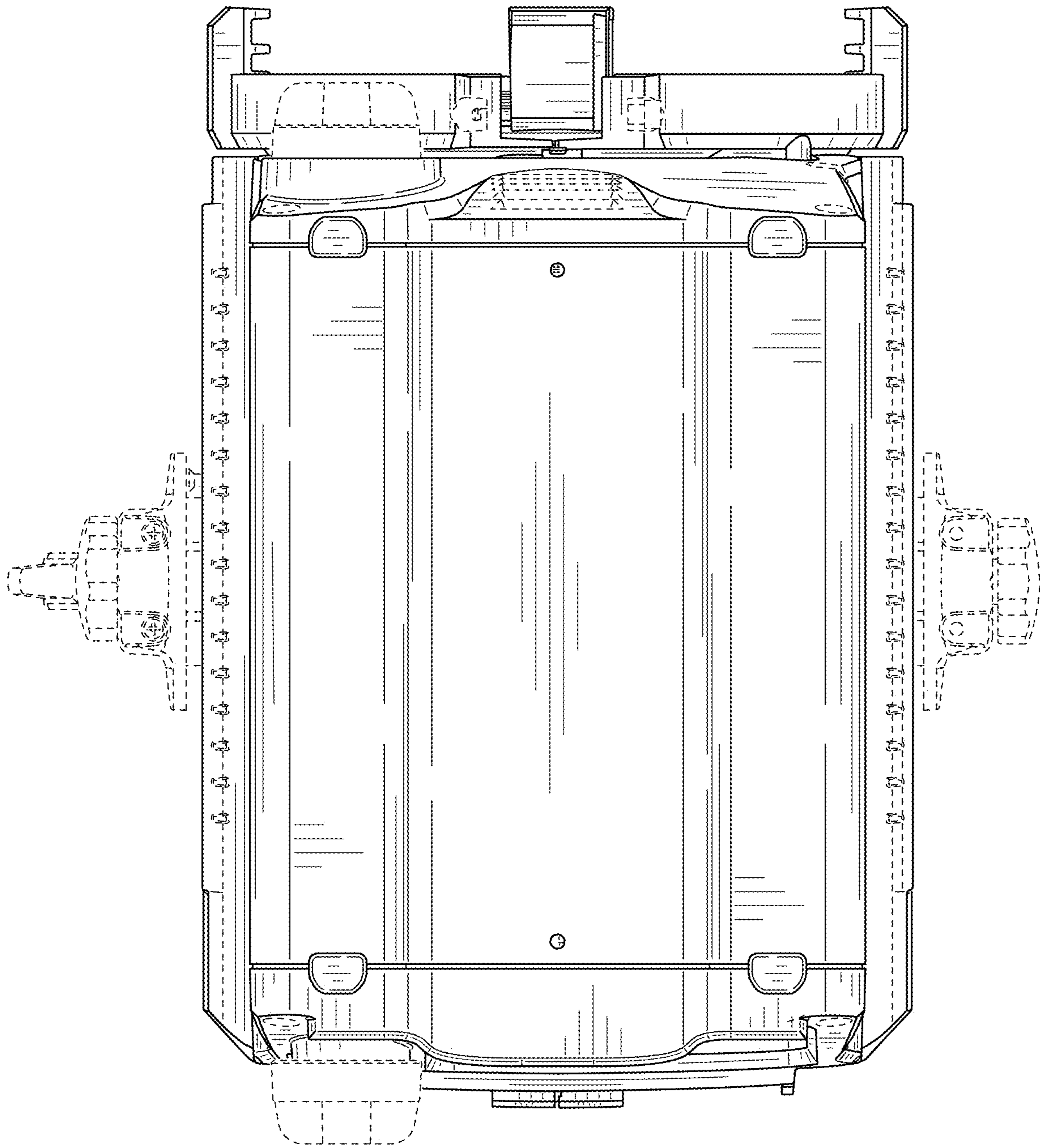


FIG. 7