



US00D947442S

(12) **United States Design Patent**
Sun

(10) **Patent No.:** **US D947,442 S**
(45) **Date of Patent:** **** Mar. 29, 2022**

(54) **TABLE LAMP**

(71) Applicant: **GUANGDONG COMELY LIGHTING AND ELECTRICAL APPLIANCES CO., LTD**, ZhongShan (CN)

(72) Inventor: **Yue Sun**, Zhongshan (CN)

(**) Term: **15 Years**

(21) Appl. No.: **29/757,310**

(22) Filed: **Nov. 5, 2020**

(30) **Foreign Application Priority Data**

Jul. 9, 2020 (CN) 202030368245.6

(51) **LOC (13) Cl.** **26-05**

(52) **U.S. Cl.**
USPC **D26/110**

(58) **Field of Classification Search**
USPC ... D26/1, 2, 3, 4, 5, 24, 37, 40, 93, 94, 105, D26/110

CPC F21L 2/00; F21S 2/00; F21S 6/00; F21S 6/002; F21S 6/003

See application file for complete search history.

(56) **References Cited**

U.S. PATENT DOCUMENTS

- 582,838 A * 5/1897 Wilson F21V 35/00 362/161
- 1,078,198 A * 11/1913 Hauser F21V 35/00 431/290
- D115,505 S * 7/1939 Ambrose D26/117
- D134,402 S * 11/1942 Ross D7/594
- D144,257 S * 3/1946 Rubin D26/40
- D145,588 S * 9/1946 Rubin D26/103
- D154,258 S * 6/1949 Frontier D26/110
- D160,813 S * 11/1950 Scherr D26/117
- 3,760,177 A * 9/1973 Levy F21S 6/001 362/311.01

- D628,325 S 11/2010 Houghton
 - D706,968 S 6/2014 McDonough et al.
 - D819,855 S * 6/2018 Li F21V 35/00 D26/41
 - 10,119,687 B1 * 11/2018 Hsu F21V 23/02
 - D838,030 S 1/2019 Scarso
- (Continued)

FOREIGN PATENT DOCUMENTS

GB 9008254742-0001 * 11/2020

OTHER PUBLICATIONS

Amazon, "Tubicen Rechargeable Cordless Table Lamp", first available Dec. 17, 2020. (<https://www.amazon.com/Tubicen-Rechargeable-Dimmable-Kerosene-Wireless/dp/B08QV7FNSN>) (Year: 2020).*

(Continued)

Primary Examiner — Lauren D McVey
Assistant Examiner — Justin A Johnson

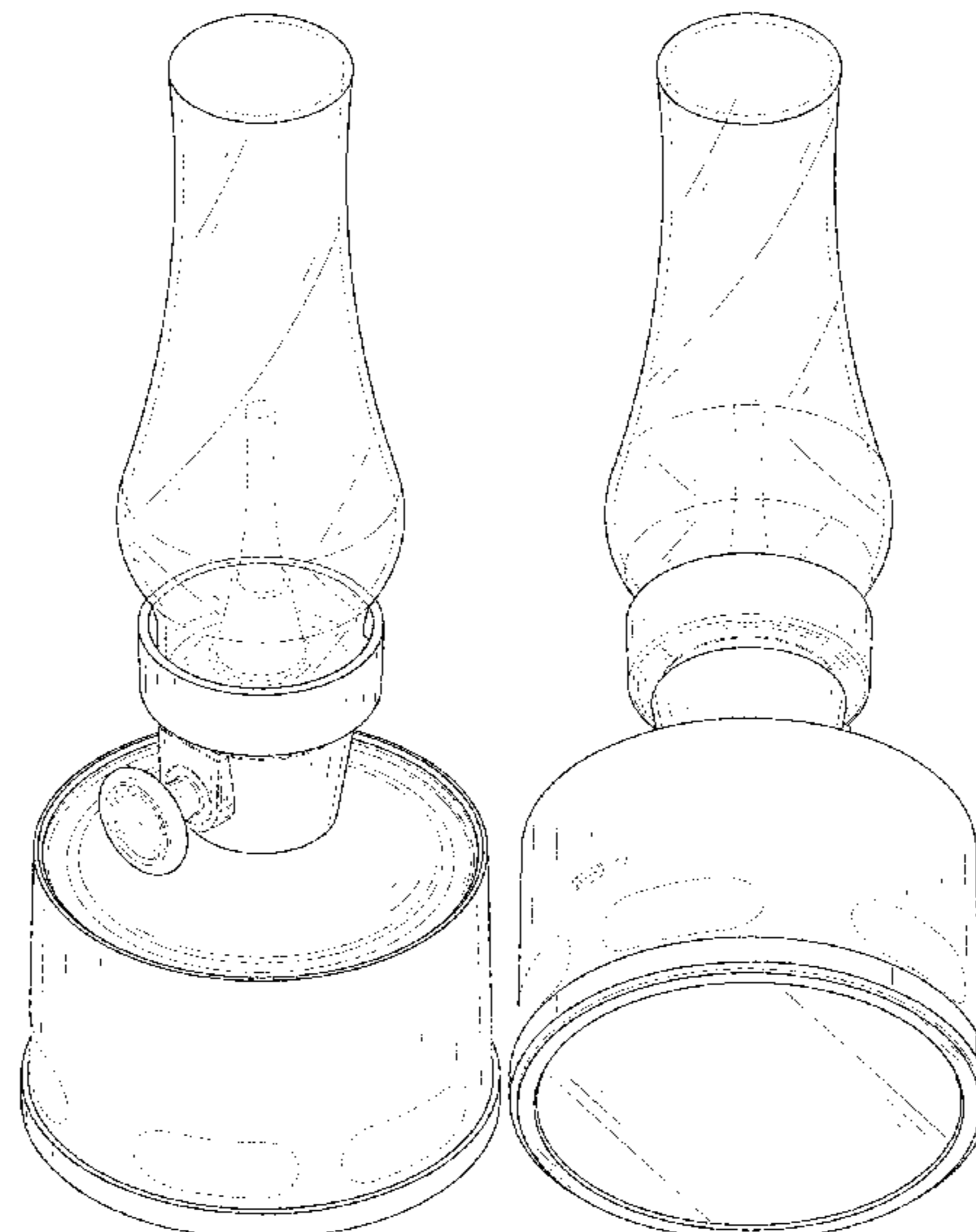
(57) **CLAIM**

The ornamental design for a table lamp, as shown and described.

DESCRIPTION

FIG. 1 is a first perspective view of a table lamp showing my new design;
FIG. 2 is a second perspective view thereof;
FIG. 3 is a front view thereof;
FIG. 4 is a back view thereof;
FIG. 5 is a left side view thereof;
FIG. 6 is a right side view thereof;
FIG. 7 is a top view thereof; and,
FIG. 8 is a bottom view thereof.
The broken lines immediately adjacent to the shaded areas depict the bounds of the claimed design, while all other broken lines are directed to environment. The broken lines form no part of the claimed design.

1 Claim, 8 Drawing Sheets



(56)

References Cited

U.S. PATENT DOCUMENTS

D872,332 S * 1/2020 Hsu F21S 6/001
D26/40
D892,372 S * 8/2020 Hsu D26/37

OTHER PUBLICATIONS

Amazon, "Bluetooth LED Lantern Speakers Ivory", first available Jul. 17, 2020. (<https://www.amazon.com/Bluetooth-Lantern-Speakers-Product-Handlehanger/dp/B08D69GR2G>) (Year: 2020).*

Uncommon Goods, "LED Lantern Speaker", first available Aug. 2020. (<https://www.uncommongoods.com/product/led-lantern-speaker>) (Year: 2020).*

Interismo, "SBAM Mori Mori LED Lantern", first available Jun. 29, 2021. (<https://www.interismo.com/reviews/sbam/mori-mori-led-lantern-with-bluetooth-speaker-snug-room?lang=all>) (Year: 2021).*

* cited by examiner

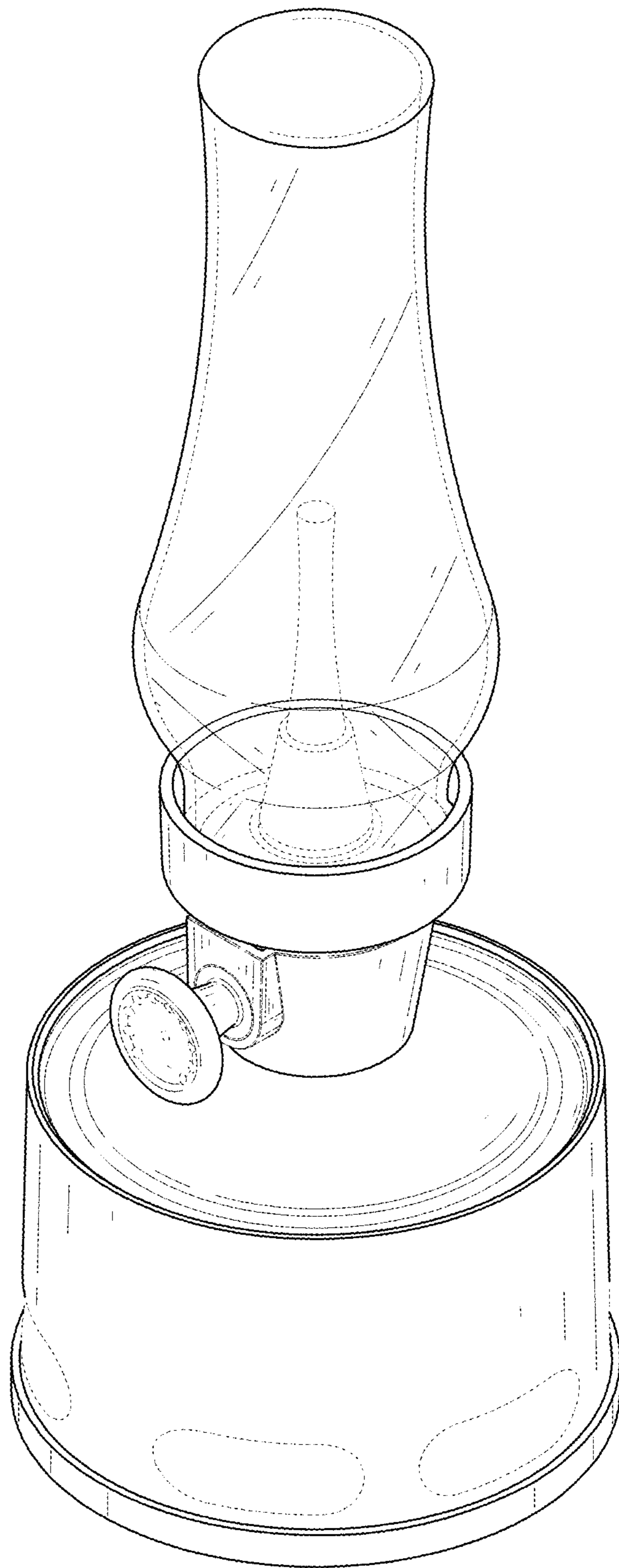


FIG. 1

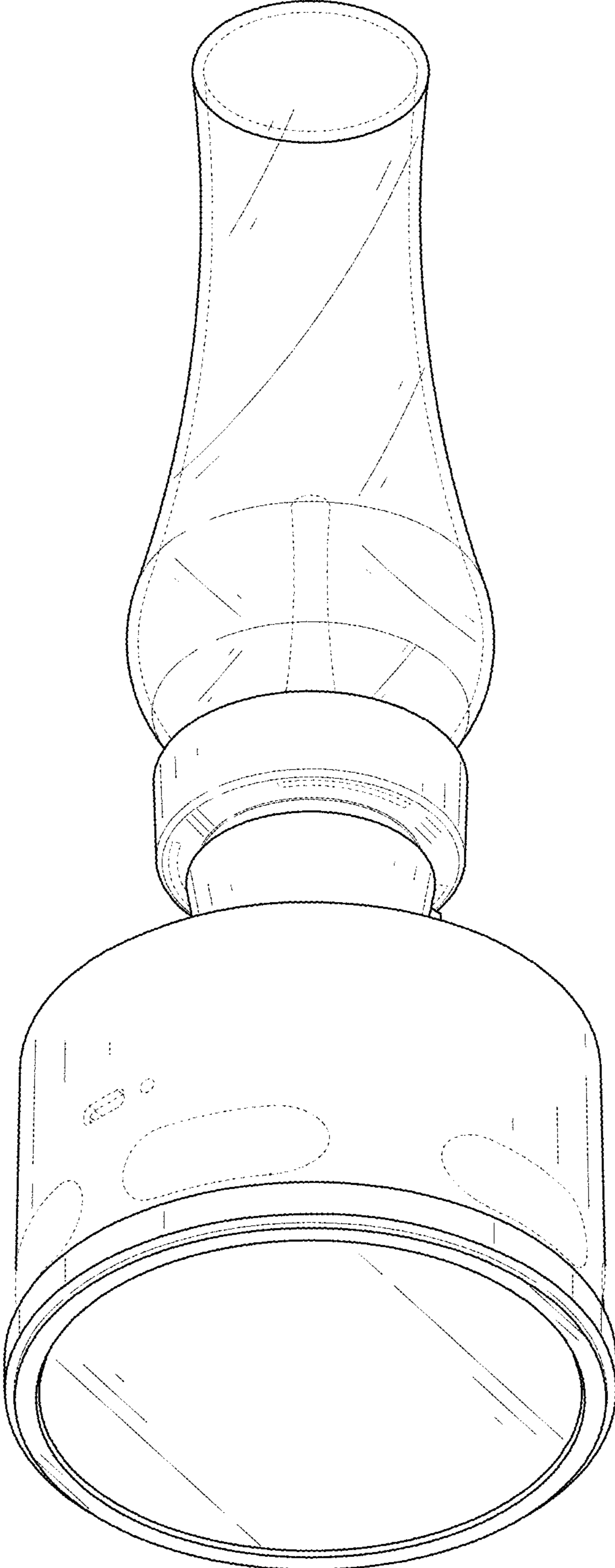


FIG. 2

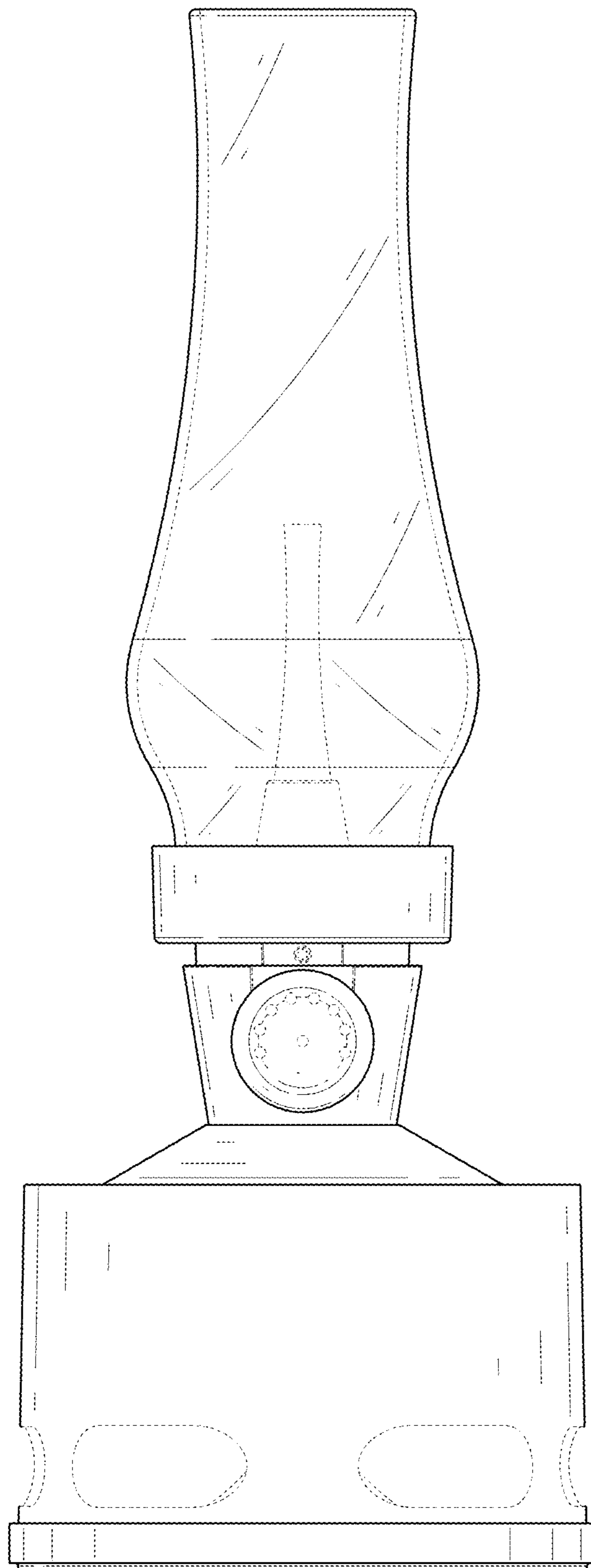


FIG. 3

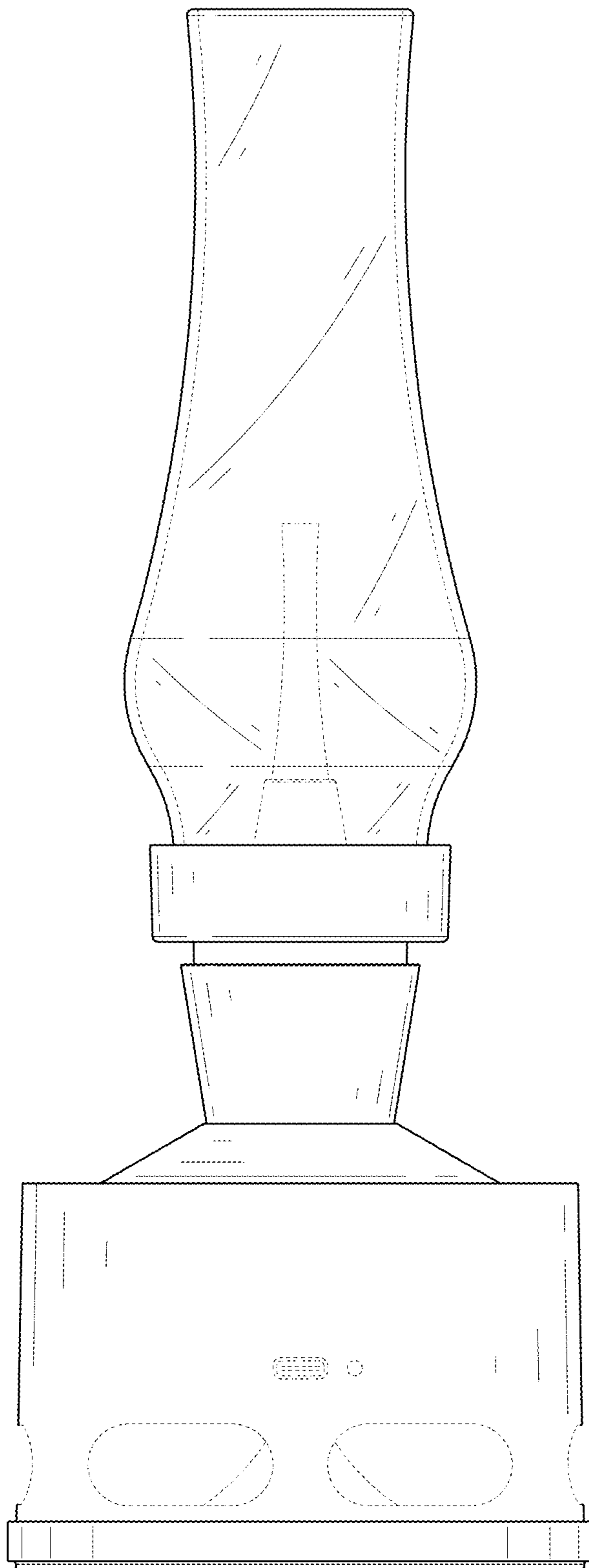


FIG. 4

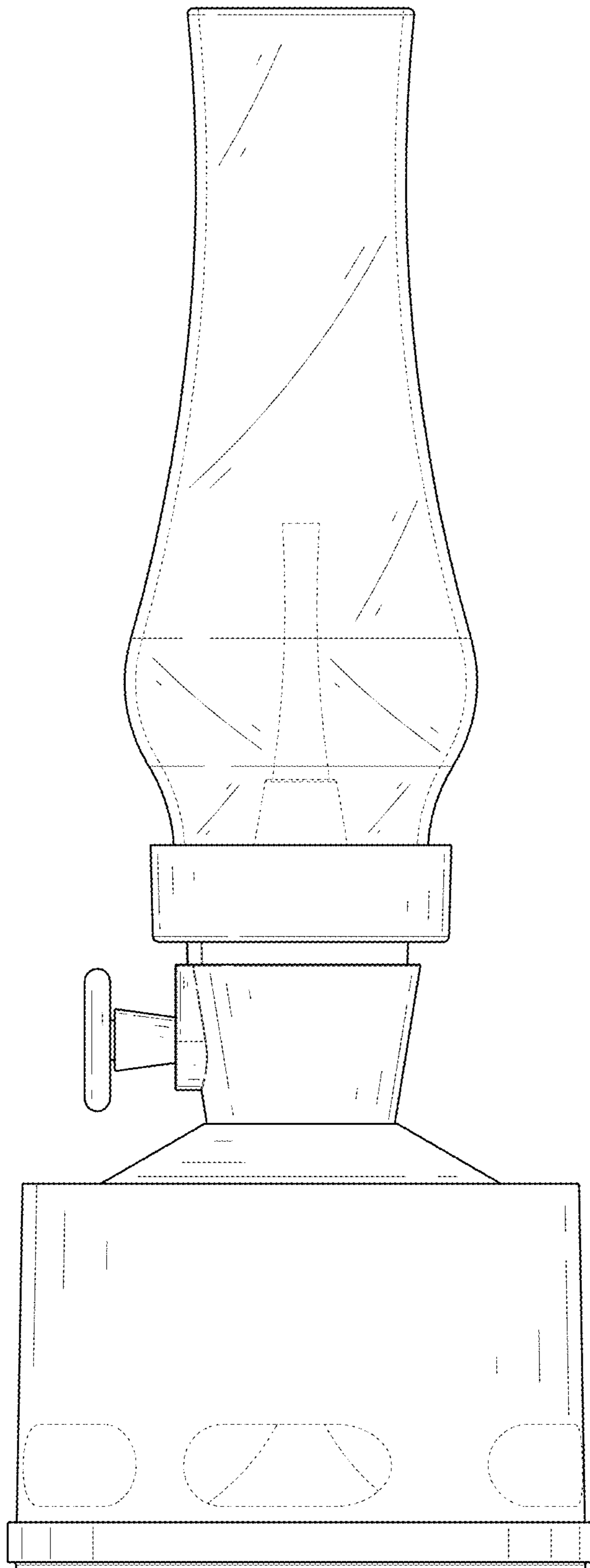


FIG. 5

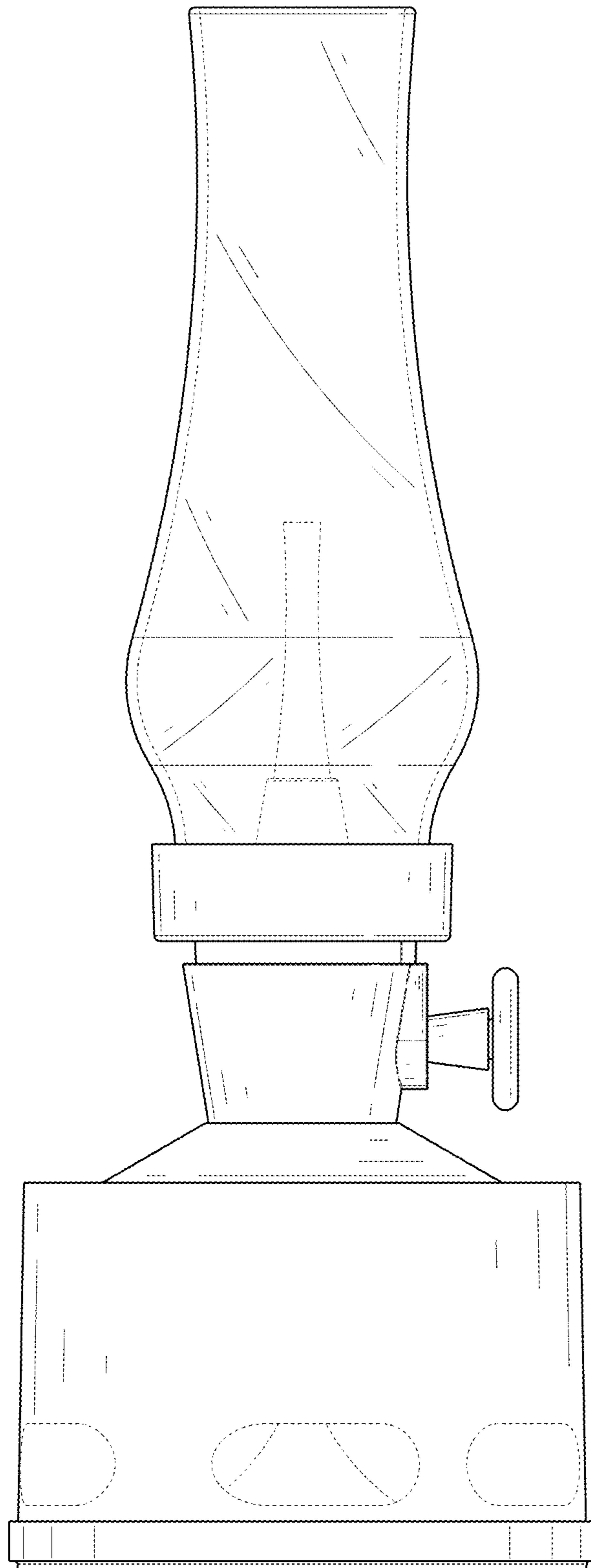


FIG. 6

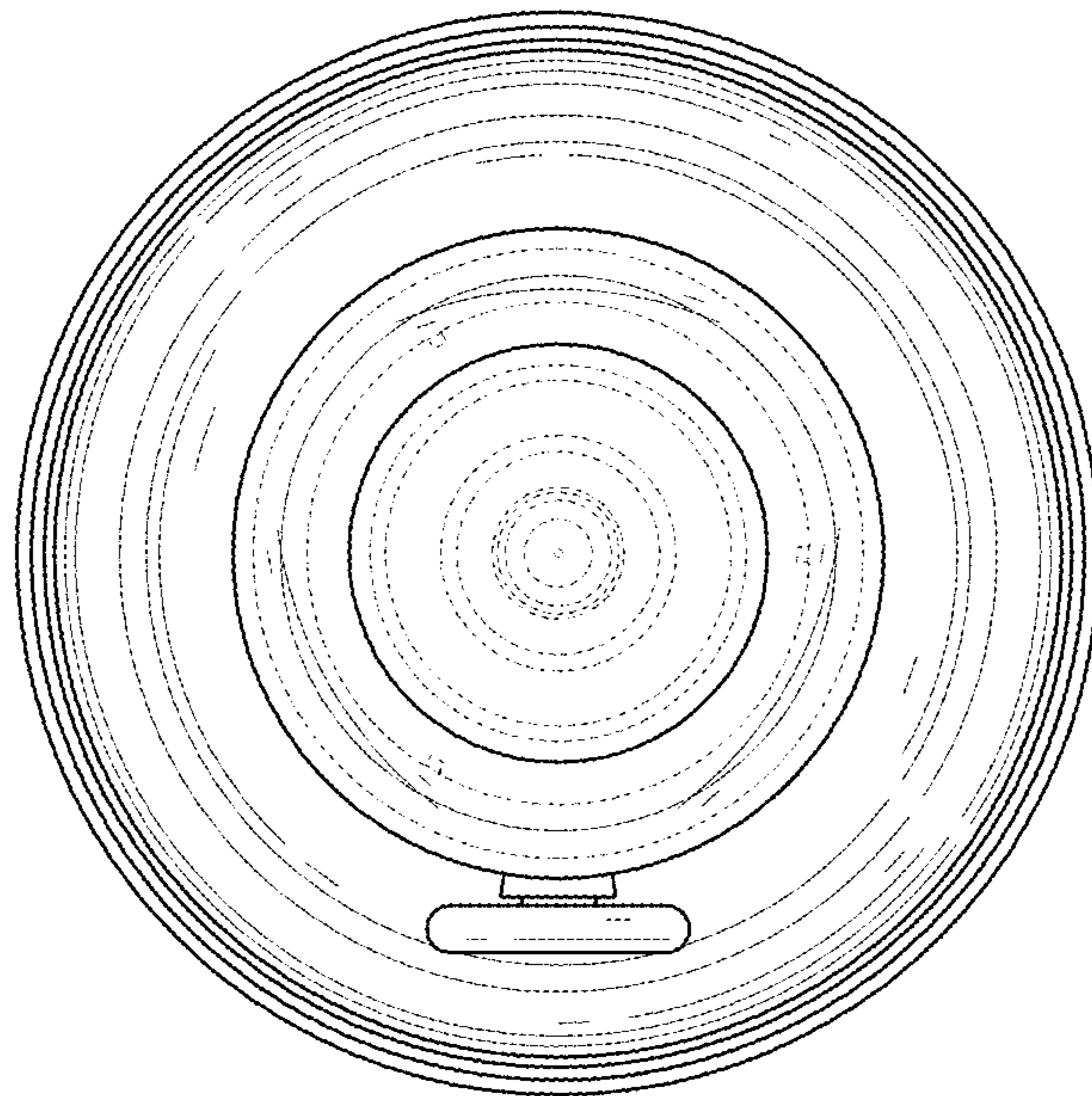


FIG. 7

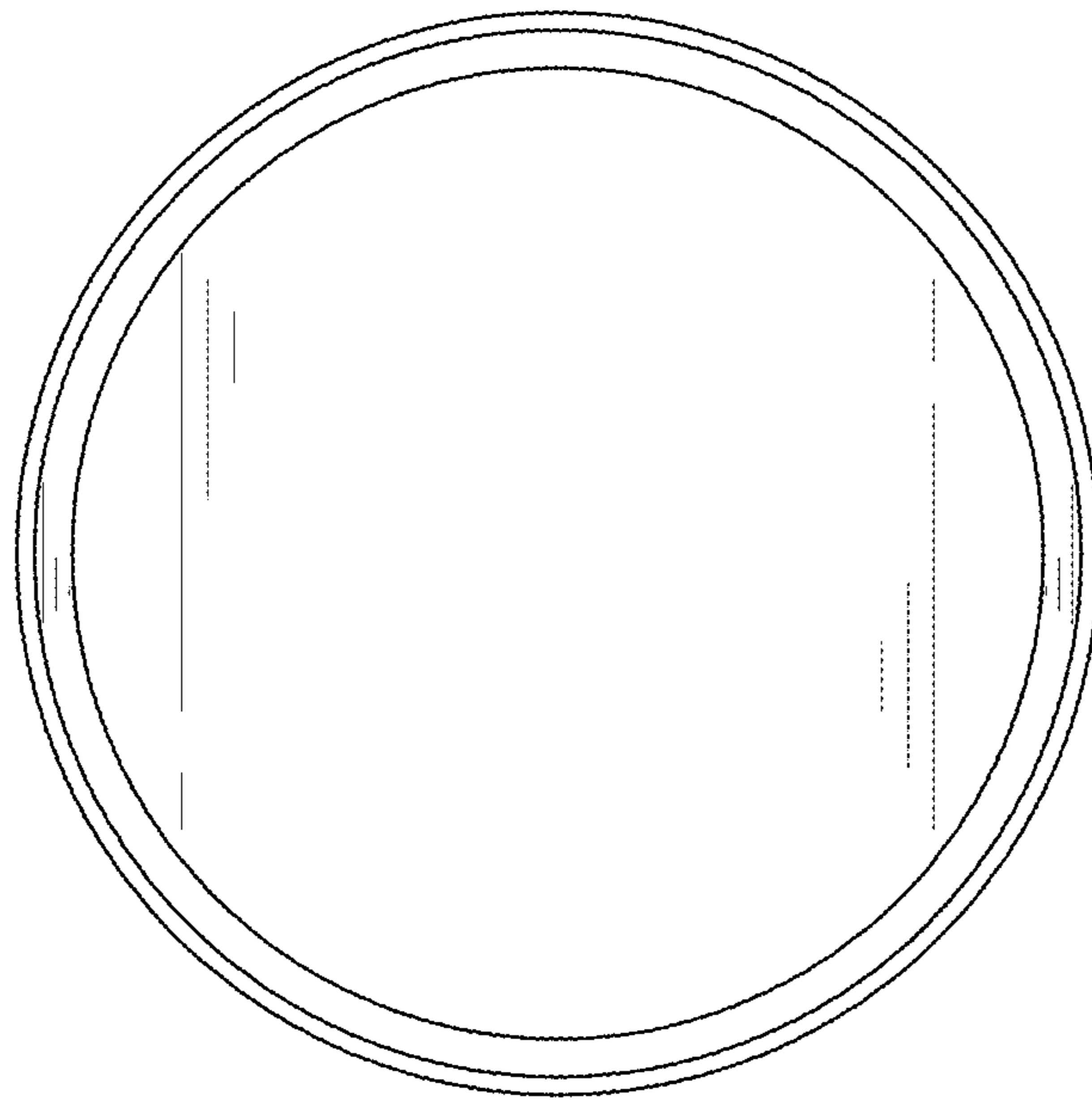


FIG. 8