



US00D947440S

(12) **United States Design Patent**
Pardo et al.

(10) **Patent No.:** **US D947,440 S**
(45) **Date of Patent:** **** Mar. 29, 2022**

(54) **LAMP**

FOREIGN PATENT DOCUMENTS

(71) Applicant: **Pablo, Inc.**, San Francisco, CA (US)

CN 202130590881.8 * 12/2021

(72) Inventors: **Pablo Pardo**, San Francisco, CA (US);
Carmine Deganello, Milan (IT)

OTHER PUBLICATIONS

(73) Assignees: **Pablo, Inc.**, San Francisco, CA (US);
Carmine Deganello, Milan (IT)

Amazon, "AUELEK Rechargeable LED Desk Lamp", first available May 16, 2019. (<https://www.amazon.de/dp/B07QKXWR95/>) (Year: 2019).*

(**) Term: **15 Years**

Amazon, "Livarno Lux LED Table Lamp", first available Jun. 30, 2019. (<https://www.amazon.de/-/en/LIVARNO-Table-Clock-Battery-Display/dp/B07TRPIL55/>) (Year: 2019).*

(21) Appl. No.: **29/728,702**

Instagram, "pablodesignsf", first available Jul. 23, 2020. (https://www.instagram.com/p/CC_QbTEjQhy/) (Year: 2020).*

(22) Filed: **Mar. 20, 2020**

Amazon, "Aigostar LED Desk Lamp", first available Jul. 27, 2021. (<https://www.amazon.de/dp/B07WV29SGQ/?th=1>) (Year: 2021).*

(51) **LOC (13) Cl.** **26-05**

U.S. Appl. No. 29/711,209, filed Oct. 29, 2019, Pablo, Inc.

(52) **U.S. Cl.**

* cited by examiner

USPC **D26/107**

(58) **Field of Classification Search**

Primary Examiner — Lauren D McVey

USPC D26/1, 2, 3, 24, 61, 93, 106, 107

Assistant Examiner — Justin A Johnson

CPC F21L 2/00; F21S 2/00; F21S 6/00; F21S

(74) *Attorney, Agent, or Firm* — United IP Counselors, LLC

6/002; F21S 6/003

(57) **CLAIM**

See application file for complete search history.

The ornamental design for a lamp, as shown and described.

(56) **References Cited**

DESCRIPTION

U.S. PATENT DOCUMENTS

FIG. 1 is a perspective view of a lamp, illustrating my new design;

D674,128 S *	1/2013	McCoy	D26/93
D792,015 S *	7/2017	Xiao	D26/106
D850,686 S *	6/2019	Wang	D26/60
D858,835 S *	9/2019	Xiao	D26/51
D873,463 S *	1/2020	Wang	D26/65
D874,710 S *	2/2020	Tong	D26/93
10,601,973 B1 *	3/2020	Raghunathan	H05K 5/03
D921,950 S *	6/2021	Ye	D26/60
D935,684 S *	11/2021	Wu	D26/107
D937,470 S *	11/2021	Van Duysen	D26/107
2018/0058647 A1 *	3/2018	He	F21V 23/06
2020/0355359 A1 *	11/2020	Pan	H05B 47/105
2021/0254818 A1 *	8/2021	Liu	F21V 21/30

FIG. 2 is a top plan view of the lamp of FIG. 1;

FIG. 3 is a left elevational view of the lamp of FIG. 1;

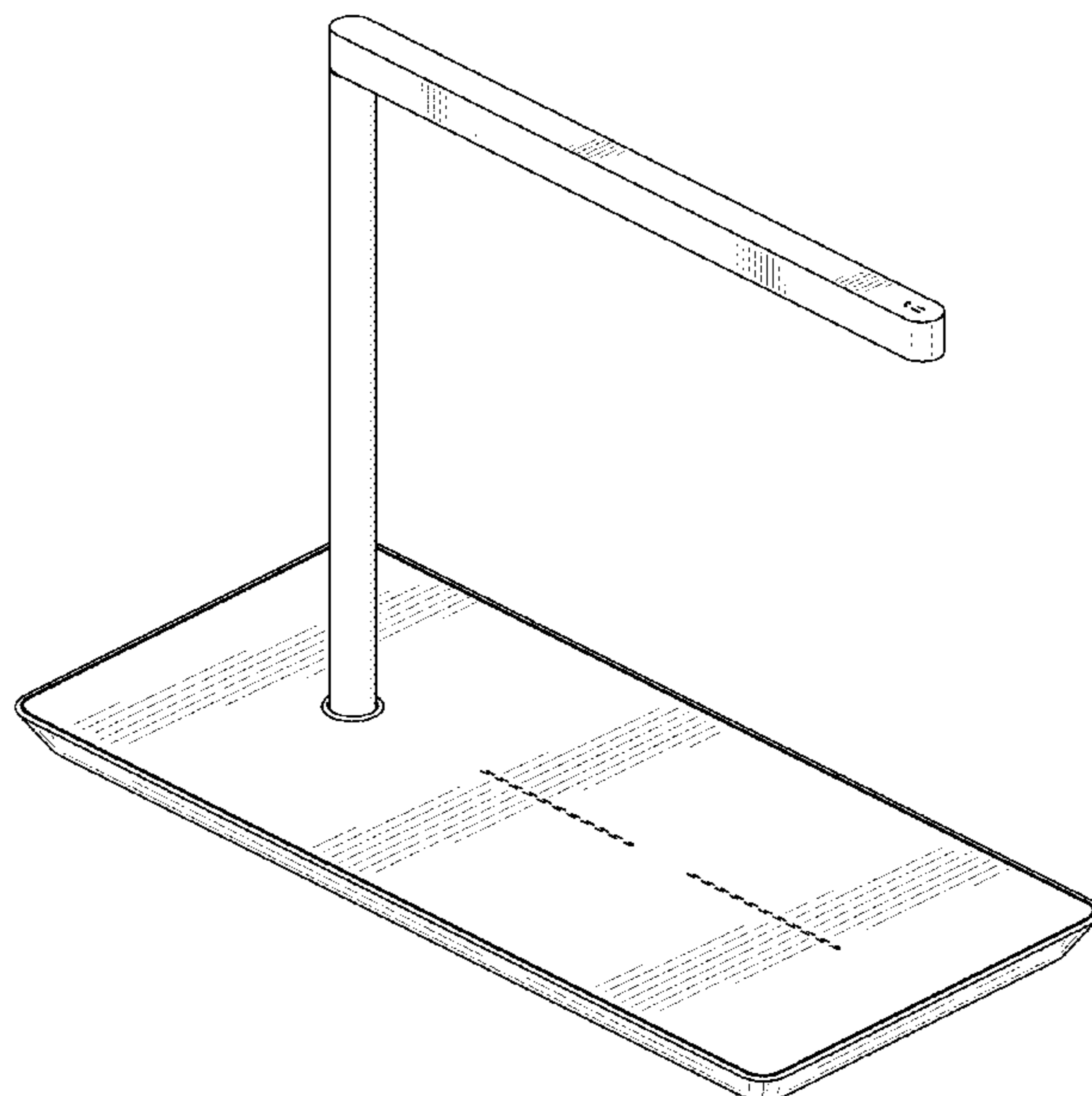
FIG. 4 is a right elevational view of the lamp of FIG. 1;

FIG. 5 is a front elevational view of the lamp of FIG. 1; and,

FIG. 6 is a rear elevational view of the lamp of FIG. 1.

In the figures, the unshaded areas enclosed by broken lines form no part of the claim. All other broken lines represent environmental structure which also forms no part of the claim.

1 Claim, 5 Drawing Sheets



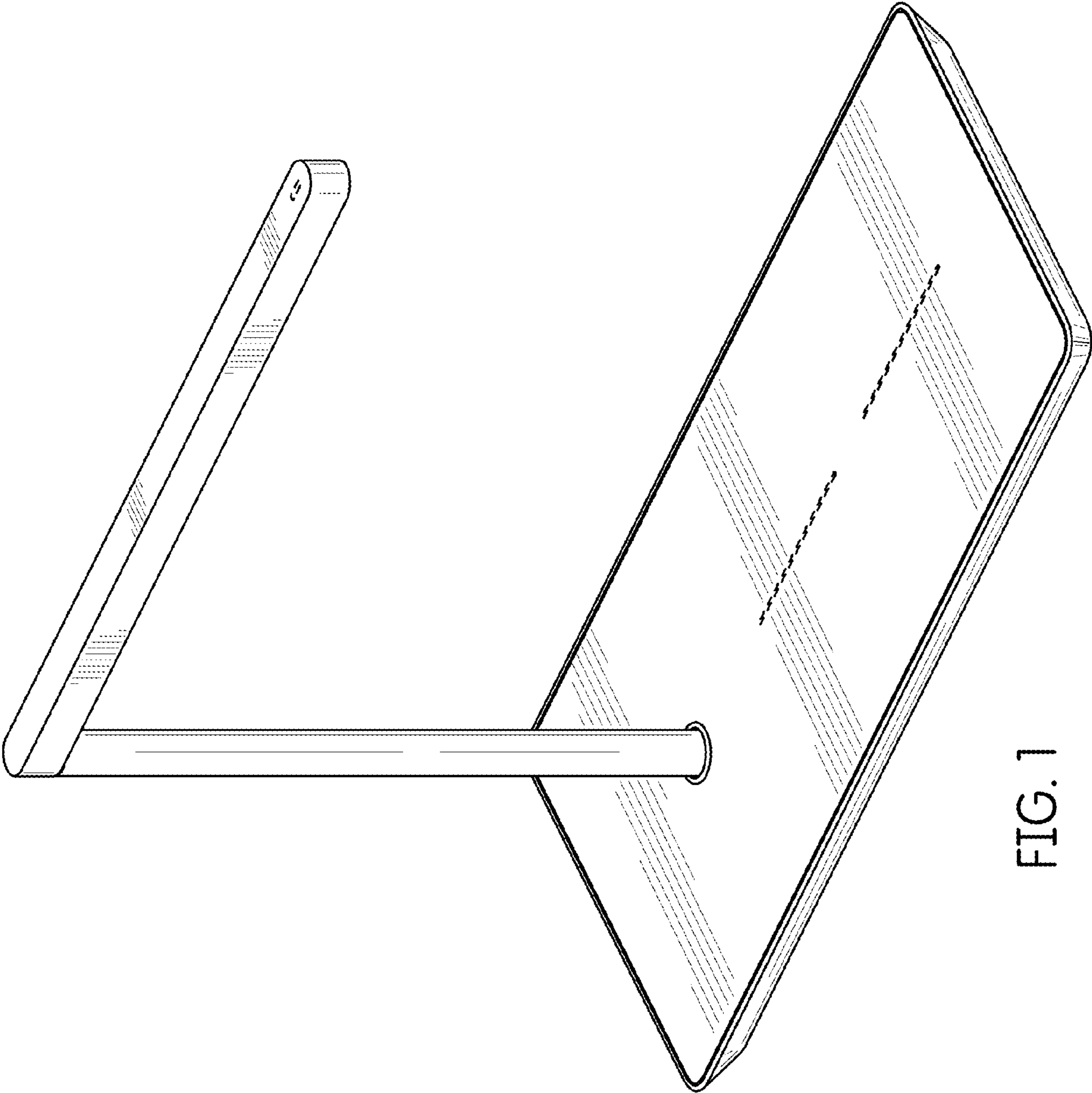


FIG. 1

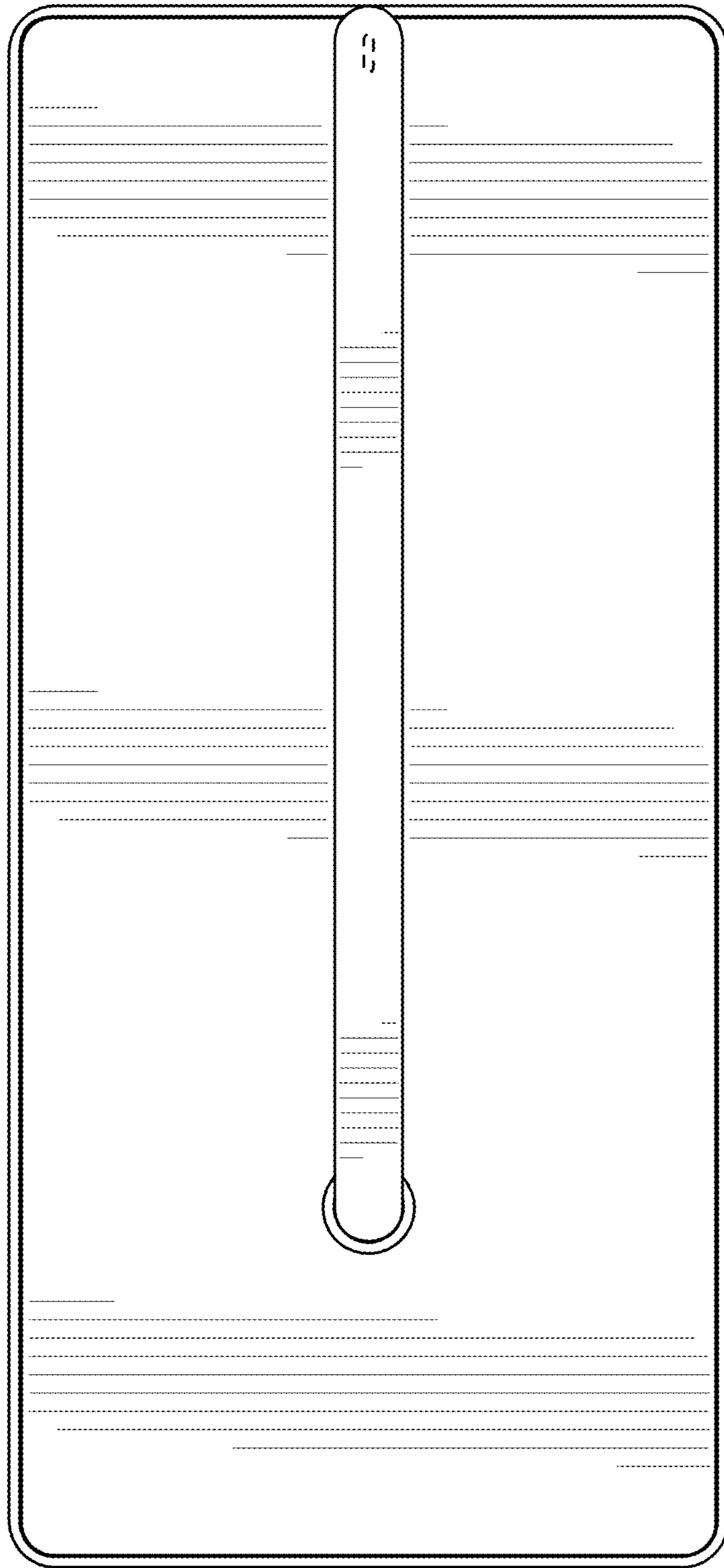


FIG. 2

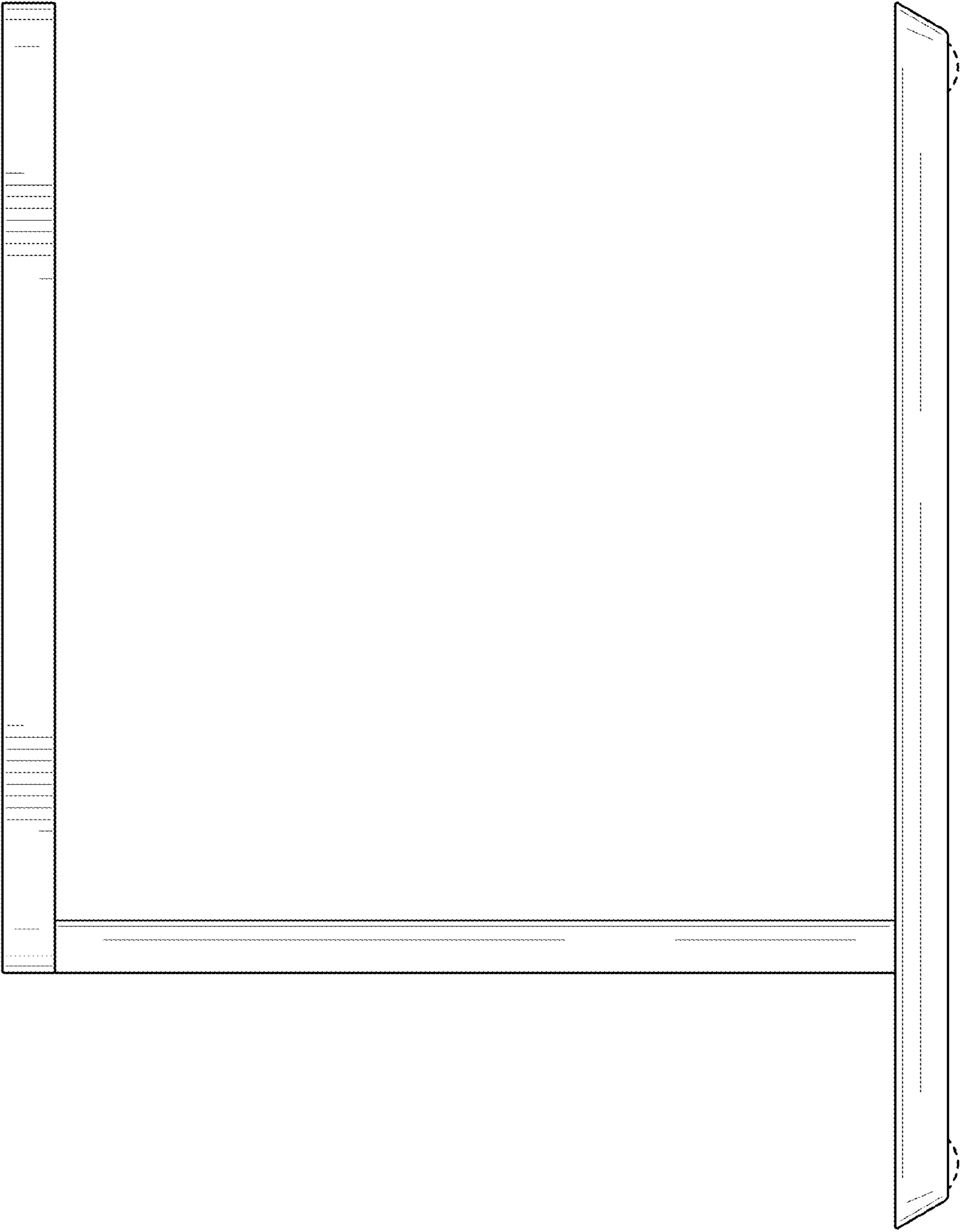


FIG. 3

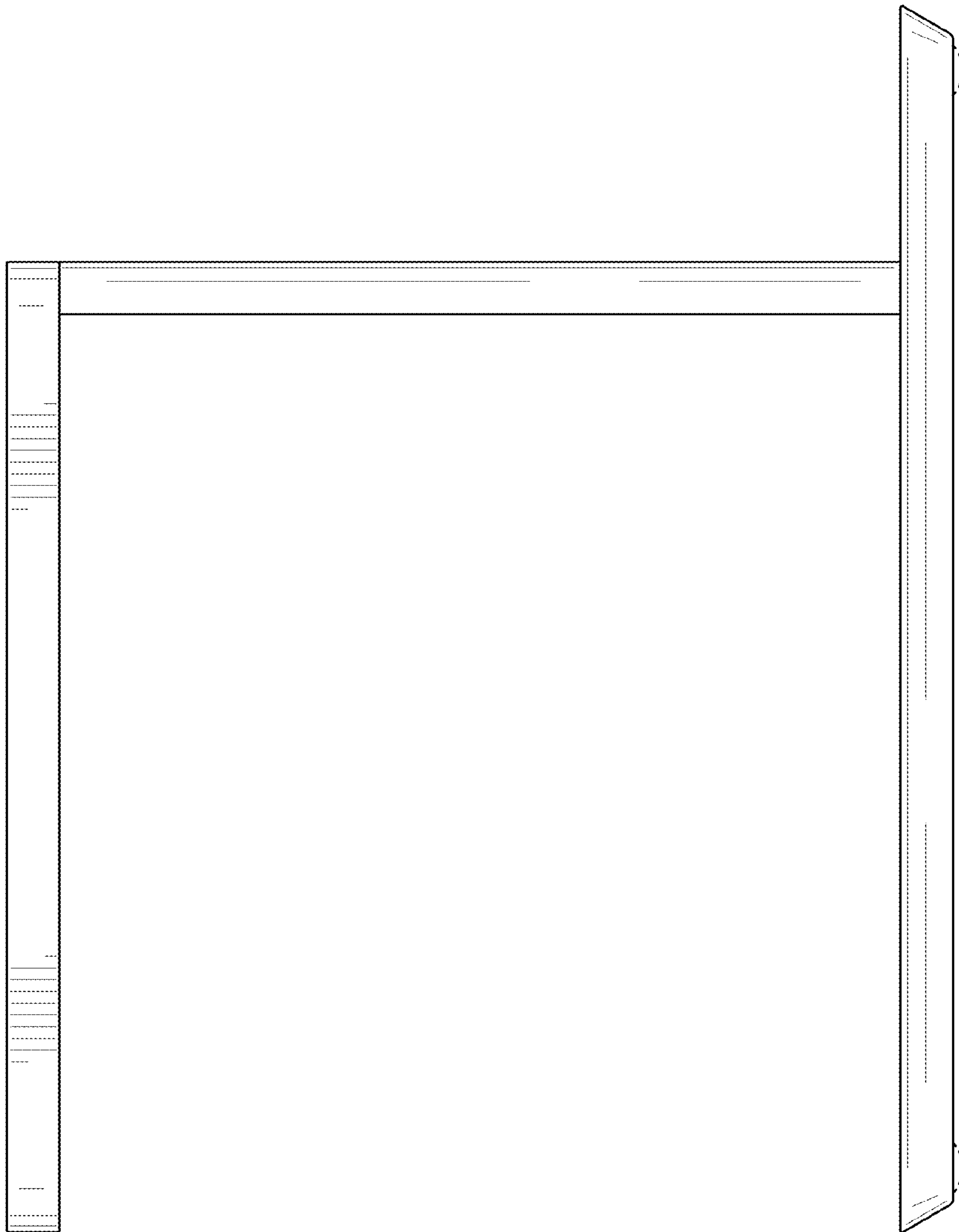


FIG. 4

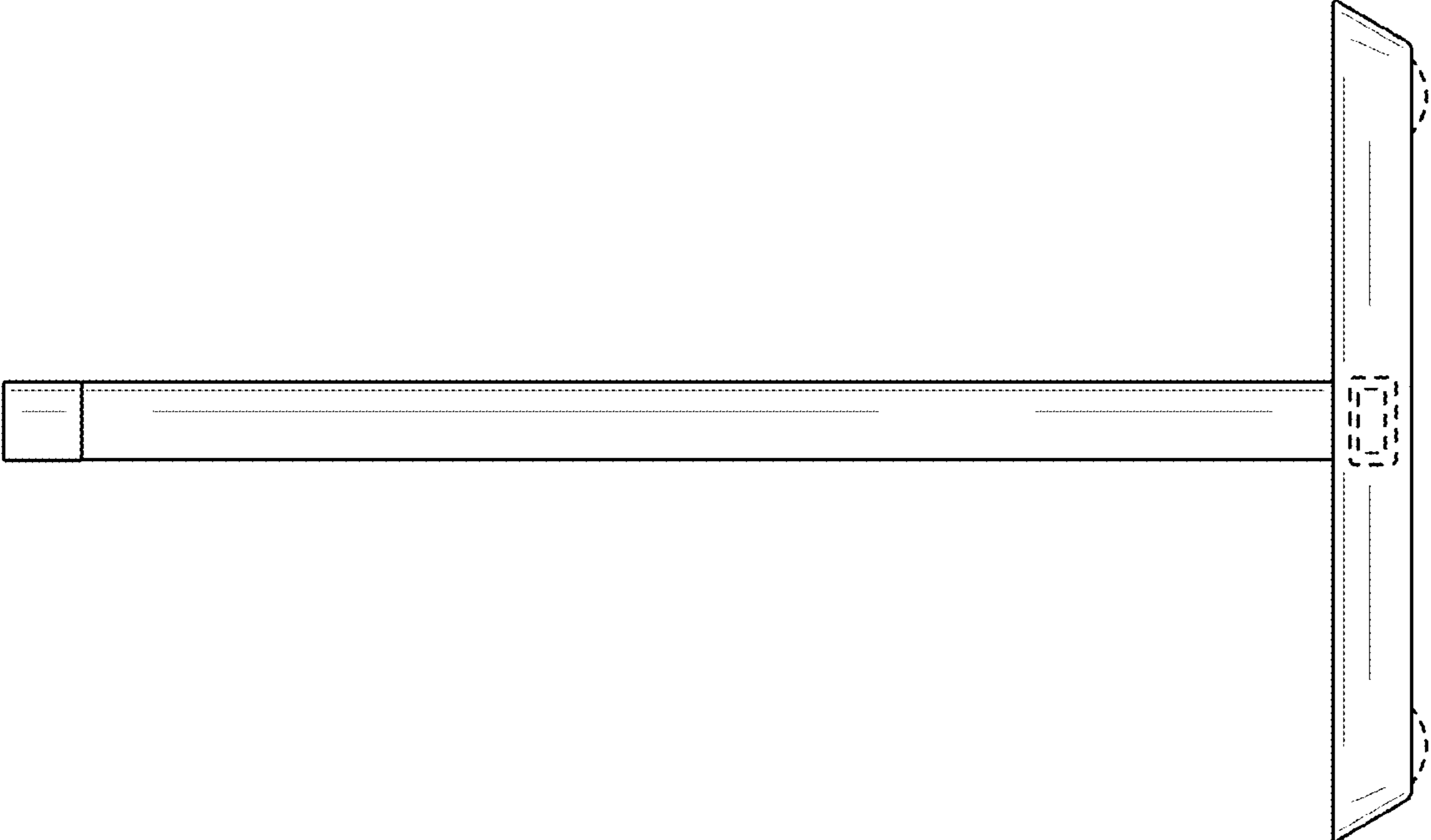


FIG. 6

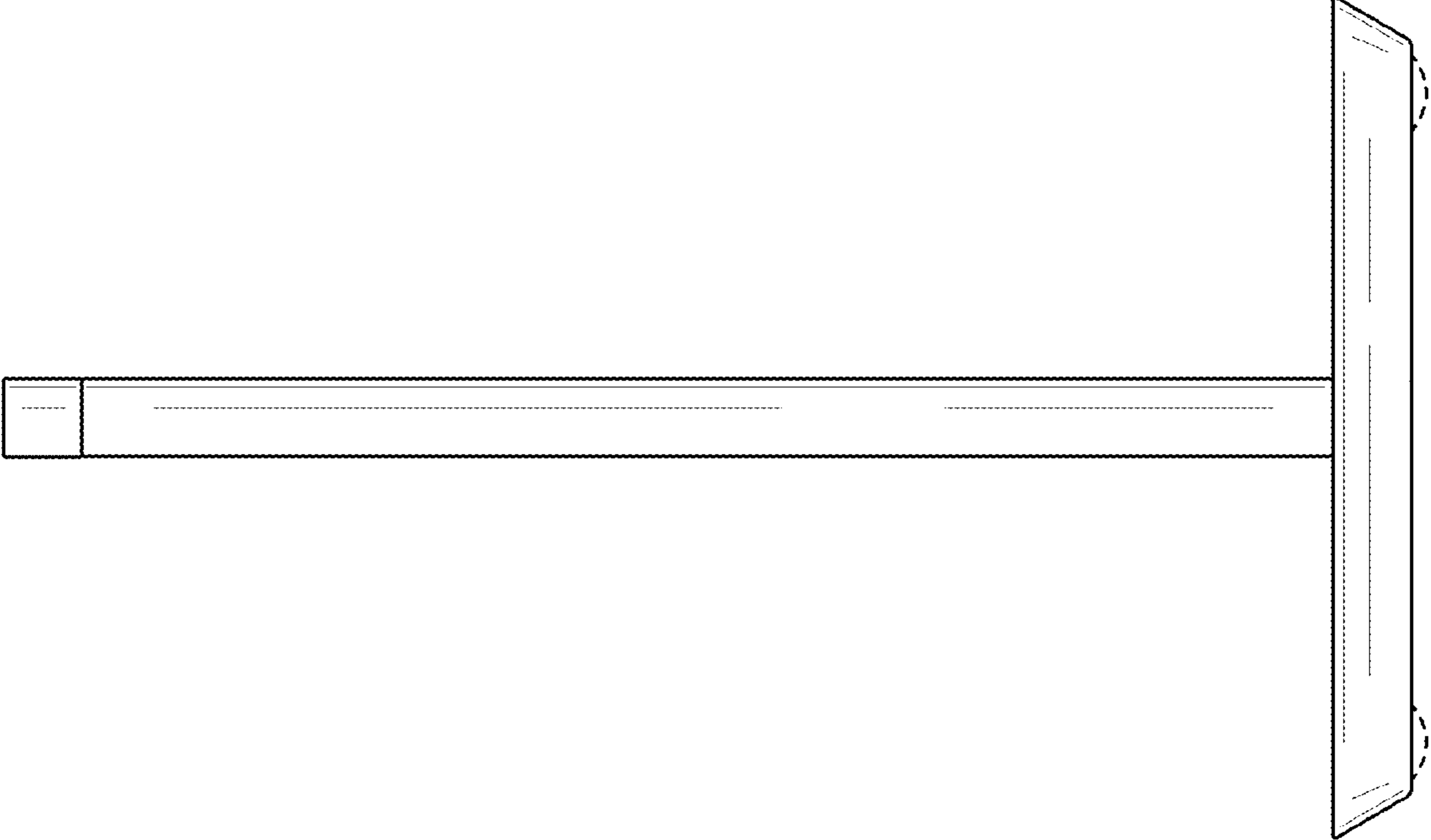


FIG. 5