



US00D947439S

(12) **United States Design Patent**  
**Weiss et al.**

(10) **Patent No.:** **US D947,439 S**  
(45) **Date of Patent:** **\*\* Mar. 29, 2022**

(54) **NIGHTLIGHT**

FOREIGN PATENT DOCUMENTS

(71) Applicant: **Hatch Baby, Inc.**, Menlo Park, CA (US)

JP D2019-18524 \* 1/2020

(72) Inventors: **David Weiss**, Menlo Park, CA (US);  
**Ann Crady Weiss**, Menlo Park, CA (US); **Martin Schnitzer**, San Francisco, CA (US)

OTHER PUBLICATIONS

Amazon, "Philips SmartSleep HF3500/60 Wake-Up Light Therapy Alarm Clock", first available Aug. 24, 2013. (<https://www.amazon.com/Philips-Wake-Up-Simulation-HF3500-60/dp/B00F0W1RIW/>) (Year: 2013).\*

(73) Assignee: **Hatch Baby, Inc.**, Menlo Park, CA (US)

(Continued)

(\*\*) Term: **15 Years**

*Primary Examiner* — Lauren D McVey

*Assistant Examiner* — Justin A Johnson

(21) Appl. No.: **29/731,206**

(74) *Attorney, Agent, or Firm* — Levine Bagade Han LLP

(22) Filed: **Apr. 13, 2020**

(51) **LOC (13) Cl.** ..... **26-05**

(52) **U.S. Cl.**  
USPC ..... **D26/106**

(58) **Field of Classification Search**  
USPC ..... D26/1, 2, 3, 24, 26, 72, 93, 104, 105, D26/106, 108, 109  
CPC ..... F21L 2/00; F21S 2/00; F21S 6/00; F21S 6/002; F21S 6/004; F21S 8/035; F21S 9/00; F21S 9/02  
See application file for complete search history.

(57) **CLAIM**

The ornamental design for a nightlight, as shown and described.

**DESCRIPTION**

FIG. 1 is a perspective view of a first embodiment of a nightlight;  
FIG. 2 is a front view of the nightlight of FIG. 1;  
FIG. 3 is a rear view of the nightlight of FIG. 1;  
FIG. 4 is a right side view of the nightlight of FIG. 1;  
FIG. 5 is a left side view of the nightlight of FIG. 1;  
FIG. 6 is a top plan view of the nightlight of FIG. 1;  
FIG. 7 is a bottom plan view of the nightlight of FIG. 1;  
FIG. 8 is a perspective view of a second embodiment of a nightlight;  
FIG. 9 is a front view of the nightlight of FIG. 8;  
FIG. 10 is a rear view of the nightlight of FIG. 8;  
FIG. 11 is a right side view of the nightlight of FIG. 8;  
FIG. 12 is a left side view of the nightlight of FIG. 8;  
FIG. 13 is a top plan view of the nightlight of FIG. 8; and,  
FIG. 14 is a bottom plan view of the nightlight of FIG. 8.  
The broken lines immediately adjacent to the shaded areas depict the bounds of the claimed design, while all other broken lines are directed to environment.

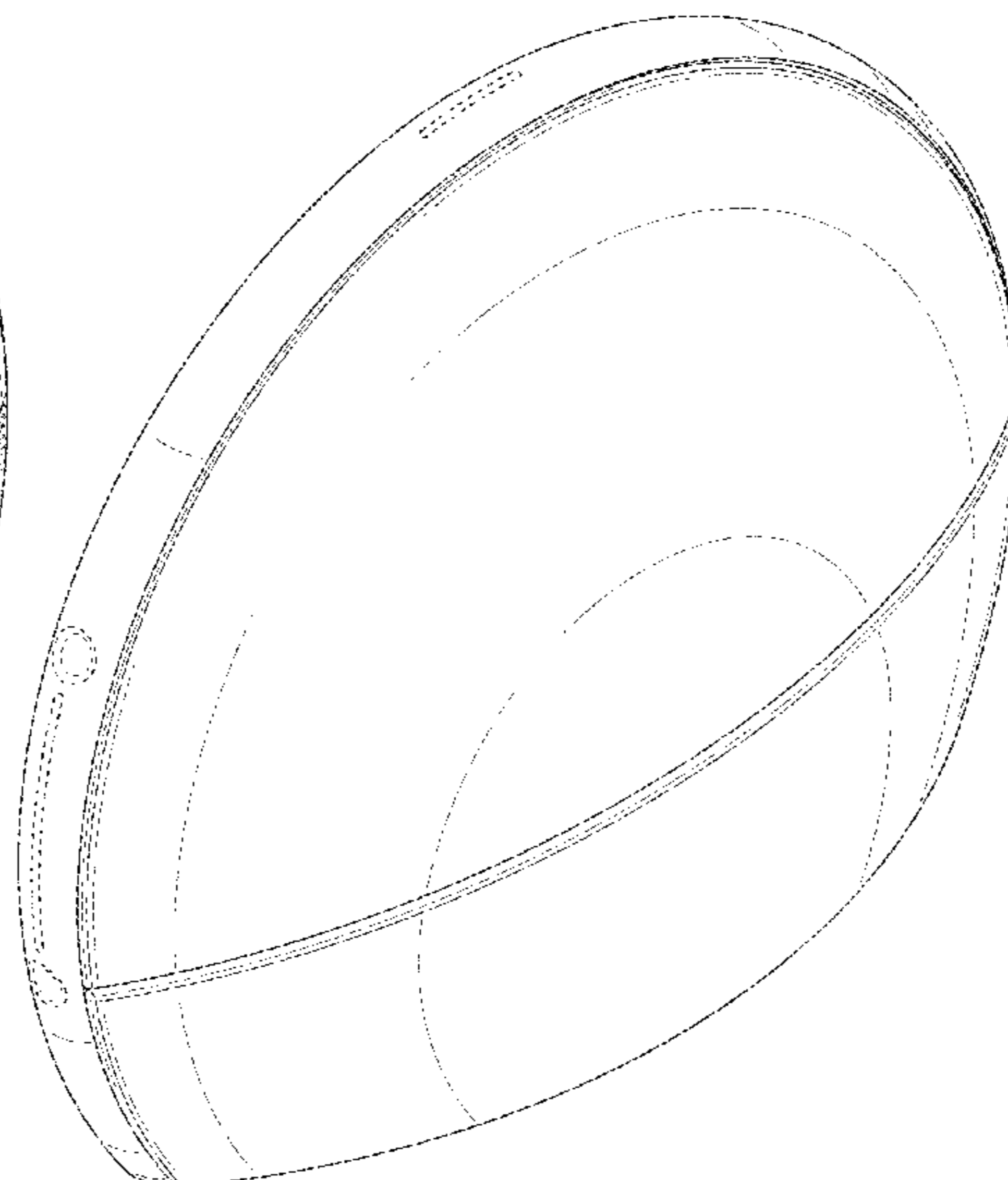
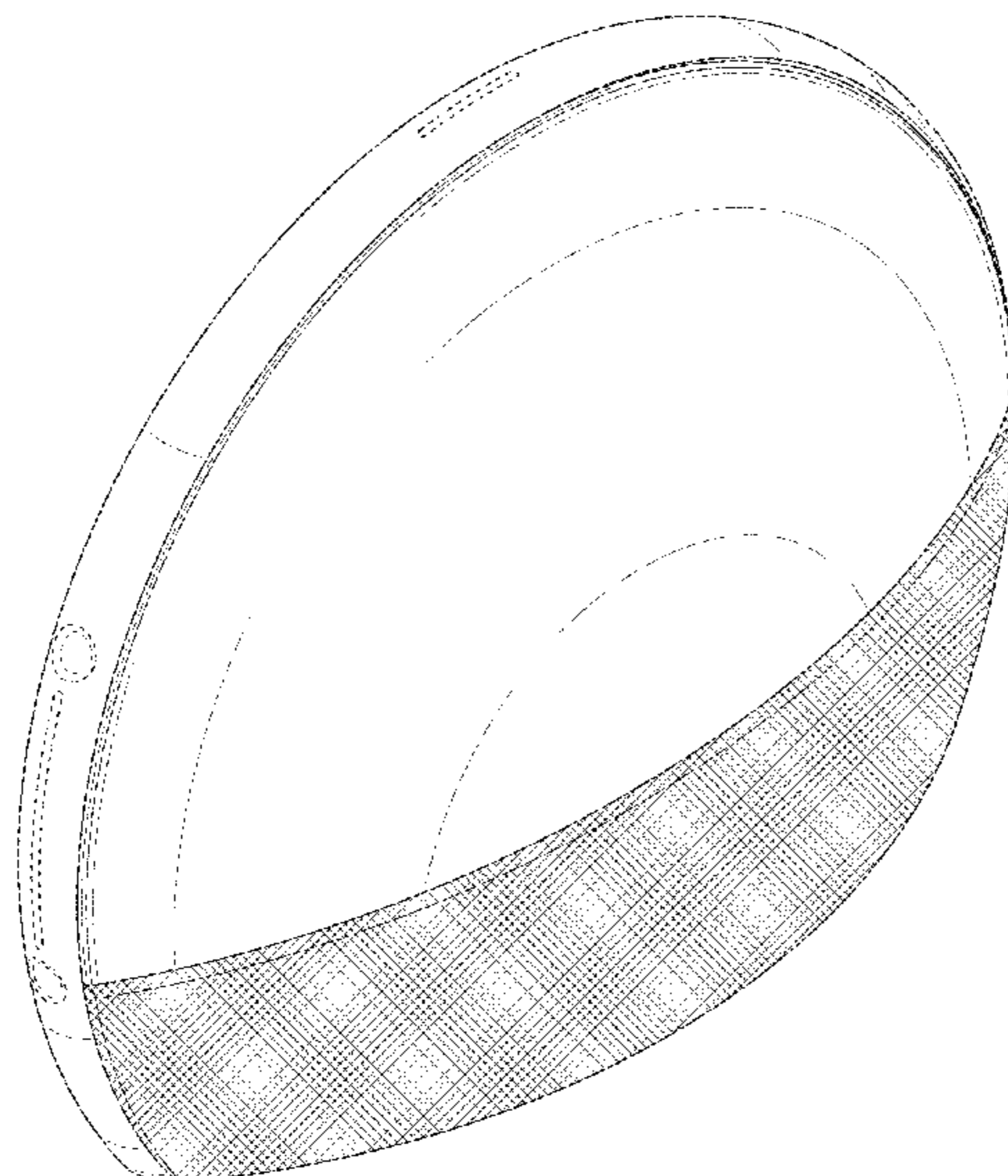
(56) **References Cited**

U.S. PATENT DOCUMENTS

D298,468 S *	11/1988	Ramella	.....	D26/104
D323,904 S *	2/1992	Camino	.....	D26/128
D447,261 S *	8/2001	Tang	.....	D26/63
D457,667 S *	5/2002	Piepgas	.....	D26/26
D767,812 S *	9/2016	Skira	.....	D26/106
D810,970 S *	2/2018	Thompson	.....	D26/26
D876,677 S *	2/2020	Chen	.....	D26/26
D881,886 S *	4/2020	Bidwell	.....	D14/420
D888,687 S *	6/2020	Xu	.....	D14/216

(Continued)

**1 Claim, 12 Drawing Sheets**



(56)

**References Cited**

U.S. PATENT DOCUMENTS

D911,420 S \* 2/2021 Silva Casas ..... D16/237  
D911,597 S \* 2/2021 Harmon ..... D26/118  
D917,416 S \* 4/2021 DeMaio ..... D14/171  
D924,465 S \* 7/2021 Zhang ..... D26/93

OTHER PUBLICATIONS

Amazon, "Wake Up Light Sunrise Alarm Clock", first available Nov. 1, 2019. (<https://www.amazon.com/dp/B081CHLF46/>) (Year: 2019).\*

Amazon, "Sunrise Alarm Clock Wake up Light", first available Feb. 4, 2020. (<https://www.amazon.ca/dp/B081W7P8TS/>) (Year: 2020).\*

Engadget.com, "Hatch made a smart sleep light to help adults rest better", first available Jan. 6, 2020. (<https://www.engadget.com/2020-01-05-hatch-restore-smart-sleep-light.html>) (Year: 2020).\*

\* cited by examiner

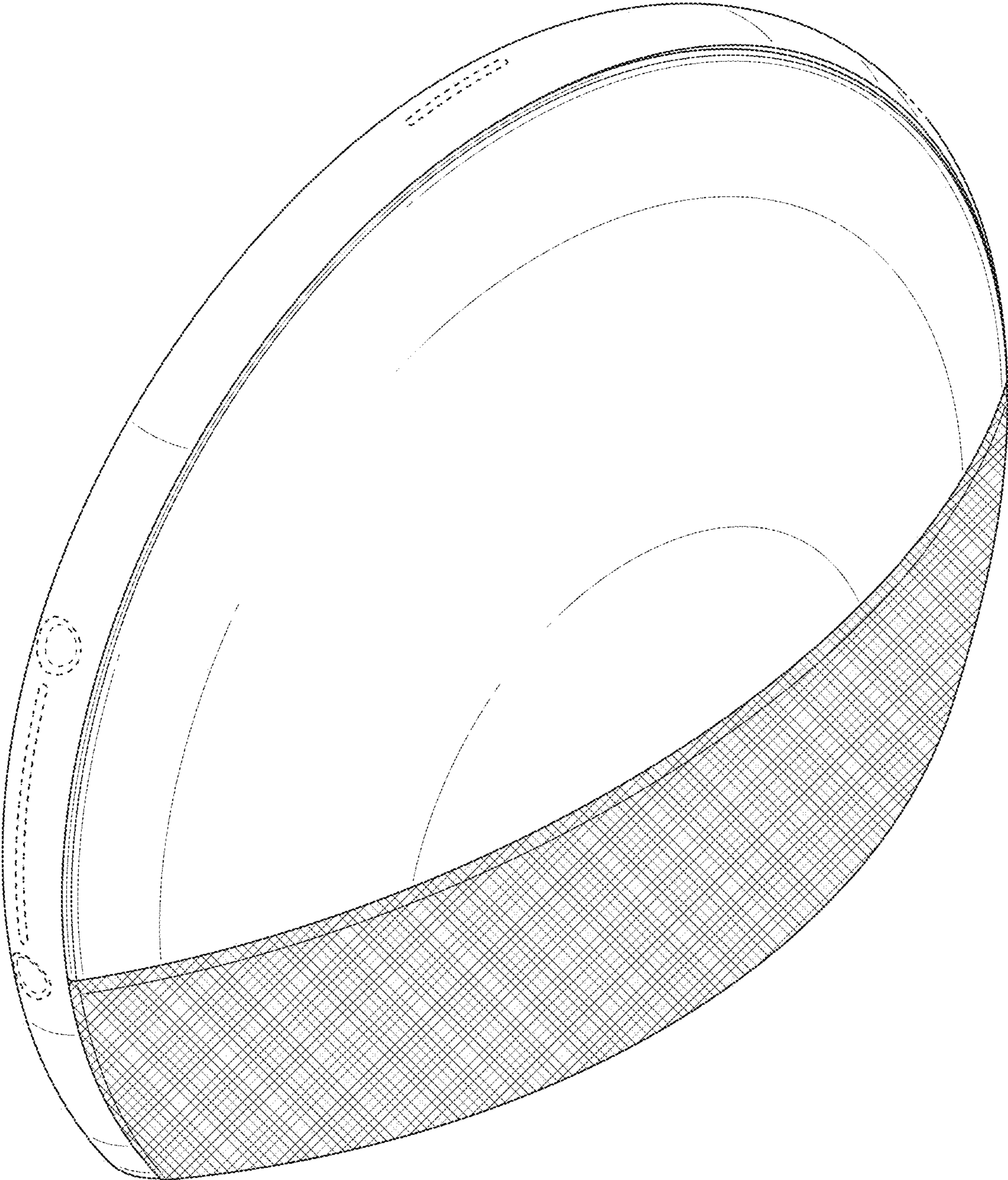


FIG. 1

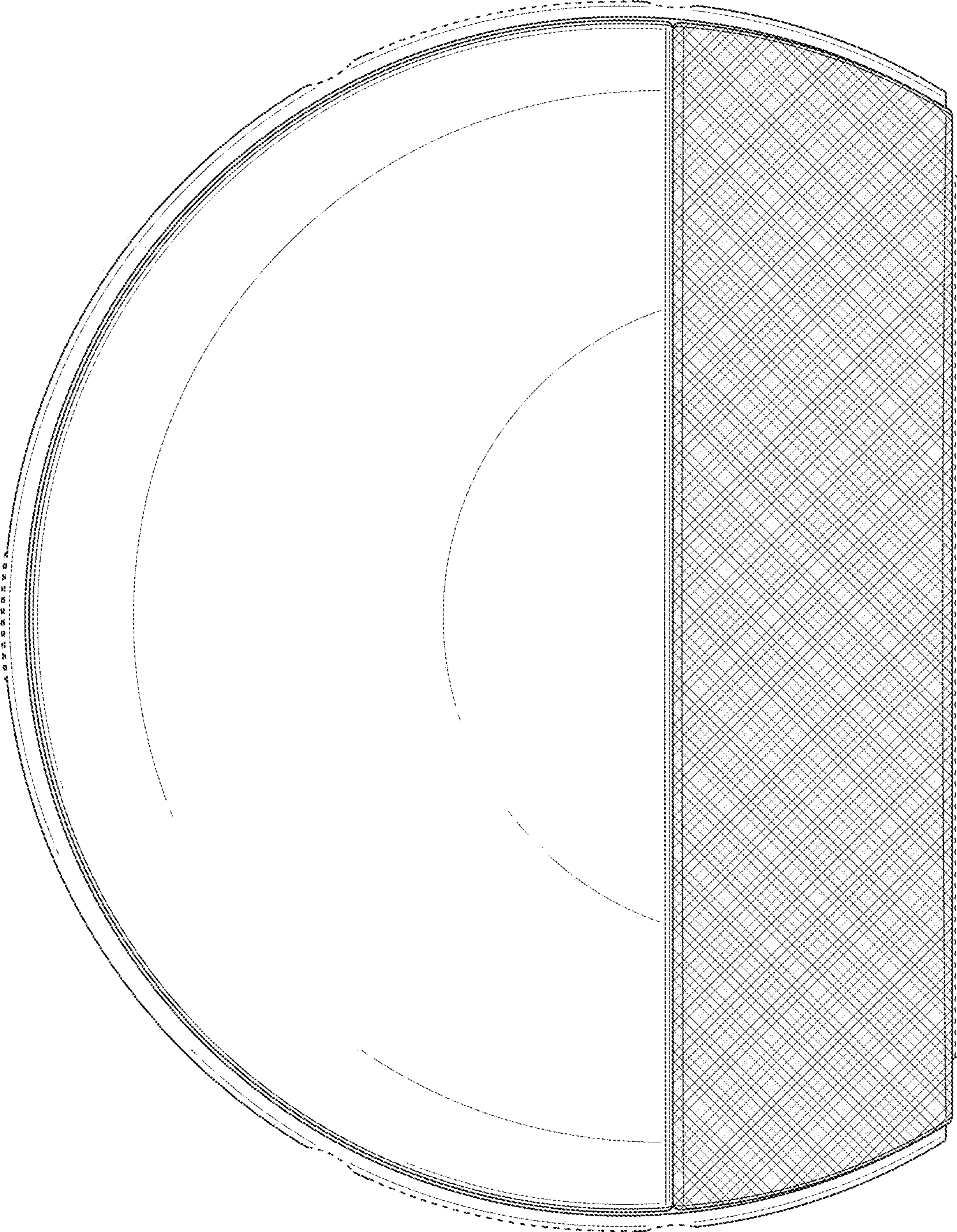


FIG. 2

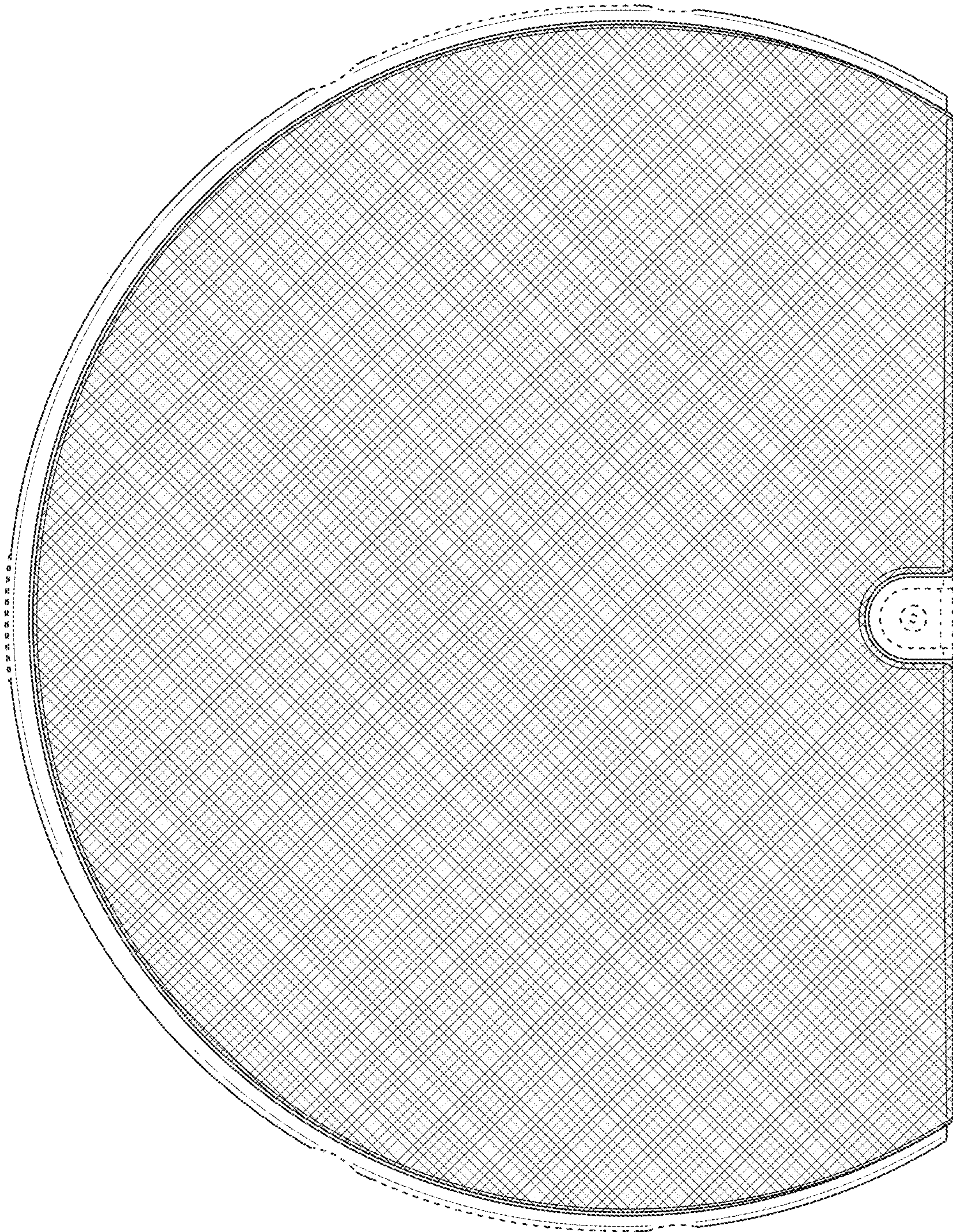


FIG. 3

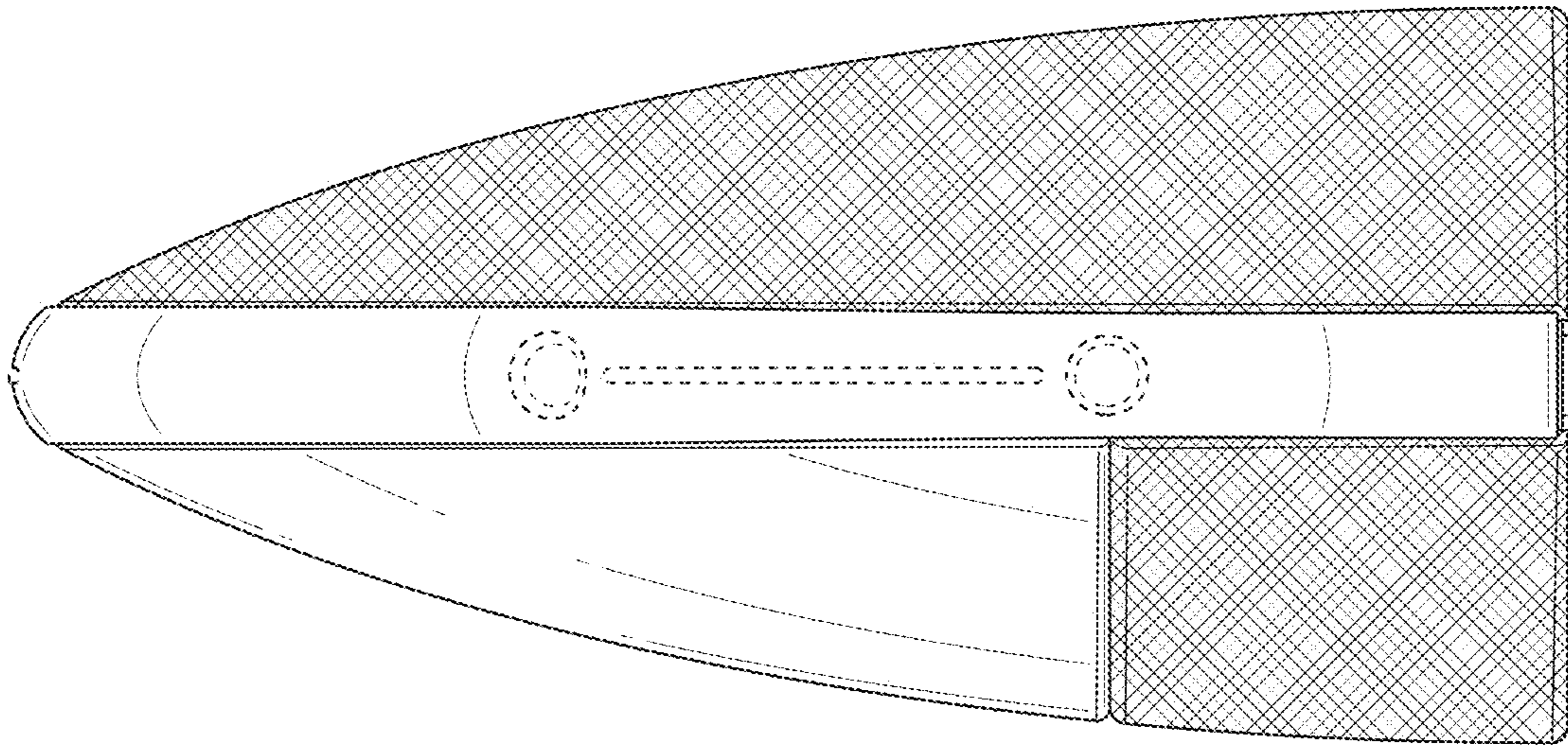


FIG. 5

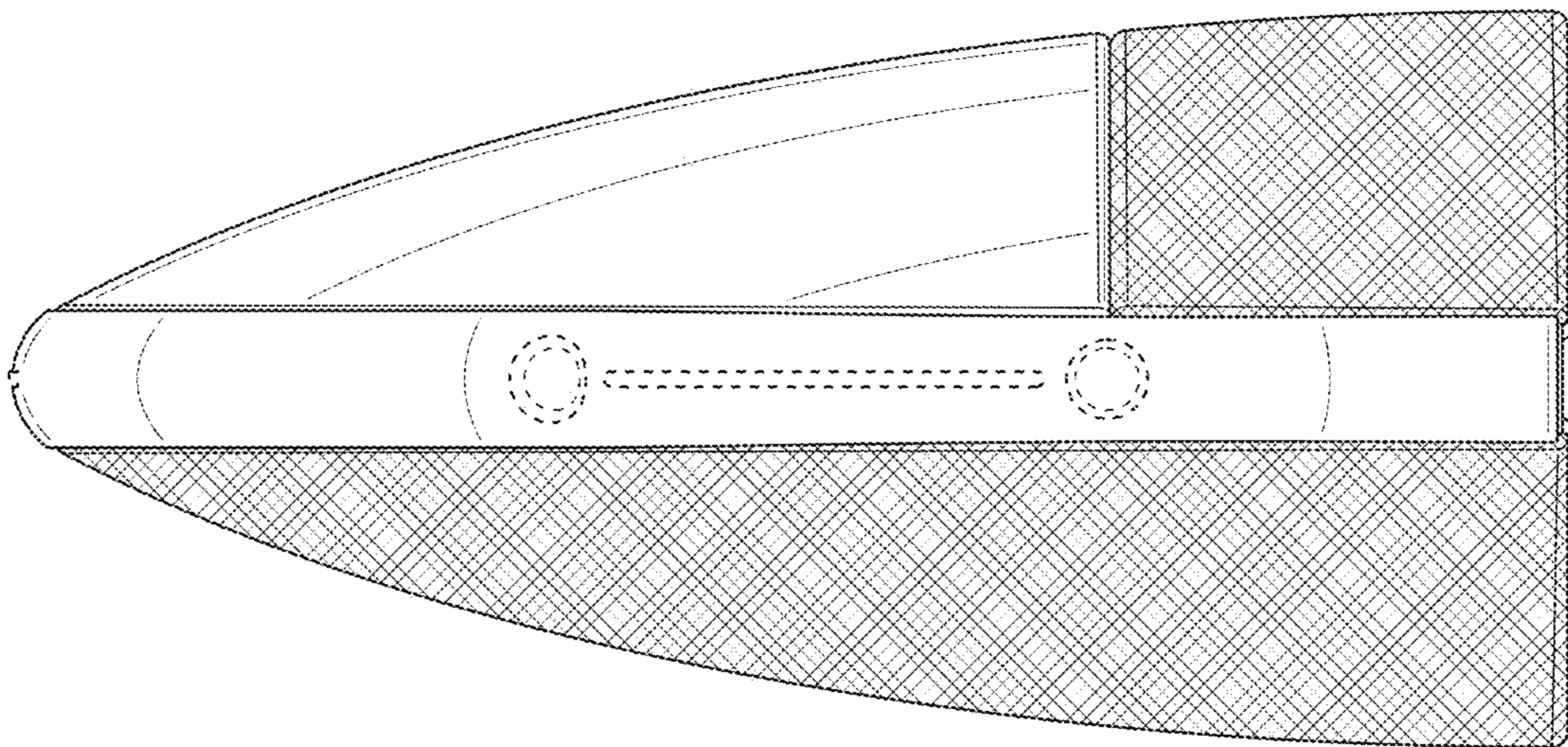


FIG. 4

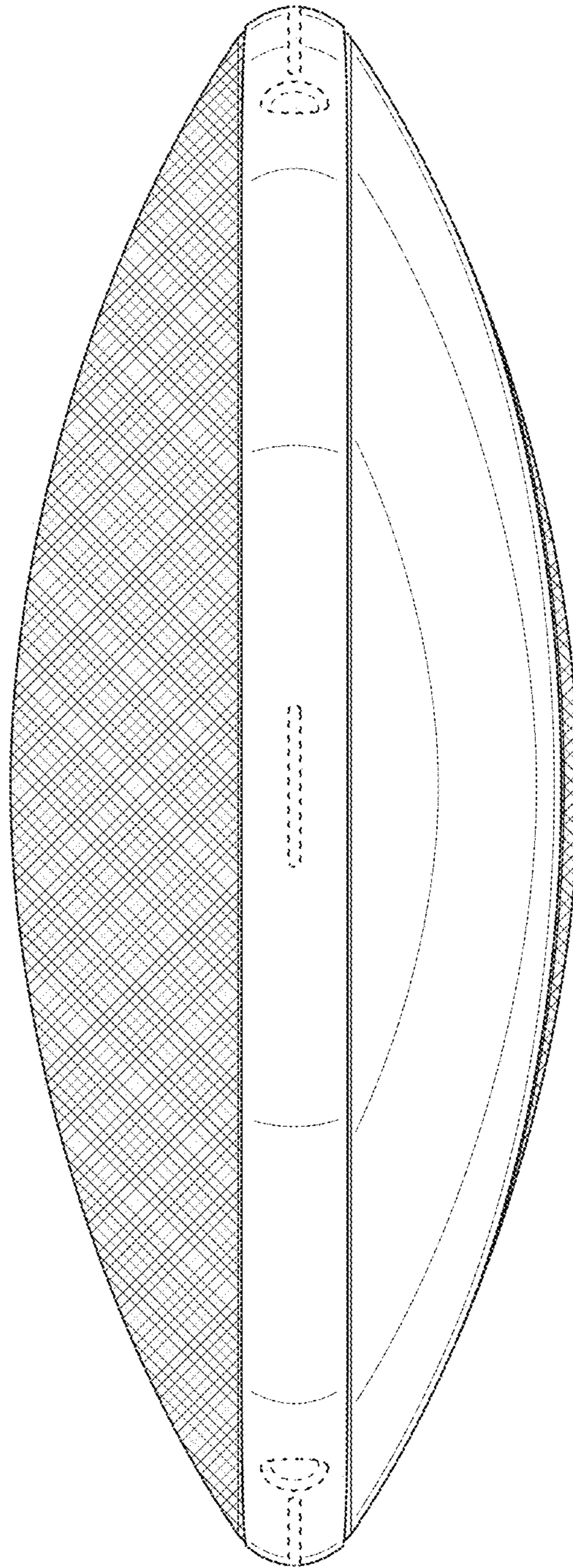


FIG. 6

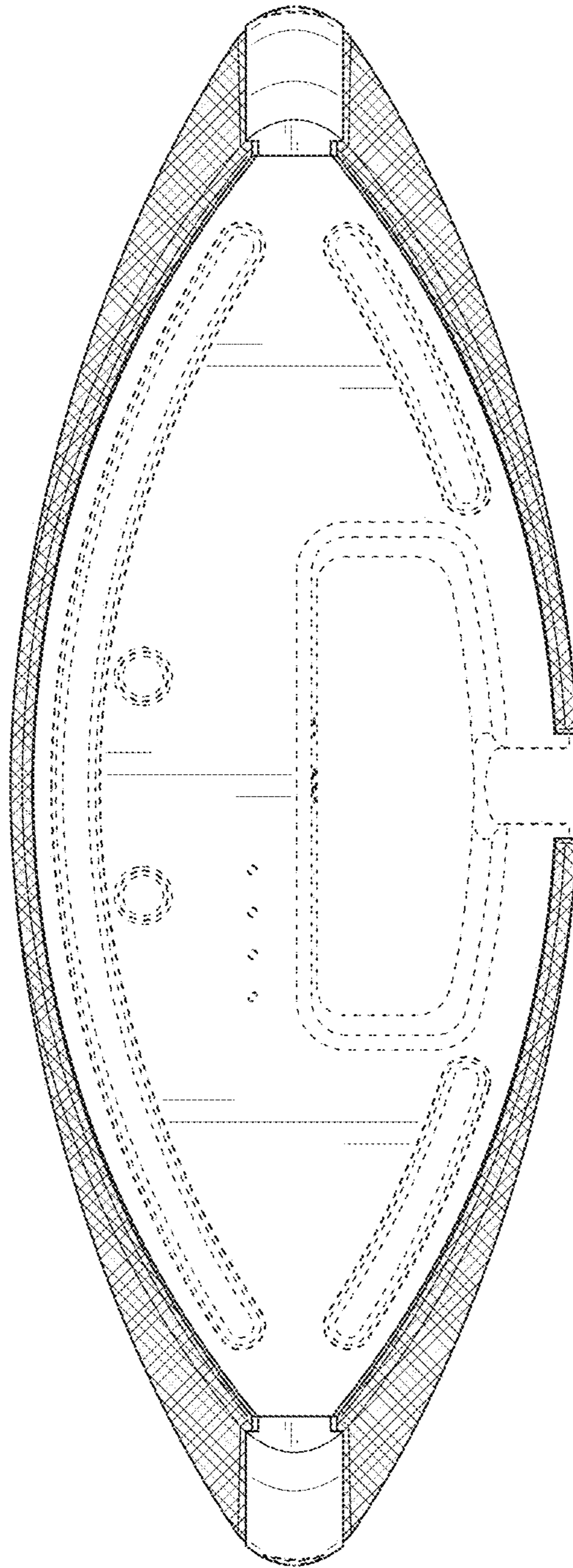


FIG. 7



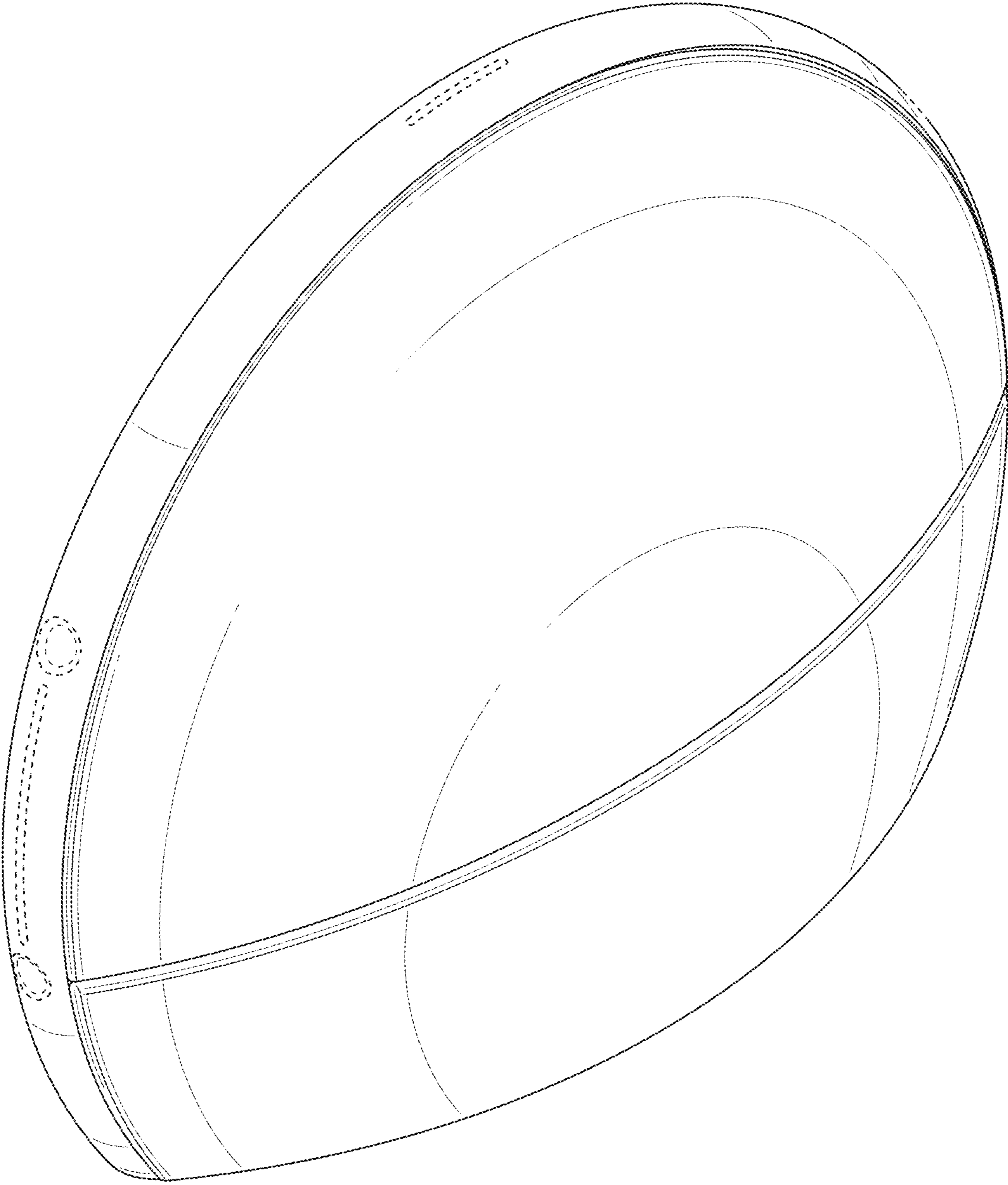


FIG. 8

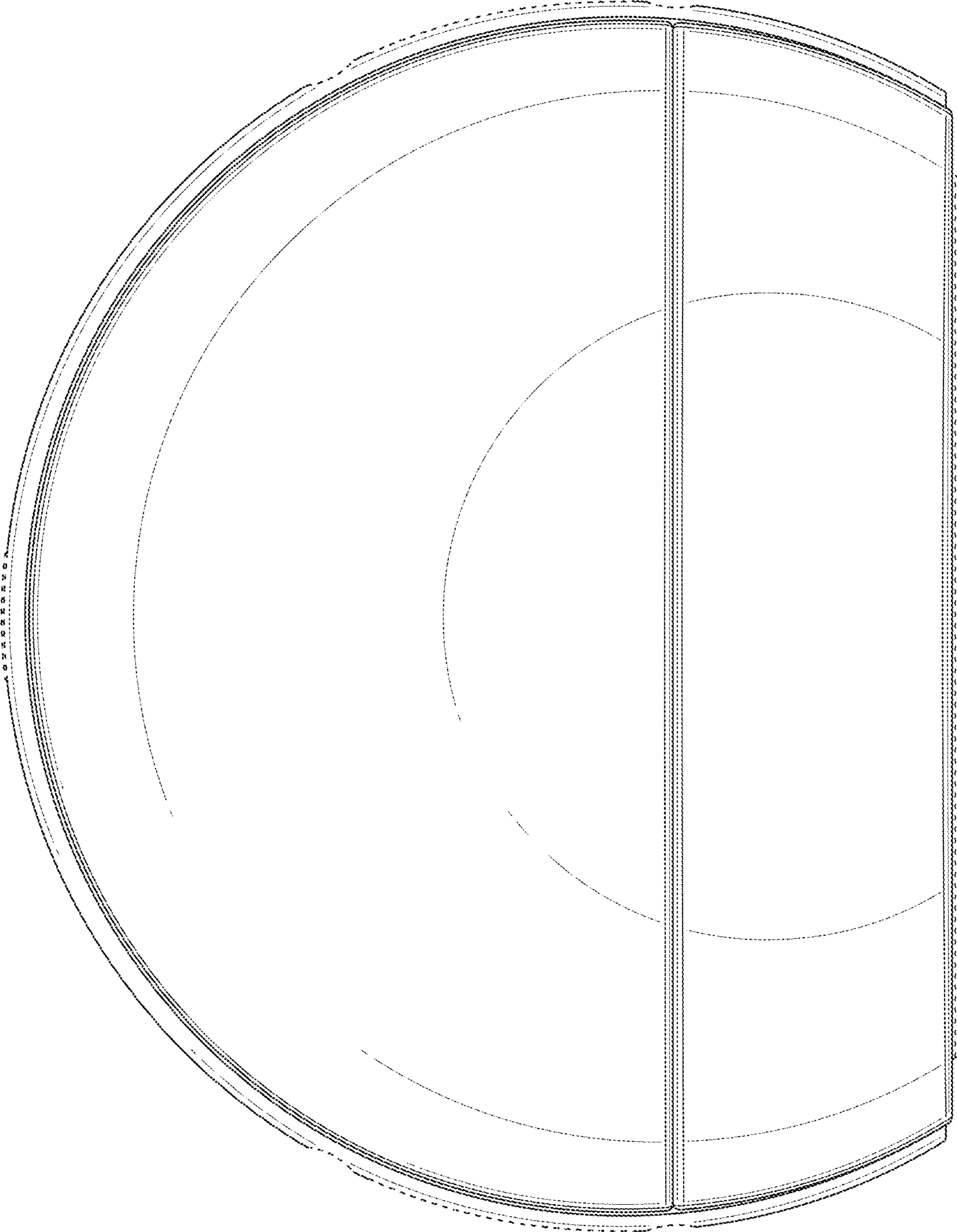


FIG. 9



FIG. 10

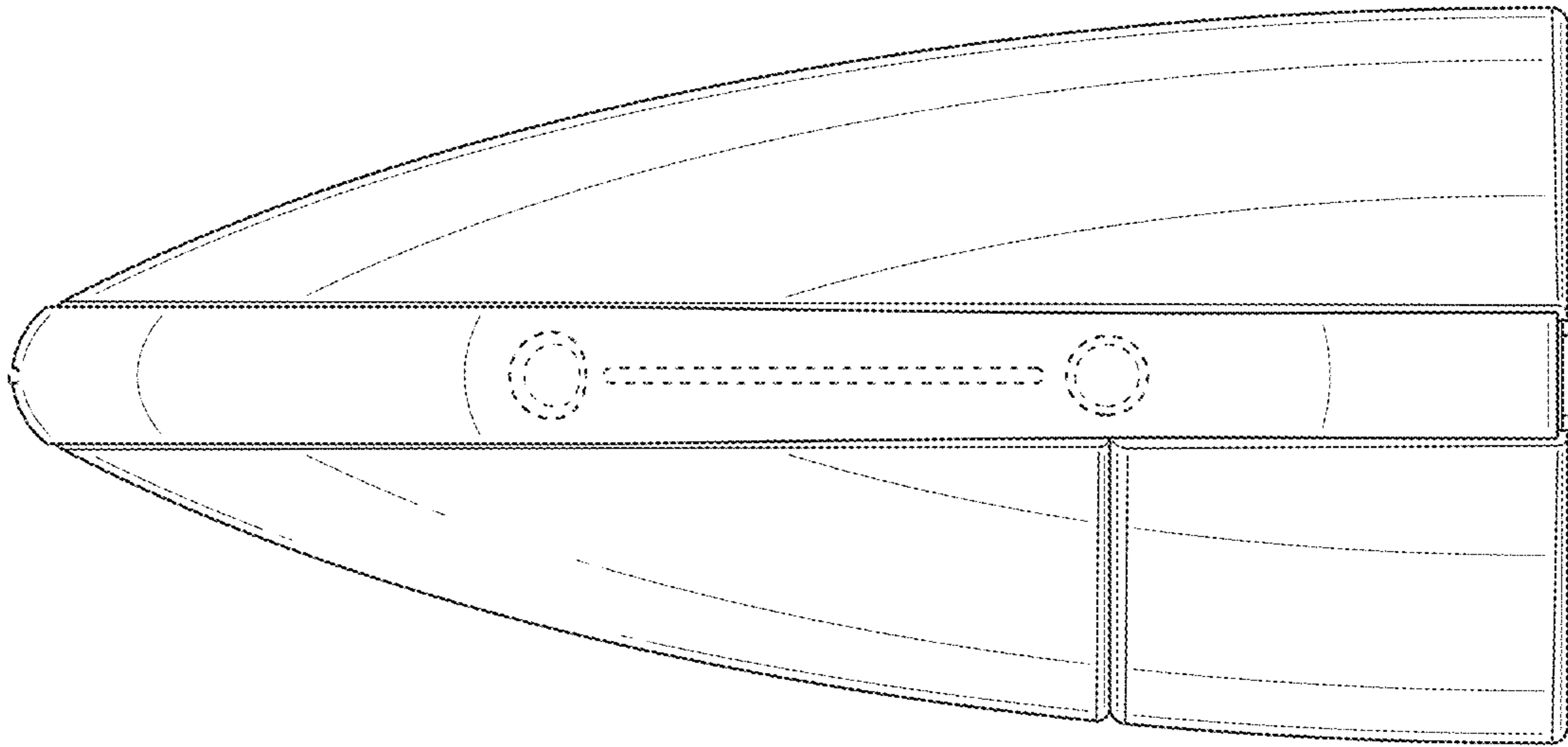


FIG. 11

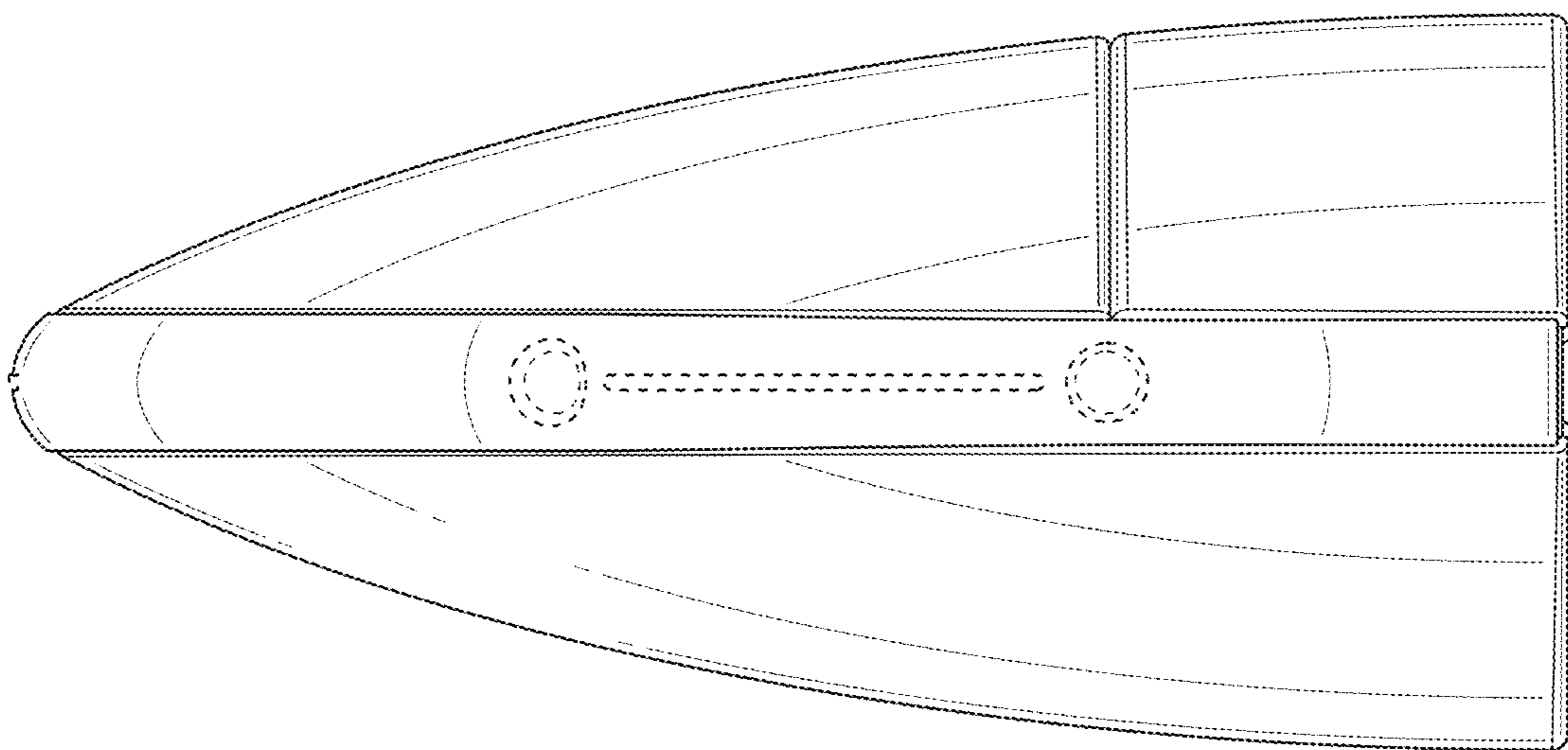


FIG. 12

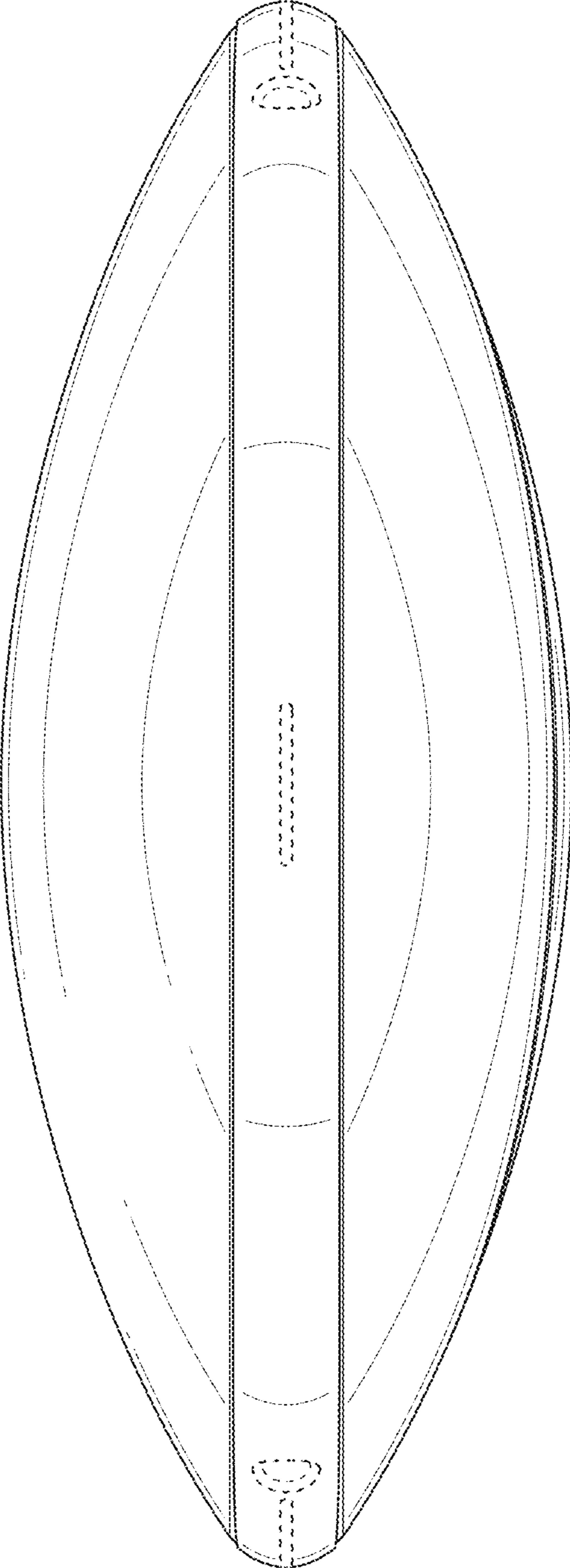


FIG. 13

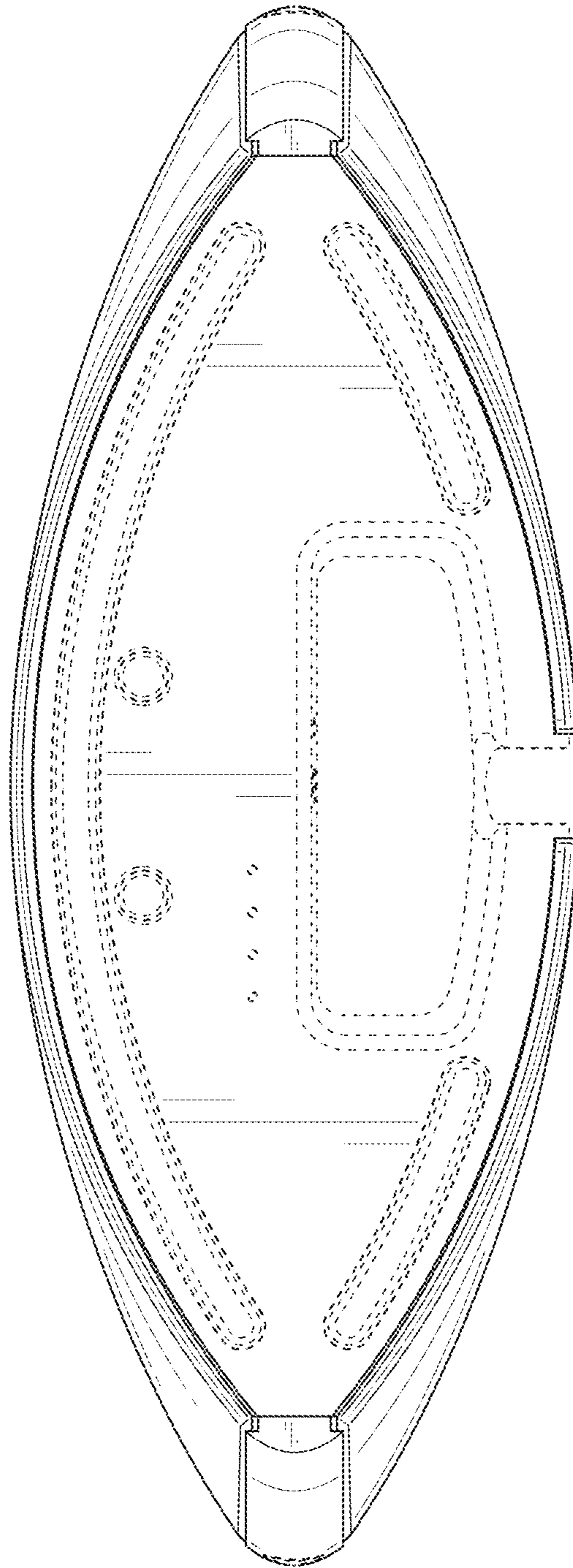


FIG. 14