



US00D947438S

(12) **United States Design Patent**  
**Zhang**

(10) **Patent No.:** **US D947,438 S**  
(45) **Date of Patent:** **\*\* Mar. 29, 2022**

(54) **LED GROW LIGHT**

(71) Applicant: **Qi Zhang**, Shenzhen (CN)

(72) Inventor: **Qi Zhang**, Shenzhen (CN)

(\*\*) Term: **15 Years**

(21) Appl. No.: **29/779,544**

(22) Filed: **Apr. 20, 2021**

(51) **LOC (13) Cl.** ..... **26-04**

(52) **U.S. Cl.**  
USPC ..... **D26/76**

(58) **Field of Classification Search**  
USPC ..... D26/72, 74, 76, 78–83, 85, 86, 88, 90,  
D26/93, 111, 113, 118–122, 138, 139,  
D26/140, 141, 142, 152  
CPC ..... F21S 2/00; F21S 4/00; F21S 4/003; F21S  
4/005; F21S 4/006; F21S 4/007; F21S  
4/008; F21S 6/00; F21S 8/00; F21S  
8/024; F21S 8/026; F21S 8/031; F21S  
8/033; F21S 8/035–037; F21S 8/04; F21S  
8/043; F21S 8/063  
See application file for complete search history.

(56) **References Cited**

**U.S. PATENT DOCUMENTS**

D637,752 S	*	5/2011	Mekhtarian	.....	D26/72
D693,397 S	*	11/2013	Zhan	.....	D26/63
D864,455 S	*	10/2019	Sullivan	.....	D26/76
D893,076 S		8/2020	Liu		
D893,077 S	*	8/2020	Liu	.....	D26/76
D893,078 S		8/2020	Liu		

D910,222 S		2/2021	Zhang		
D922,667 S	*	6/2021	Hu	.....	D26/118
D925,105 S	*	7/2021	Johnson	.....	D26/76
D927,770 S	*	8/2021	Hu	.....	D26/118
D933,876 S	*	10/2021	Lin	.....	D26/118
D934,481 S	*	10/2021	Liu	.....	D26/76

\* cited by examiner

*Primary Examiner* — Natasha Vujcic

(57) **CLAIM**

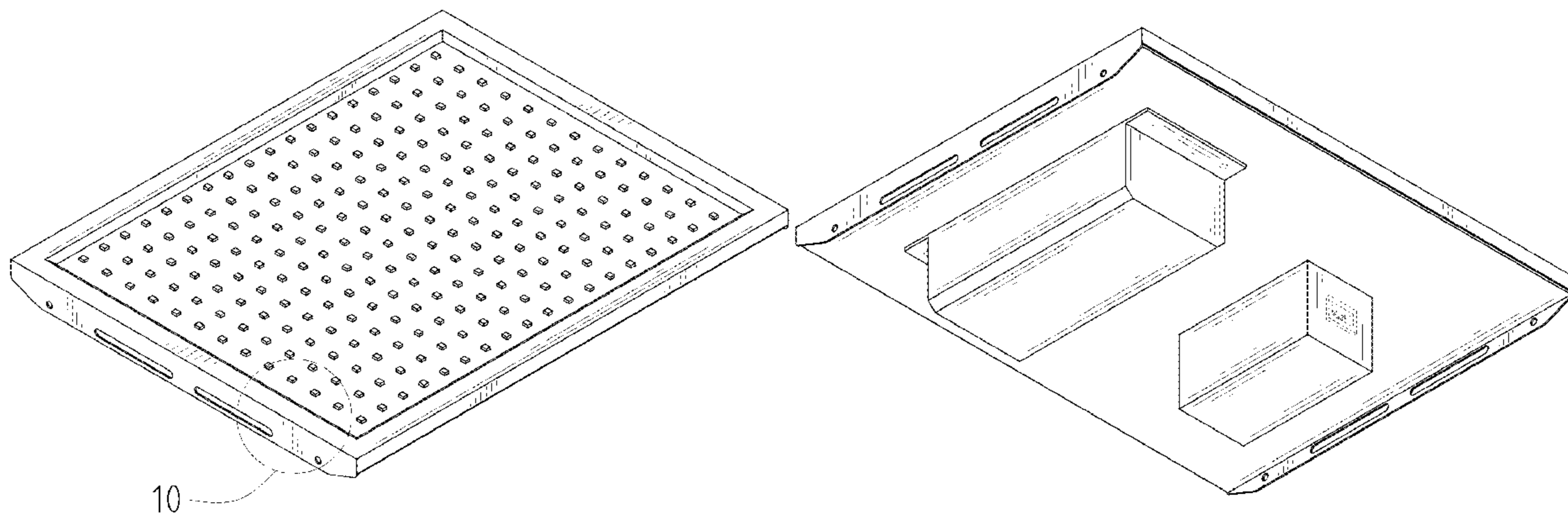
The ornamental design for an LED grow light, as shown and described.

**DESCRIPTION**

FIG. 1 is a first perspective view of an LED grow light showing my new design;  
FIG. 2 is a second perspective view thereof;  
FIG. 3 is a front view thereof;  
FIG. 4 is a back view thereof;  
FIG. 5 is a left side view thereof;  
FIG. 6 is a right side view thereof;  
FIG. 7 is atop view thereof;  
FIG. 8 is a bottom view thereof;  
FIG. 9 is a perspective view of another state of the LED grow light thereof; and,  
FIG. 10 is an enlarged view of the selected portion in FIG. 1.

The broken lines shown in the drawings depict portions of the LED grow light in which the design is embodied that form no part of the claimed design.

**1 Claim, 10 Drawing Sheets**



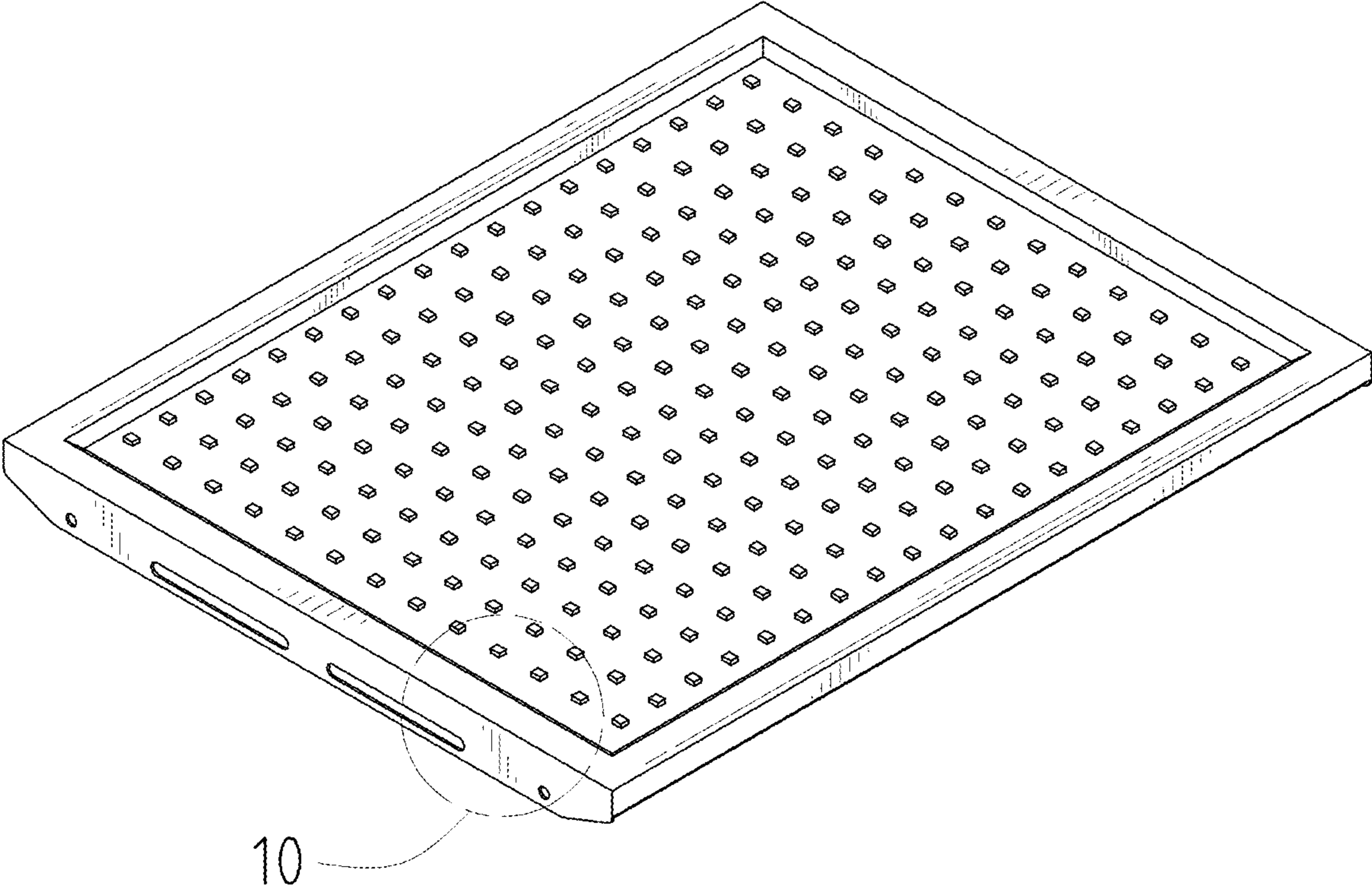


FIG. 1

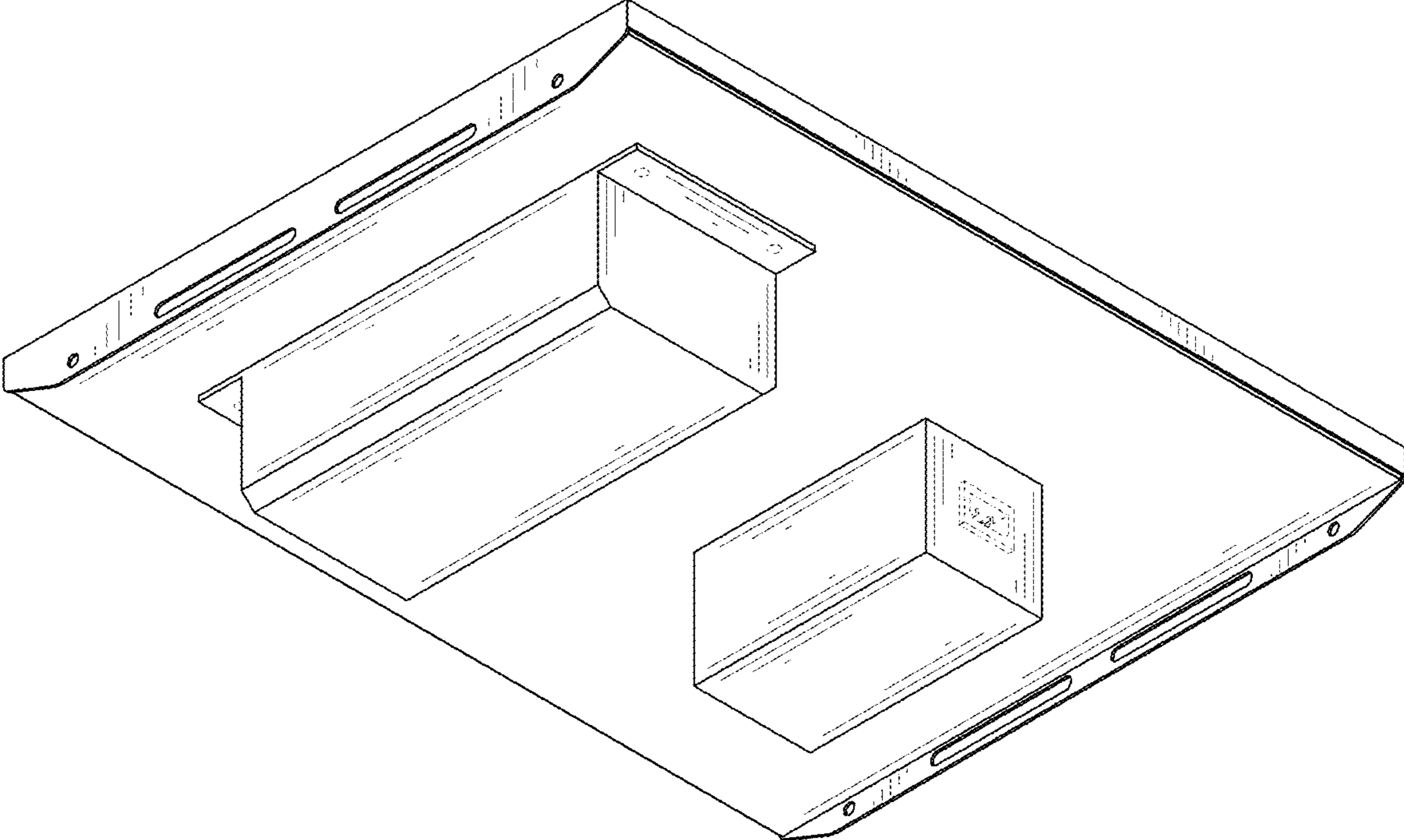


FIG. 2

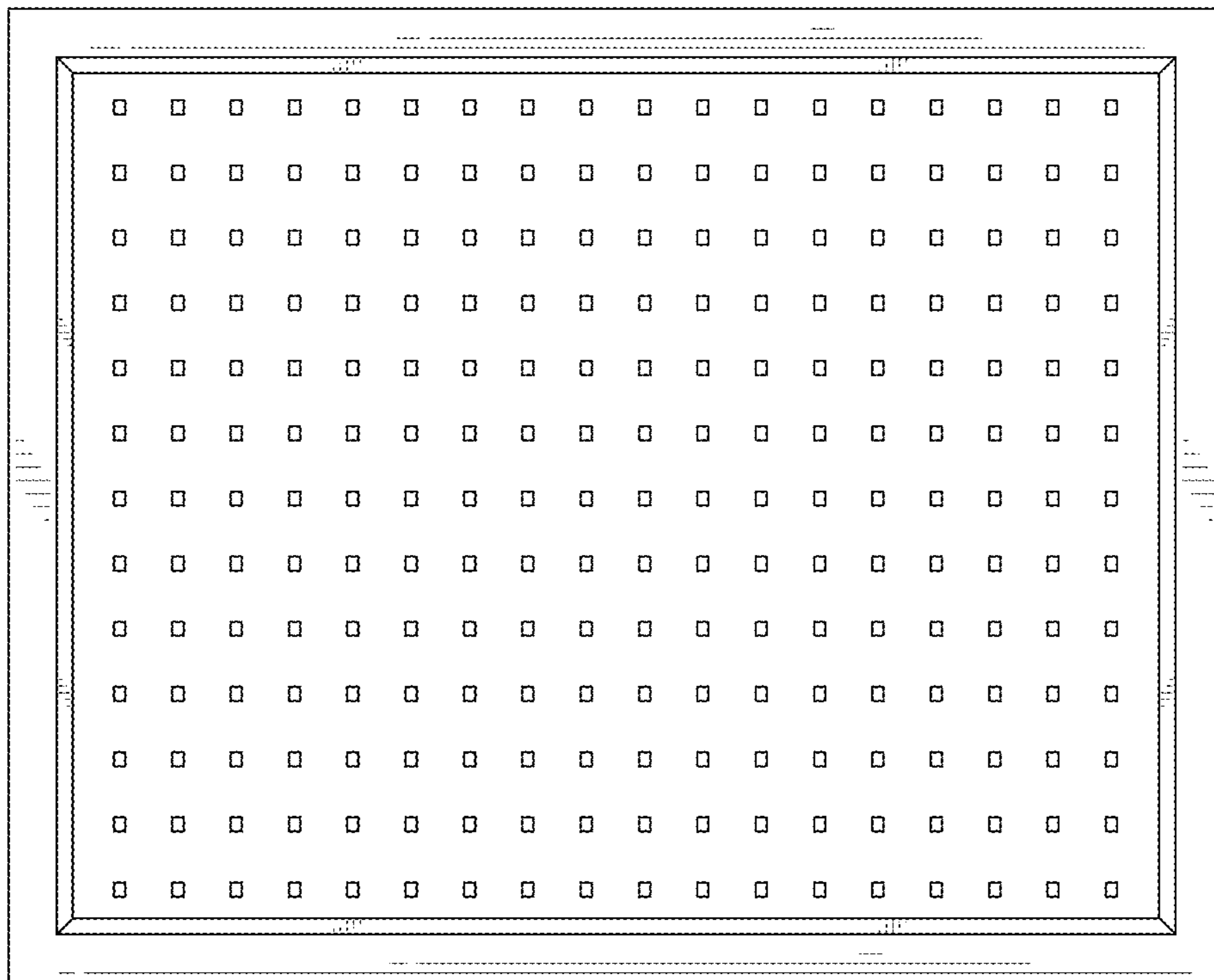


FIG. 3

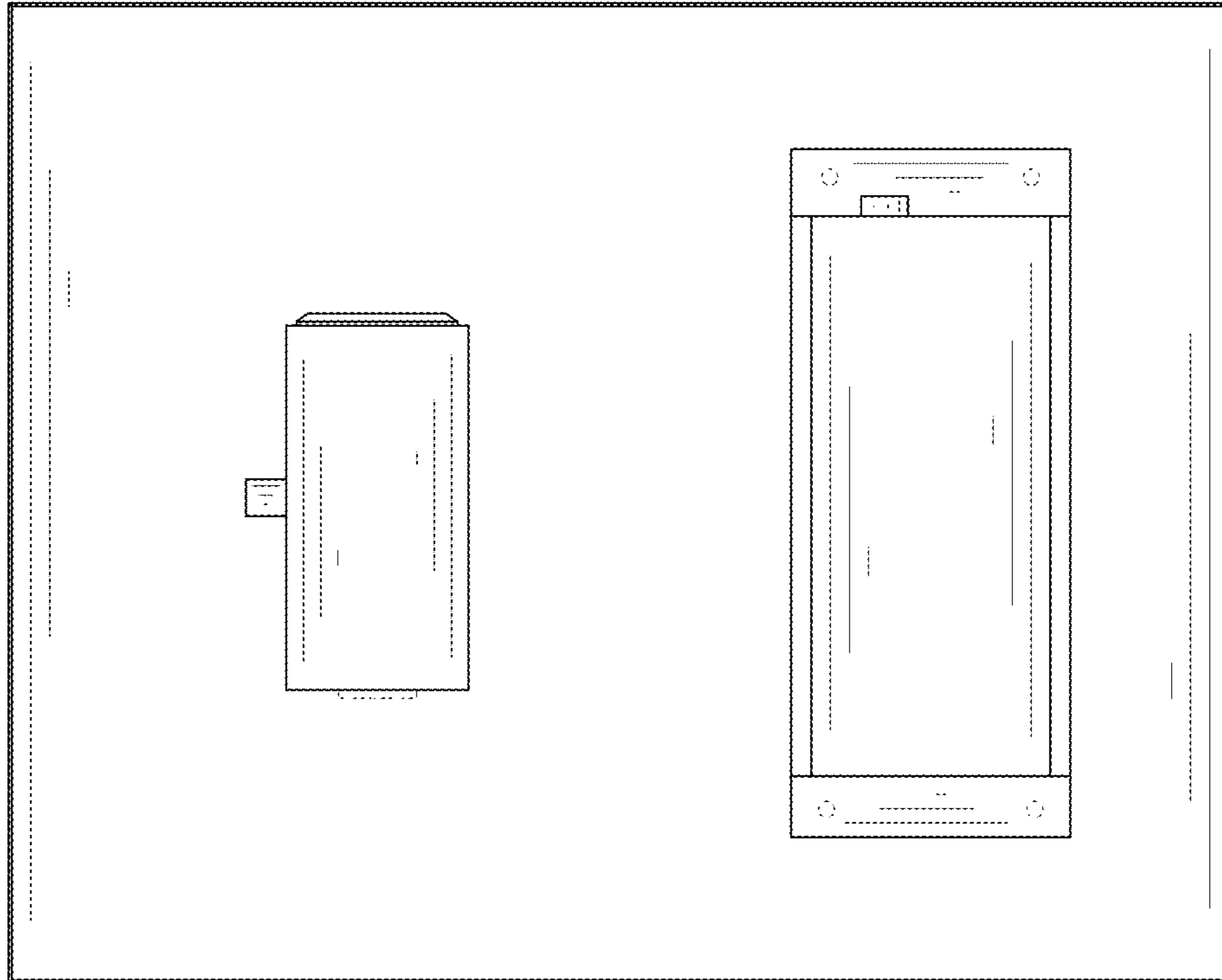


FIG. 4

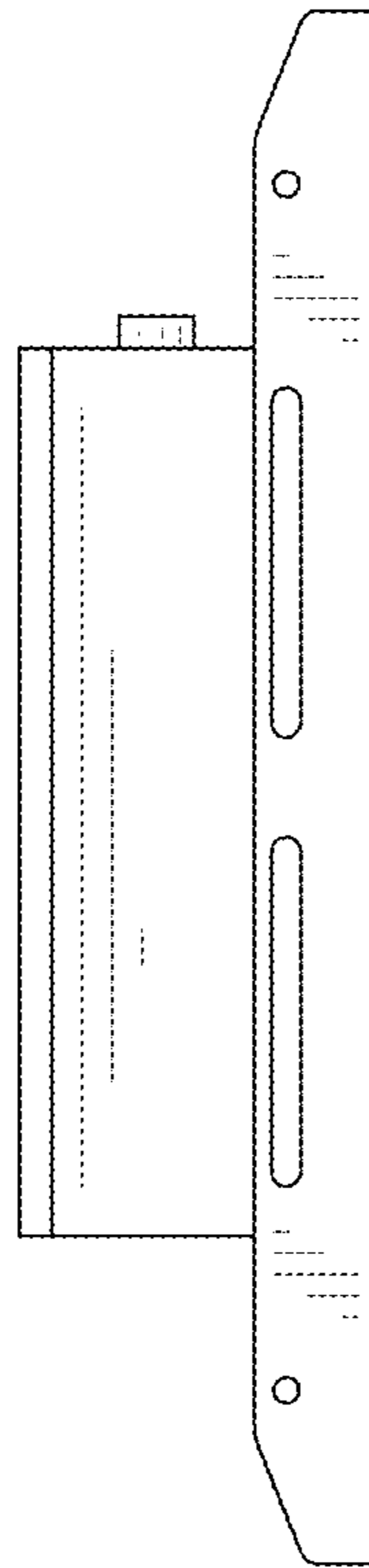


FIG. 5

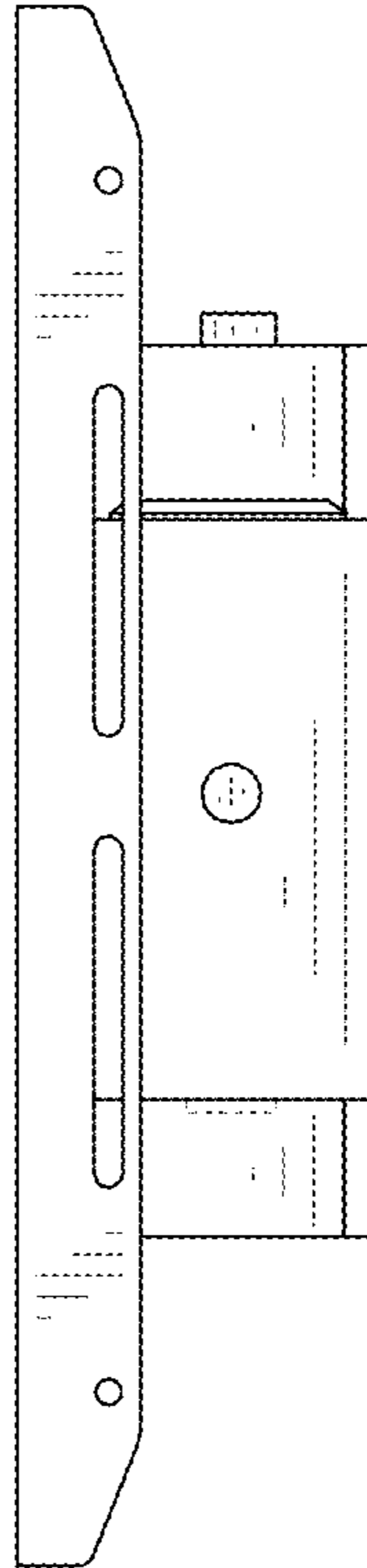


FIG. 6

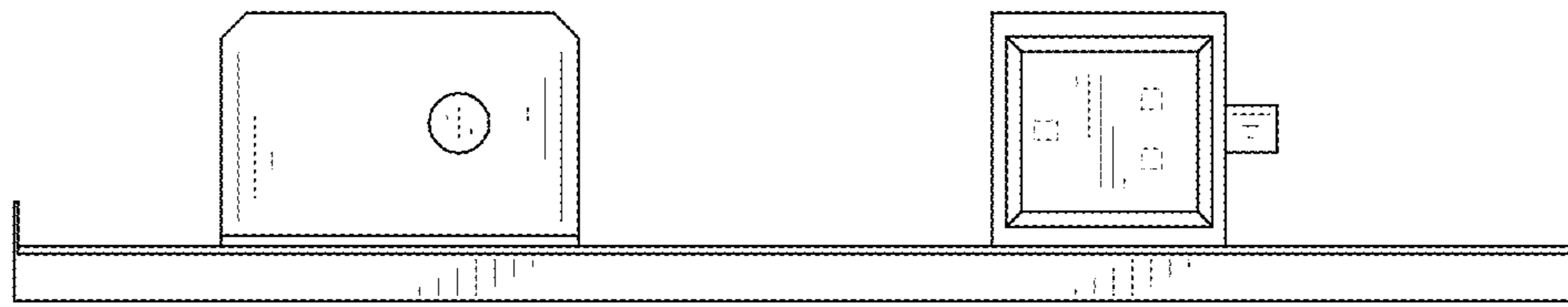


FIG. 7



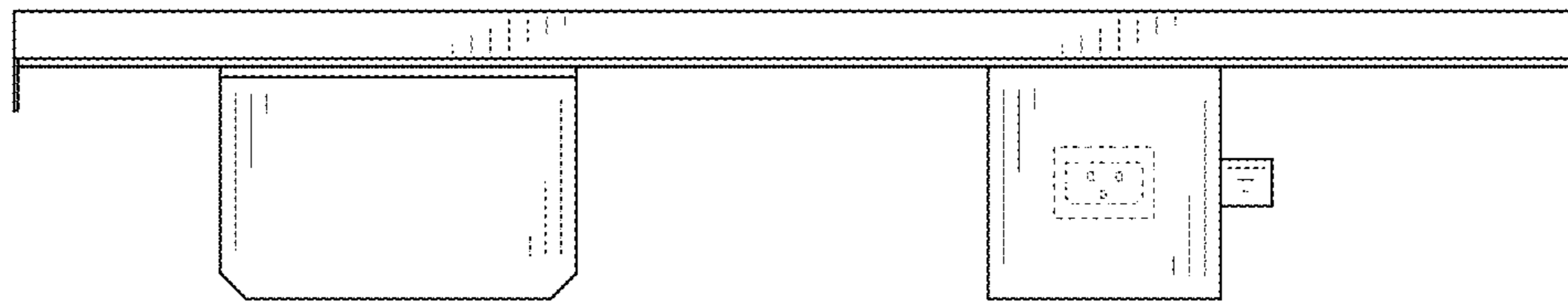


FIG. 8

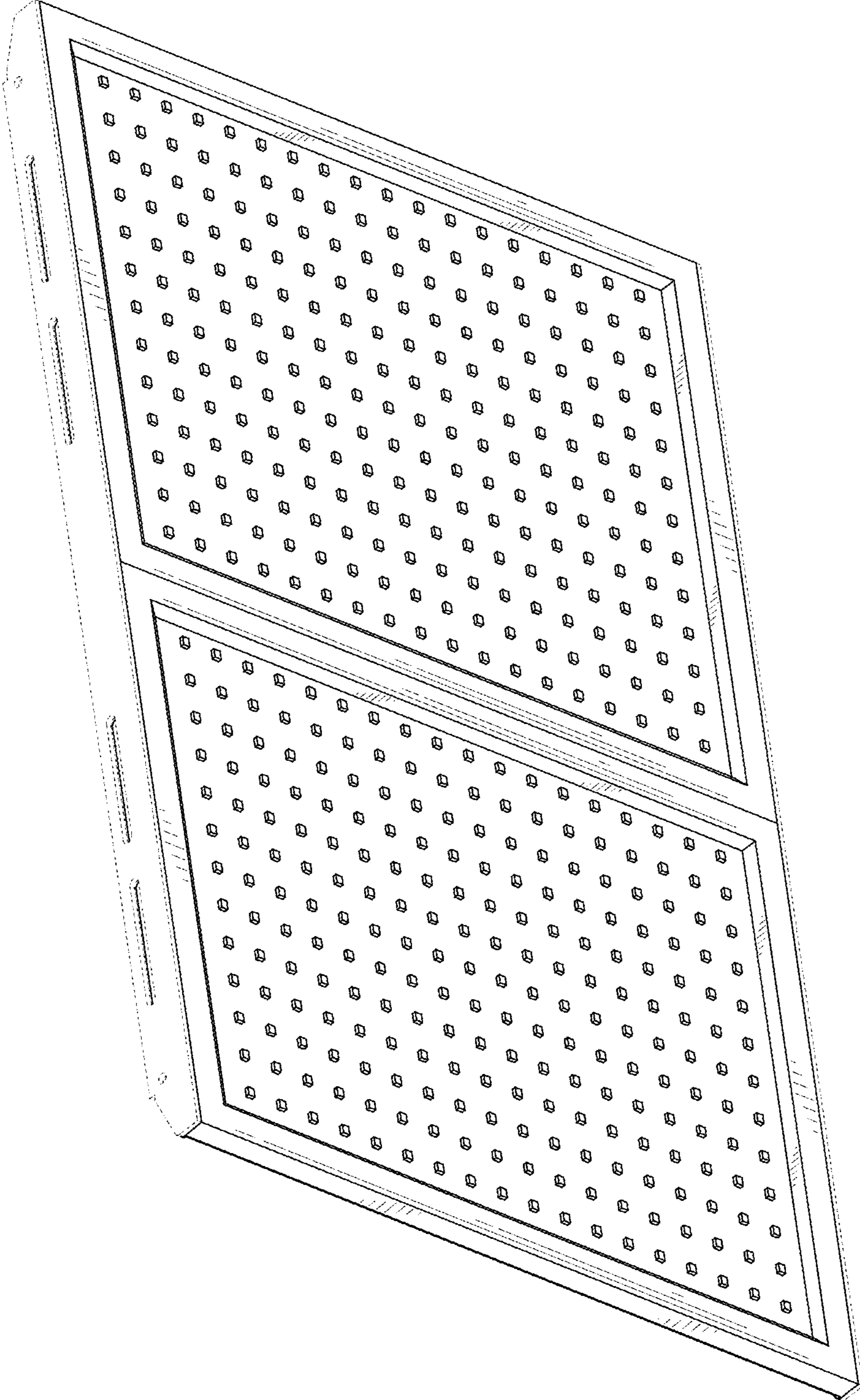


FIG. 9

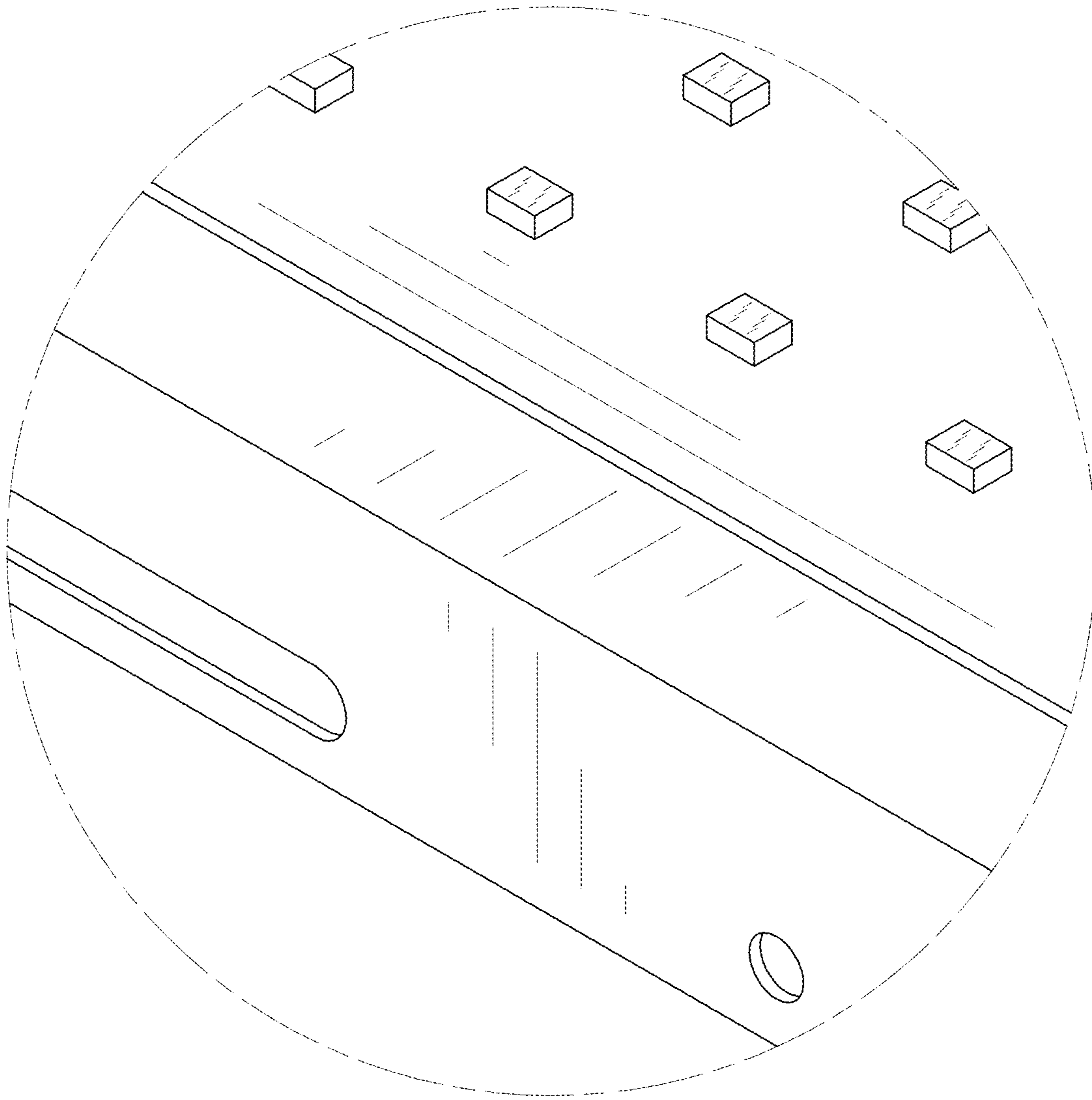


FIG. 10