



US00D947437S

(12) **United States Design Patent**
Huyghe

(10) **Patent No.:** **US D947,437 S**

(45) **Date of Patent:** **** Mar. 29, 2022**

(54) **LIGHTING FIXTURE**

(56) **References Cited**

(71) Applicant: **SIGNIFY HOLDING B.V.**, Eindhoven (NL)

U.S. PATENT DOCUMENTS

(72) Inventor: **Jeffrey Huyghe**, Heule (BE)

D326,536 S *	5/1992	Gattari	D26/74
D326,537 S *	5/1992	Gattari	D26/74
D326,729 S *	6/1992	Gattari	D26/74
D739,590 S *	9/2015	Redfern	D26/74
D768,325 S *	10/2016	Xu	D26/74
D786,474 S *	5/2017	Fujisawa	D26/74
D809,177 S *	1/2018	Fujisawa	D26/74
D843,630 S *	3/2019	Rybol	D26/74
D850,695 S *	6/2019	Dabiet	F21S 8/02
			D26/74
D880,751 S *	4/2020	Ji	D26/74

(73) Assignee: **SIGNIFY HOLDING B.V.**, Eindhoven (NL)

(**) Term: **15 Years**

* cited by examiner

(21) Appl. No.: **29/733,708**

Primary Examiner — Angela J Lee

(22) Filed: **May 6, 2020**

(74) *Attorney, Agent, or Firm* — Daniel J. Piotrowski

(30) **Foreign Application Priority Data**

Nov. 8, 2019 (EM) 007207352-0001

(57) **CLAIM**

(51) **LOC (13) Cl.** **26-05**

The ornamental design for a “lighting fixture”, as shown and described.

(52) **U.S. Cl.**

DESCRIPTION

USPC **D26/74**

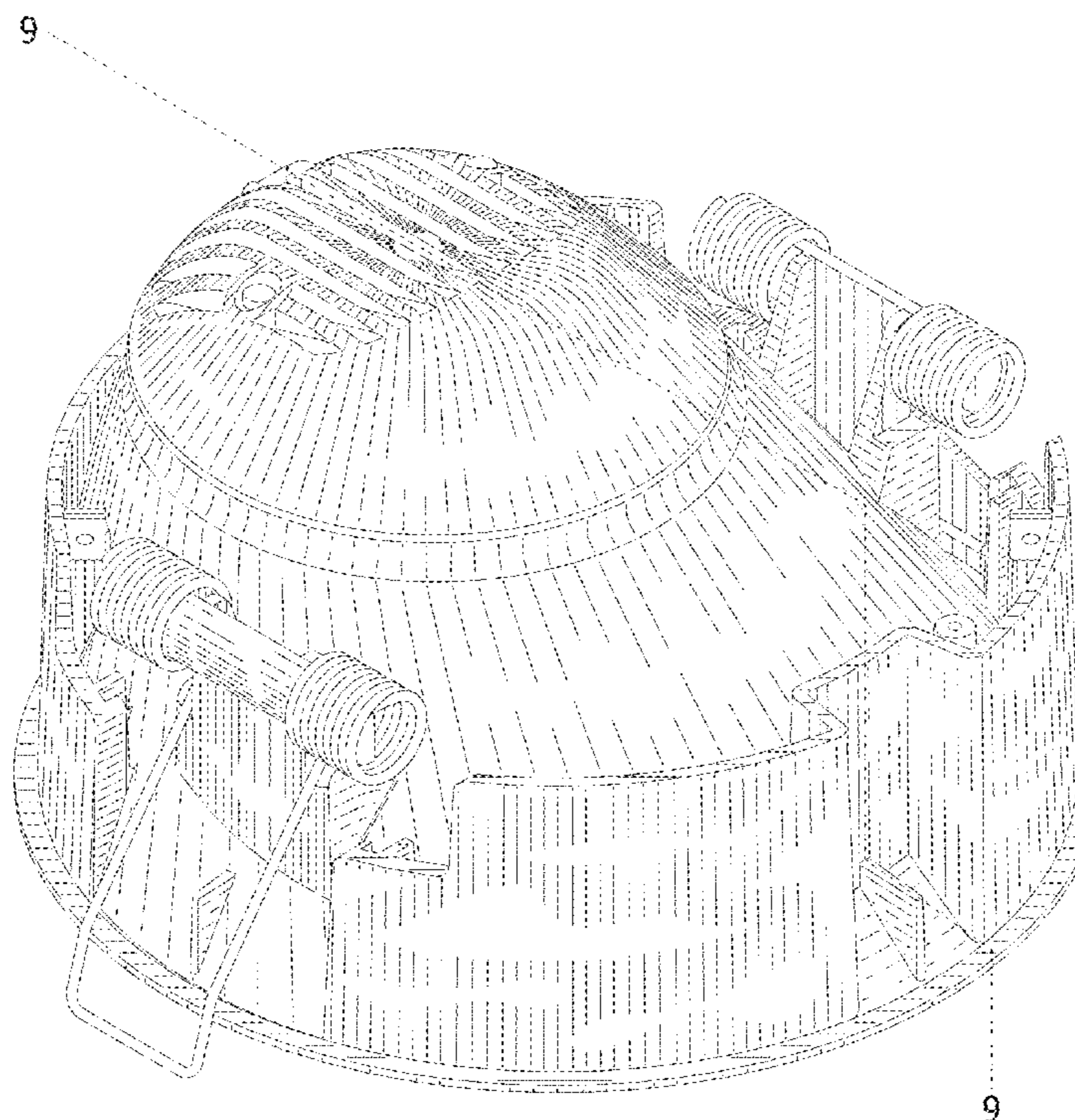
(58) **Field of Classification Search**

USPC D26/74, 72, 75, 76, 77, 78, 85, 88, 89,
D26/118, 138, 141; 362/364, 365, 373,
362/145, 146, 147, 148, 150, 153, 153.1,
362/294, 296.01, 296.07, 296.08

CPC F21V 29/2262; F21V 7/06; F21V 21/044;
F21V 21/047; F21V 29/2212; F21V
29/2225; F21V 29/2256; F21V 29/225;
F21V 29/2268; F21Y 2111/002; F21S
8/02; F21S 8/026

See application file for complete search history.

1 Claim, 7 Drawing Sheets



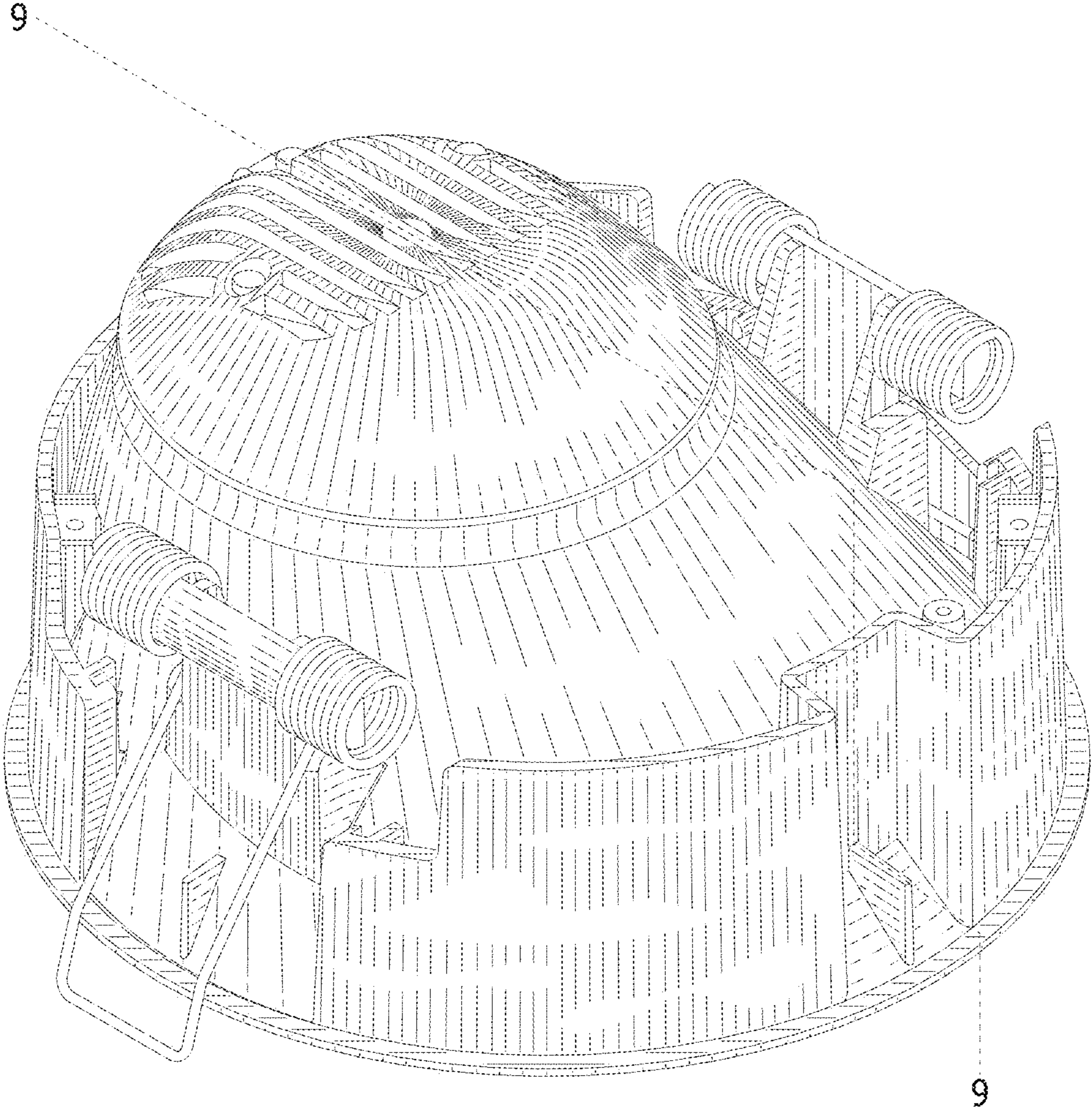


FIG. 1

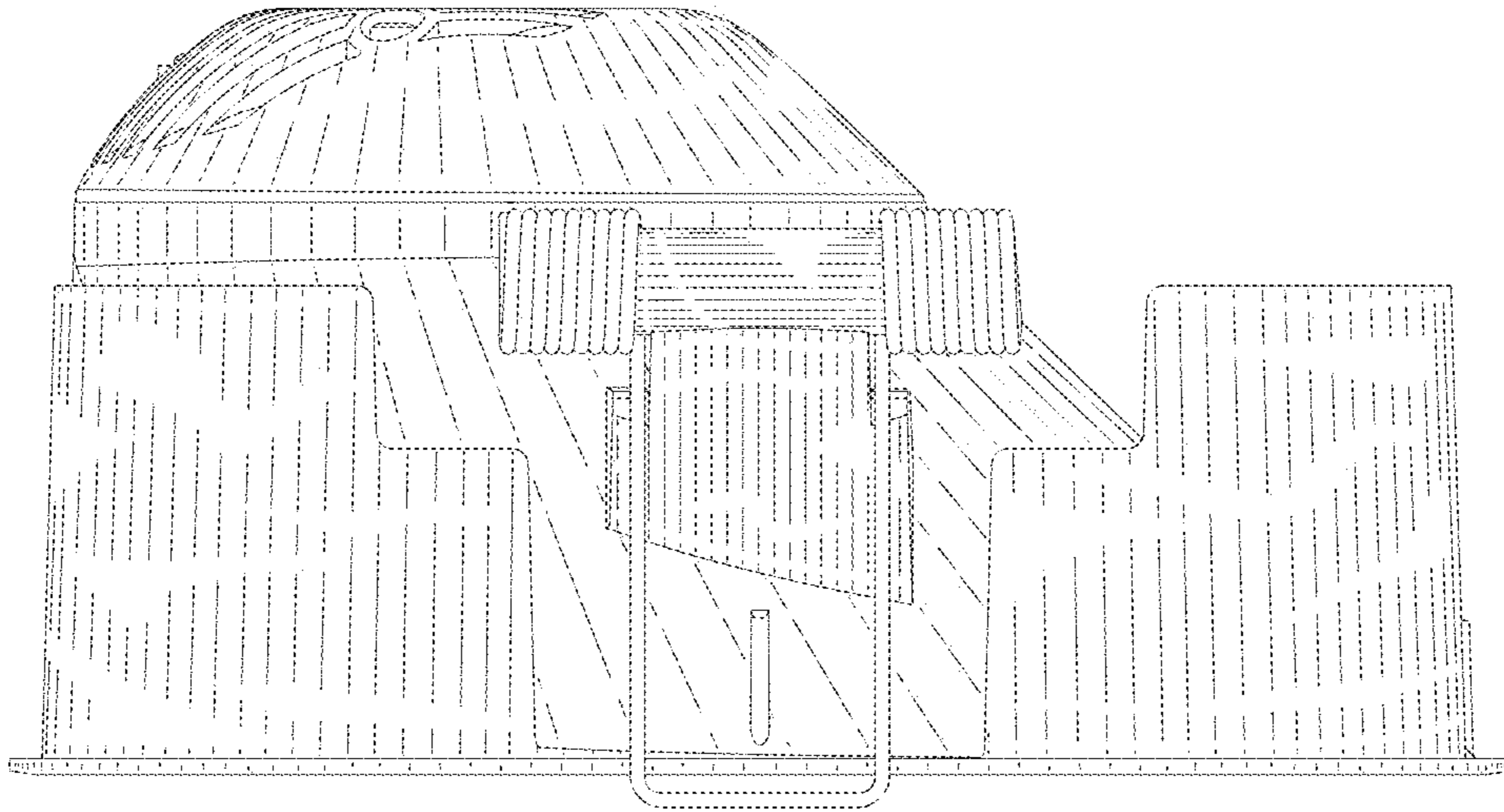


FIG. 2

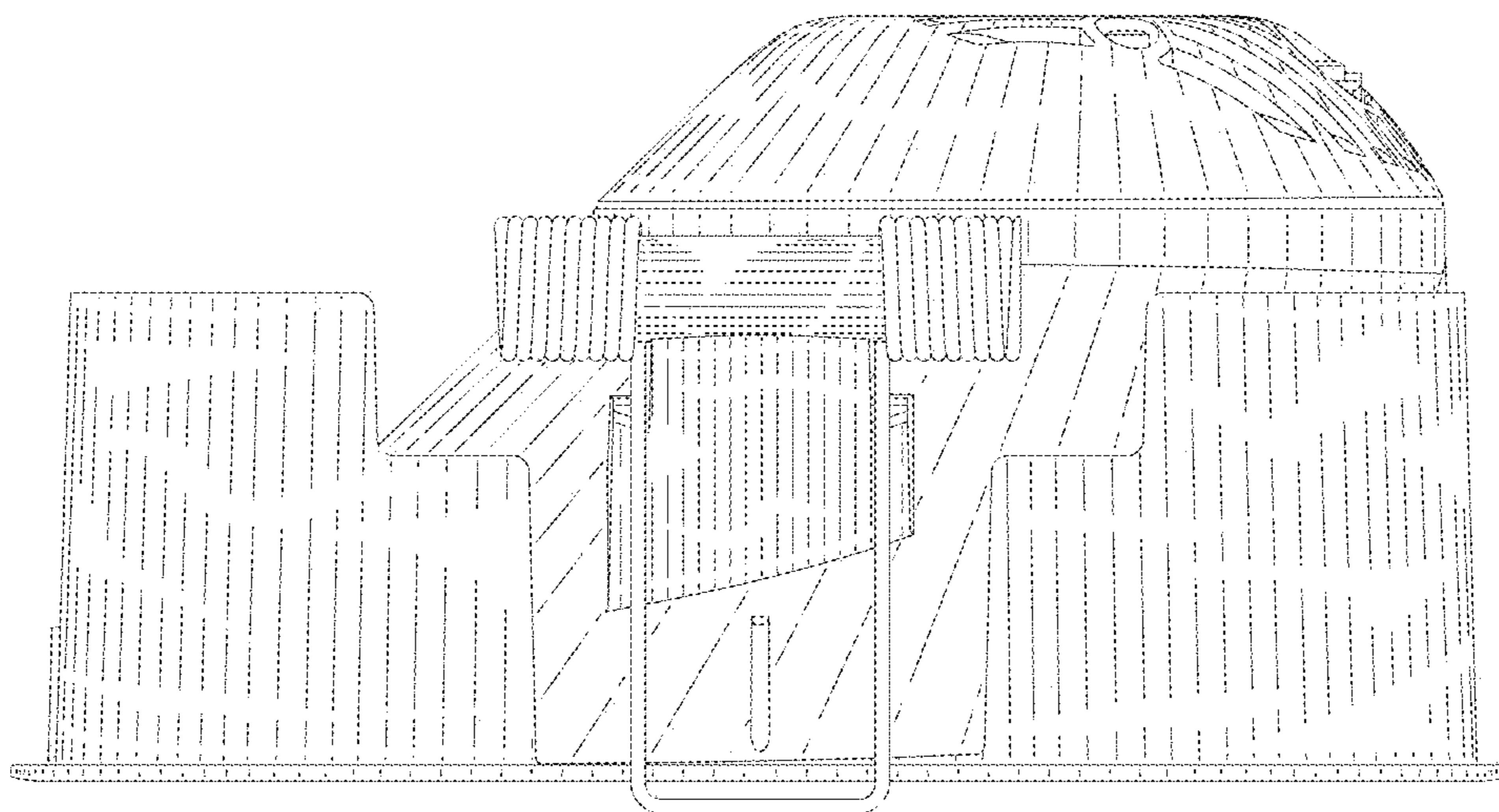


FIG. 3

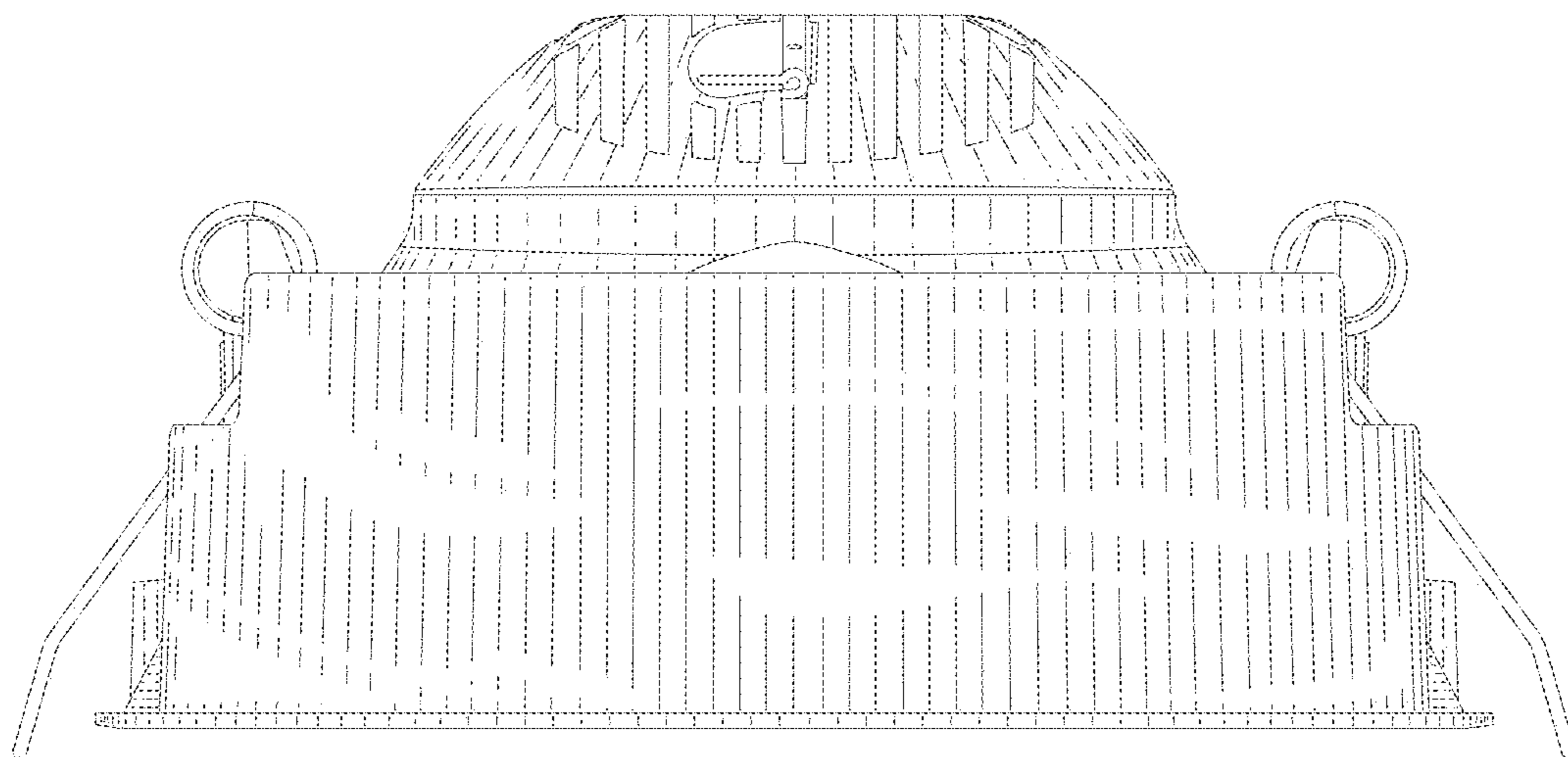


FIG. 4

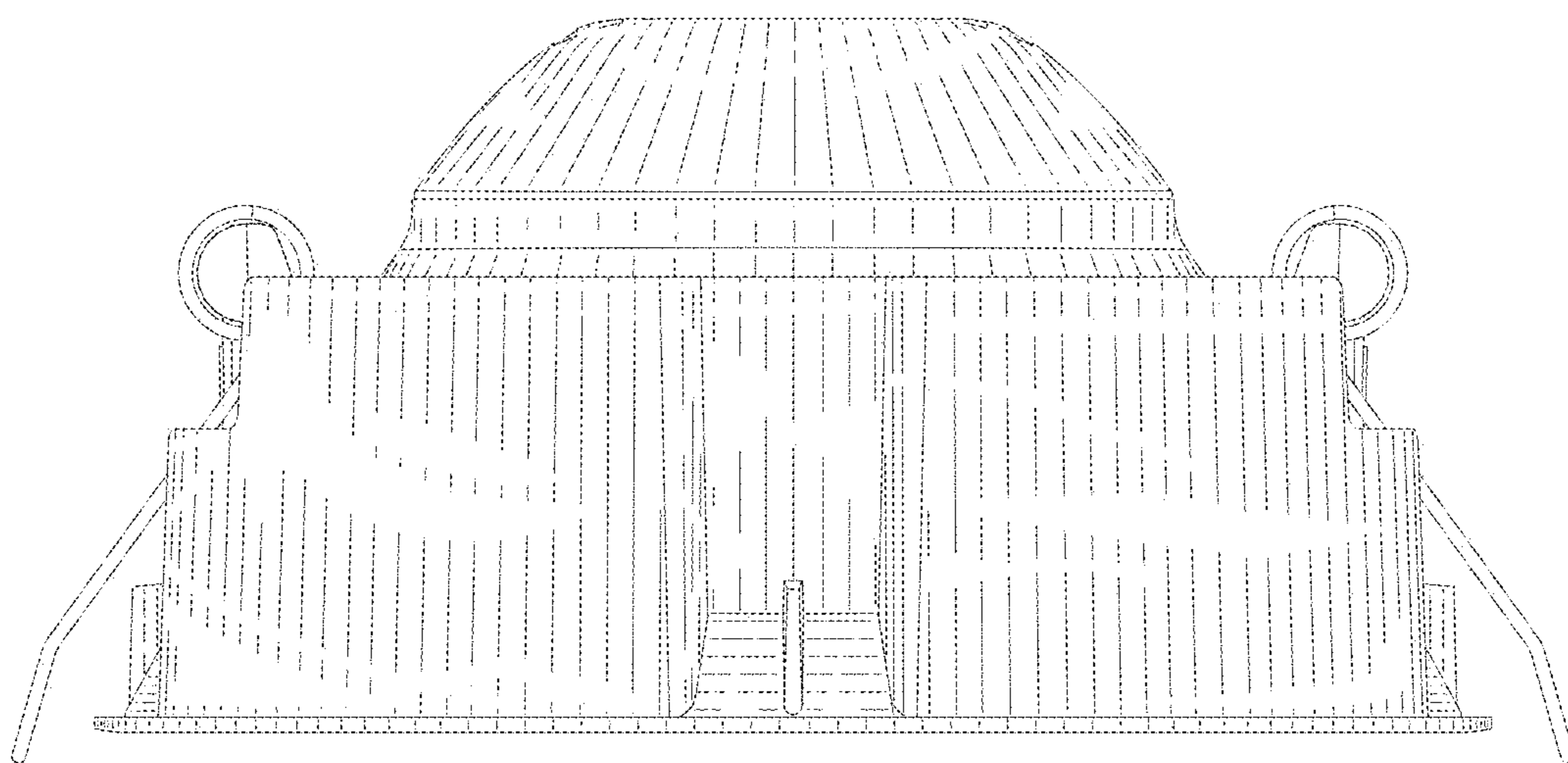


FIG. 5

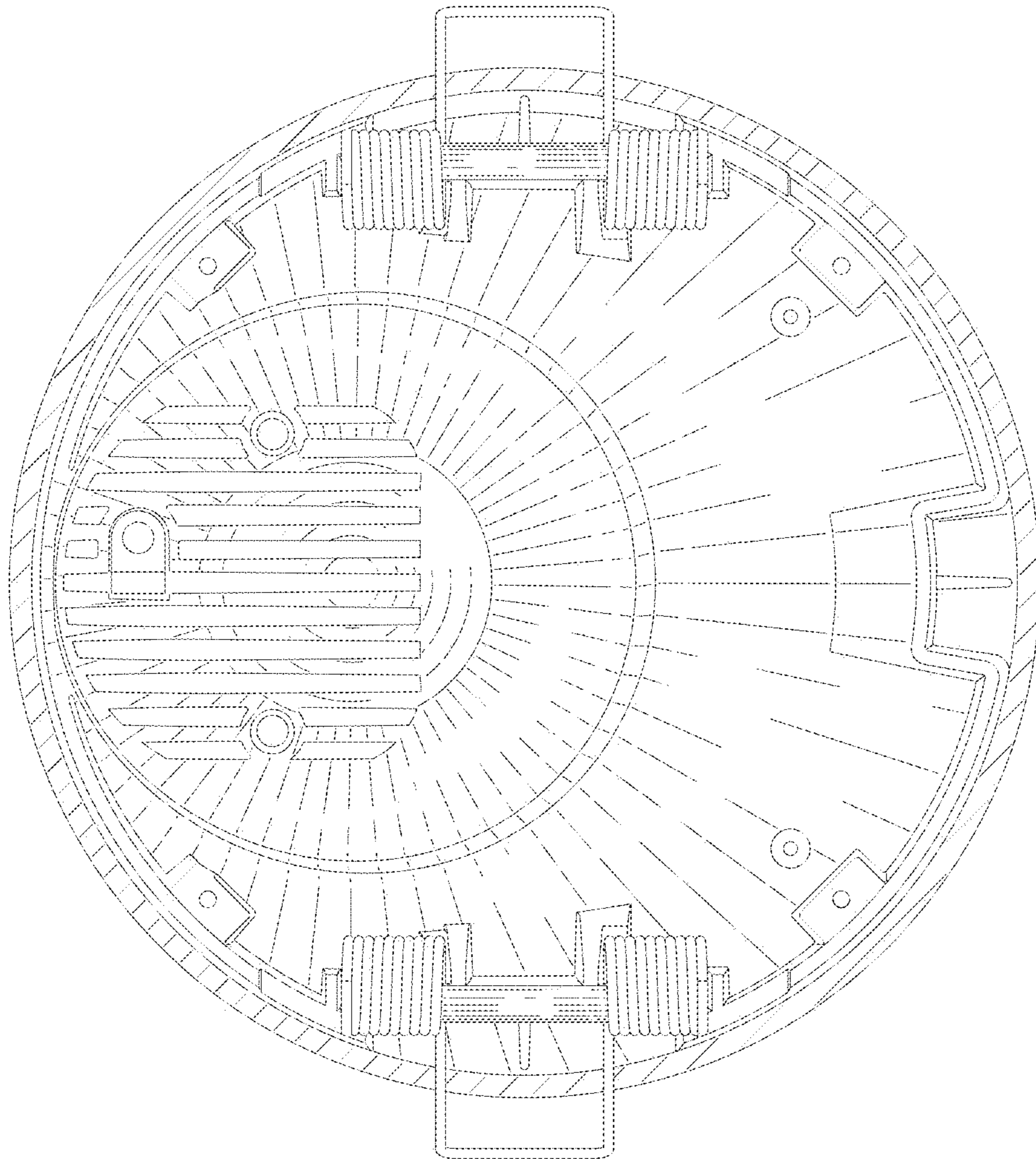


FIG. 6

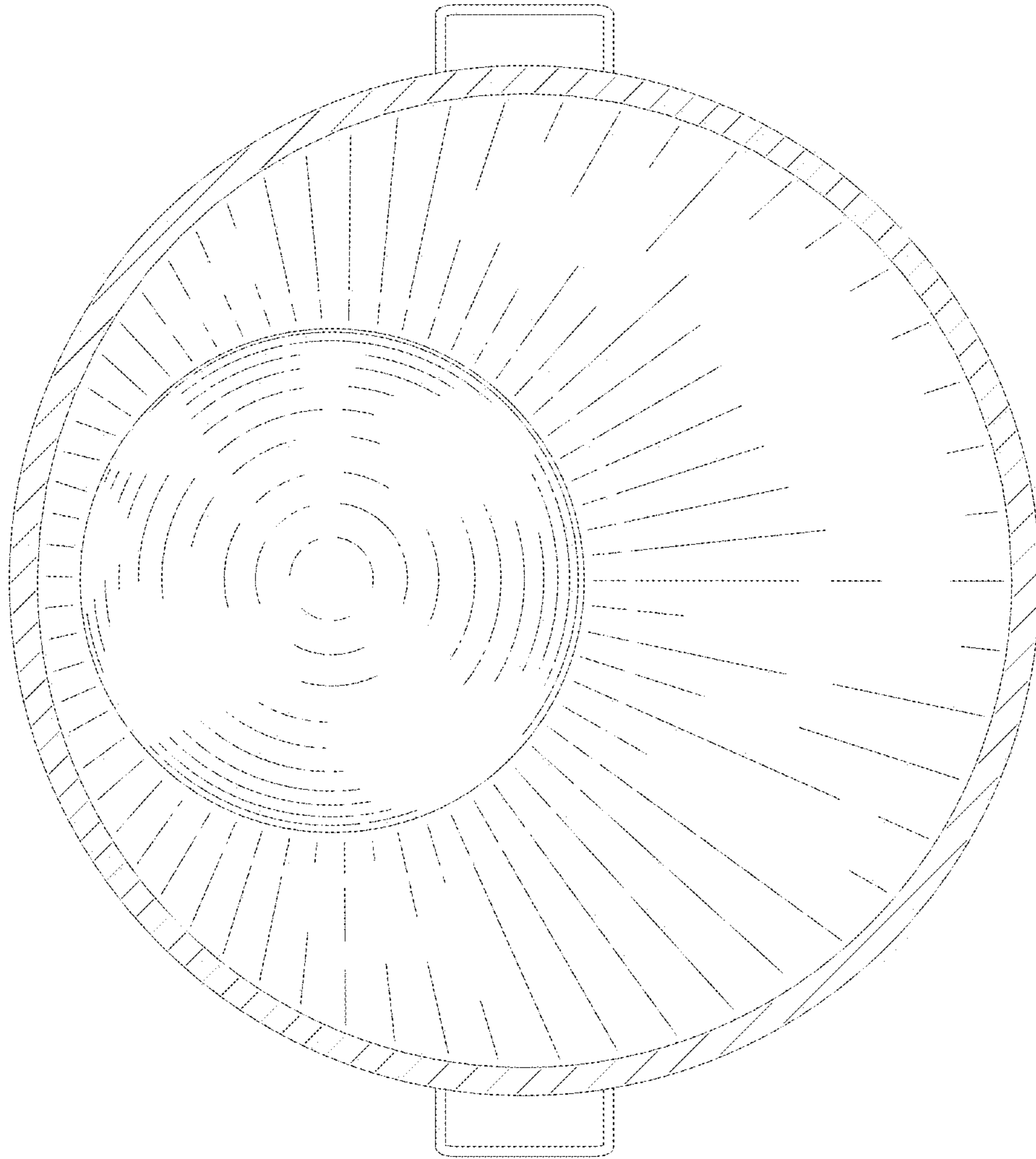


FIG. 7

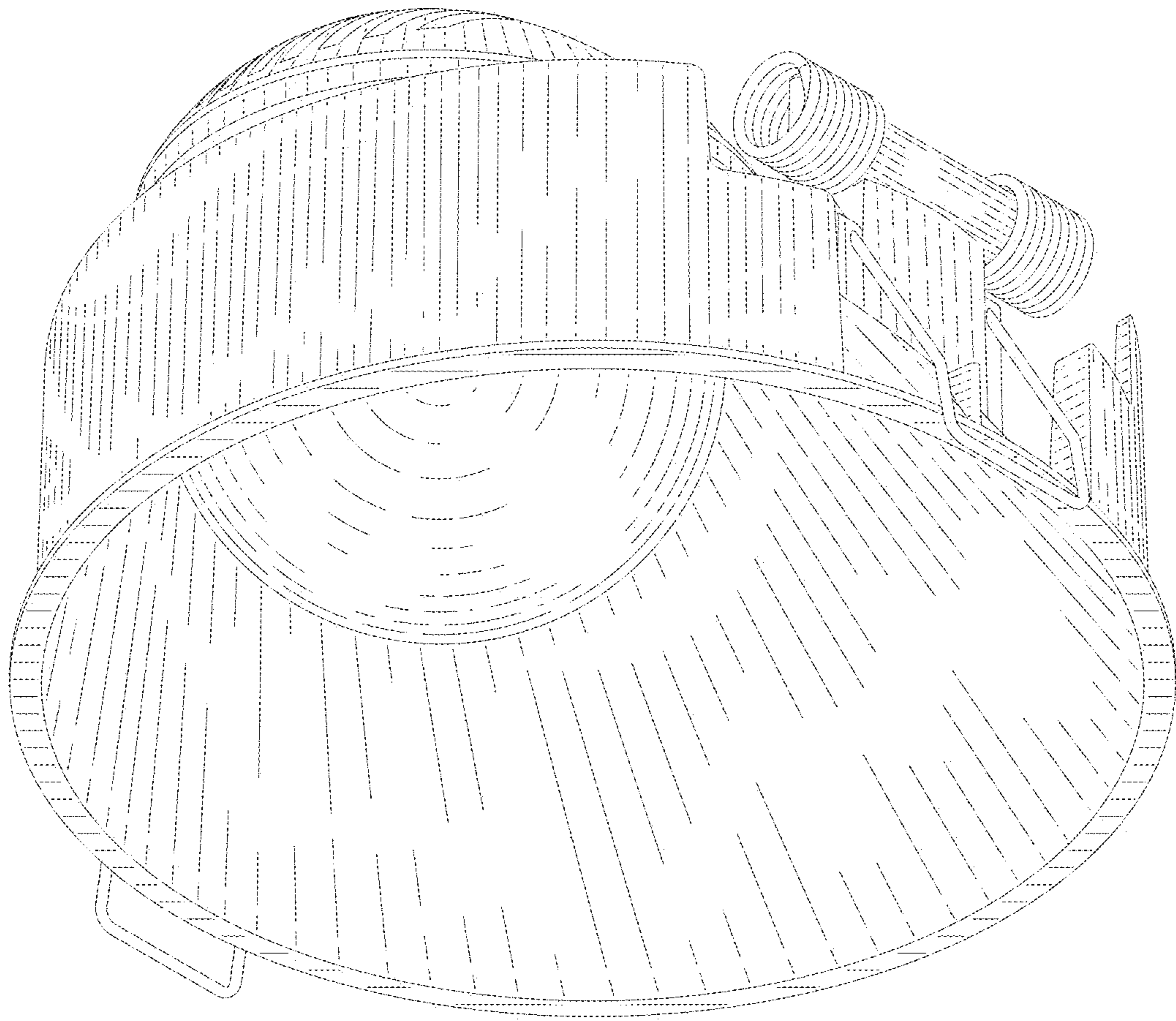


FIG. 8

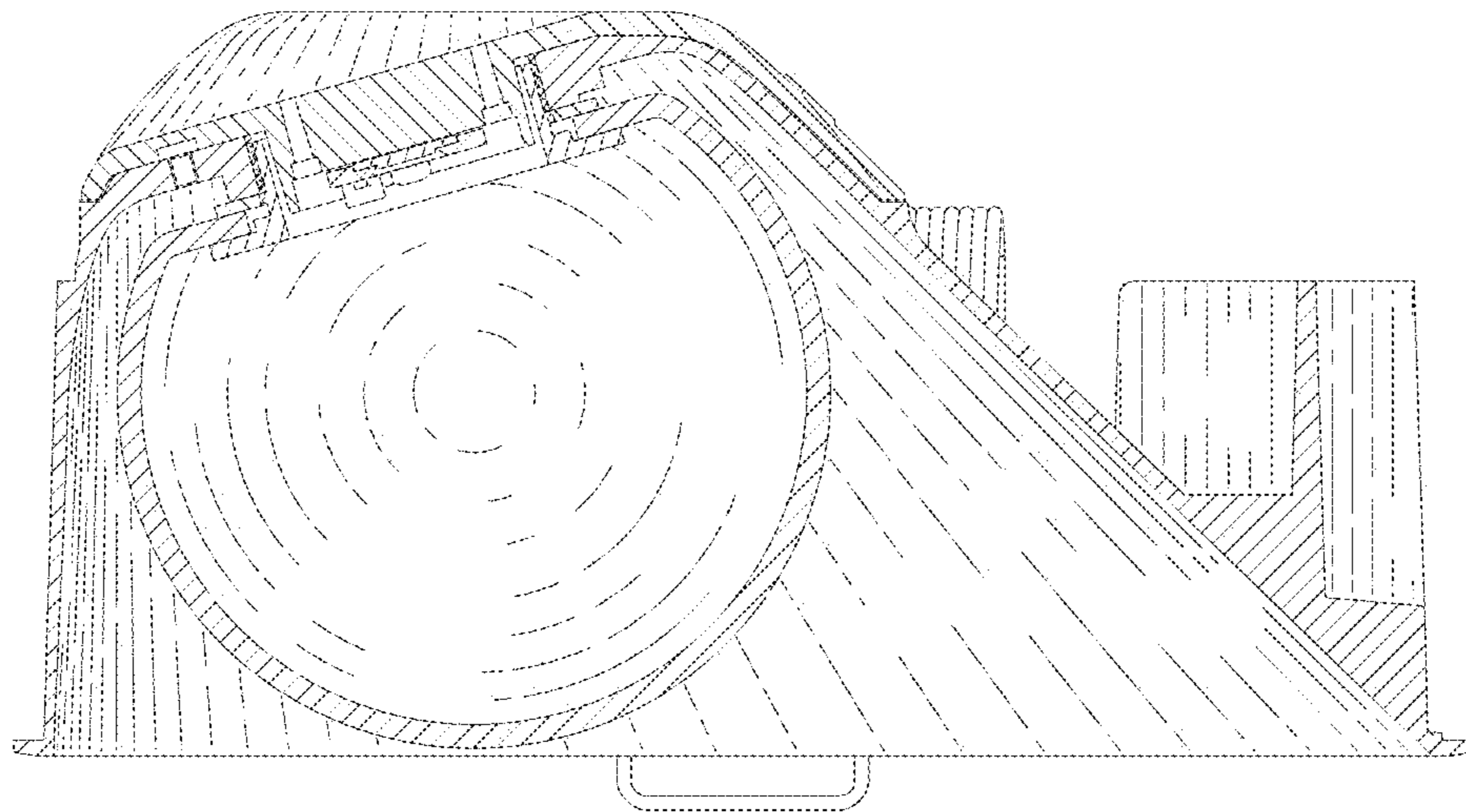


FIG. 9