



US00D947434S

(12) **United States Design Patent** (10) **Patent No.:** **US D947,434 S**
Li (45) **Date of Patent:** **** Mar. 29, 2022**

(54) **SOLAR LAMP**

(71) Applicant: **QUANZHOU KAIYI ELECTRONIC TECHNOLOGY CO., LTD.,**
Quanzhou (CN)

(72) Inventor: **Peijing Li**, Quanzhou (CN)

(73) Assignee: **QUANZHOU KAIYI ELECTRONIC TECHNOLOGY CO., LTD.,**
Quanzhou (CN)

(**) Term: **15 Years**

(21) Appl. No.: **29/746,452**

(22) Filed: **Aug. 13, 2020**

(51) **LOC (13) Cl.** **26-05**

(52) **U.S. Cl.**
USPC **D26/67**

(58) **Field of Classification Search**
USPC D26/40, 41, 67-70, 85, 8, 11, 19, 22
CPC F21S 8/03; F21S 8/033; F21S 8/036; F21S
8/081; F21S 9/037; F21W 2111/02;
F21W 2111/023; F21W 2131/109
See application file for complete search history.

(56) **References Cited**

U.S. PATENT DOCUMENTS

D457,978 S *	5/2002	Cheong	D26/72
D468,853 S *	1/2003	Chang	D26/67
D482,479 S *	11/2003	Kuelbs	D26/67
D491,685 S *	6/2004	Pu	D26/67
D625,874 S *	10/2010	Sanoner	D26/67
D640,407 S *	6/2011	Chen	D26/68
D678,577 S *	3/2013	Chen	D26/67
D814,092 S *	3/2018	Chen	D26/67

D822,251 S *	7/2018	Chen	D26/67
2007/0236923 A1 *	10/2007	Fan	F21S 9/037 362/183
2018/0187846 A1 *	7/2018	Cohen	F21V 11/00
2018/0209594 A1 *	7/2018	Parisi	F21S 9/037

OTHER PUBLICATIONS

TomShine Outdoor Solar Garden Lights, ASIN: B08NJTP5V3. Available from amazon.com Nov. 16, 2020. (Year: 2020).*
Solpex Solar Hanging Lantern, ASIN: B08HLY5QDR. Available from amazon.com Sep. 7, 2020. (Year: 2020).*
Walensee Solar Lights Outdoor With Flickering Flame, ASIN: B09G9W9DQT. Available from amazon.com Jun. 10, 2021. (Year: 2021).*
Newvivid 3 in 1 Outdoor Hanging Solar Candles, ASIN: B08S7N7FY7. Available from amazon.com Jan. 6, 2021. (Year: 2021).*

* cited by examiner

Primary Examiner — Clare E Hefflin

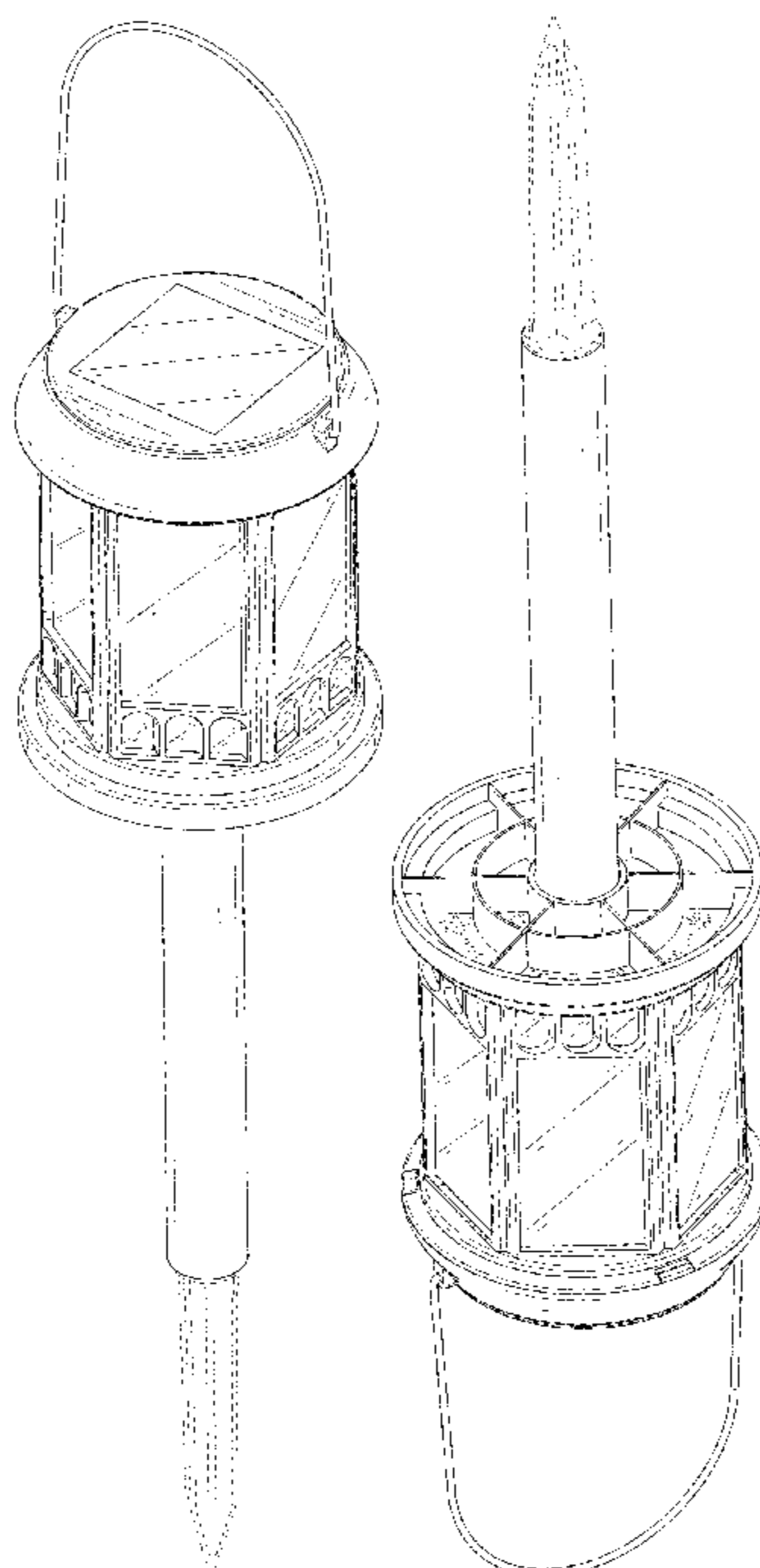
(57) **CLAIM**

The ornamental design for a solar lamp, as shown and described.

DESCRIPTION

FIG. 1 is a perspective view of a solar lamp showing my new design;
FIG. 2 is another perspective view thereof;
FIG. 3 is a front elevational view thereof;
FIG. 4 is a rear elevational view thereof;
FIG. 5 is a left side elevational view thereof;
FIG. 6 is a right side elevational view thereof;
FIG. 7 is a top plan view thereof; and,
FIG. 8 is a bottom plan view thereof.
The broken lines in the drawings depict portions of the solar lamp that form no part of the claimed design.

1 Claim, 8 Drawing Sheets



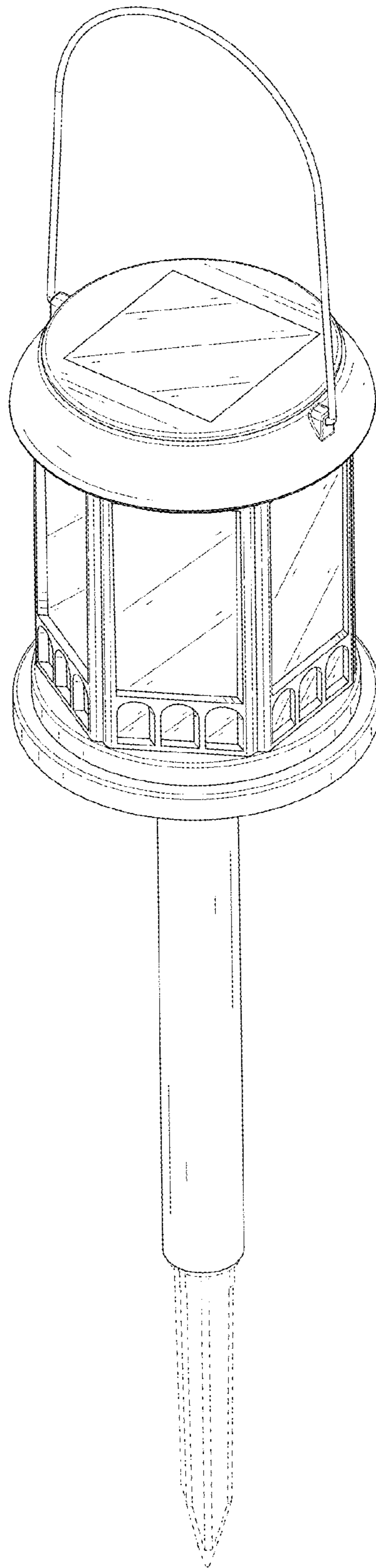


FIG. 1

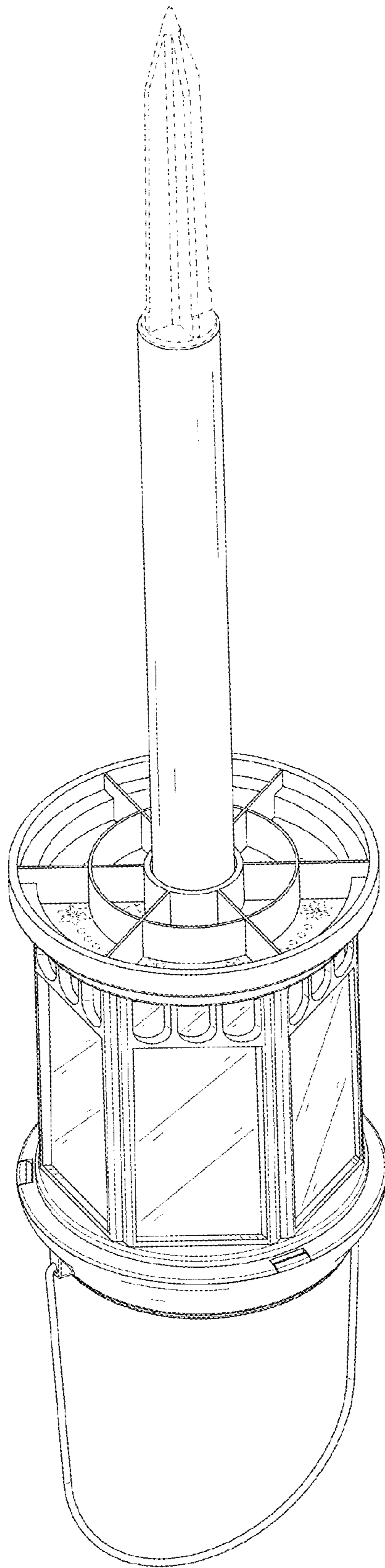


FIG. 2

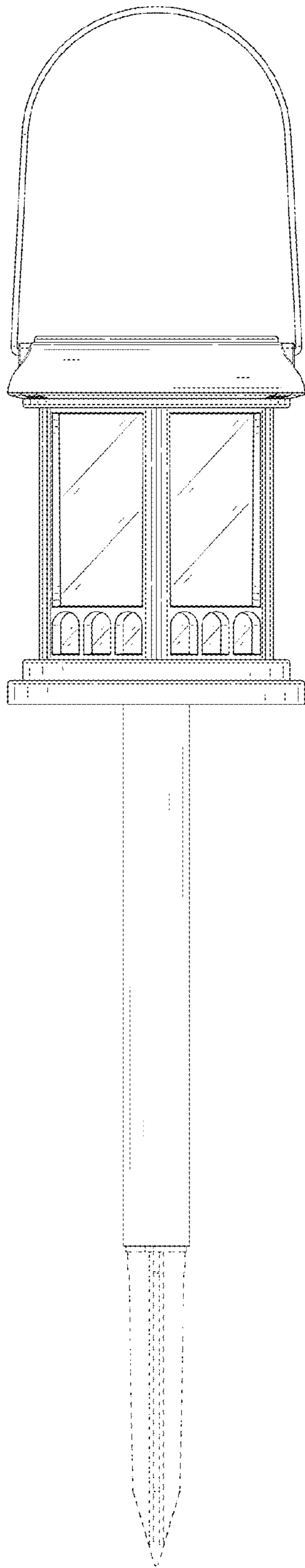


FIG. 3

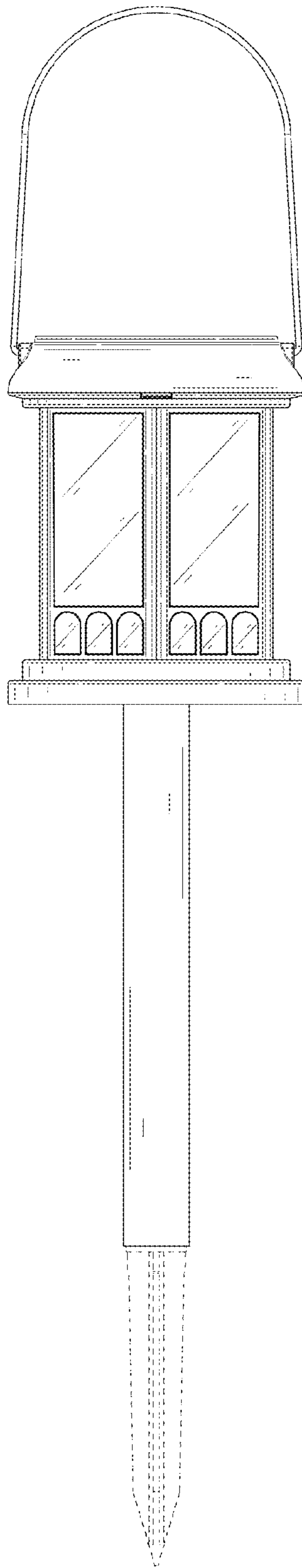


FIG. 4

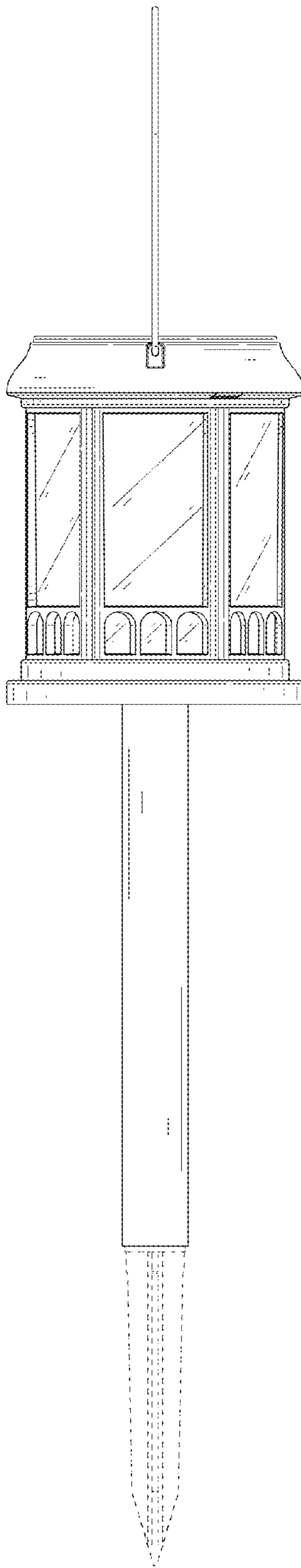


FIG. 5

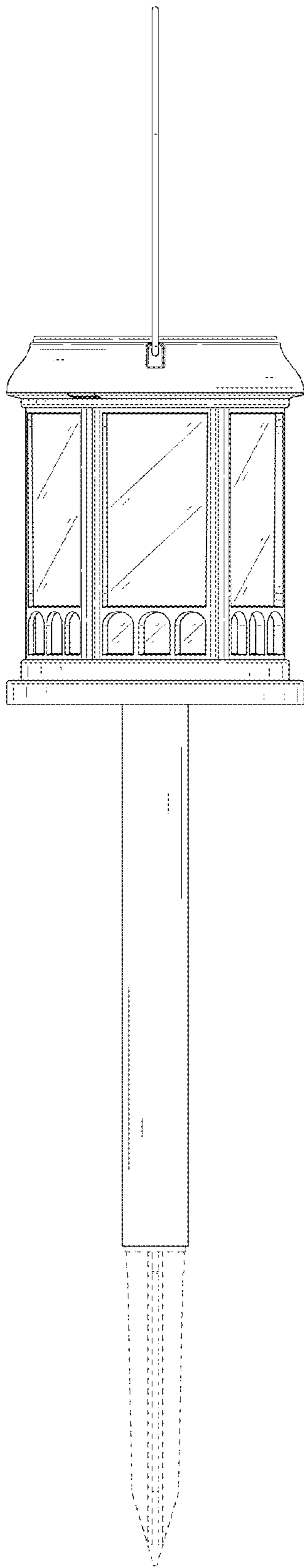


FIG. 6

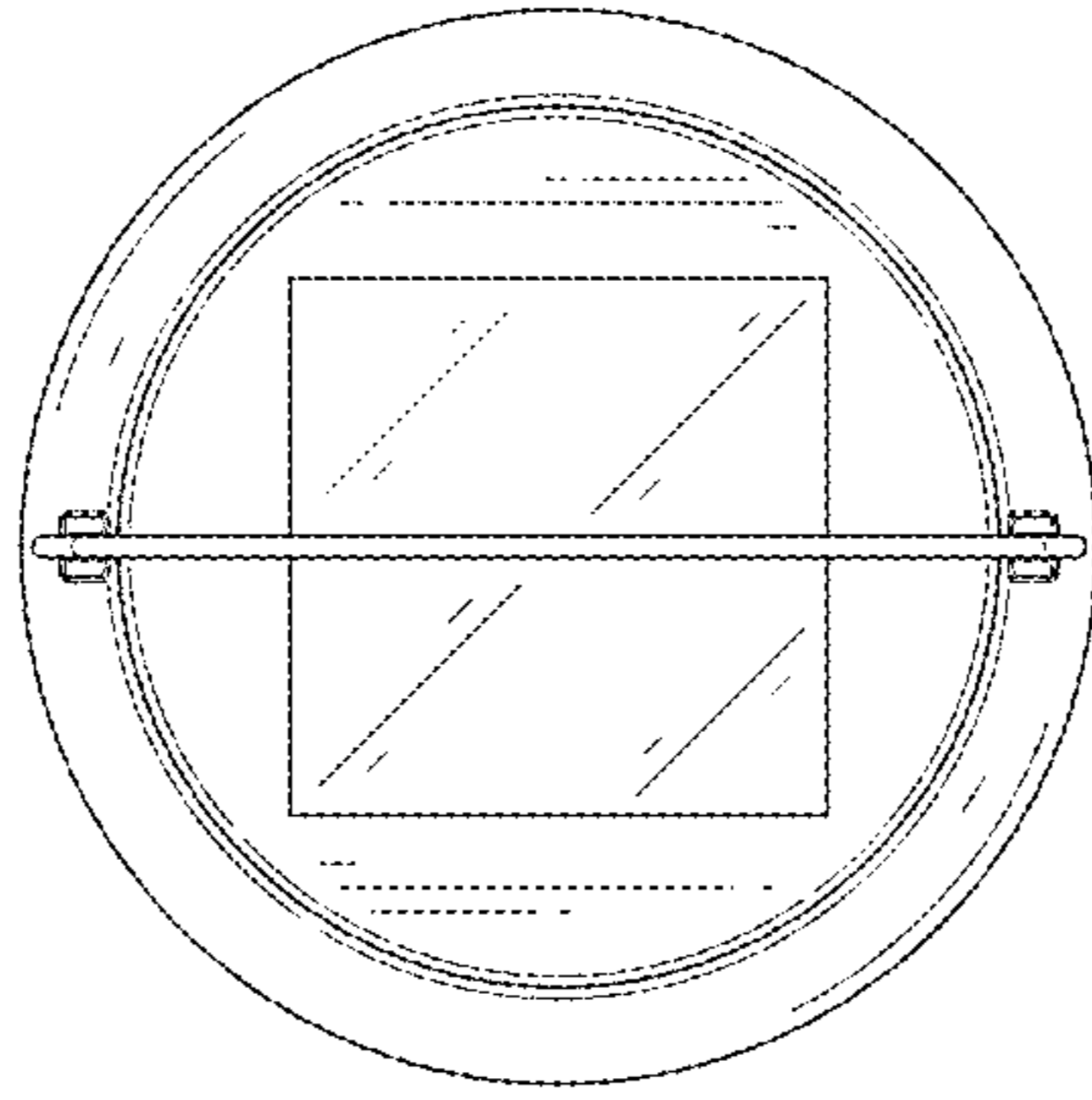


FIG. 7

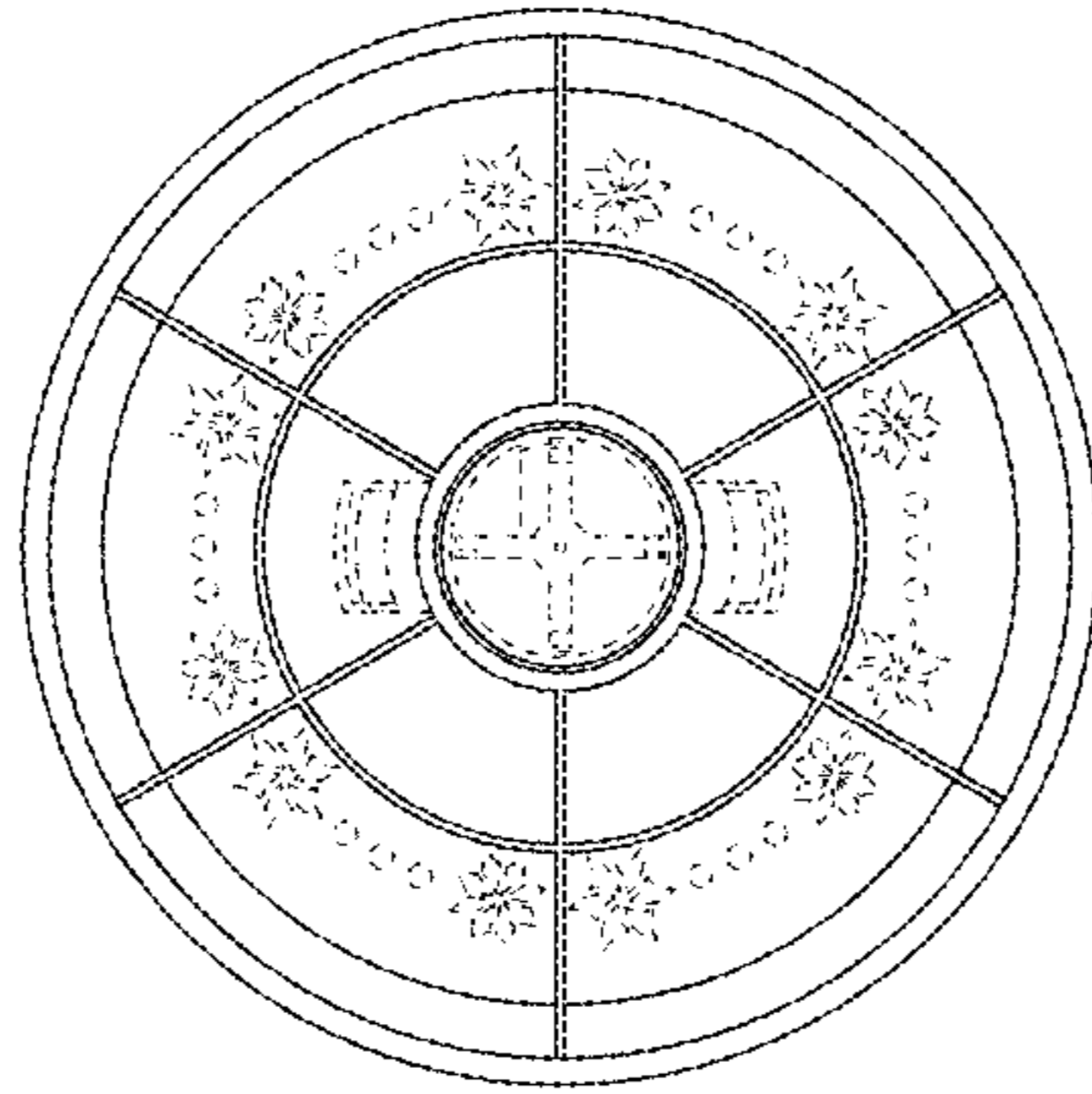


FIG. 8