



US00D947433S

(12) **United States Design Patent**  
**Jones**

(10) **Patent No.:** **US D947,433 S**  
(45) **Date of Patent:** **\*\* Mar. 29, 2022**

- (54) **DESKTOP LAMP HEADPIECE**
- (71) Applicant: **Substance, LLC**, Birmingham, AL (US)
- (72) Inventor: **Stuart A. Jones**, Birmingham, AL (US)
- (73) Assignee: **Substance, LLC**, Birmingham, AL (US)
- (\*\*) Term: **15 Years**
- (21) Appl. No.: **29/739,898**
- (22) Filed: **Jun. 30, 2020**
- (51) **LOC (13) Cl.** ..... **26-05**
- (52) **U.S. Cl.**  
USPC ..... **D26/63**
- (58) **Field of Classification Search**  
USPC ..... D26/24, 51, 56, 61, 63, 64, 65, 72, 93, D26/94, 100, 106, 107; D16/237, 239, D16/244, 245  
CPC .... F21S 6/00; F21S 6/002; F21S 6/003; F21S 6/004; F21S 6/005; F21S 6/006; F21S 8/036; F21V 21/06; F21V 21/14; F21V 21/26; F21V 21/30; F21V 12/01  
See application file for complete search history.

- D905,310 S \* 12/2020 Wen ..... D26/63
- D907,836 S \* 1/2021 Zhou ..... D26/106
- D909,649 S \* 2/2021 Chu ..... D26/63
- D929,026 S \* 8/2021 Feng ..... D26/106

(Continued)

*Primary Examiner* — Wan Laymon  
*Assistant Examiner* — Clint A Samuel  
(74) *Attorney, Agent, or Firm* — Bush Intellectual Property Law; Kenneth M. Bush

(57) **CLAIM**

I claim the ornamental design for a desktop lamp headpiece, as shown and described.

**DESCRIPTION**

FIG. 1 is a top, front, left side perspective view of a desktop lamp headpiece showing my new design, shown in reduced scale, and shown attached to a desktop lamp base, the desktop lamp base being shown in broken lines for the purpose of illustrating environmental structure and forming no part of the claimed design;

FIG. 2 is a top, front, left side perspective view thereof, shown in reduced scale, and shown attached to a desktop lamp base and holding a smart device, the desktop lamp base and smart device being shown in broken lines for the purpose of illustrating environmental structures and forming no part of the claimed design;

FIG. 3 is a top, rear, left side perspective view thereof;

FIG. 4 is a bottom, rear, right side perspective view thereof;

FIG. 5 is a top plan view thereof;

FIG. 6 is a bottom plan view thereof;

FIG. 7 is a left side elevation view thereof, the right side elevation view being a mirror image of the left side elevation view;

FIG. 8 is a rear elevation view thereof; and,

FIG. 9 is a front elevation view thereof.

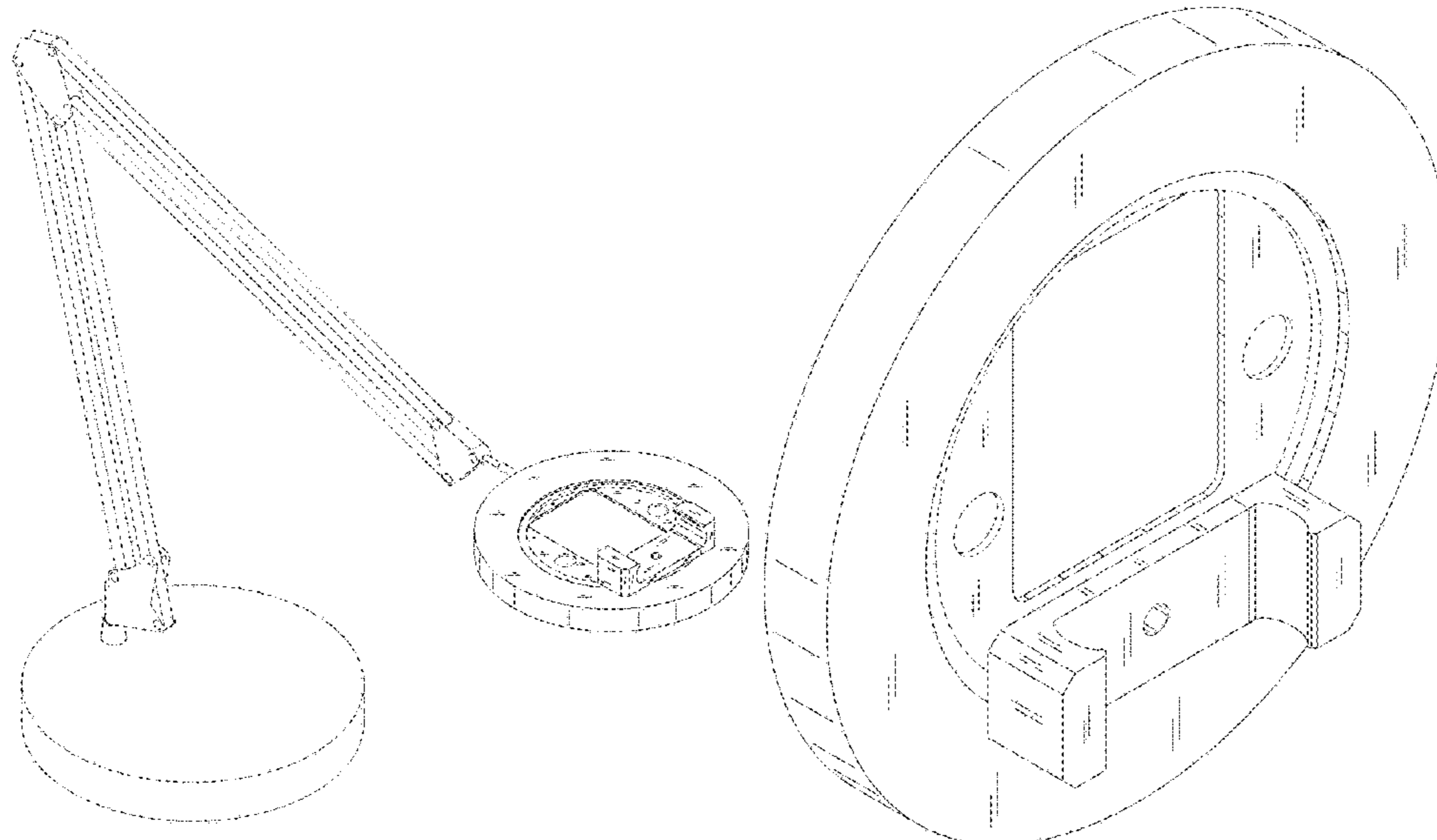
In the Figures, the broken lines illustrate portions of the desktop lamp headpiece that form no part of the claimed design.

(56) **References Cited**

U.S. PATENT DOCUMENTS

- D622,883 S \* 8/2010 Huang ..... D26/63
- D698,962 S \* 2/2014 Waldmann ..... D26/51
- D768,324 S \* 10/2016 Waldmann ..... D26/63
- D776,316 S \* 1/2017 Kim ..... D26/51
- D776,319 S \* 1/2017 Sato ..... D26/63
- 9,719,641 B1 \* 8/2017 Volek ..... F21V 7/00
- D804,073 S \* 11/2017 Fan ..... D26/65
- D805,232 S \* 12/2017 Volek ..... D26/63
- D860,495 S \* 9/2019 Waldmann ..... D26/65
- D860,496 S \* 9/2019 Waldmann ..... D26/65
- D895,877 S \* 9/2020 Kaiser ..... D26/72

**1 Claim, 8 Drawing Sheets**



(56)

**References Cited**

U.S. PATENT DOCUMENTS

D930,224 S \* 9/2021 Lin ..... D26/106  
D930,886 S \* 9/2021 Xiao ..... D26/106  
D932,081 S \* 9/2021 Wang ..... D26/60

\* cited by examiner

FIG. 1

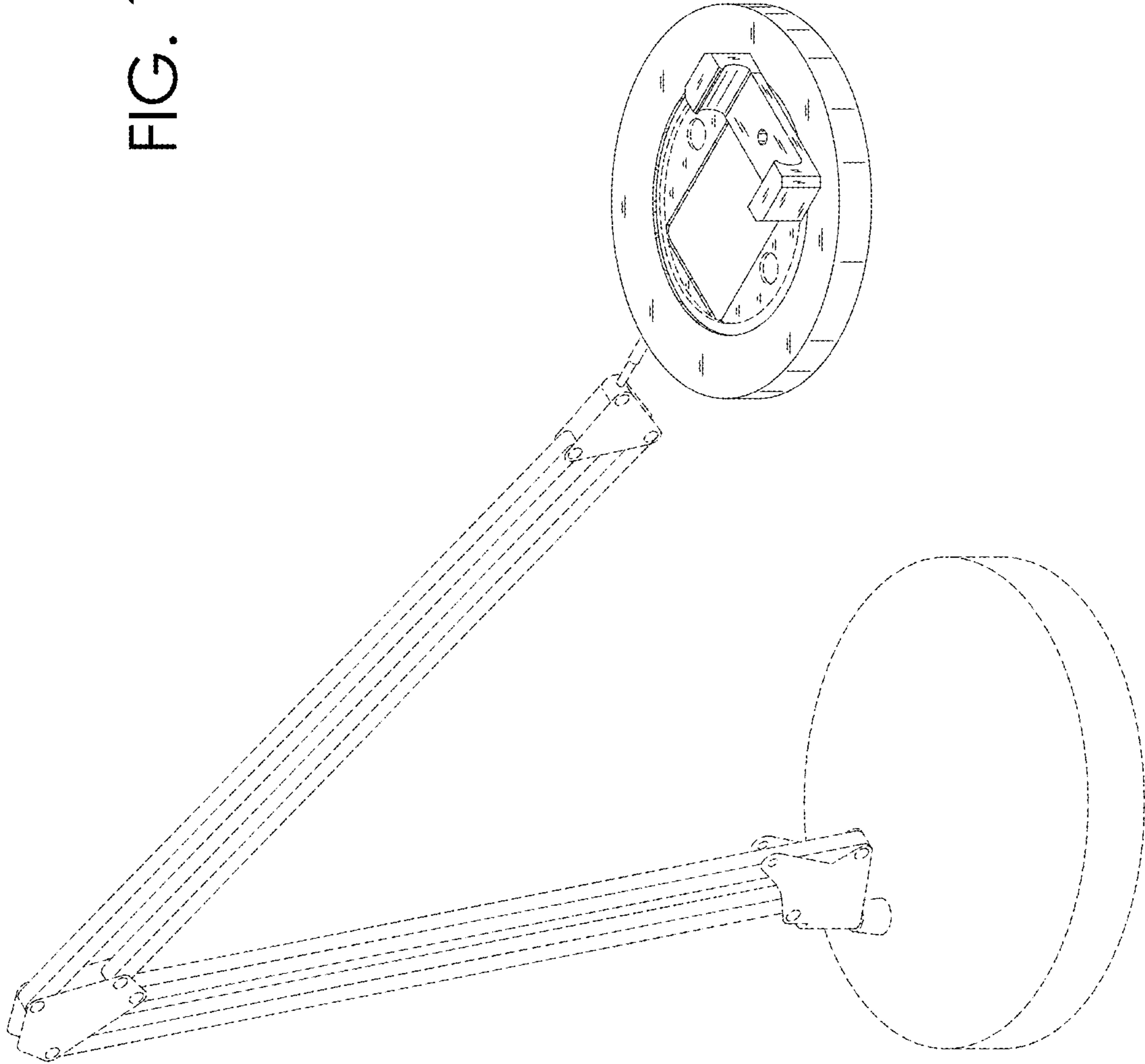
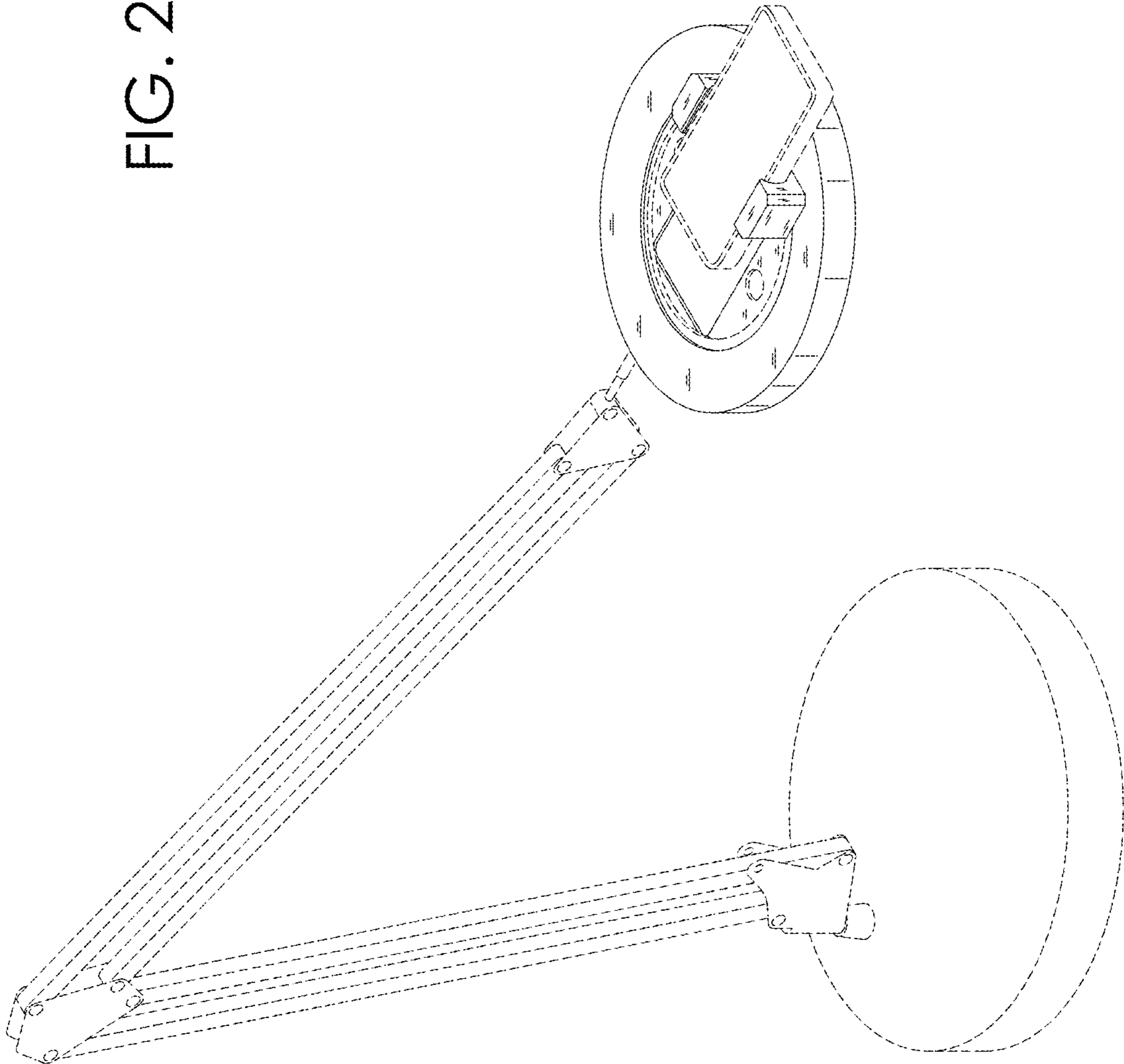


FIG. 2



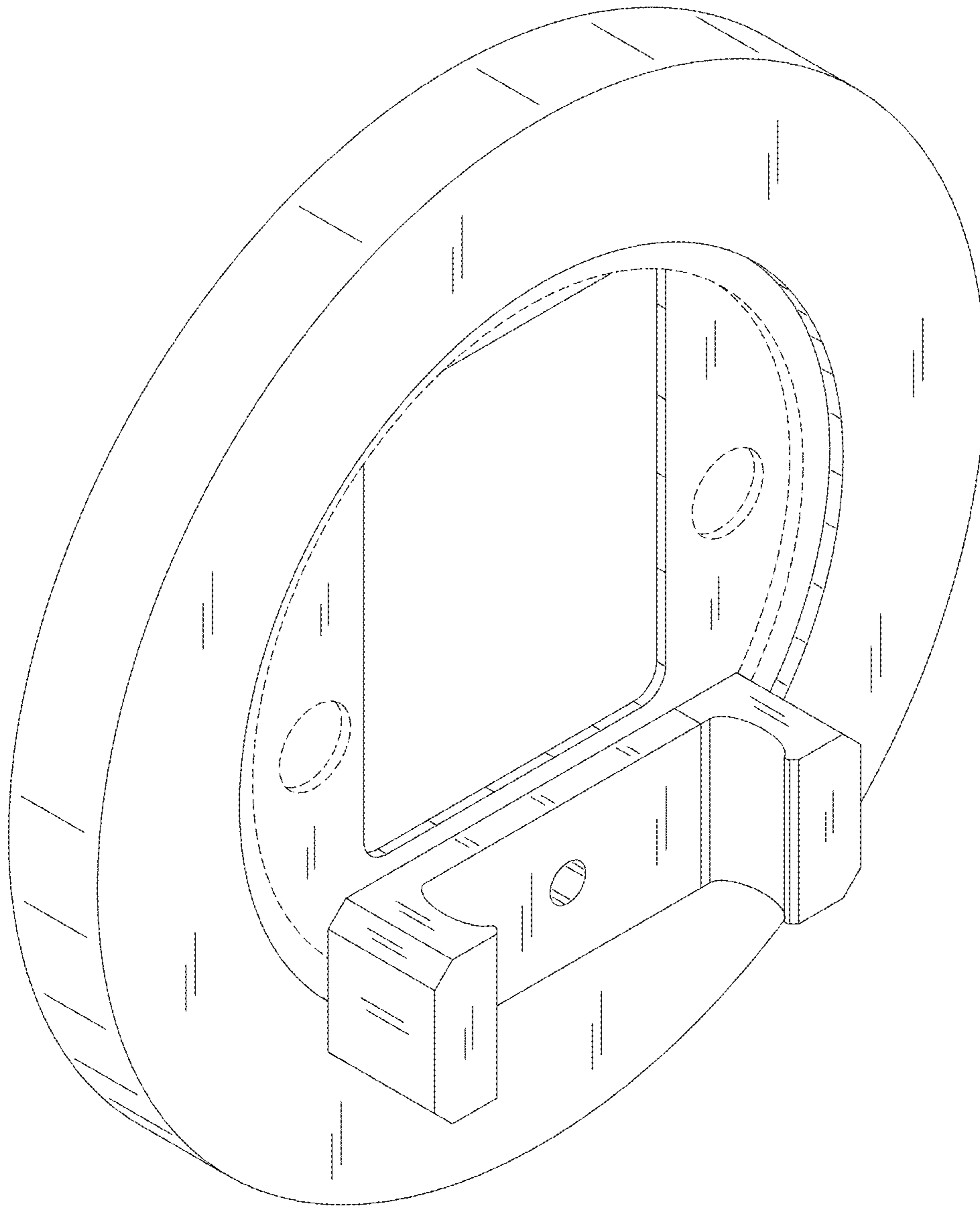


FIG. 3

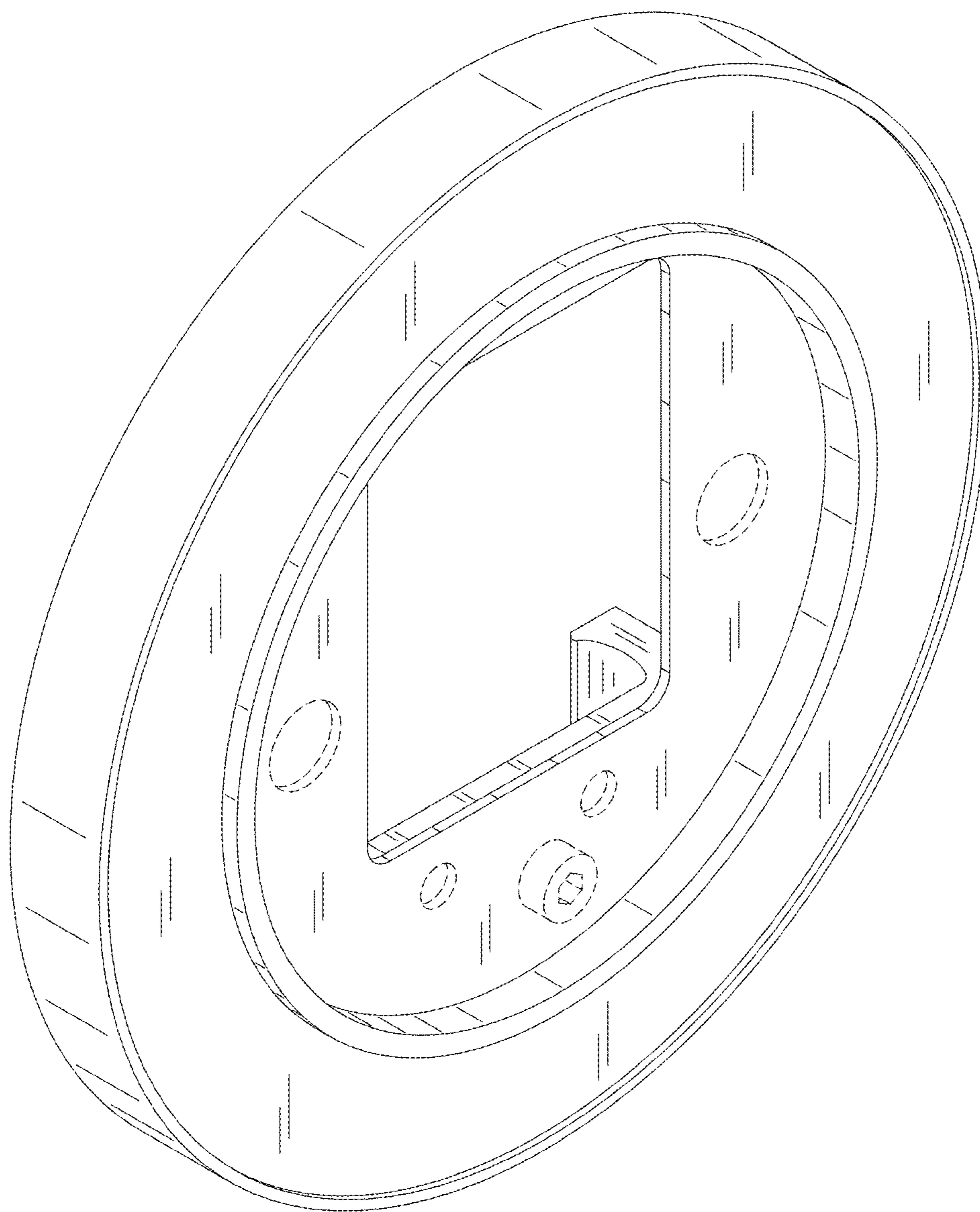


FIG. 4

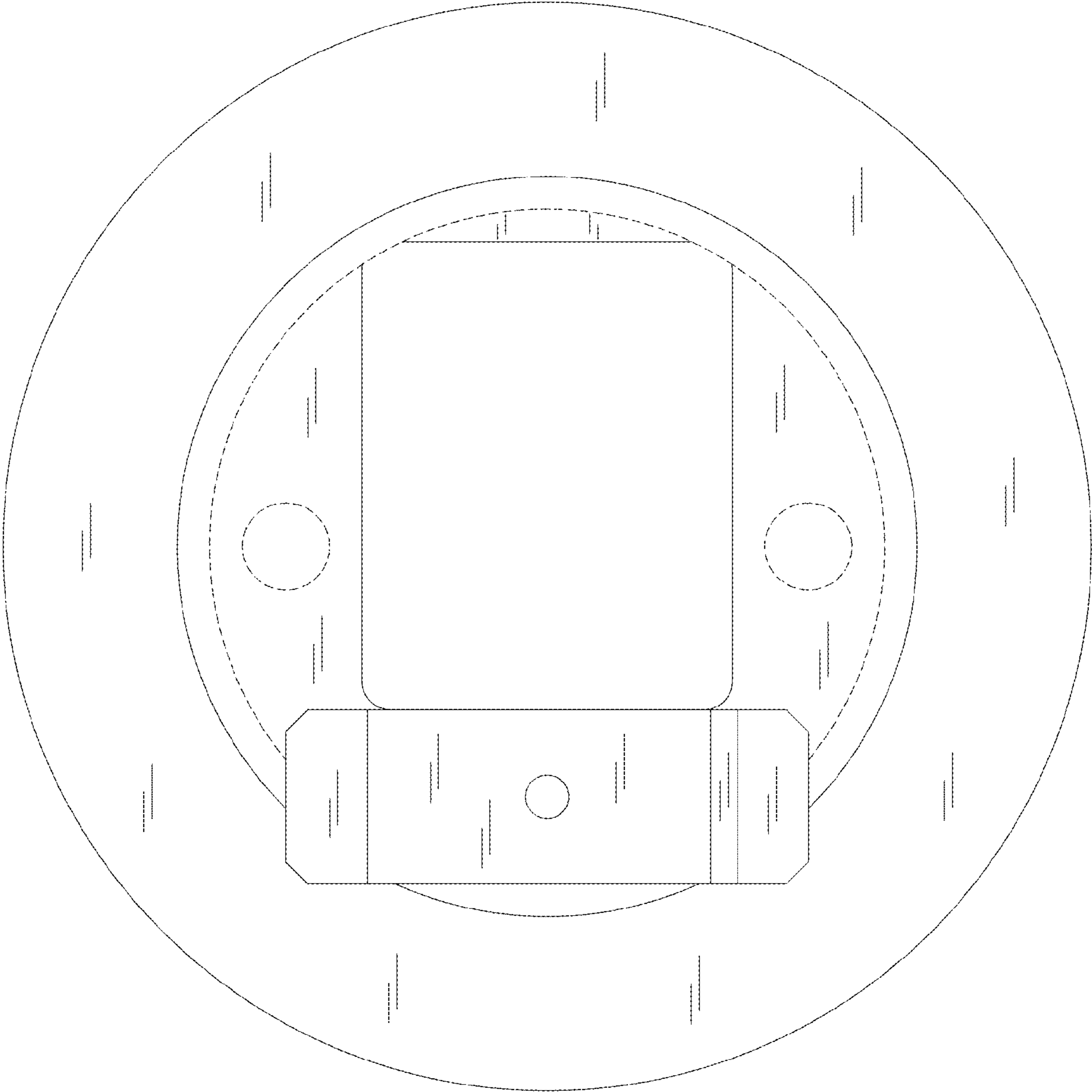


FIG. 5

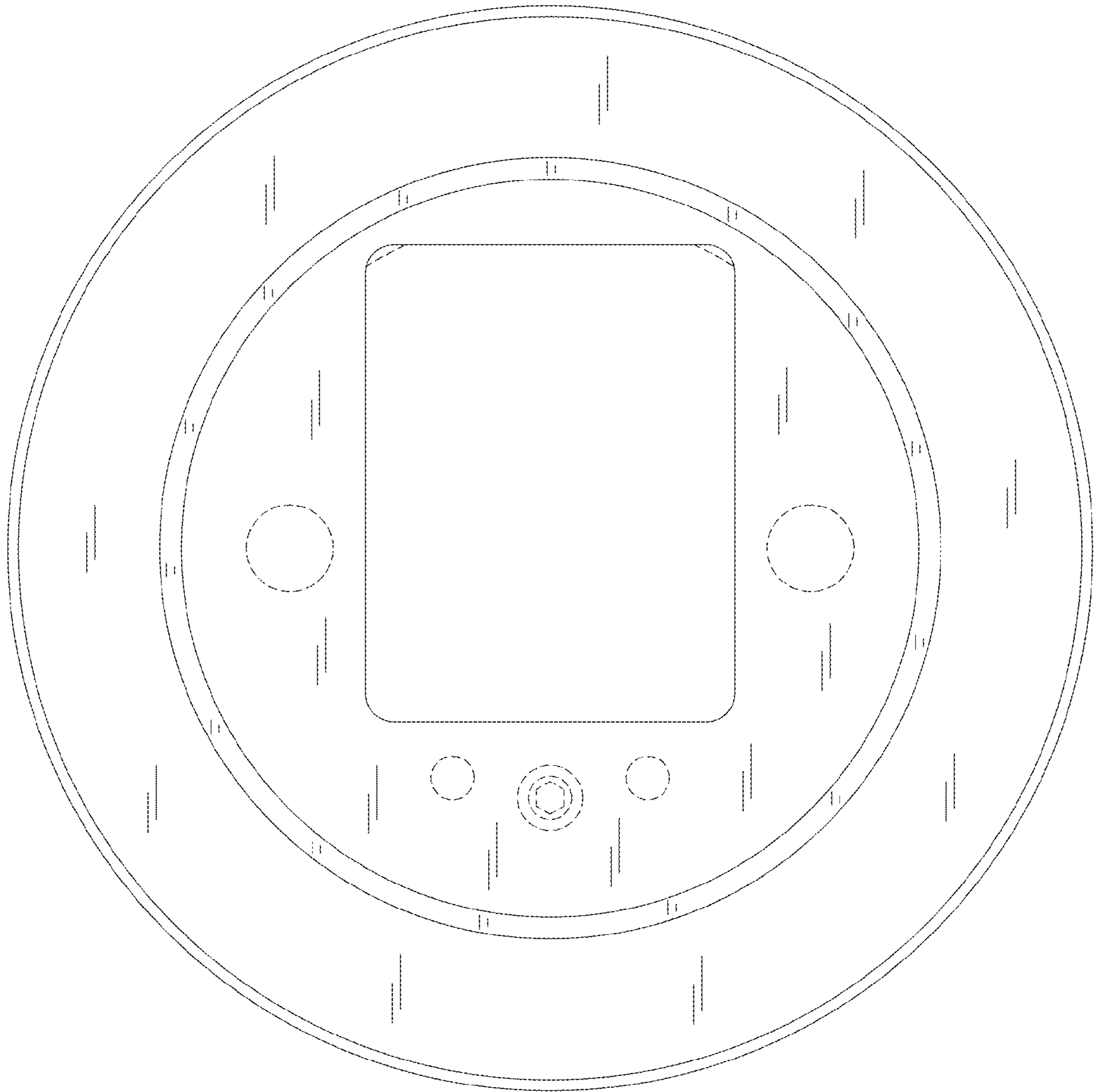


FIG. 6



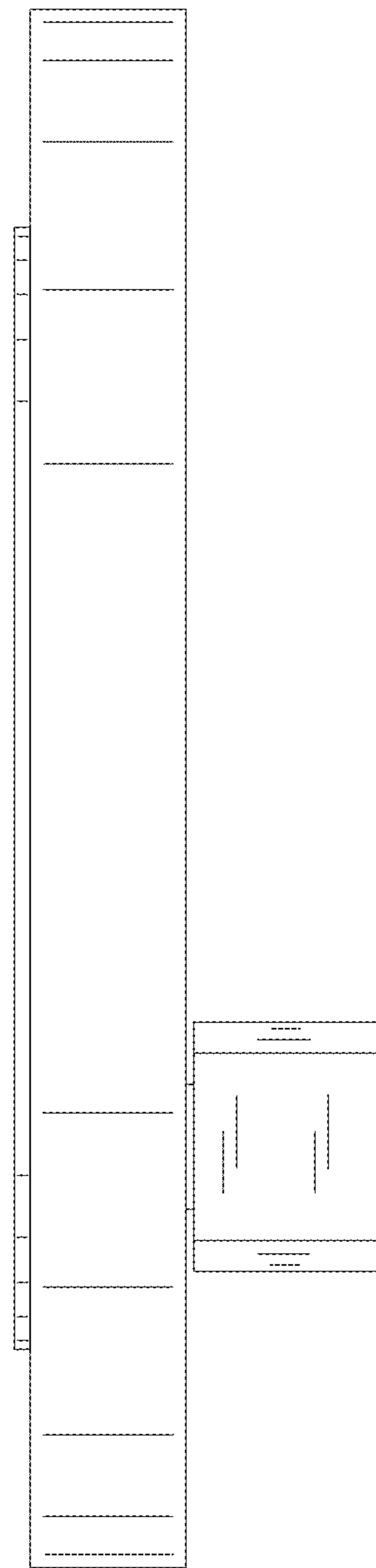


FIG. 7

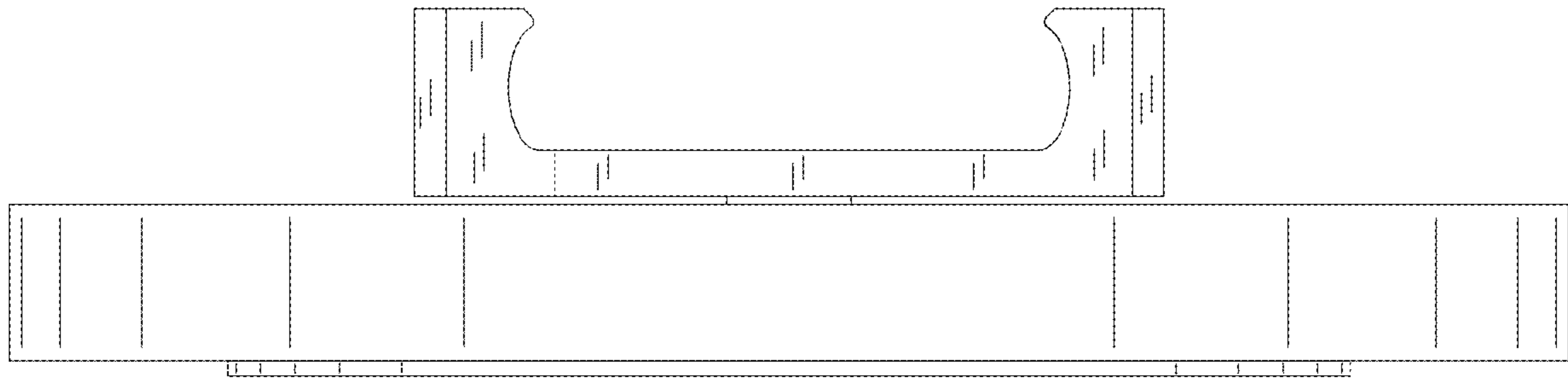


FIG. 8

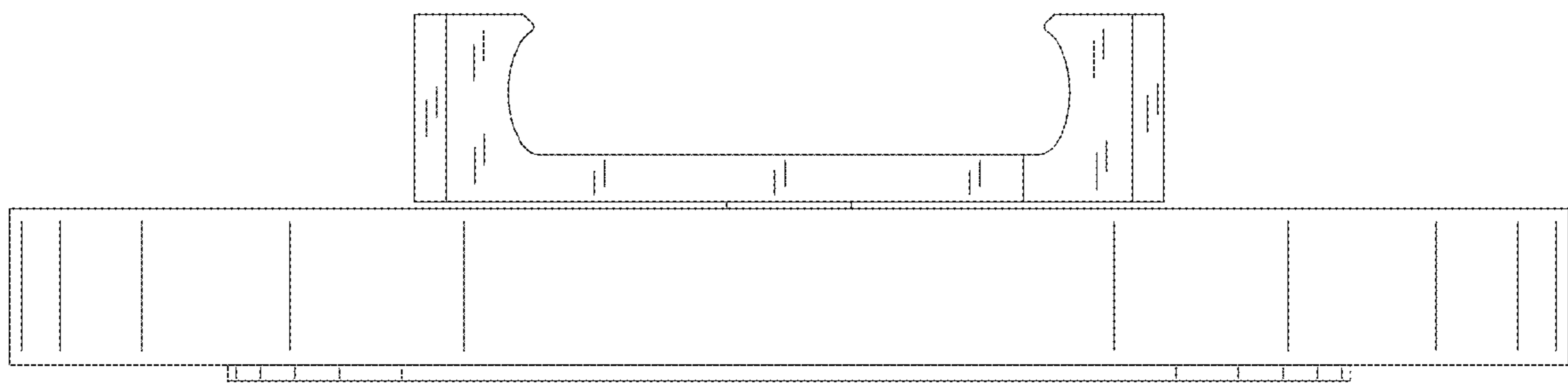


FIG. 9