



US00D947430S

(12) **United States Design Patent**
Wu

(10) **Patent No.:** **US D947,430 S**
(45) **Date of Patent:** **** Mar. 29, 2022**

- (54) **LANTERN**
- (71) Applicant: **Liuning Wu**, Ningbo (CN)
- (72) Inventor: **Liuning Wu**, Ningbo (CN)
- (73) Assignee: **Ningbo Worth International Trade Co. Ltd.**, Ningbo (CN)
- (**) Term: **15 Years**
- (21) Appl. No.: **29/738,441**
- (22) Filed: **Jun. 17, 2020**
- (51) **LOC (13) Cl.** **26-02**
- (52) **U.S. Cl.**
USPC **D26/37**; D26/40; D26/41
- (58) **Field of Classification Search**
USPC D26/9, 10, 20, 22, 24, 26–27, 37–52,
D26/113, 118–120; D14/172, 194–195,
D14/204, 215–216; D10/104.1, 106.1,
D10/106.8–106.9
CPC F21Y 2115/10; F21Y 2101/00; F21Y
2113/13; F21Y 2113/00; F21Y 2113/20;
F21Y 2103/10; F21Y 2105/10; F21Y
2107/30; F21Y 2113/10; F21L 4/08; F21L
4/00; F21L 4/02; F21L 19/00; F21L 2/00;
F21L 4/027; F21L 4/04; F21L 26/00;
F21L 13/00; F21L 14/00; F21L 15/08;
F21L 19/003; F21L 19/006; F21L 27/00;
F21L 4/005; F21L 4/025; F21L 4/045;
F21L 4/06; F21W 2121/00; F21W
2111/10; F21W 2131/10; F21W
2131/109; F21W 2111/00; F21W 2111/04;
F21W 2111/043; F21W 2111/047; F21W
2111/06; F21W 2121/004; F21W
2131/1005; F21W 2131/103; F21W
2131/40; F21V 23/0414; F21V 15/01;
F21V 21/145; F21V 21/406; F21V 21/08;
F21V 33/008; F21V 1/06; F21V 21/0885;
F21V 33/0028; F21V 17/007; F21V
21/06; F21V 21/084; F21V 21/22; F21V
33/0056; F21V 35/00; F21V 3/00; F21V
5/006; F21V 7/04; F21V 7/041; F21V

17/002; F21V 21/0824; F21V 21/0832;
F21V 23/04; F21V 23/0435; F21V
23/0464; F21V 3/023; F21V 5/04; F21V
9/30; F21V 14/00; F21V 17/107; F21V
17/16; F21V 21/088; F21V 21/0965;
F21V 23/003; F21V 23/004; F21V
23/0428; F21V 23/0442; F21V 23/0471;
F21V 23/06; F21V 29/89; F21V 31/005;
F21V 33/0076; F21V 7/0025; F21V
7/0075; F21V 11/00; F21V 11/08; F21V
11/10; F21V 11/14; F21V 13/02; F21V
13/04; F21V 13/045; F21V 13/12; F21V
14/025; F21V 14/045; F21V 15/012;
F21V 15/02;

(Continued)

(56) **References Cited**

U.S. PATENT DOCUMENTS

D519,658 S * 4/2006 Izardel D26/40
D560,010 S * 1/2008 Kwok D26/40
(Continued)

Primary Examiner — Marissa J Cash
Assistant Examiner — William B Melliar
(74) *Attorney, Agent, or Firm* — Minta Law Group LC;
Veronica-Adele R. Cao

(57) **CLAIM**

The ornamental design for a lantern, as shown and described.

DESCRIPTION

FIG. 1 is a top front perspective view of the lantern, showing my new design;
FIG. 2 is a bottom rear perspective view thereof;
FIG. 3 is a front view thereof;
FIG. 4 is a rear view thereof;
FIG. 5 is a left side view thereof;
FIG. 6 is a right side view thereof;

(Continued)

FIG. 7 is a top view thereof; and,
FIG. 8 is a bottom view of the lantern.

1 Claim, 8 Drawing Sheets

(58) **Field of Classification Search**

CPC F21V 17/02; F21V 17/06; F21V 17/101;
F21V 17/105; F21V 17/18; F21V 19/001;
F21V 19/047; F21V 19/06; F21V 1/02;
F21V 1/14; F21V 1/18; F21V 21/10;
F21V 21/14; F21V 21/30; F21V 21/40;
F21V 23/002; F21V 23/005; F21V 23/02;
F21V 23/0421; F21V 23/0492; F21V
29/505; F21V 29/51; F21V 29/717; F21V
29/74; F21V 29/75; F21V 29/76; F21V
29/763; F21V 29/83; F21V 31/04; F21V
33/00; F21V 33/0024; F21V 36/00; F21V
37/00; F21V 37/0004; F21V 37/0058;
F21V 37/02; F21V 3/02; F21V 3/062;
F21V 5/045; F21V 7/00; F21V 7/0008;
F21V 7/0016; F21V 7/22; F21V 9/08;
F21V 9/083

See application file for complete search history.

(56)

References Cited

U.S. PATENT DOCUMENTS

D563,594	S	*	3/2008	Held	D26/110
D608,036	S	*	1/2010	Lee	D26/40
D617,480	S	*	6/2010	DeBrunner	D26/40
D696,892	S	*	1/2014	Bretillot	D7/316
D773,704	S	*	12/2016	Pardo	D26/41
D783,872	S	*	4/2017	Aksnes	D26/41
D808,927	S	*	1/2018	Schaal	D14/216
D829,689	S	*	10/2018	Kim	D14/216
D835,600	S	*	12/2018	Weiss	D14/204
D844,203	S	*	3/2019	Ma	D26/41
D845,527	S	*	4/2019	Hsu	D26/41
D850,017	S	*	5/2019	Brucato	D30/132
D882,841	S	*	4/2020	Zhuo	D26/51
D884,603	S	*	5/2020	Xie	D13/103
10,652,642	B1	*	5/2020	Rakusin	G02B 19/0009
D886,772	S	*	6/2020	Xiong	D14/204
D887,390	S	*	6/2020	Weiss	D14/204
D903,173	S	*	11/2020	Zhu	D26/41
D905,049	S	*	12/2020	Lu	D14/314
D931,830	S	*	9/2021	He	D14/204

* cited by examiner

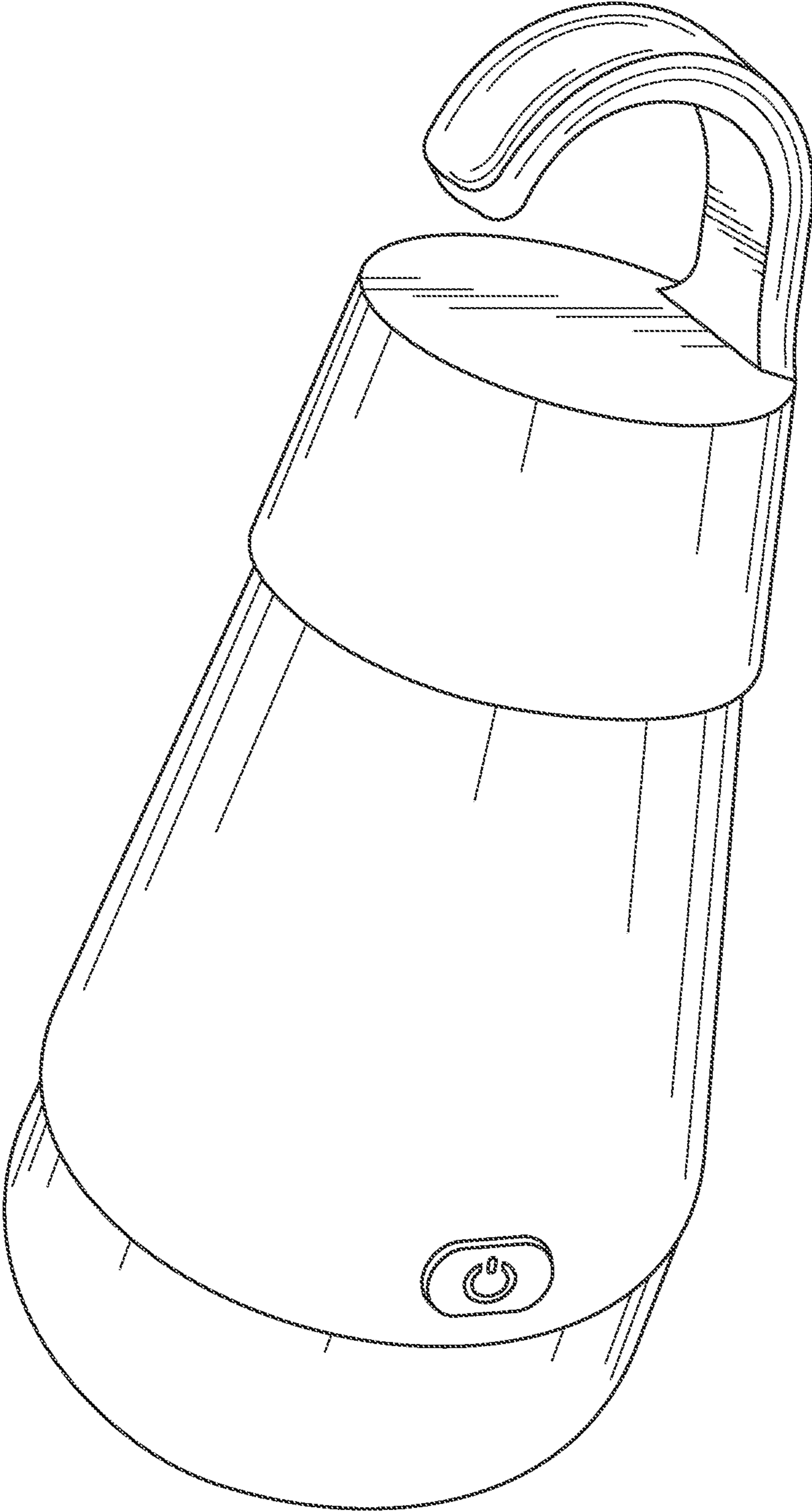


FIG. 1

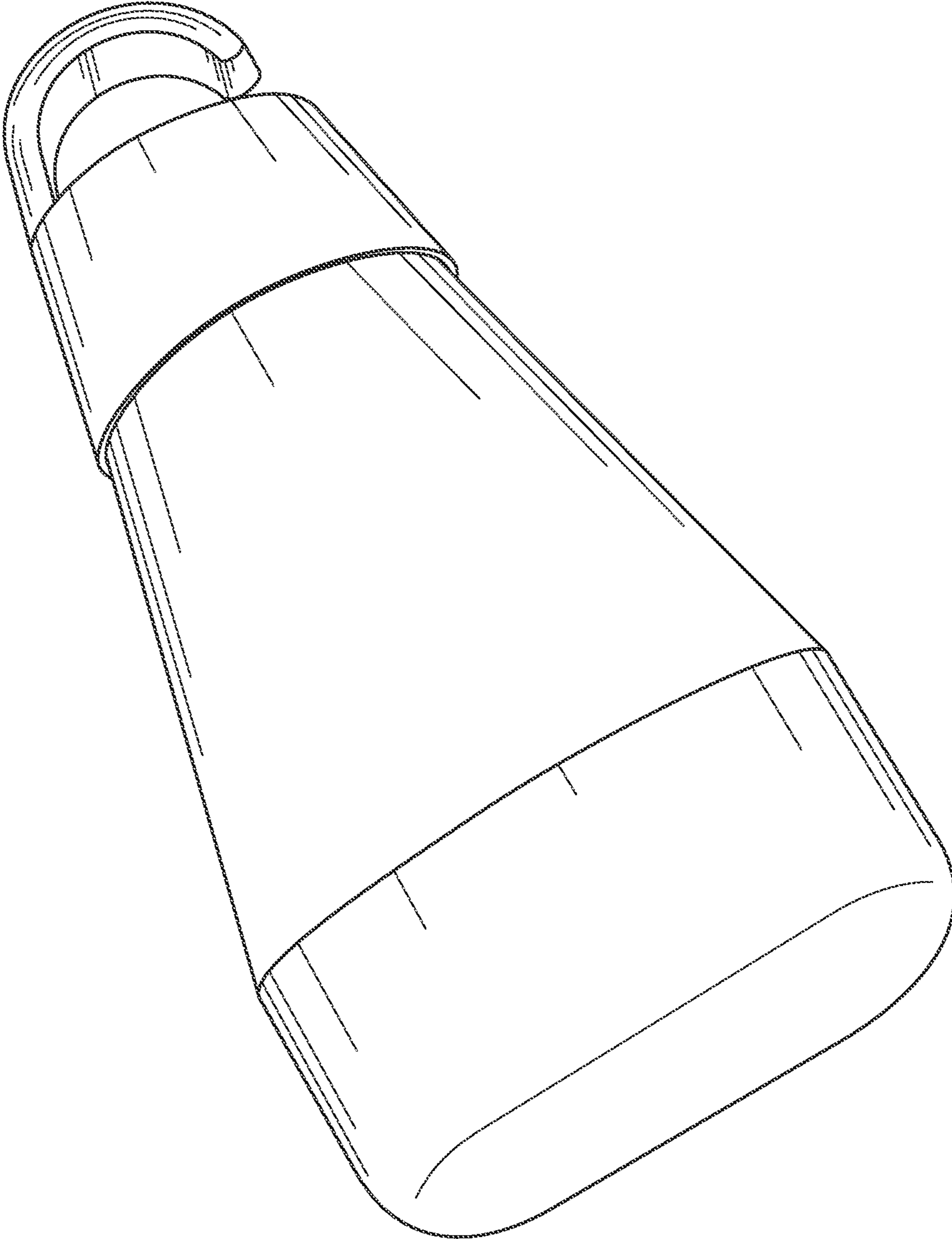


FIG. 2

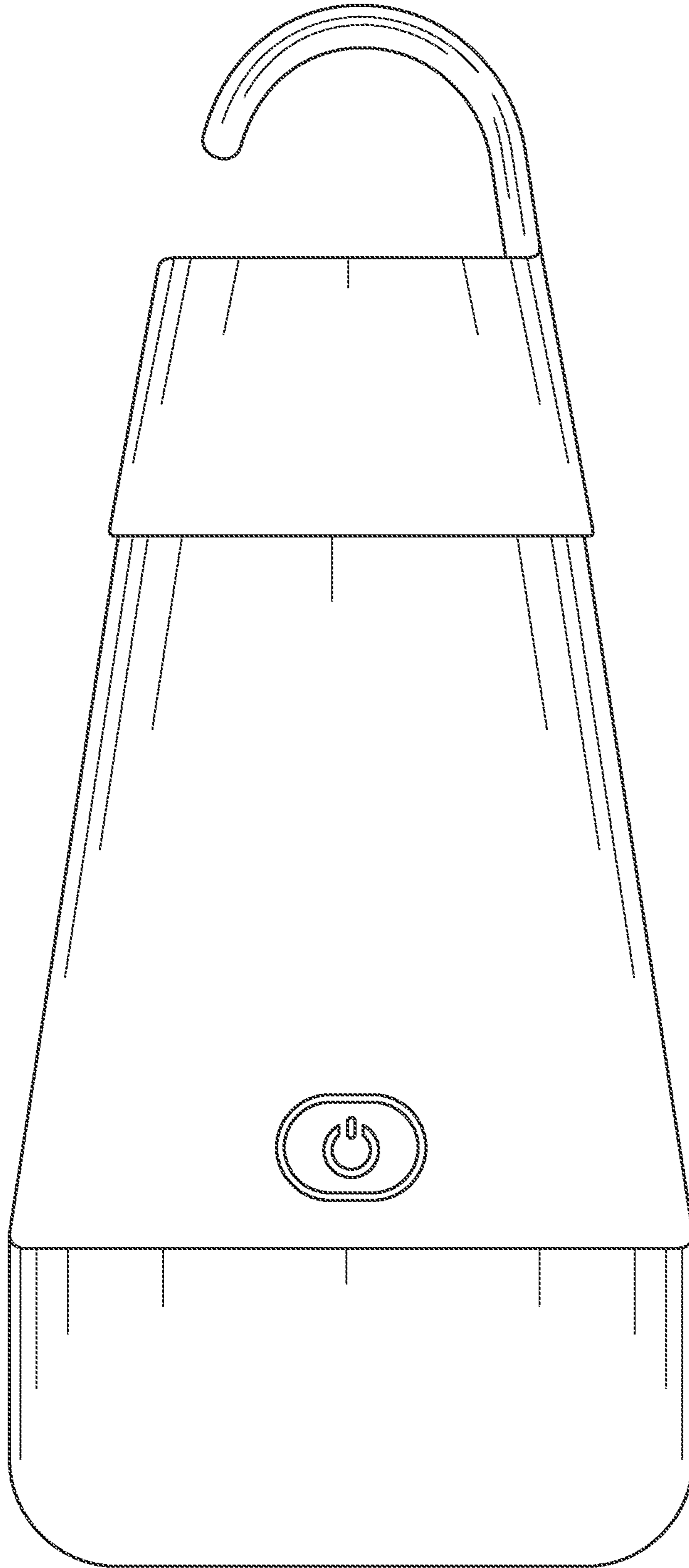


FIG. 3

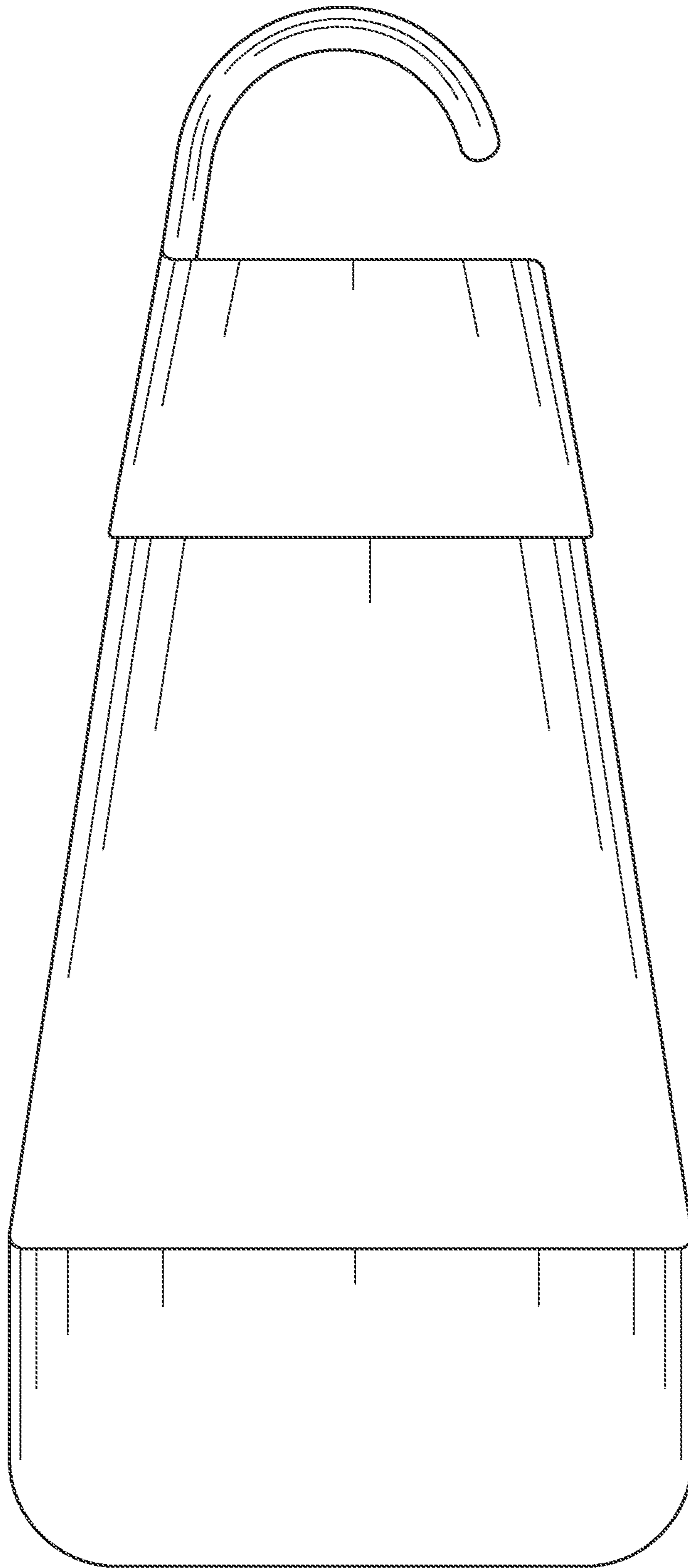


FIG. 4

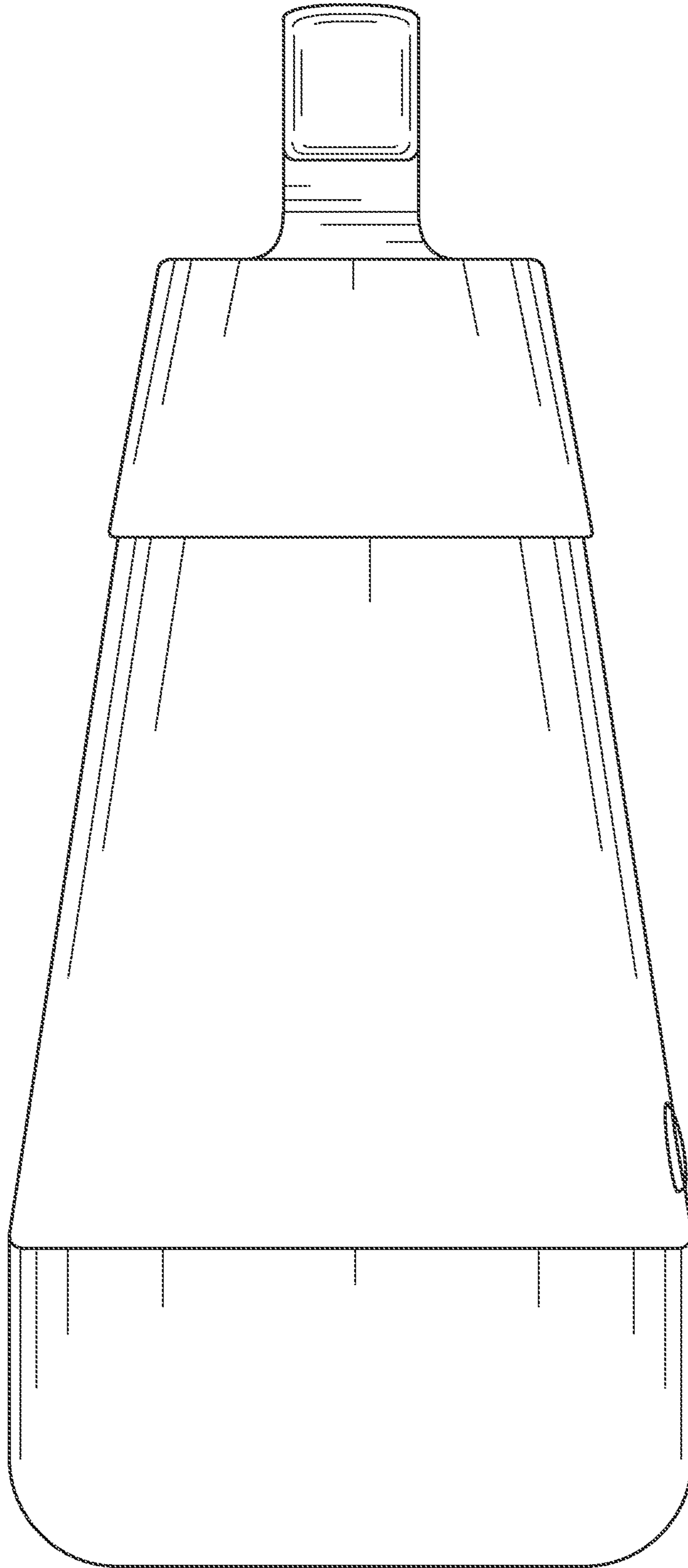


FIG. 5

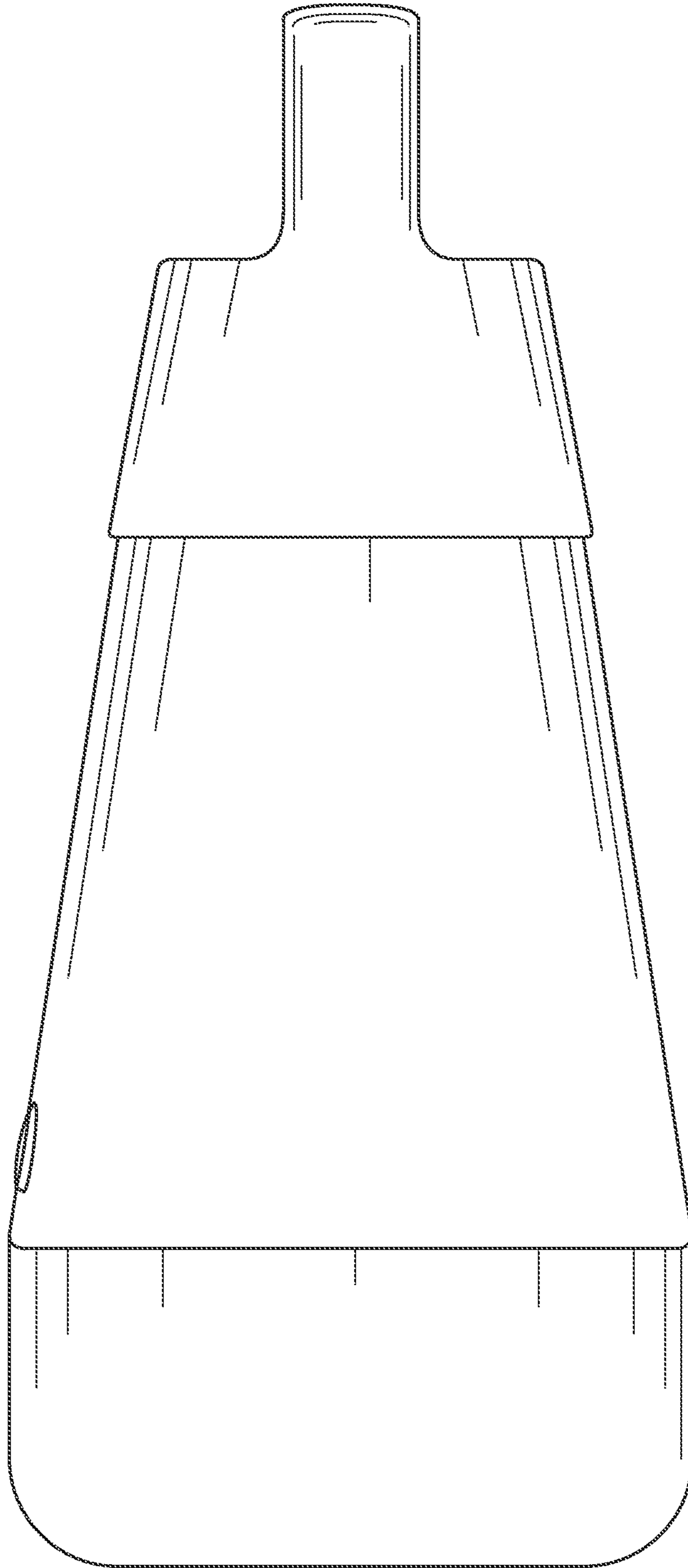


FIG. 6

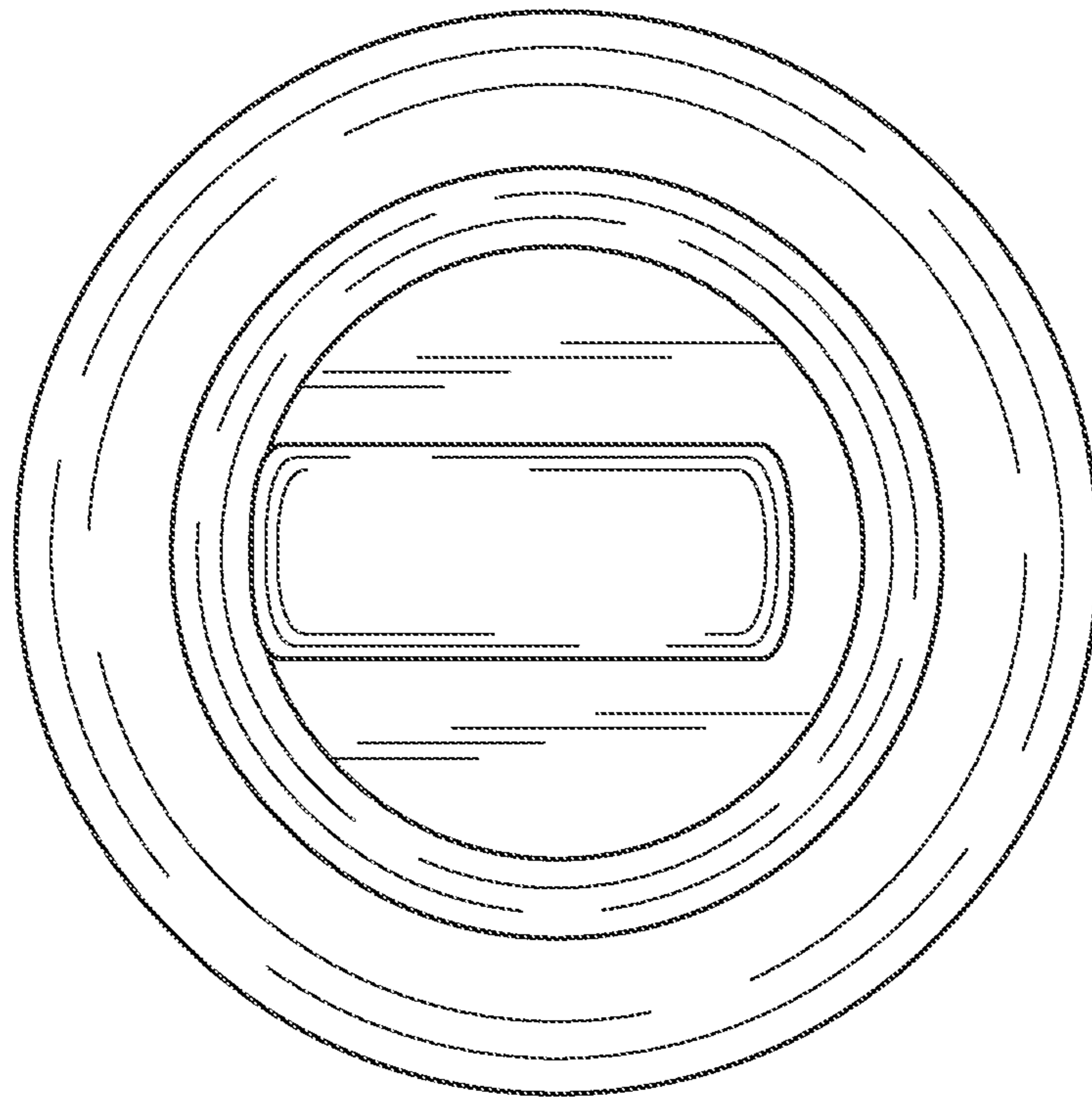


FIG. 7

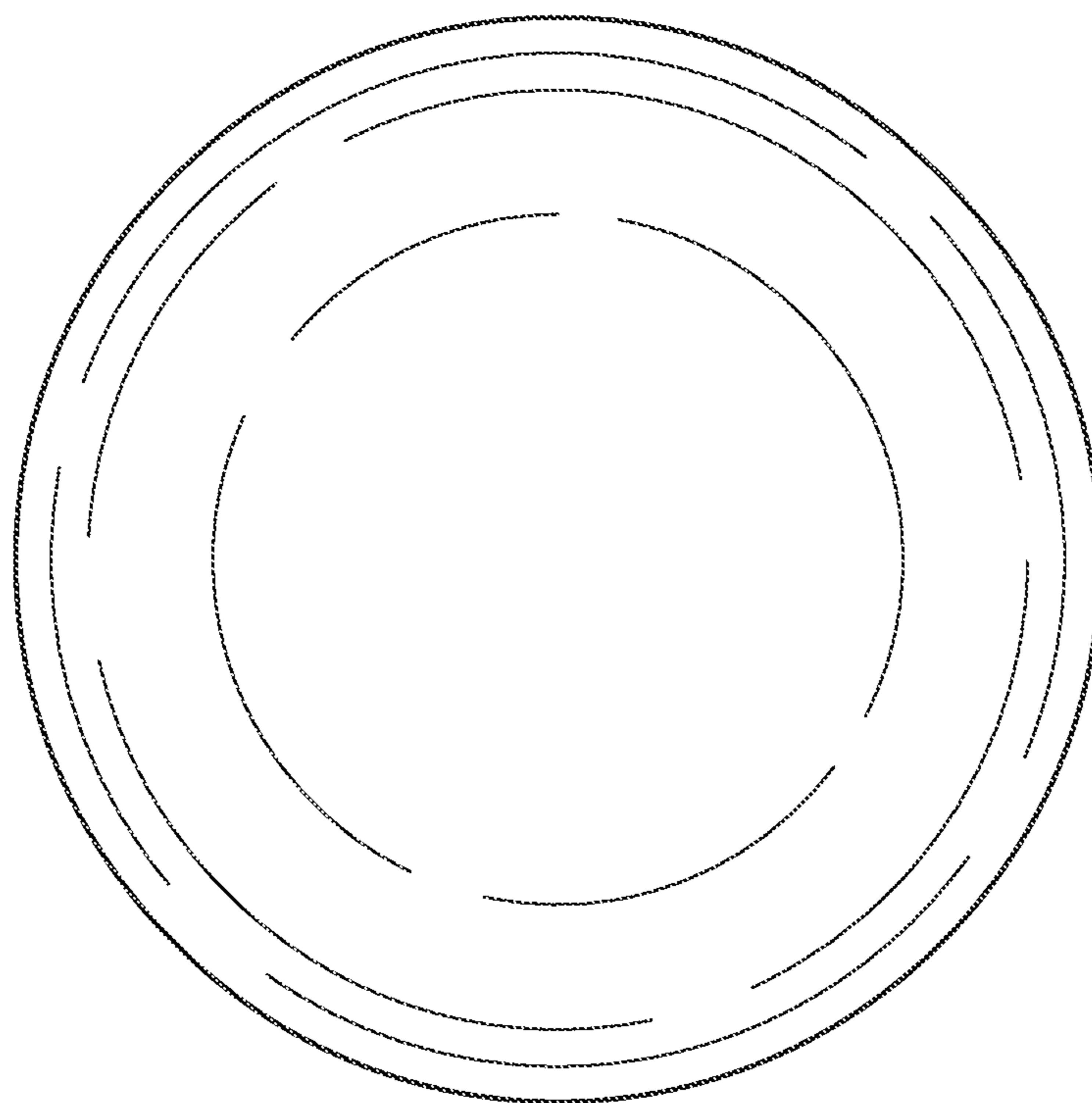


FIG. 8