



US00D947428S

(12) **United States Design Patent** (10) **Patent No.:** **US D947,428 S**
Hur et al. (45) **Date of Patent:** **** Mar. 29, 2022**

(54) **HEAD LAMP FOR AUTOMOBILE**

(56) **References Cited**

(71) Applicants: **HYUNDAI MOTOR COMPANY**,
Seoul (KR); **KIA MOTORS**
CORPORATION, Seoul (KR)

(72) Inventors: **Jung-Taik Hur**, Gyeonggi-do (KR);
Oh-Young Kwon, Suwon-si (KR);
Hyeong-Seon Kim, Anyang-si (KR);
Hwi-Eon Kim, Hwaseong-si (KR)

(73) Assignees: **Hyundai Motor Company**, Seoul
(KR); **Kia Motors Corporation**, Seoul
(KR)

U.S. PATENT DOCUMENTS

D783,189 S *	4/2017	Nishii	D26/28
D787,726 S *	5/2017	Hong	D26/28
D788,956 S *	6/2017	Hong	D26/28
D794,851 S *	8/2017	Youn	D26/28
D794,853 S *	8/2017	Lai	D26/28
D803,433 S *	11/2017	Yang	D26/28
D814,080 S *	3/2018	Ha	D26/28
D818,164 S *	5/2018	Ha	D26/28
D827,885 S *	9/2018	Hannemann	D26/28
D828,590 S *	9/2018	Hannemann	D26/28
D829,947 S *	10/2018	Jung	D26/28
D830,591 S *	10/2018	Lai	D26/28

(Continued)

(**) Term: **15 Years**

Primary Examiner — Steven J Czyz

(21) Appl. No.: **35/510,794**

(74) *Attorney, Agent, or Firm* — Mintz Levin Cohn Ferris
Glovsky and Popeo, P.C.; Peter F. Corless

(22) Filed: **Jul. 28, 2020**

(80) **Hague Agreement Data**

(57) **CLAIM**

Int. Filing Date: **Jul. 28, 2020**
Int. Reg. No.: **DM/211142**
Int. Reg. Date: **Jul. 28, 2020**
Int. Reg. Pub. Date: **Nov. 20, 2020**

The ornamental design for a head lamp for automobile, as shown and described.

(30) **Foreign Application Priority Data**

DESCRIPTION

Jan. 30, 2020 (KR) 30-2020-0004125

(51) **LOC (13) Cl.** **26-06**

(52) **U.S. Cl.**
USPC **D26/28**

(58) **Field of Classification Search**

USPC D26/28, 29, 34, 35, 36
CPC F21S 41/00; F21S 41/14; F21S 41/141;
F21S 41/20; F21S 41/30; F21S 43/00;
F21S 43/10; F21S 43/14; F21S 43/15;
F21S 43/20; F21S 43/30; B60Q 1/26;
B60Q 1/2619; B60Q 1/22; B60Q 1/28;
B60Q 1/30; B60Q 1/34; B60Q 1/44;
B60Q 1/46

1. Head lamp for automobile

1.1 : Perspective

1.2 : Front

1.3 : Back

1.4 : Left

1.5 : Right

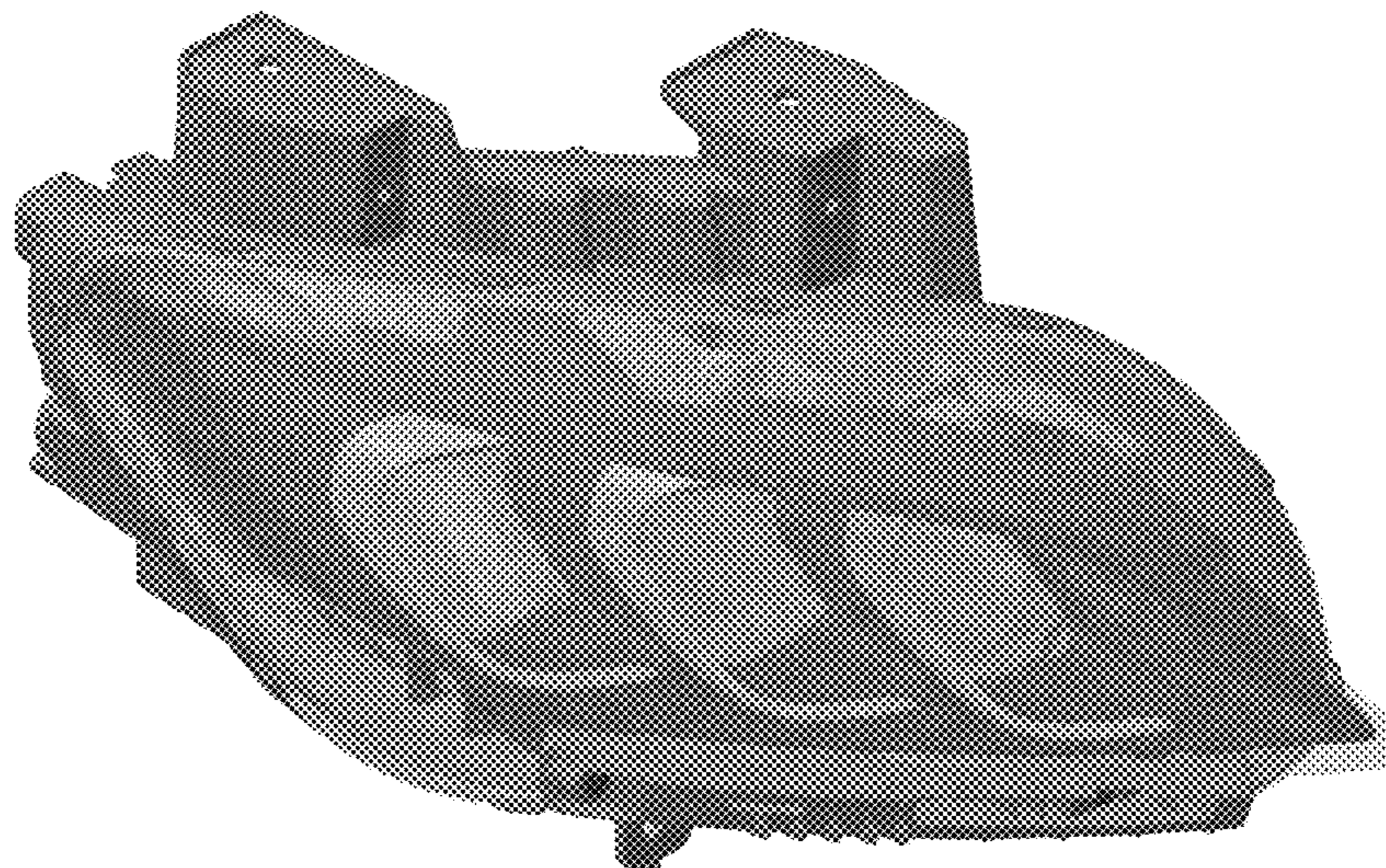
1.6 : Top

1.7 : Bottom

Reproduction 1.1 is a perspective view of a head lamp for automobile showing our new design; reproduction 1.2 is a front elevation view thereof; reproduction 1.3 is a back elevation view thereof; reproduction 1.4 is a left side elevation view thereof; reproduction 1.5 is a right side elevation view thereof; reproduction 1.6 is a top plan view thereof; and reproduction 1.7 is a bottom plan view thereof.

See application file for complete search history.

1 Claim, 7 Drawing Sheets



(56)

References Cited

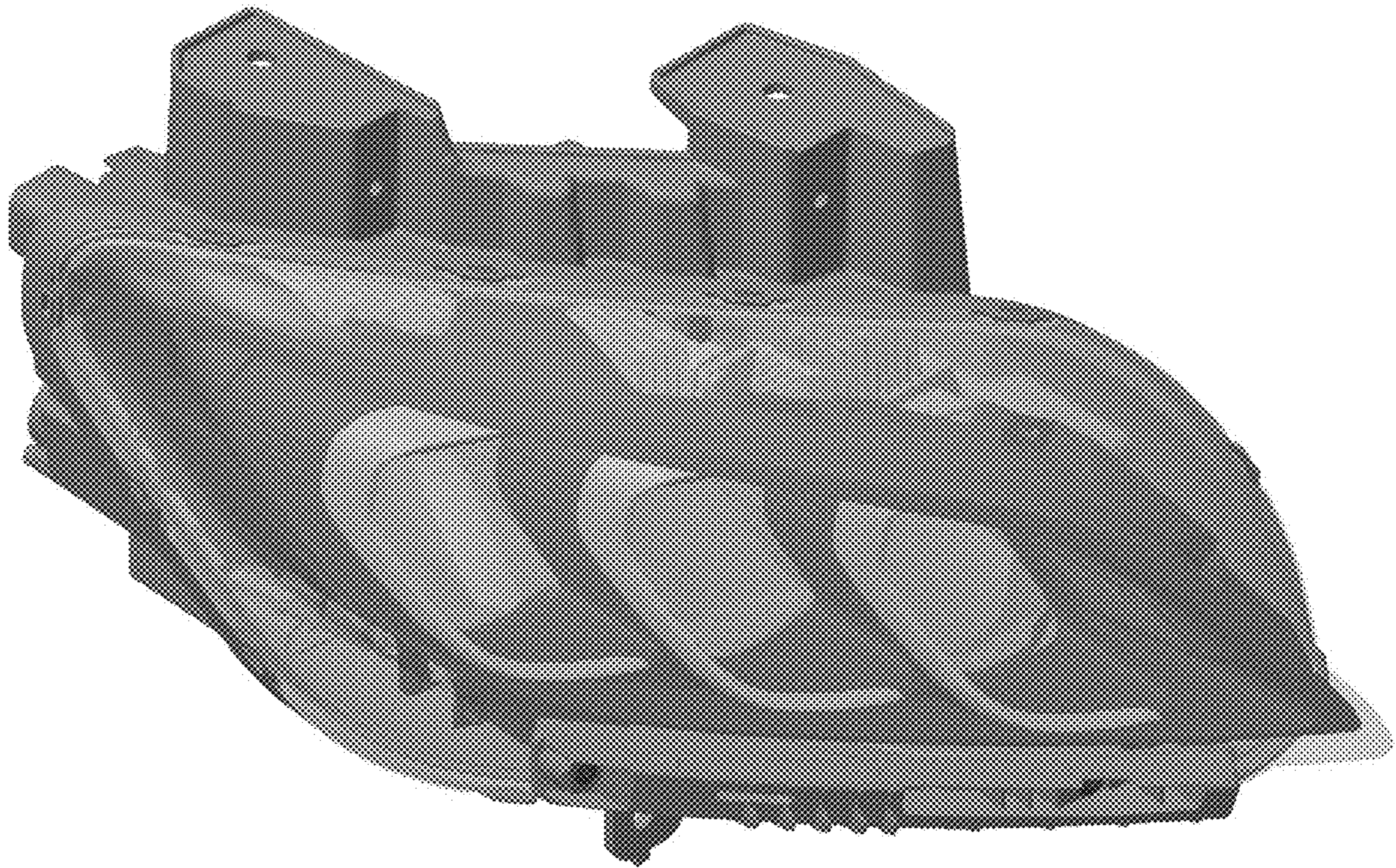
U.S. PATENT DOCUMENTS

D833,657 S * 11/2018 Kwon D26/28
 D833,658 S * 11/2018 Lee D26/28
 D834,225 S * 11/2018 Kwon D26/28
 D835,313 S * 12/2018 Jung D26/28
 D852,999 S * 7/2019 Allmendinger D26/28
 D855,845 S * 8/2019 Takei D26/28
 D857,953 S * 8/2019 Han D26/28
 D857,954 S * 8/2019 Han D26/28
 D867,638 S * 11/2019 Kong D26/28
 D869,701 S * 12/2019 Wu D26/28
 D869,707 S * 12/2019 Wu D26/28
 D869,713 S * 12/2019 Shim D26/35
 D870,328 S * 12/2019 Wu D26/28
 D870,934 S * 12/2019 Wu D26/28
 D870,936 S * 12/2019 Wu D26/28
 D901,733 S * 11/2020 Kim D26/28
 D902,458 S * 11/2020 Kim D26/28
 D903,909 S * 12/2020 Kimura D26/28
 D903,911 S * 12/2020 Kato D26/28
 D905,306 S * 12/2020 Lai D26/28
 D905,880 S * 12/2020 Katou D26/28
 D908,260 S * 1/2021 Jeong D26/28
 D908,934 S * 1/2021 Sato D26/28
 D908,937 S * 1/2021 Chen D26/28
 D909,638 S * 2/2021 Wu D26/28
 D909,639 S * 2/2021 Chen D26/28
 D911,562 S * 2/2021 Lin D26/28

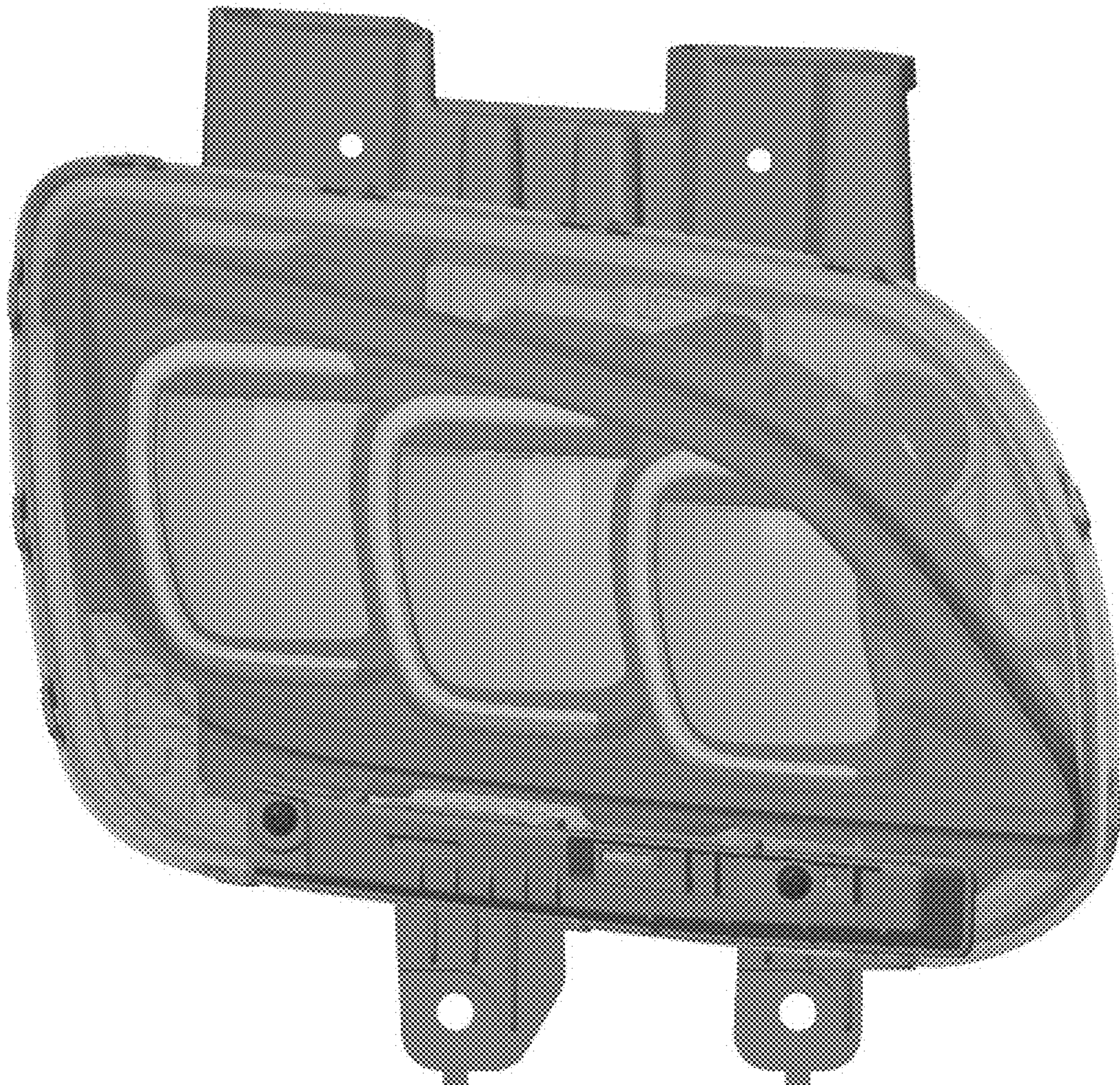
D912,859 S * 3/2021 Wu D26/28
 D912,862 S * 3/2021 Wu D26/28
 D912,864 S * 3/2021 Wu D26/28
 D912,875 S * 3/2021 Wu D26/28
 D914,255 S * 3/2021 Hong D26/28
 D914,933 S * 3/2021 Kim D26/28
 D920,551 S * 5/2021 Lin D26/28
 D921,241 S * 6/2021 He D26/28
 D921,242 S * 6/2021 He D26/28
 D921,243 S * 6/2021 He D26/28
 D921,939 S * 6/2021 He D26/28
 D921,941 S * 6/2021 Lin D26/28
 D921,942 S * 6/2021 Lin D26/28
 D921,943 S * 6/2021 Lin D26/28
 D921,944 S * 6/2021 Lin D26/28
 D922,622 S * 6/2021 Kato D26/28
 D922,631 S * 6/2021 Kim D26/28
 D923,827 S * 6/2021 Loisch D26/28
 D923,828 S * 6/2021 Loisch D26/28
 D923,830 S * 6/2021 Chen D26/28
 D925,079 S * 7/2021 Wu D26/28
 D925,792 S * 7/2021 Lin D26/28
 D925,795 S * 7/2021 Yang D26/28
 D928,353 S * 8/2021 Huenink D26/28
 D928,354 S * 8/2021 Huenink D26/28
 D928,361 S * 8/2021 Lin D26/28
 D928,362 S * 8/2021 Lin D26/28
 D928,363 S * 8/2021 Lin D26/28
 D929,000 S * 8/2021 Wu D26/28
 D930,198 S * 9/2021 Wu D26/28

* cited by examiner

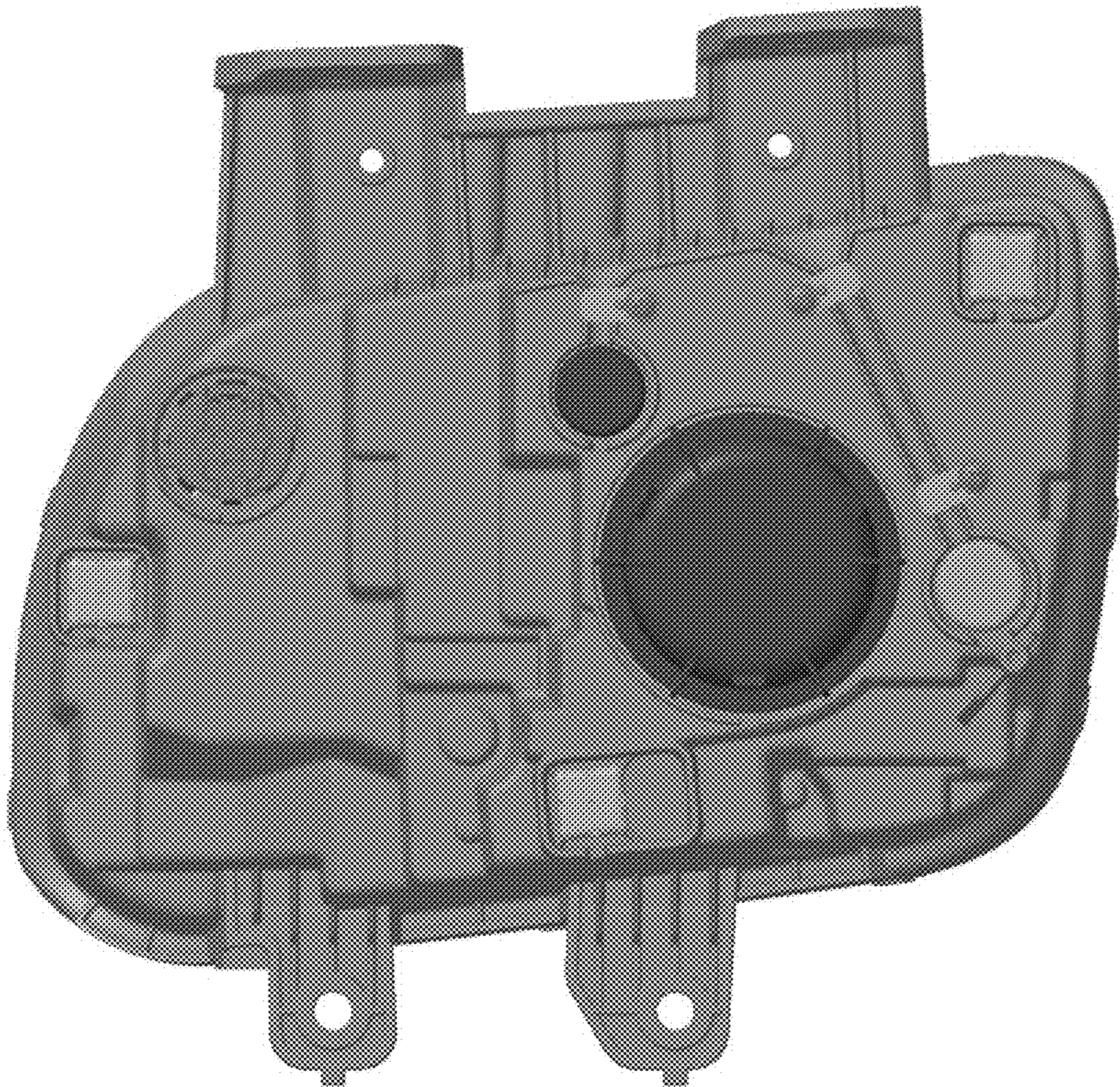
1.1



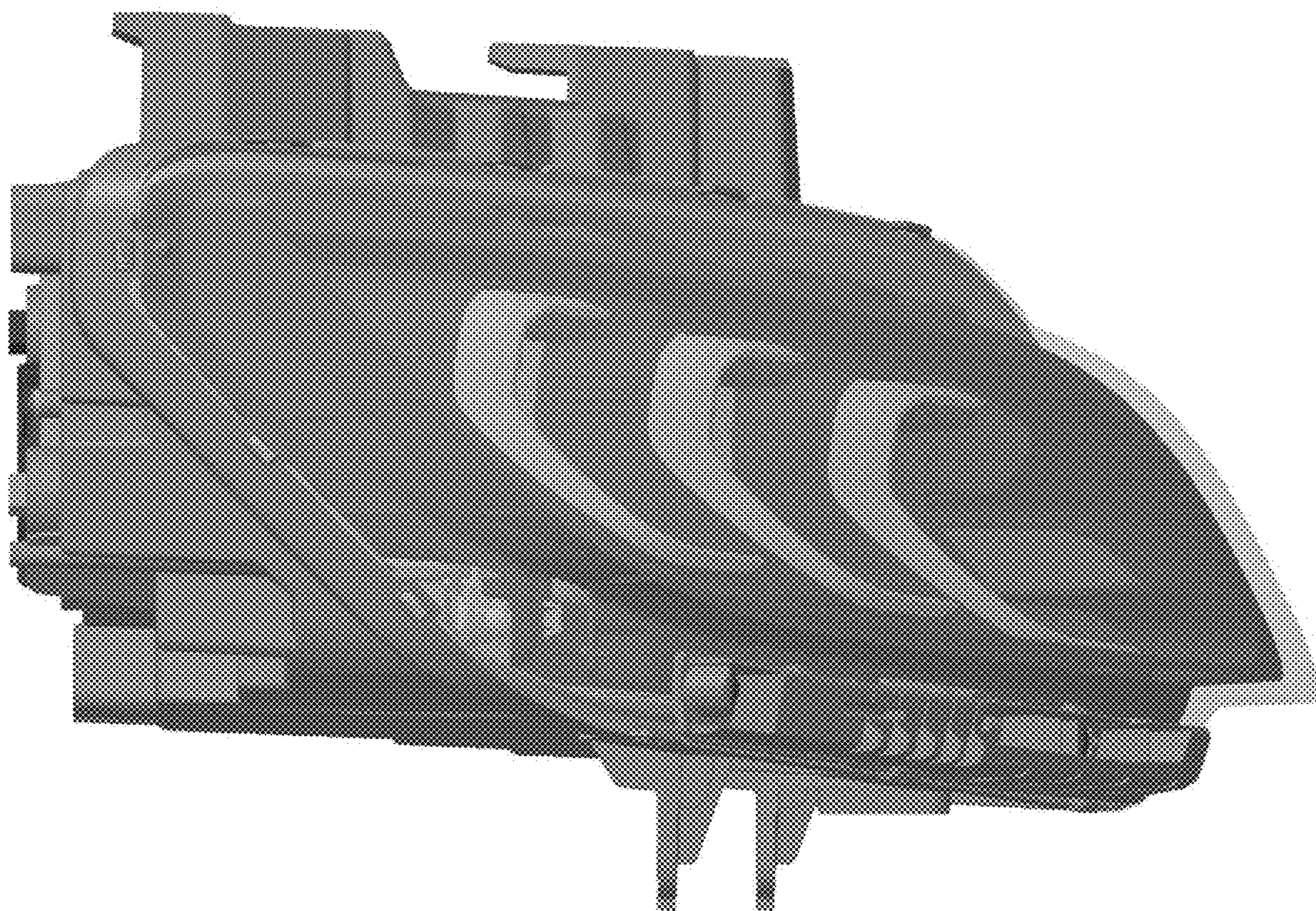
1.2



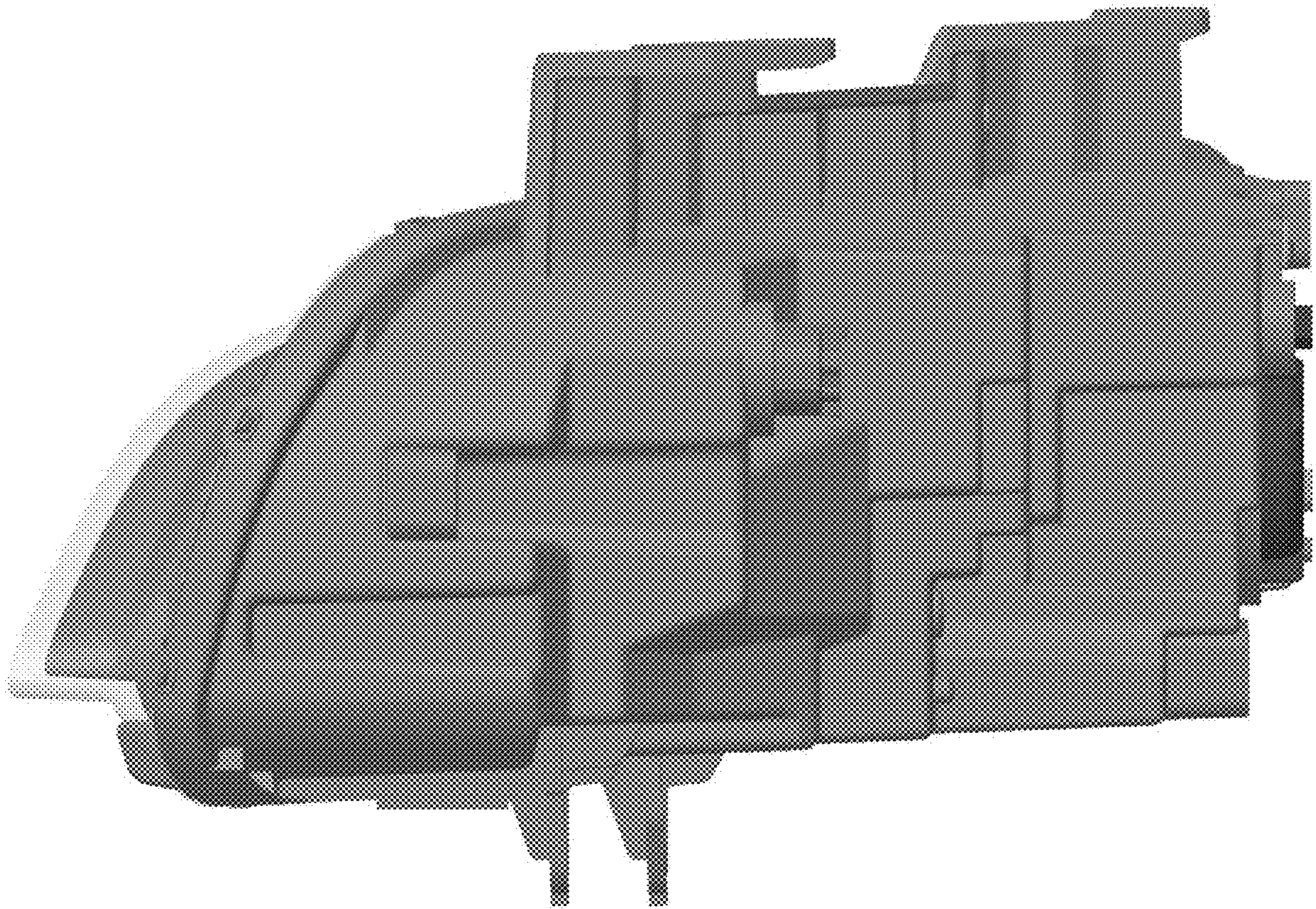
1.3



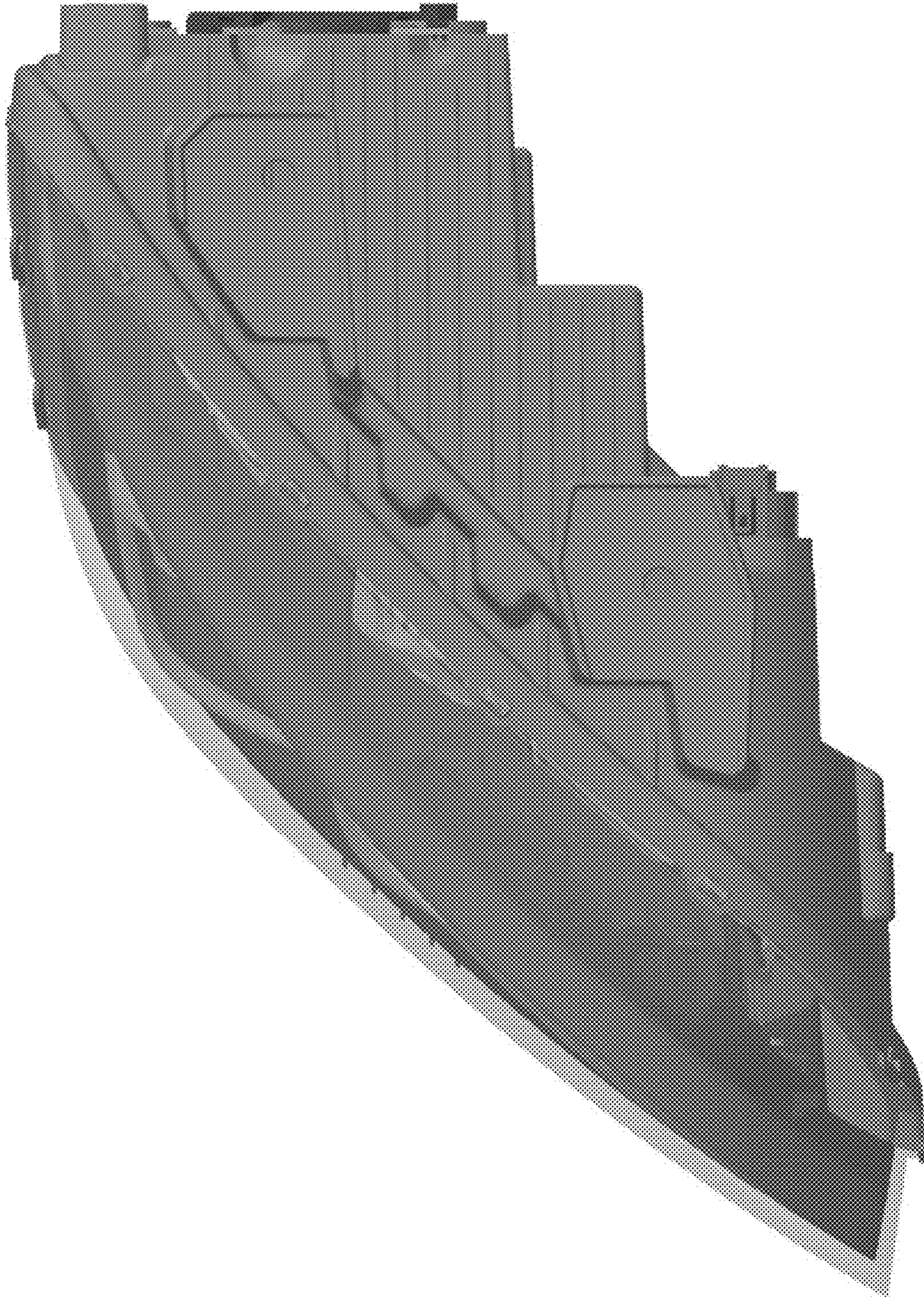
1.4



1.5



1.6



1.7

