



US00D947425S

(12) **United States Design Patent**
Seichter et al.

(10) **Patent No.:** **US D947,425 S**
(45) **Date of Patent:** **** Mar. 29, 2022**

(54) **VEHICLE LAMP**

(71) Applicant: **OSRAM GmbH**, Munich (DE)

(72) Inventors: **Christian Seichter**, Herbrechtingen (DE); **Kevin Bayer**, Heidenheim (DE); **Hans Guenther Mayer**, Hermaringen (DE); **Ralf Lindner**, Neresheim (DE)

(73) Assignee: **OSRAM GmbH**, Munich (DE)

(**) Term: **15 Years**

(21) Appl. No.: **29/751,542**

(22) Filed: **Sep. 22, 2020**

(51) **LOC (13) Cl.** **26-06**

(52) **U.S. Cl.**
USPC **D26/28**

(58) **Field of Classification Search**
USPC D26/28-36, 139
CPC F21S 48/00; F21S 48/10; F21S 48/115;
F21S 48/225; F21S 48/1233; F21S 48/1266; F21S 48/1388; F21S 48/2268;
F21V 5/00; F21V 21/04; F21V 29/004;
B60Q 9/13; B60Q 9/135; B60Q 9/1375
See application file for complete search history.

(56) **References Cited**

U.S. PATENT DOCUMENTS

D710,042 S * 7/2014 Georgitsis D26/28
D713,570 S * 9/2014 Yoshida D26/28

D765,288 S * 8/2016 Ueda D26/28
D769,490 S * 10/2016 Ma D26/28
D772,446 S * 11/2016 Largent D26/28
D777,961 S * 1/2017 Wu D26/28
D841,205 S * 2/2019 Dai D26/28
D846,775 S * 4/2019 Yan D26/28

* cited by examiner

Primary Examiner — Marcus A Jackson

(74) *Attorney, Agent, or Firm* — Edward S. Podszus

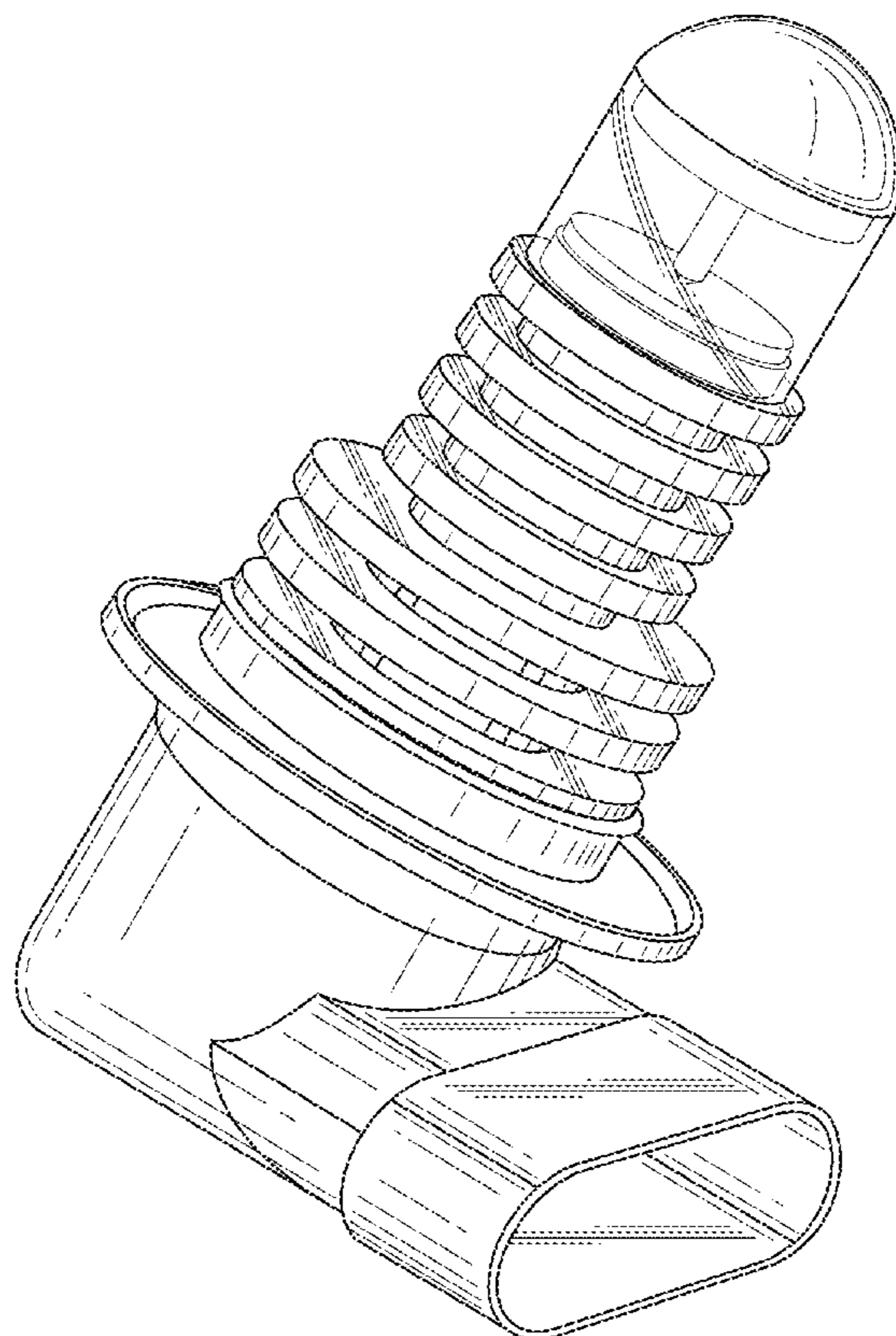
(57) **CLAIM**

The ornamental design for a vehicle lamp, as shown and described.

DESCRIPTION

FIG. 1 is a perspective view of the new design for a vehicle lamp as seen from the side, top;
FIG. 2 is a side elevational view thereof, the opposite side being the same;
FIG. 3 is a rear elevational view thereof;
FIG. 4 is a front elevational view thereof;
FIG. 5 is a top plan view thereof; and,
FIG. 6 is a bottom plan view thereof.

1 Claim, 5 Drawing Sheets



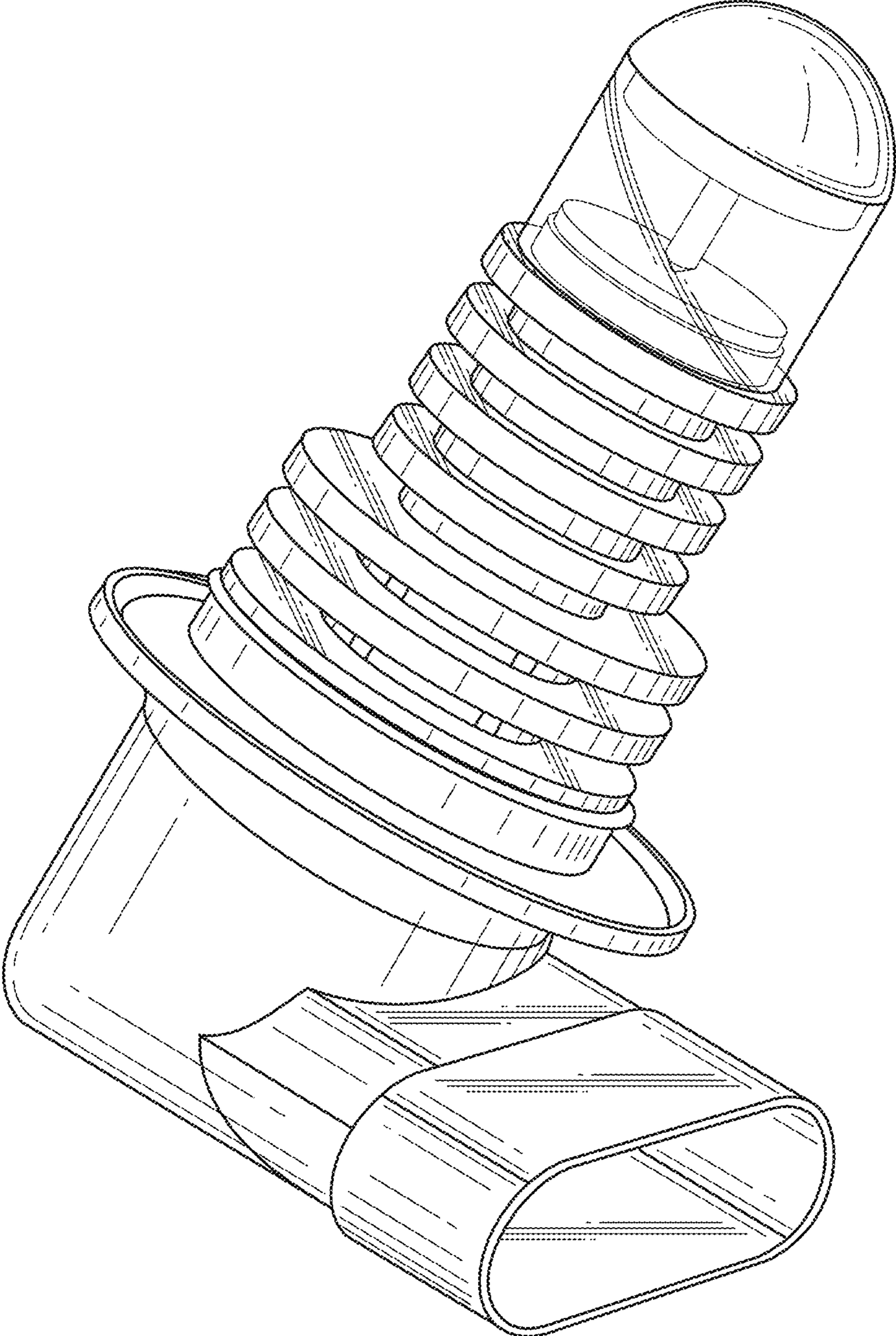


FIG. 1

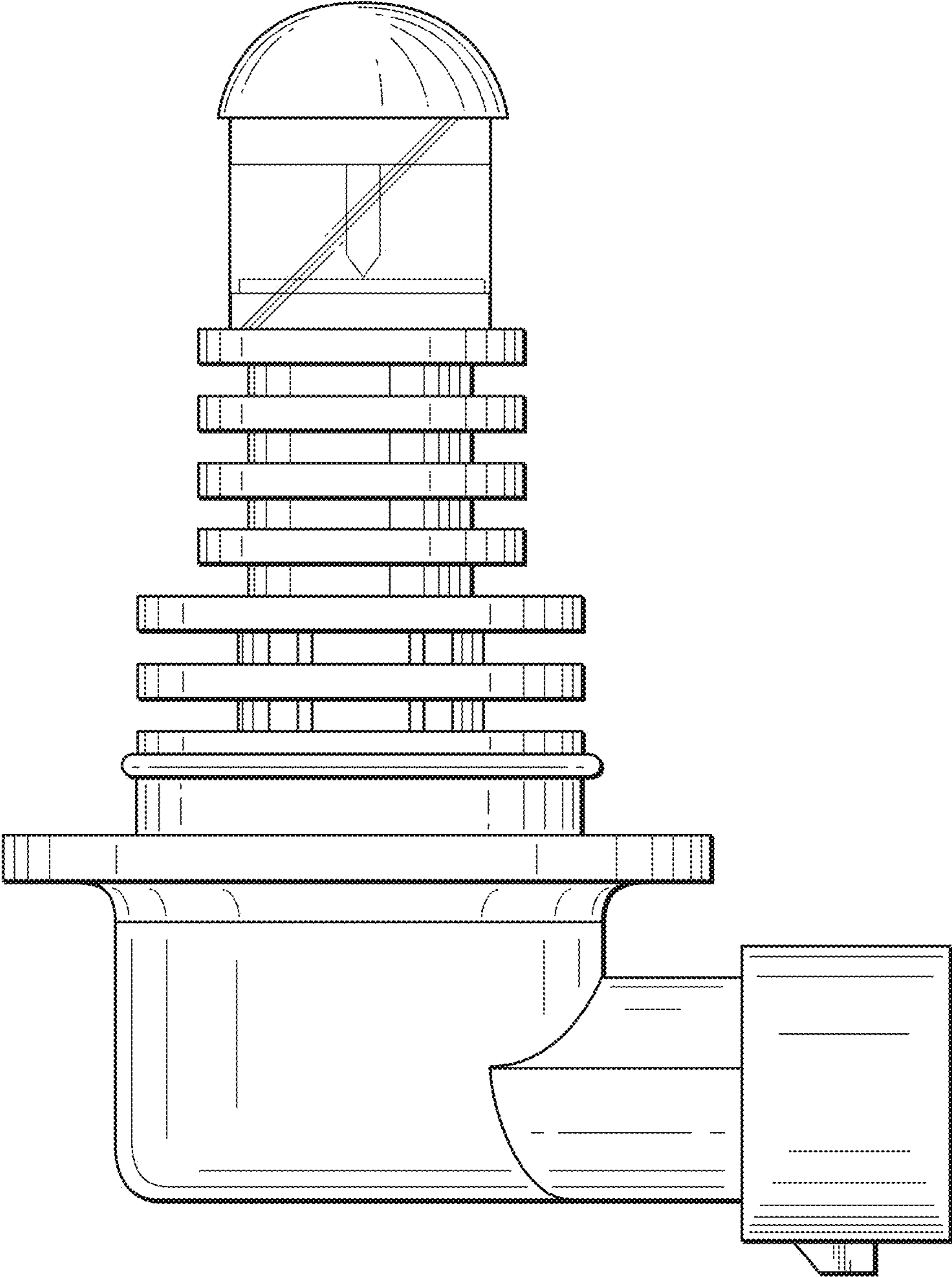


FIG. 2

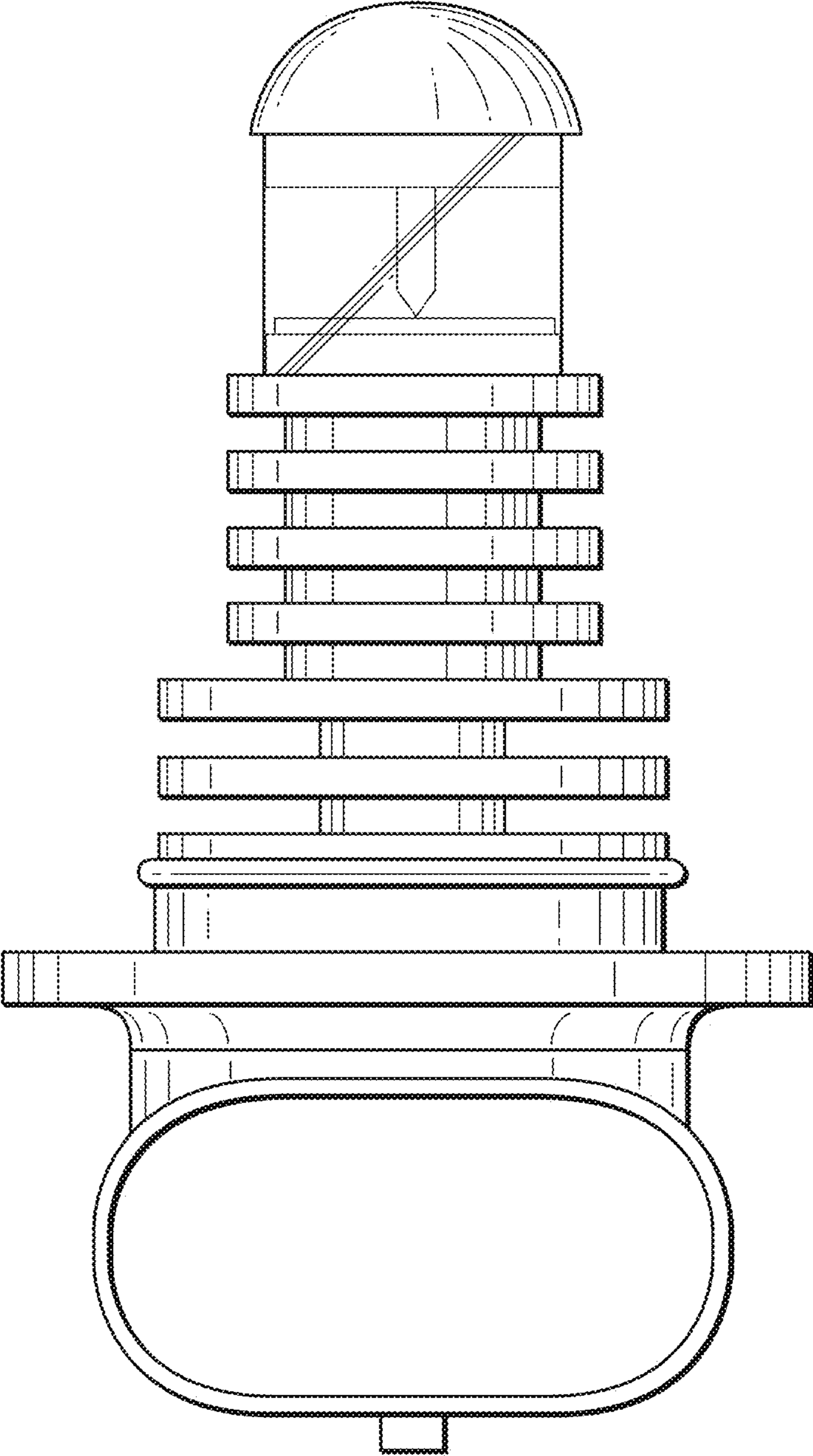


FIG. 3

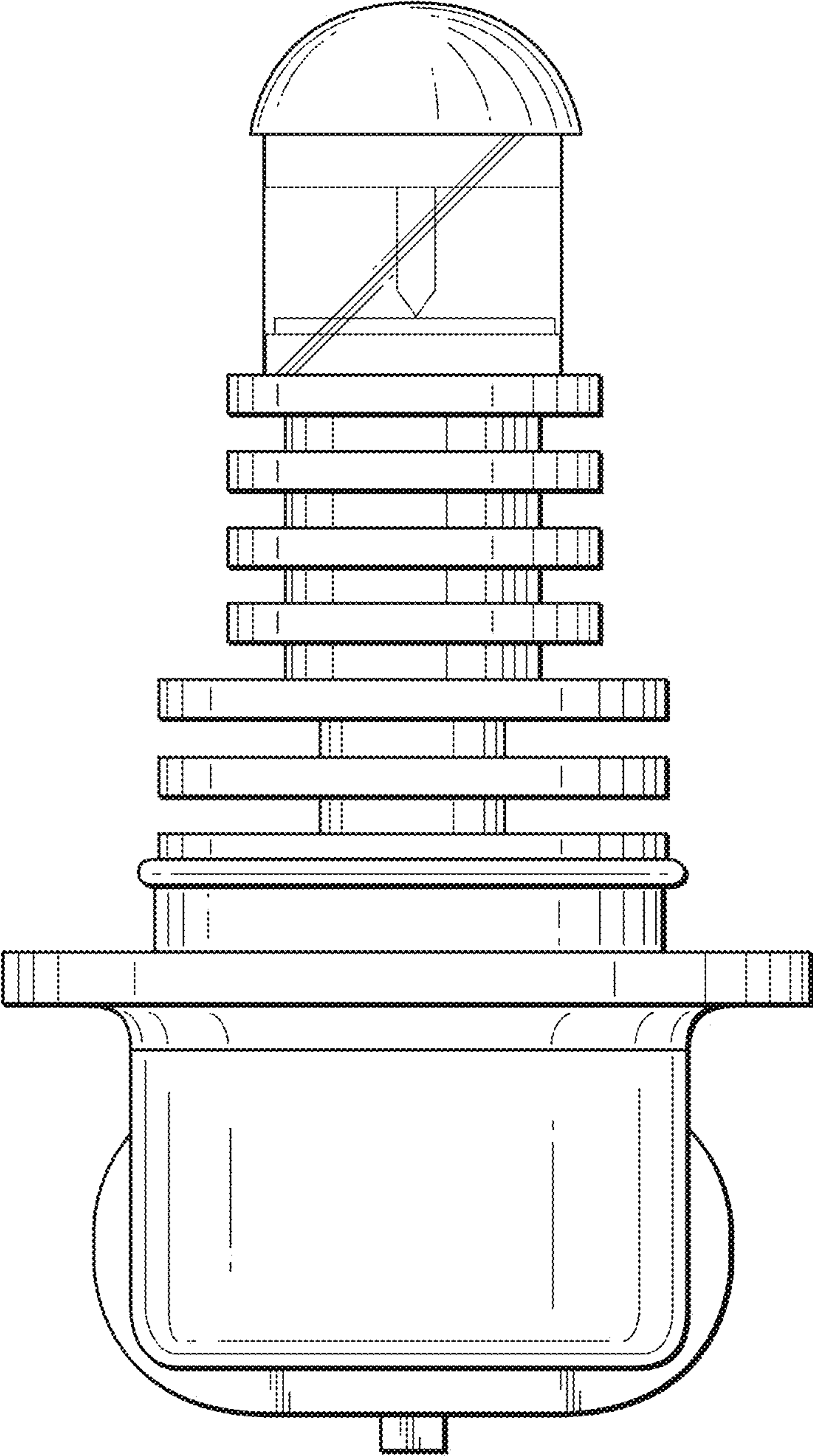


FIG. 4

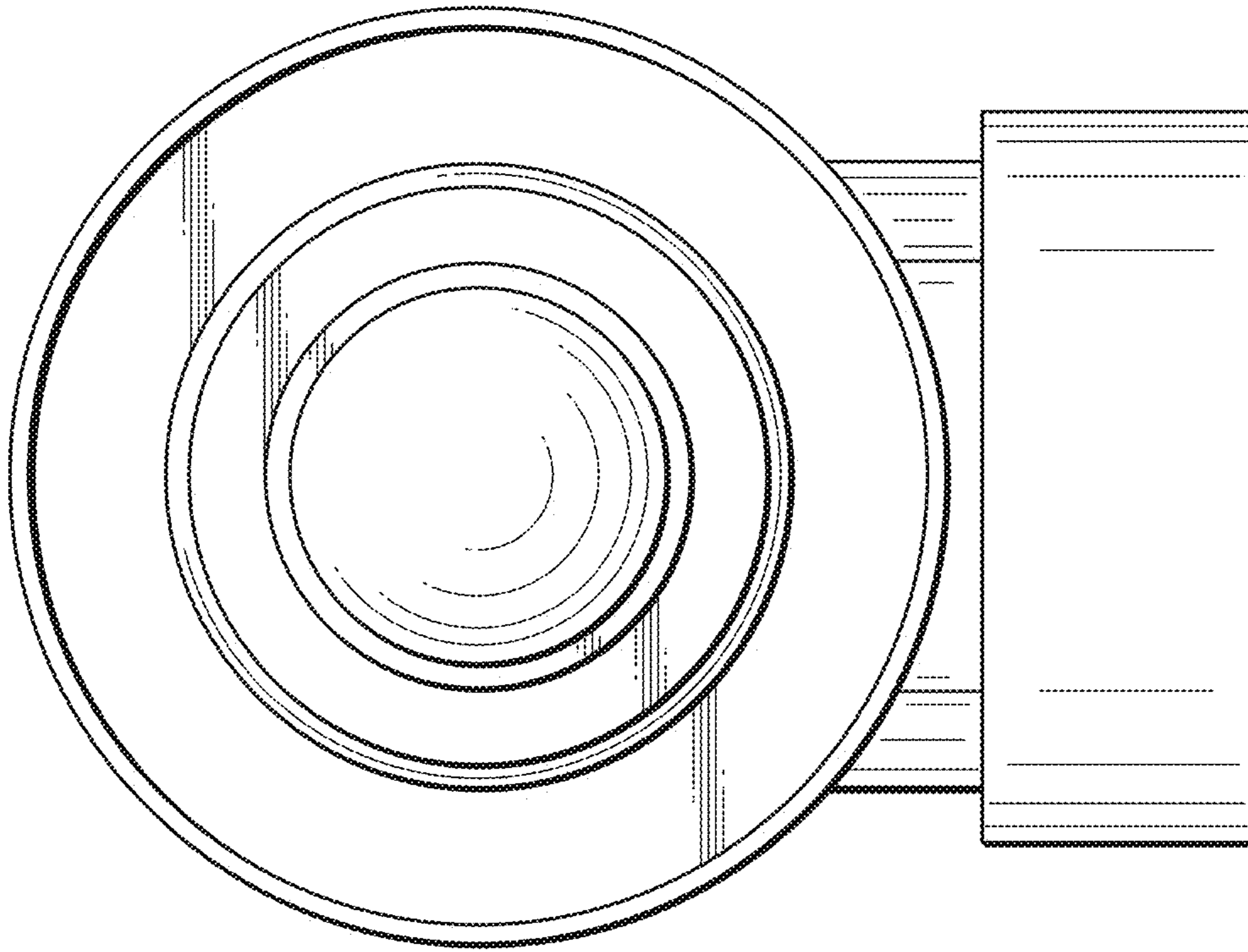


FIG. 5

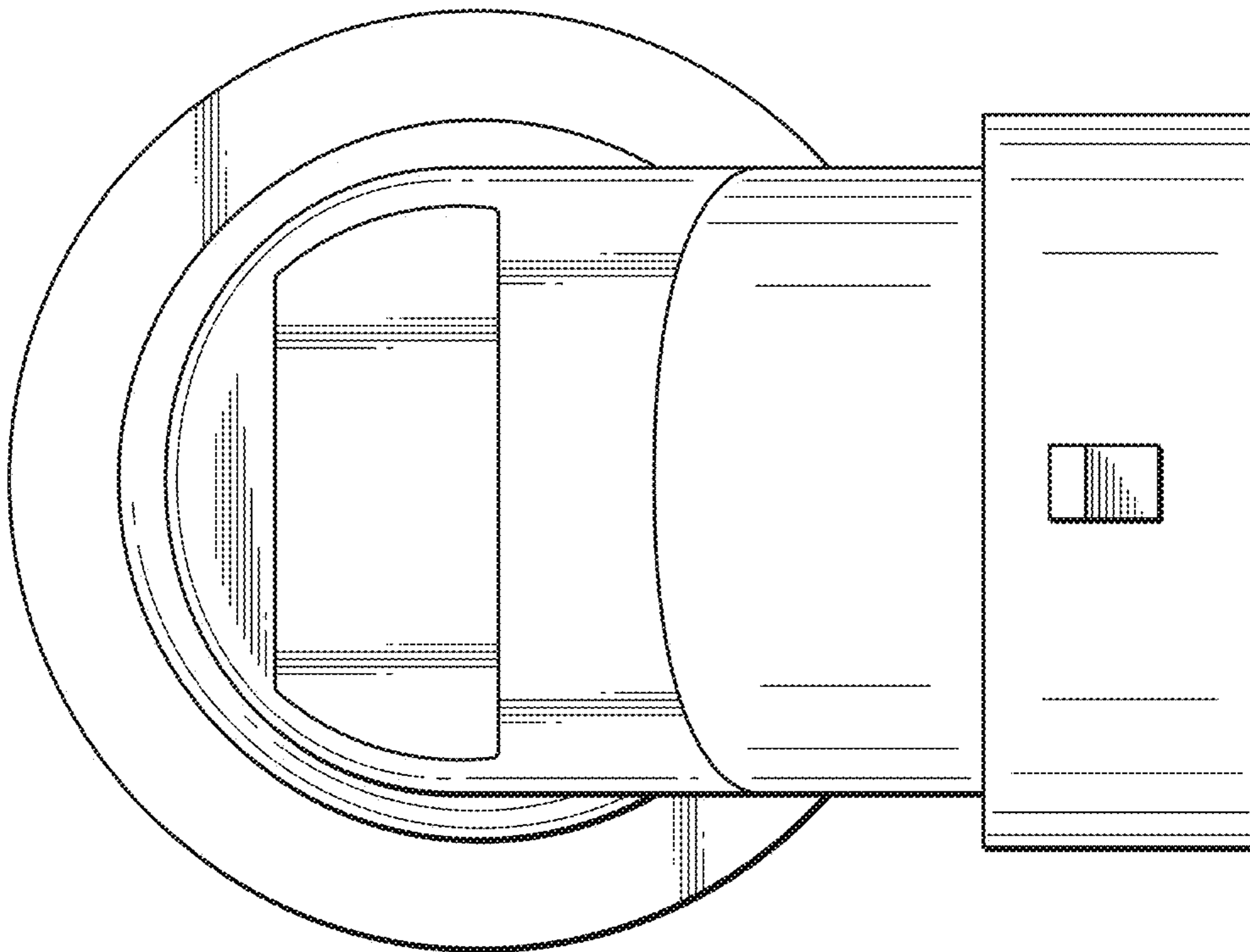


FIG. 6